



US00D873956S

(12) **United States Design Patent** (10) **Patent No.:** **US D873,956 S**
Chalfant et al. (45) **Date of Patent:** **** Jan. 28, 2020**

(54) **FISHING TOOL**
(71) Applicant: **Smith's Consumer Products, Inc.**, Hot Springs, AR (US)
(72) Inventors: **Louis Chalfant**, Hot Springs, AR (US); **Ricky L. Dukes**, Knoxville, TN (US)
(73) Assignee: **Smith's Consumer Products, Inc.**, Hot Springs, AR (US)

D575,130 S 8/2008 Smith
D680,845 S 4/2013 Smith
D707,789 S * 6/2014 Jones D22/118
D804,608 S * 12/2017 Menard-Oxman D22/149
2010/0263132 A1* 10/2010 Anderson A01K 97/00
7/106

FOREIGN PATENT DOCUMENTS

CA 142214 4/2012
EP 001915612-0001 11/2011

(**) Term: **15 Years**
(21) Appl. No.: **29/670,263**
(22) Filed: **Nov. 14, 2018**
(51) **LOC (12) Cl.** **22-05**
(52) **U.S. Cl.**
USPC **D22/149**
(58) **Field of Classification Search**
USPC D22/119-124; 43/4, 17.5, 53.5;
362/119; 81/463, 489; 7/106, 125, 132,
7/158, 164, 168
CPC A01K 97/00; A01K 97/18
See application file for complete search history.

OTHER PUBLICATIONS

Product Listing for "2-Step Knife Sharpener," <https://www.smithsproducts.com/2-step-knife-sharpener> (last accessed: Oct. 4, 2018).

* cited by examiner

Primary Examiner — Catherine R Oliver-Garcia
(74) *Attorney, Agent, or Firm* — Richard Blakely Glasgow

(57) **CLAIM**

The ornamental design for a fishing tool, as shown and described.

(56) **References Cited**

U.S. PATENT DOCUMENTS

D178,320 S * 7/1956 Franc D22/149
D240,127 S * 6/1976 McDonald D22/149
5,092,074 A * 3/1992 Zincke A01K 97/00
43/53.5
5,136,744 A * 8/1992 Allsop A01K 97/00
7/106
5,207,014 A * 5/1993 Panella A01K 97/00
43/4
5,568,698 A * 10/1996 Harding A01K 97/00
362/119
6,045,234 A * 4/2000 Leeds A01K 97/18
362/119
D497,405 S * 10/2004 Boone D22/149
D499,004 S 11/2004 Smith
D553,221 S * 10/2007 Rustowicz D22/149

DESCRIPTION

FIG. 1 is a front perspective view of the present invention. FIG. 2 is a rear perspective view of the present invention. FIG. 3 is a front view of the present invention. FIG. 4 is a rear view of the present invention. FIG. 5 is a right side view of the present invention. FIG. 6 is a left side view of the present invention. FIG. 7 is a top view of the present invention; and, FIG. 8 is a bottom view of the present invention. The broken lines shown in the drawings indicate structure and features which form no part of the claimed design. The invention pertains to an ornamental design for an article of manufacture, which can be scaled to different sizes.

1 Claim, 6 Drawing Sheets

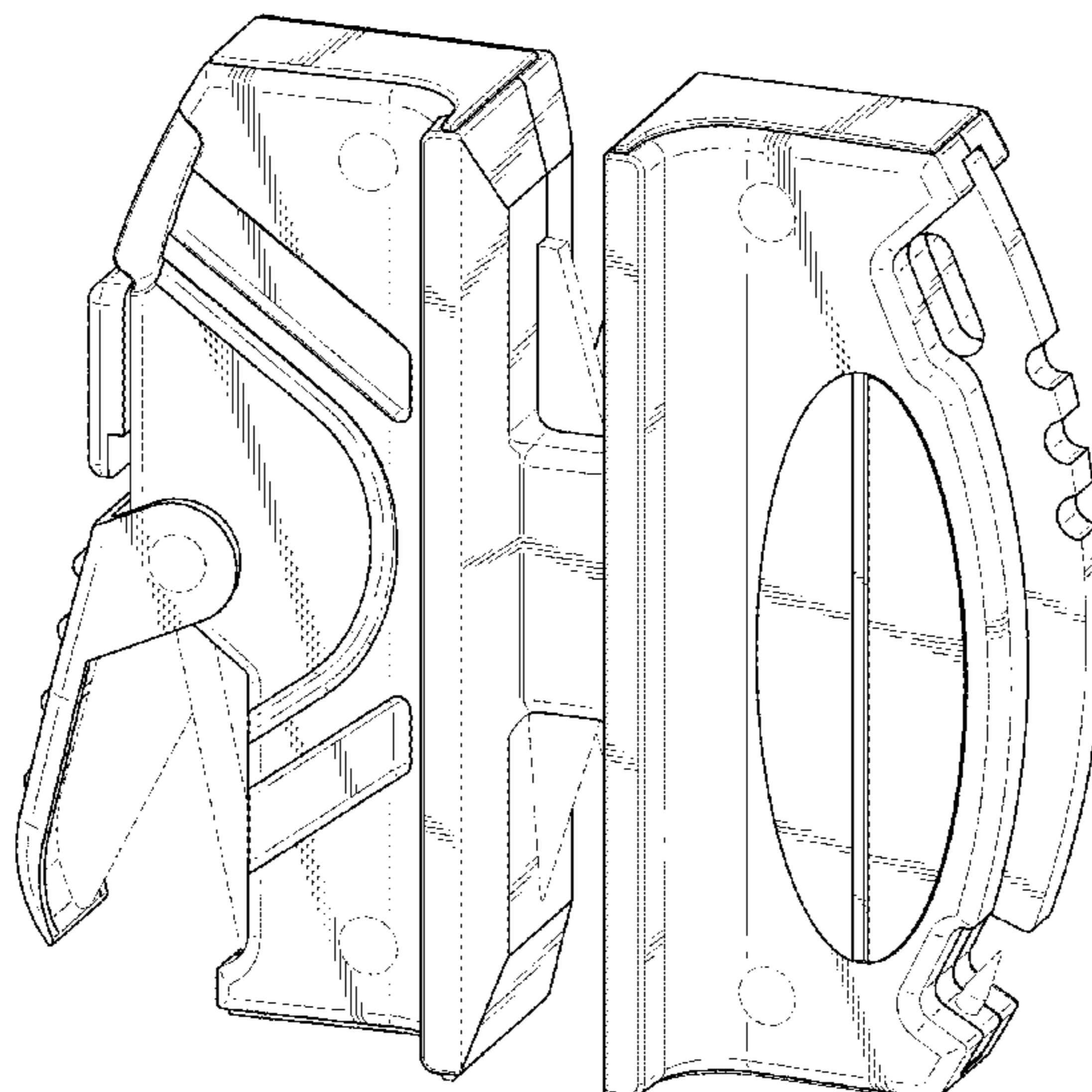


FIG. 1

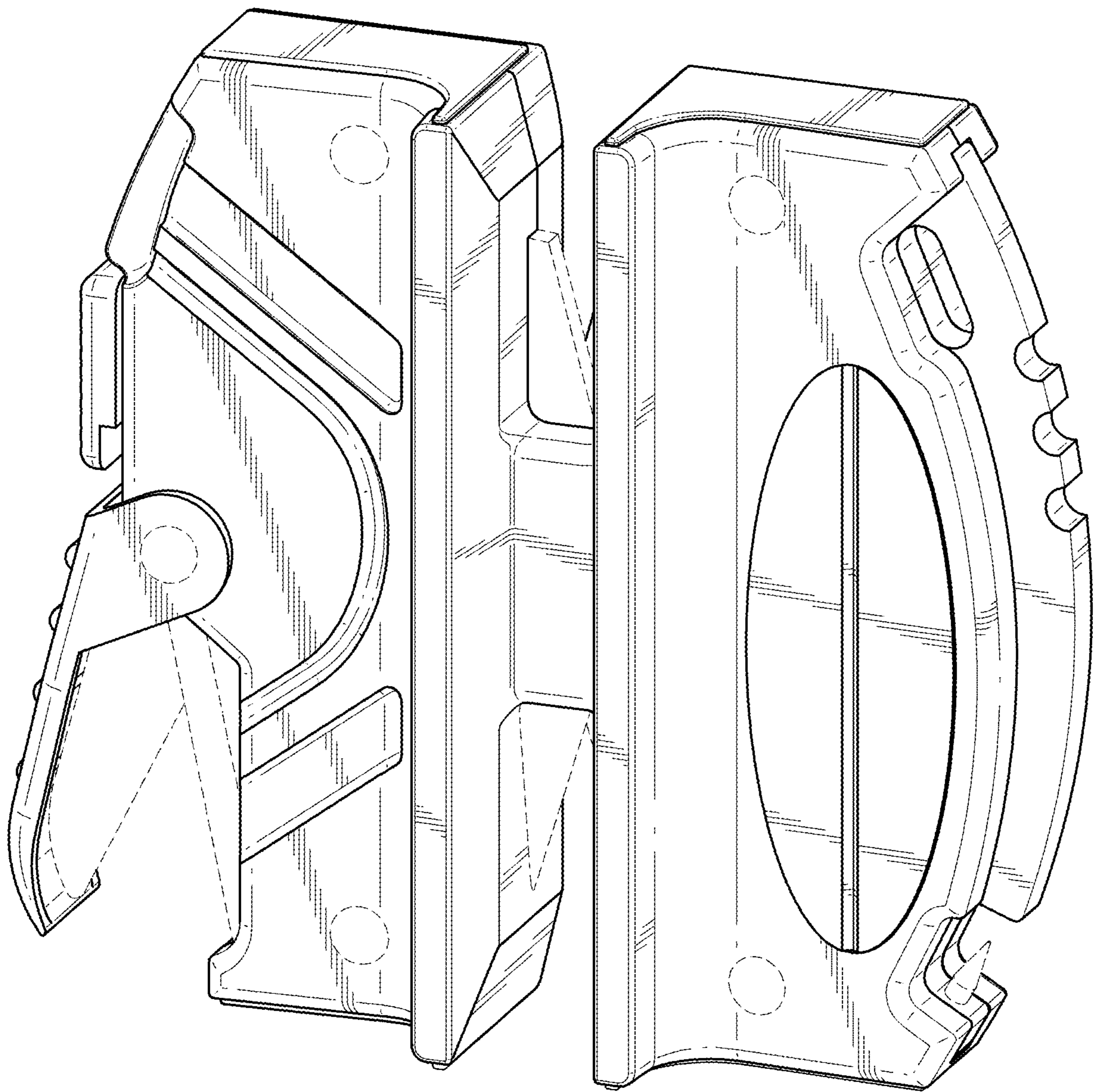


FIG. 2

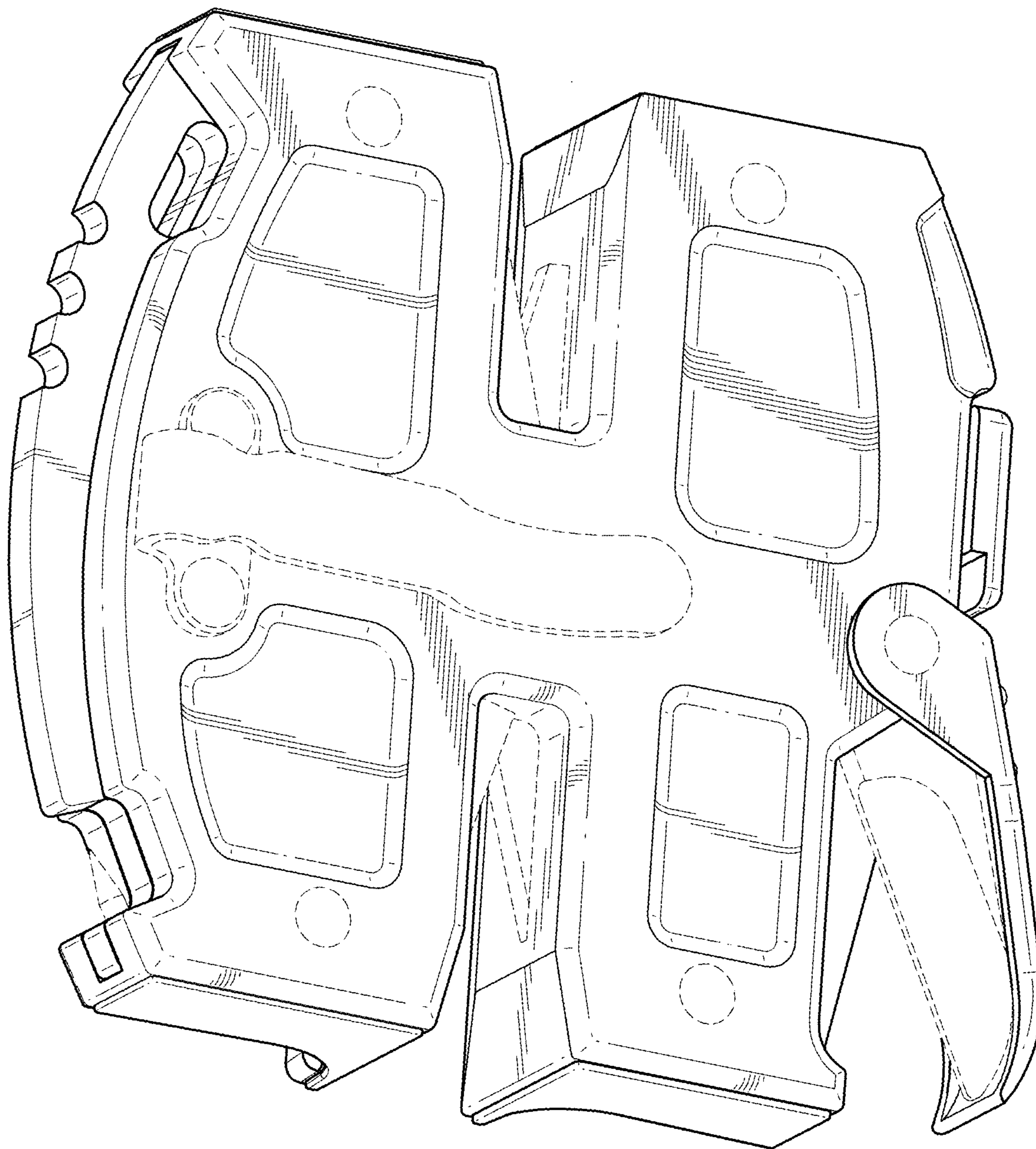


FIG. 3

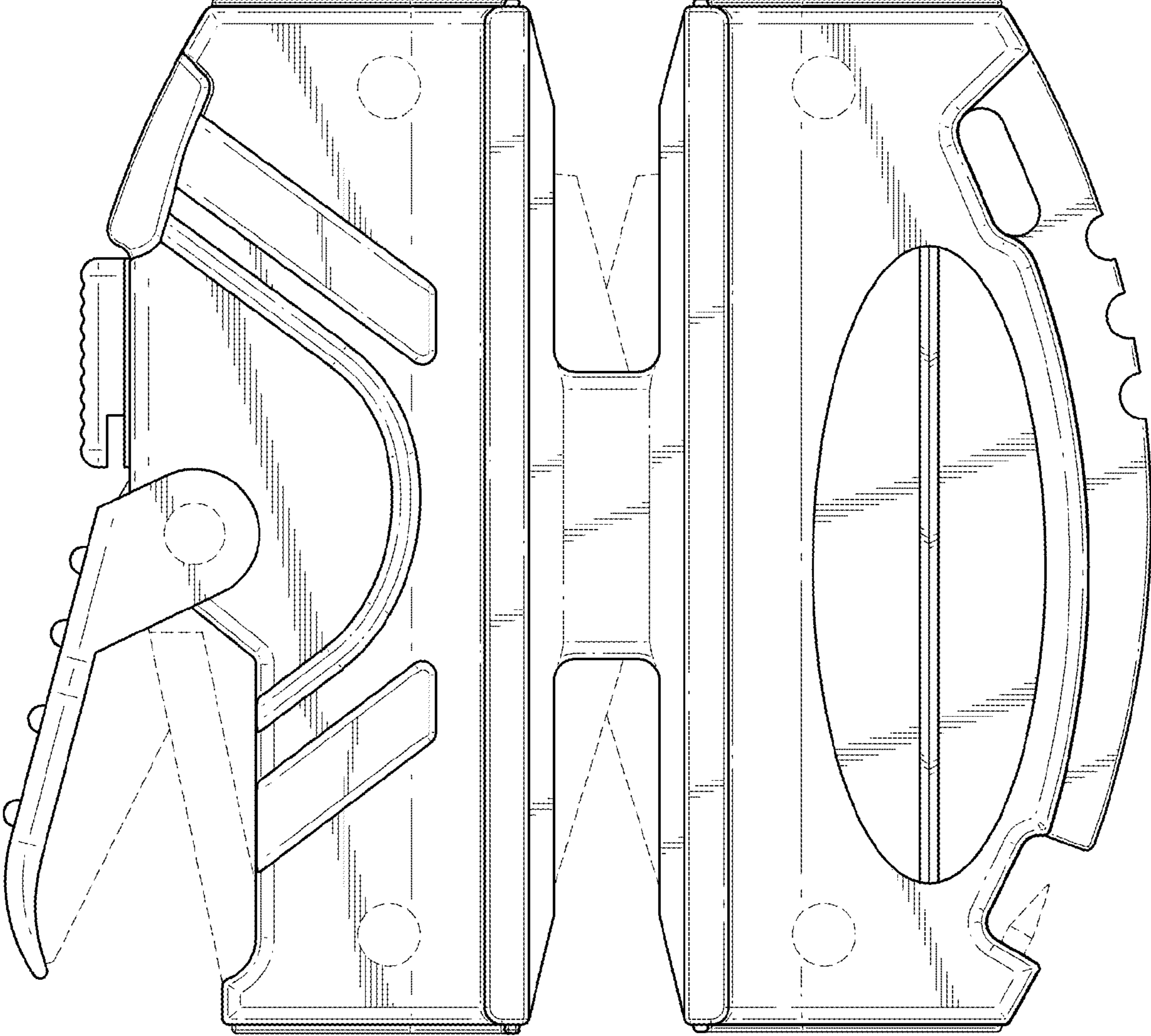


FIG. 4

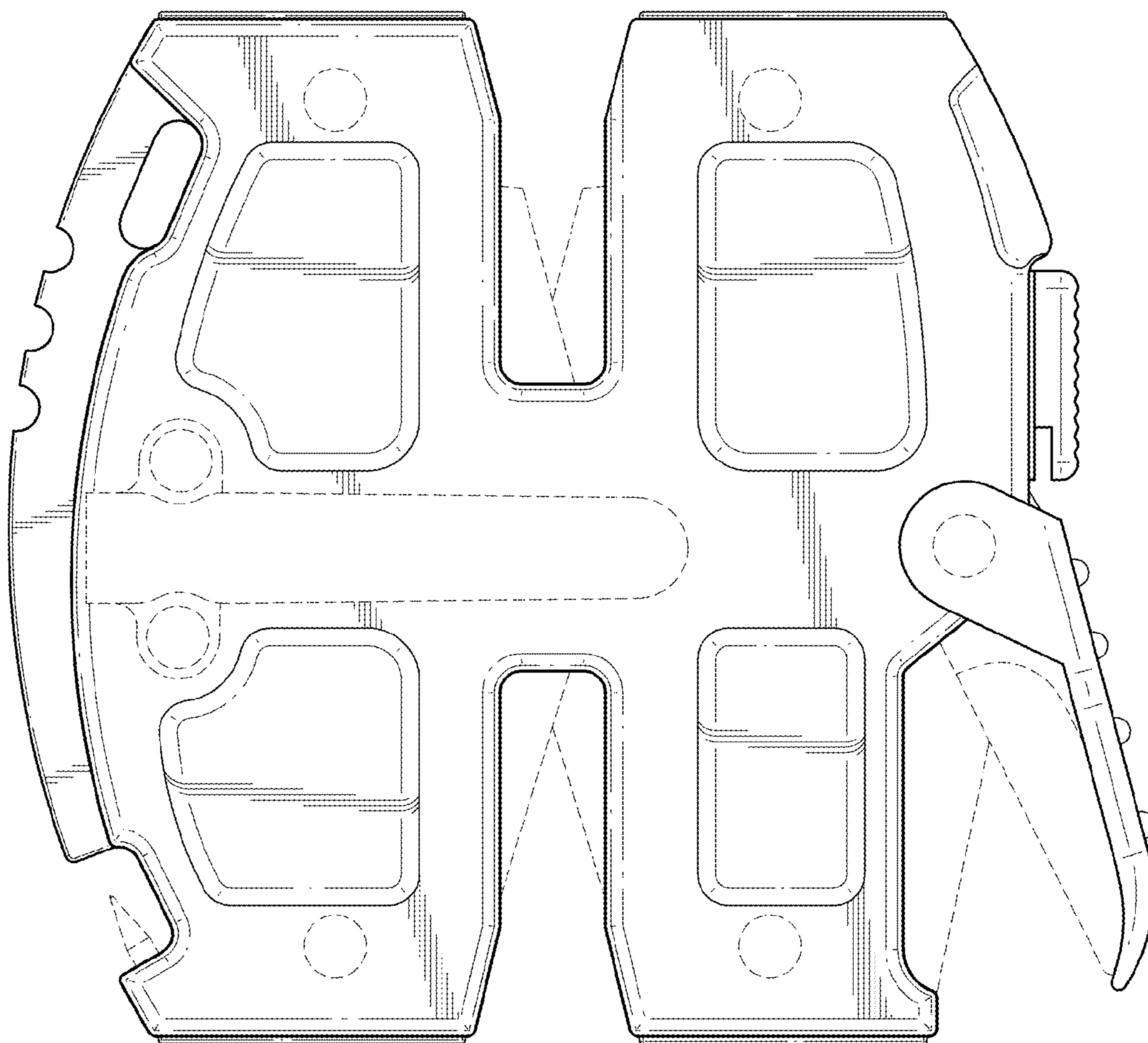


FIG. 5

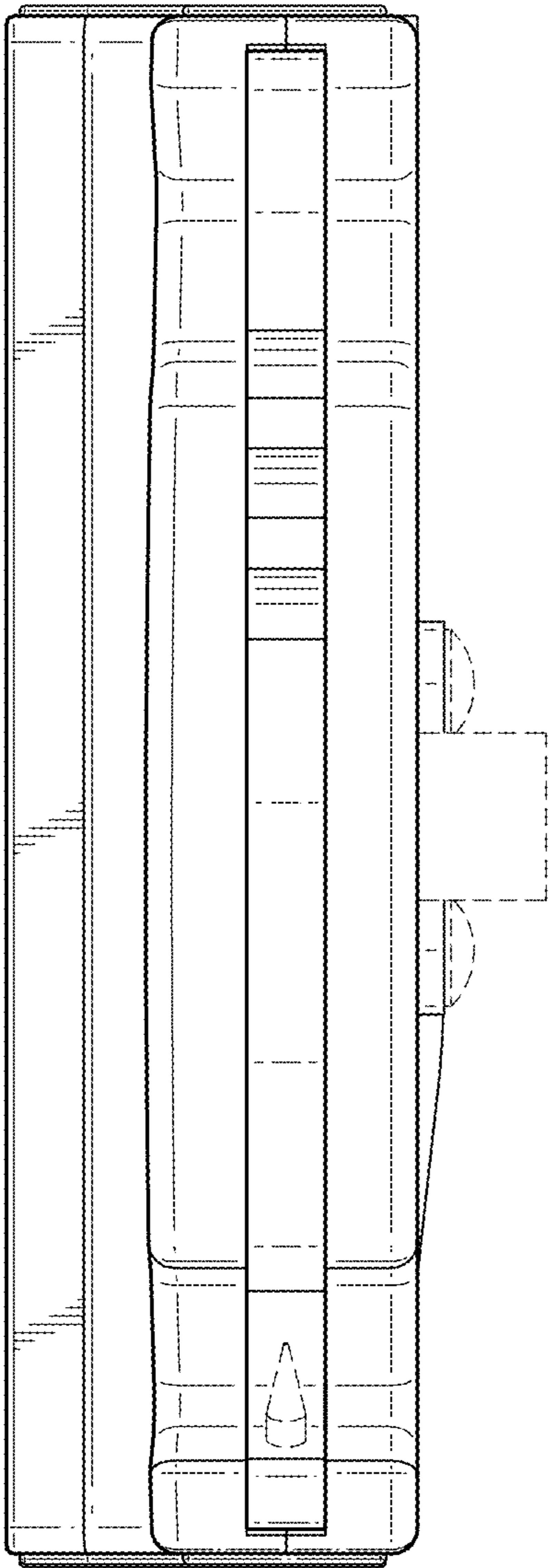


FIG. 6

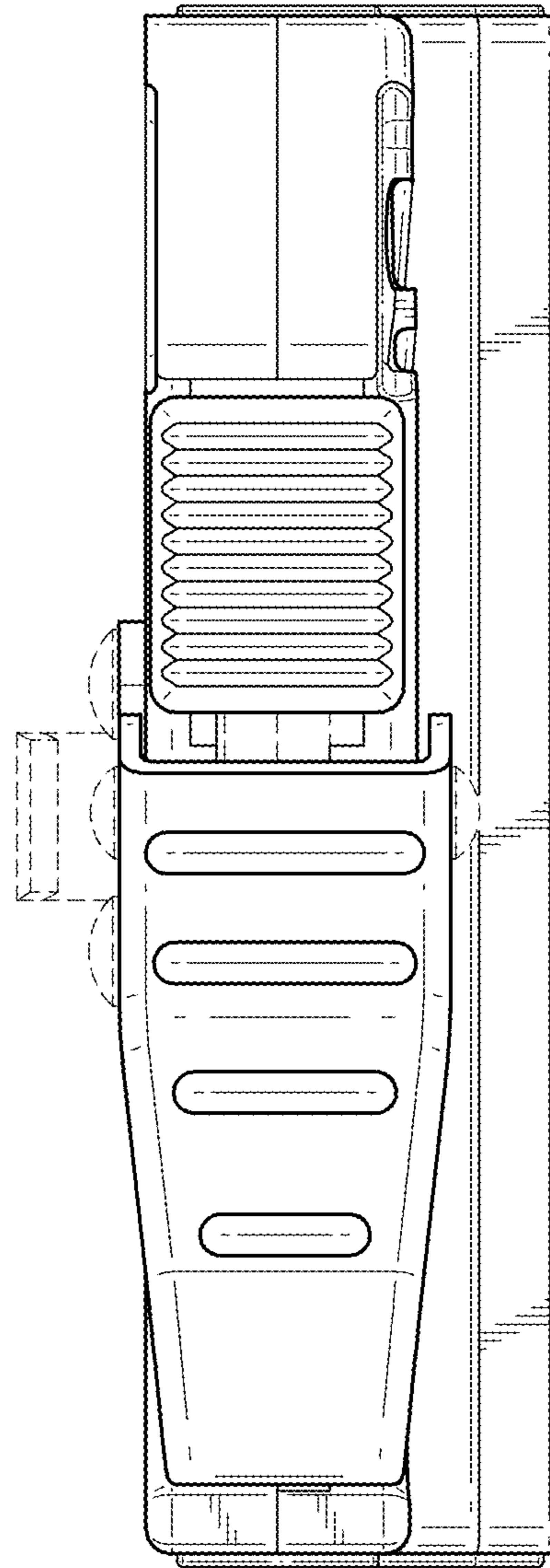


FIG. 7

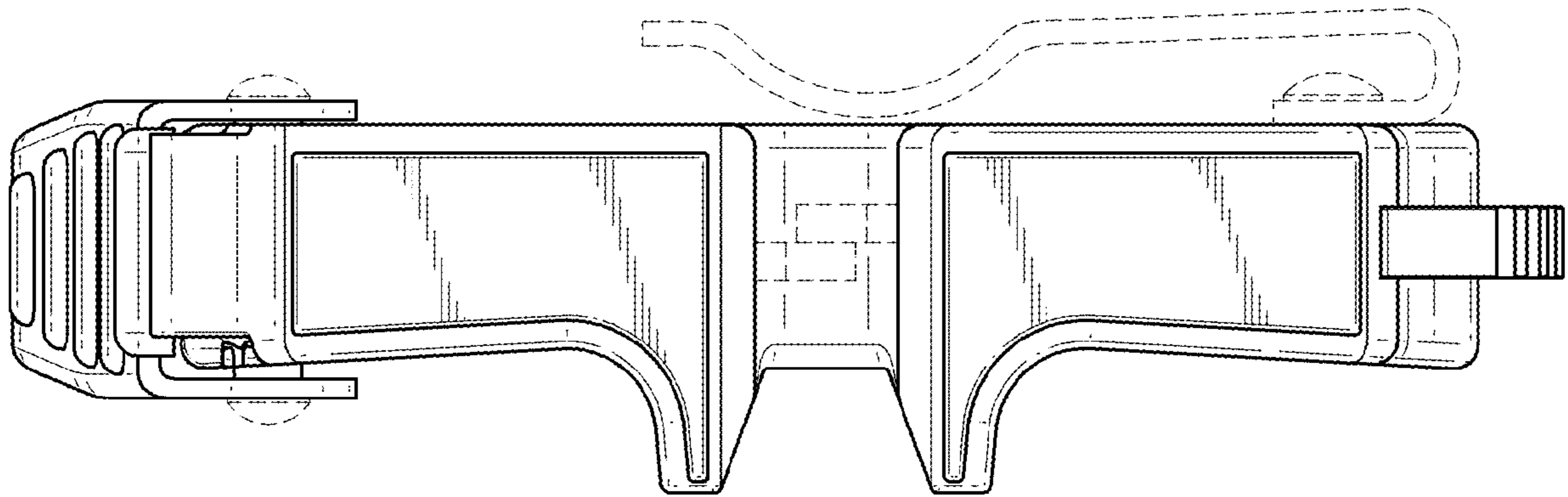


FIG. 8

