



US00D873954S

(12) **United States Design Patent**
Furbush, Jr.

(10) **Patent No.:** **US D873,954 S**
(45) **Date of Patent:** **** Jan. 28, 2020**

- (54) **ORGANIZATIONAL APPARATUS**
- (71) Applicant: **Norman C. Furbush, Jr.**, Elm City, NC (US)
- (72) Inventor: **Norman C. Furbush, Jr.**, Elm City, NC (US)
- (**) Term: **15 Years**
- (21) Appl. No.: **29/677,771**
- (22) Filed: **Jan. 23, 2019**

- D430,261 S * 8/2000 Yong-Set D22/134
- D536,763 S * 2/2007 Friedrichs D22/134
- D659,385 S * 5/2012 Campbell D22/134

(Continued)

Primary Examiner — Catherine R Oliver-Garcia
(74) *Attorney, Agent, or Firm* — Aspire IP, LLC; Scott J. Hawranek

(57) **CLAIM**

I claim the ornamental design for an organizational apparatus, substantially as shown and described.

DESCRIPTION

FIG. 1 is a perspective view of an organizational apparatus in accordance with an embodiment of a present design; FIG. 2 is a right side elevation view thereof; FIG. 3 is a top plan view thereof; FIG. 4 is a left side elevation view thereof; FIG. 5 is a bottom plan view thereof; FIG. 6 is a front elevation view thereof; FIG. 7 is a rear elevation view thereof; FIG. 8 is a perspective view of an organizational apparatus in accordance with another embodiment of a present design; FIG. 9 is a right side elevation view thereof; FIG. 10 is a top plan view thereof; FIG. 11 is a left side elevation view thereof; FIG. 12 is a bottom plan view thereof; FIG. 13 is a front elevation view thereof; and, FIG. 14 is a rear elevation view thereof.

The features shown in broken or dashed lines in the drawings of each embodiment are included for the purpose of illustrating use and environment and form no part of the claimed design.

As indicated in the title, the article of manufacture to which the ornamental design has been applied is an organizational apparatus, a line management device, or a fishing line management device.

1 Claim, 8 Drawing Sheets

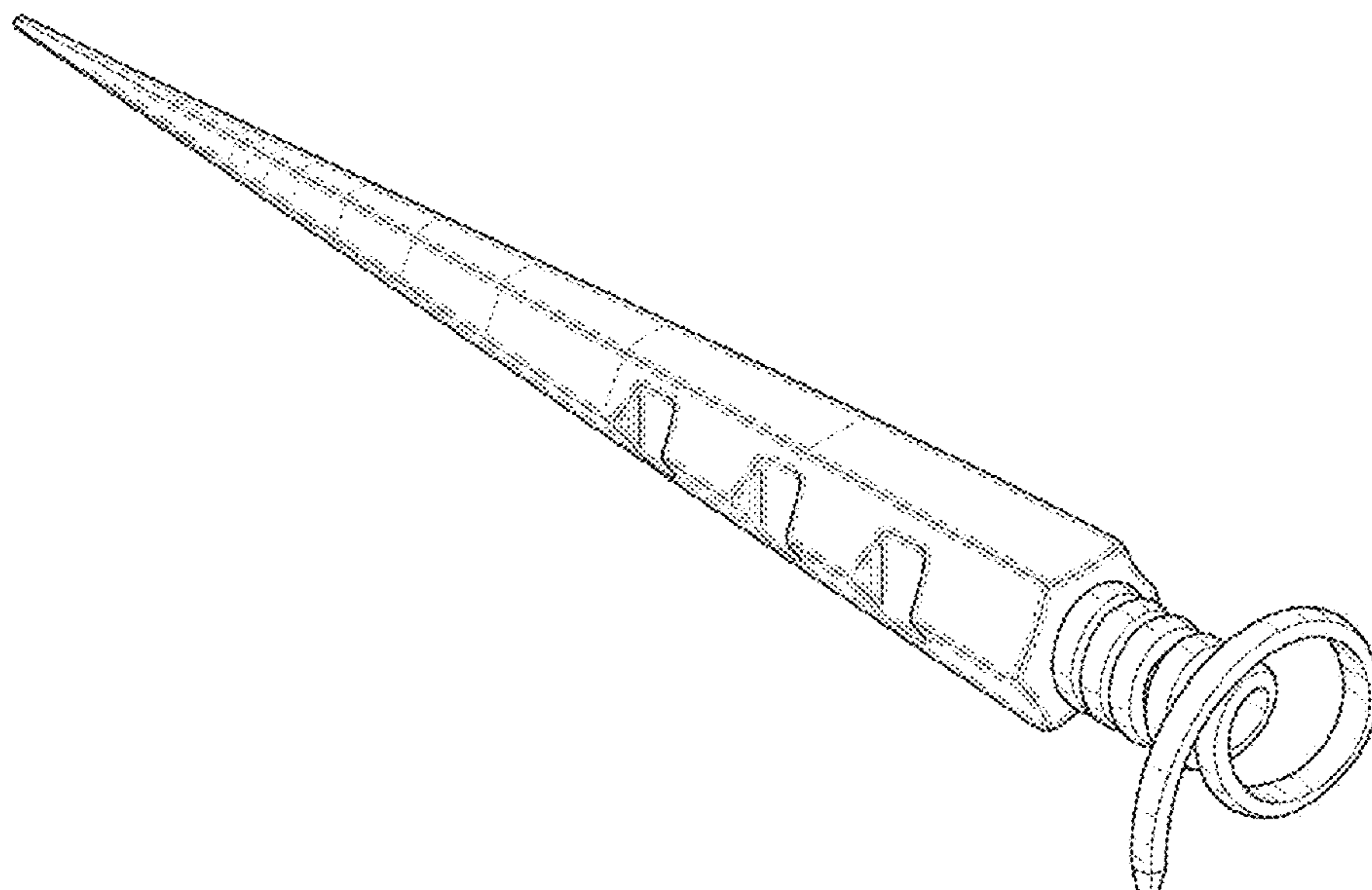
Related U.S. Application Data

- (62) Division of application No. 29/598,646, filed on Mar. 28, 2017, now Pat. No. Des. 839,382.
- (51) **LOC (12) Cl.** **22-05**
- (52) **U.S. Cl.**
USPC **D22/143**
- (58) **Field of Classification Search**
USPC D22/134-150; 43/42.49, 42.74, 43.12, 43/44.84, 44.92; 24/131 C, 373, 601.1, 24/601.3, 601.8
CPC A01K 91/04; A01K 91/053; F16B 2/248
See application file for complete search history.

(56) **References Cited**

U.S. PATENT DOCUMENTS

- 3,122,803 A * 3/1964 Boggess A01K 91/04 24/373
- 3,277,549 A * 10/1966 Bradshaw A01K 91/04 24/601.1
- 4,004,328 A * 1/1977 Bohn A01K 91/04 24/601.3
- 4,234,998 A * 11/1980 McMickle F16B 2/248 24/601.3
- 5,781,972 A * 7/1998 Steed A01K 91/04 24/131 C



(56)

References Cited

U.S. PATENT DOCUMENTS

D760,343 S 6/2016 Kim
D839,382 S 1/2019 Furbush, Jr.

* cited by examiner

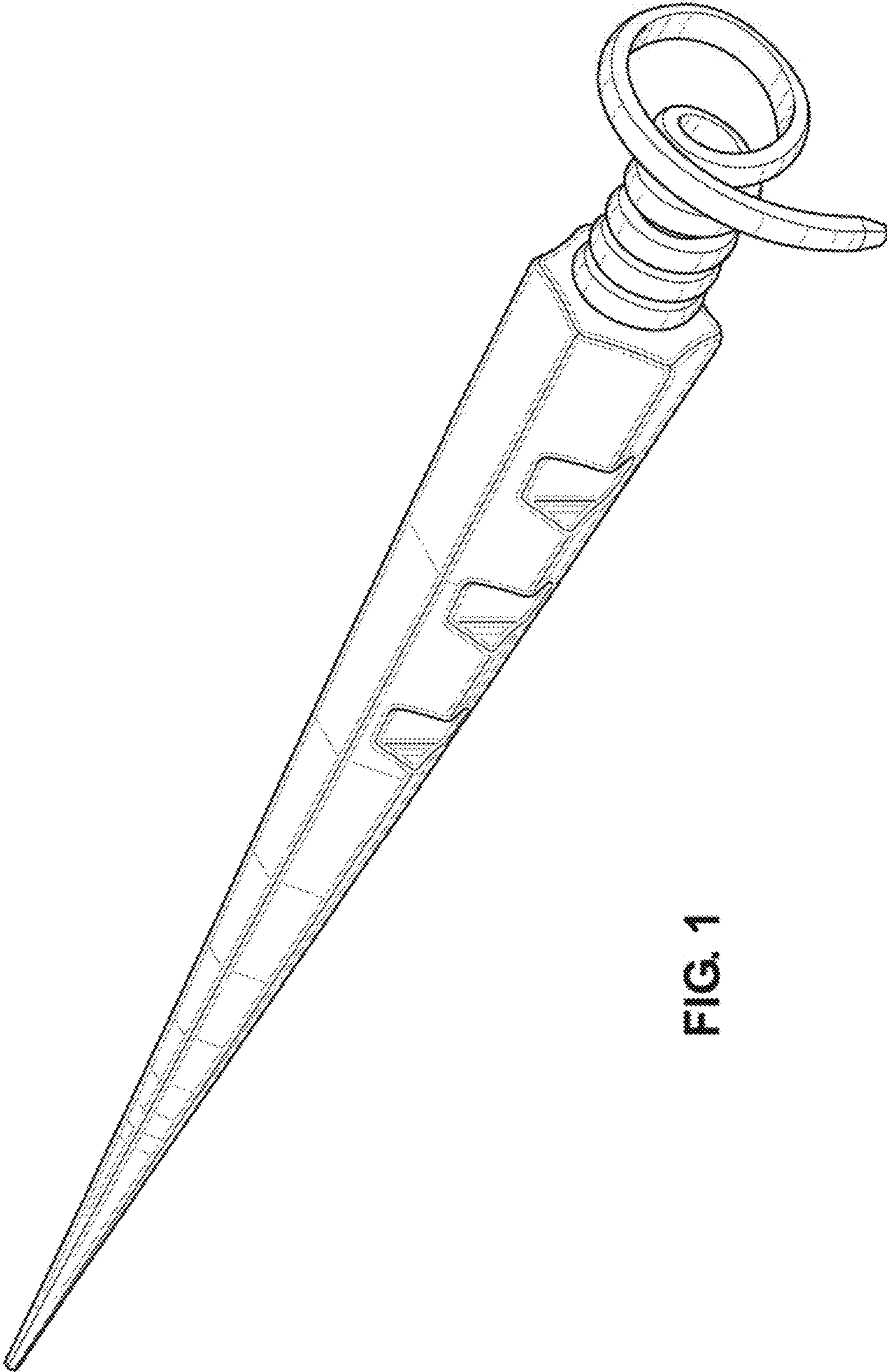


FIG. 1

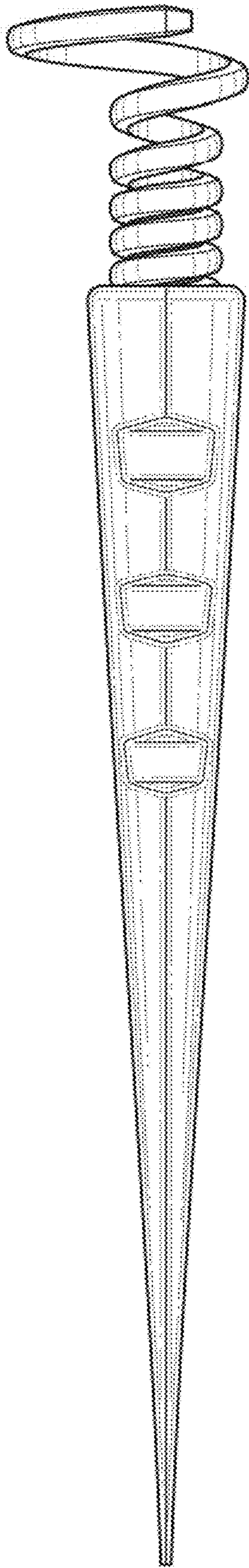


FIG. 2

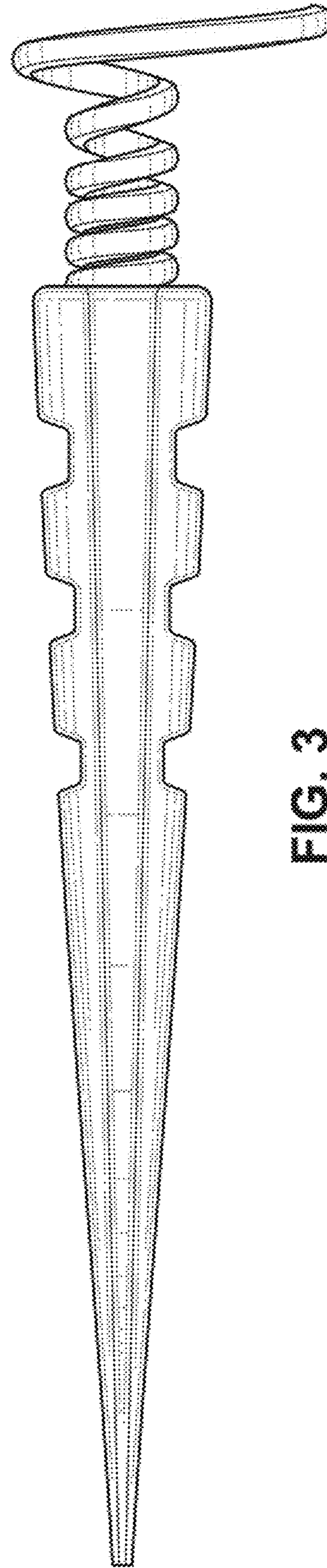


FIG. 3

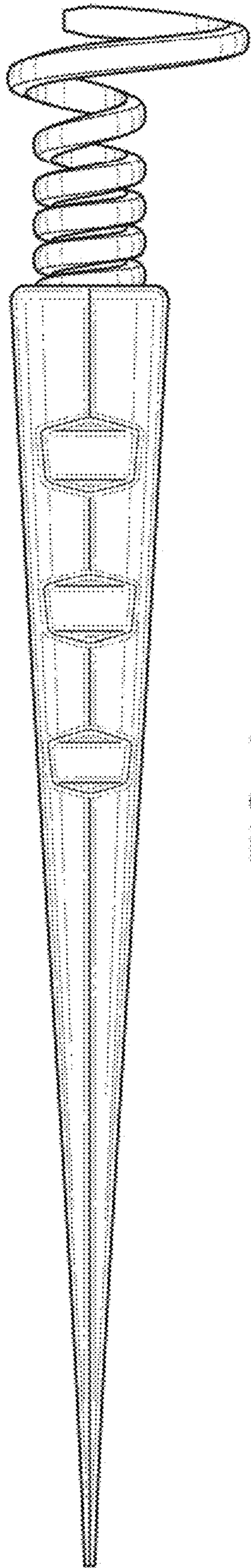


FIG. 4

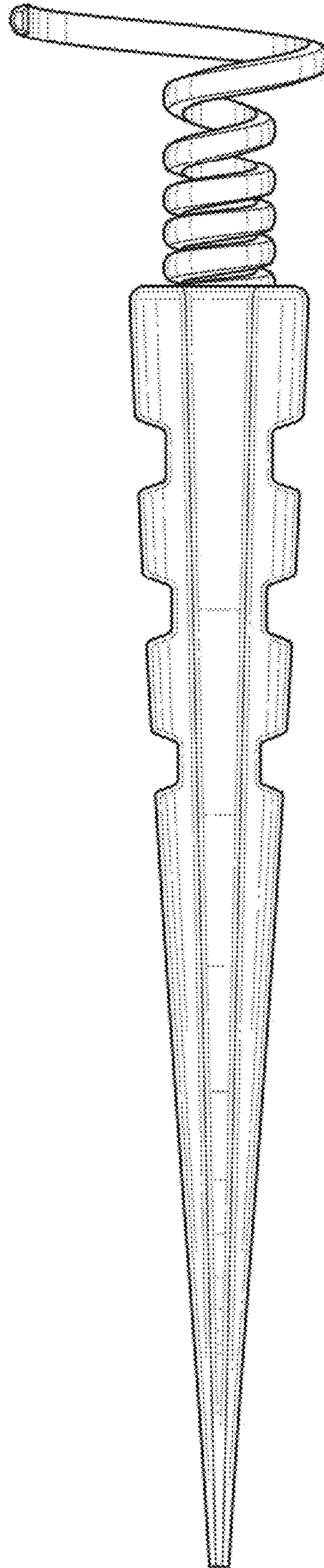


FIG. 5

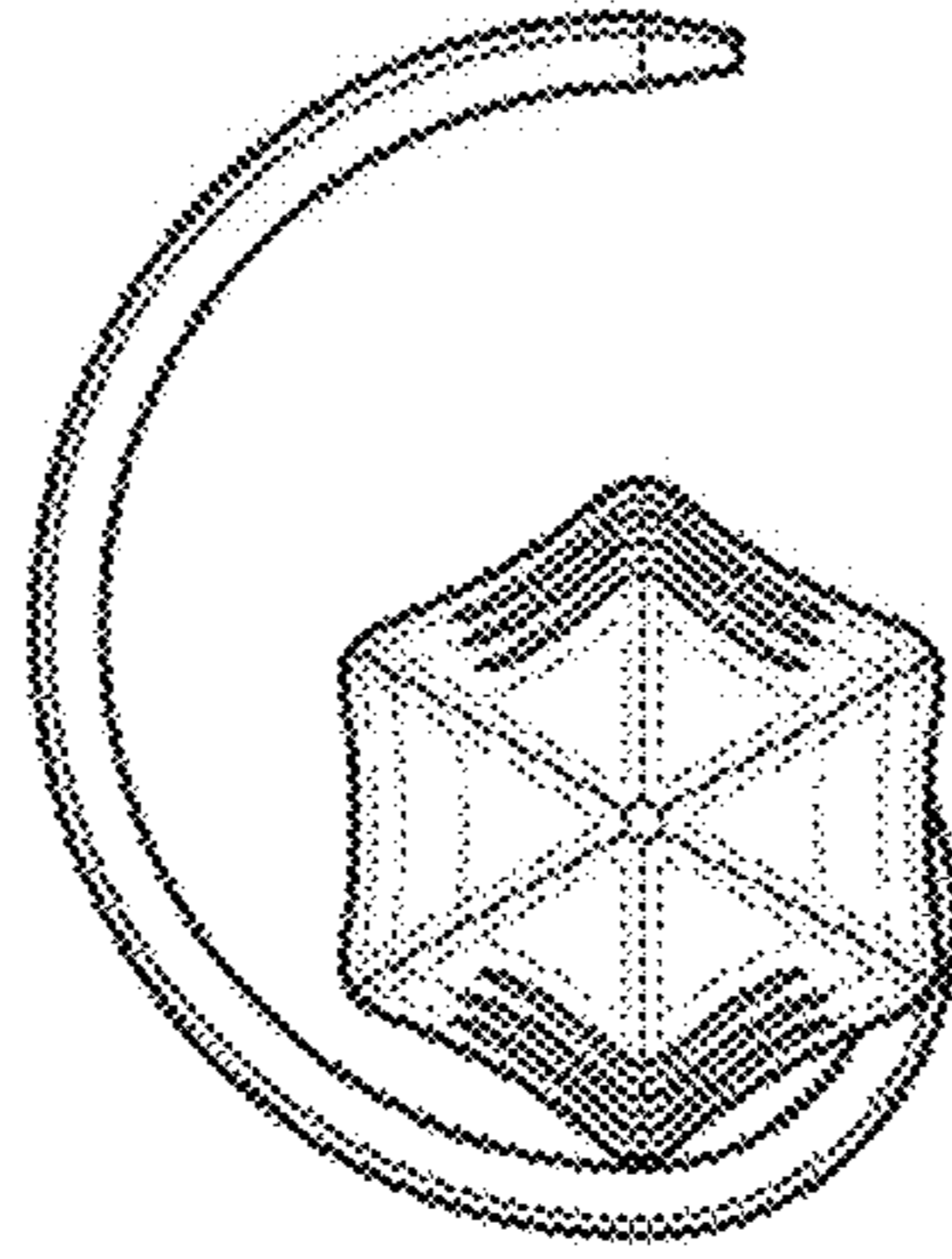


FIG. 7

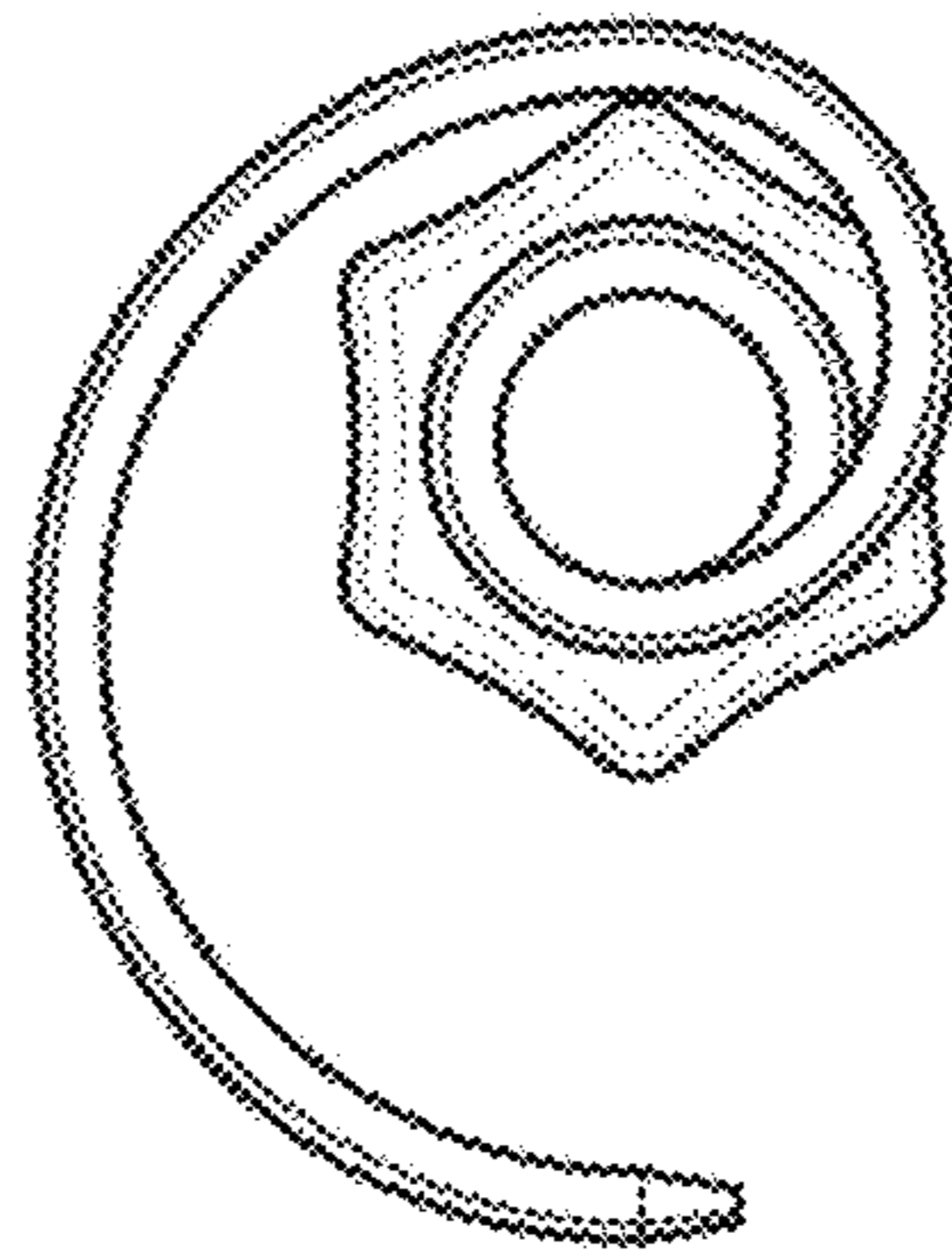


FIG. 6

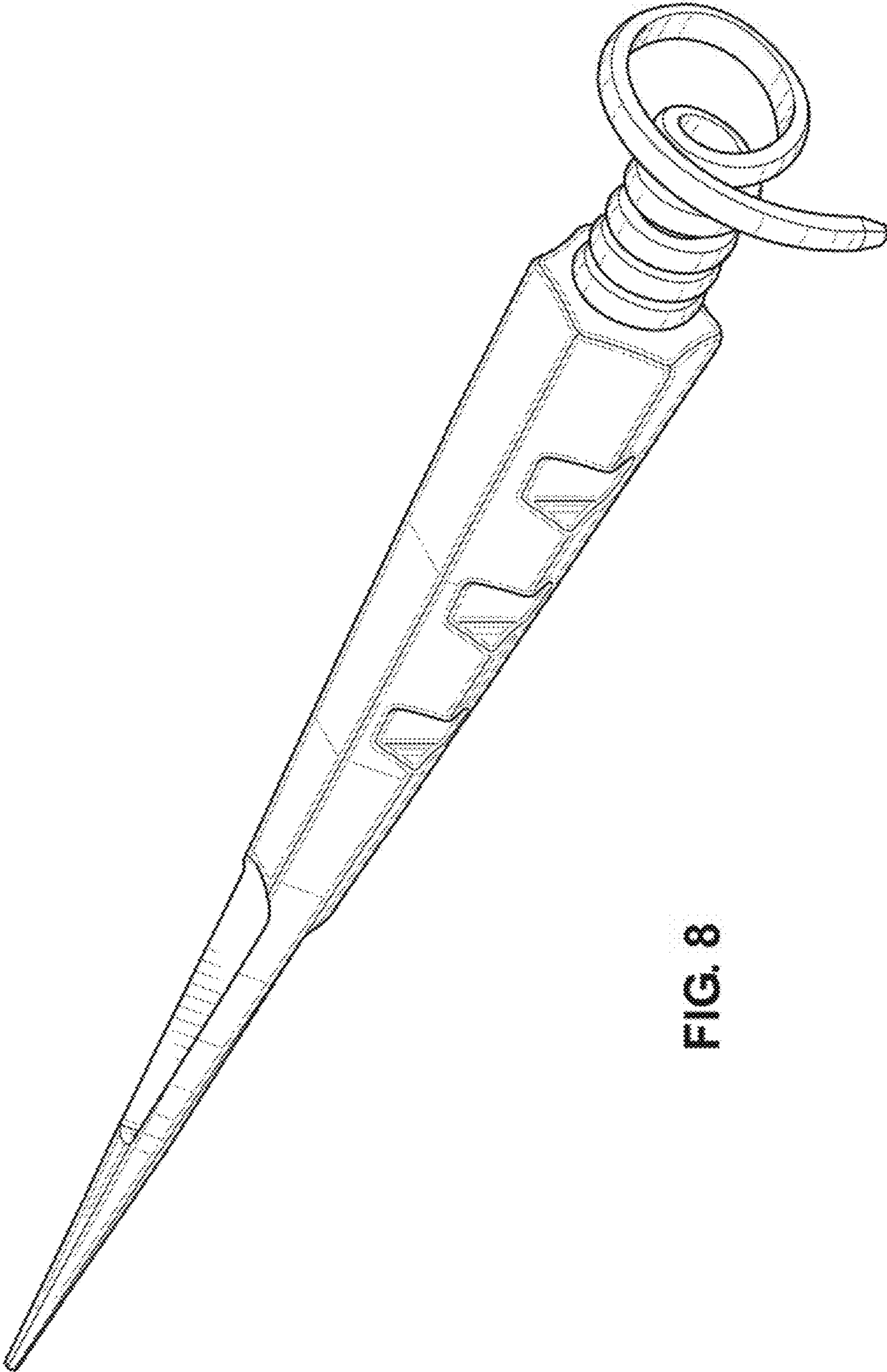


FIG. 8

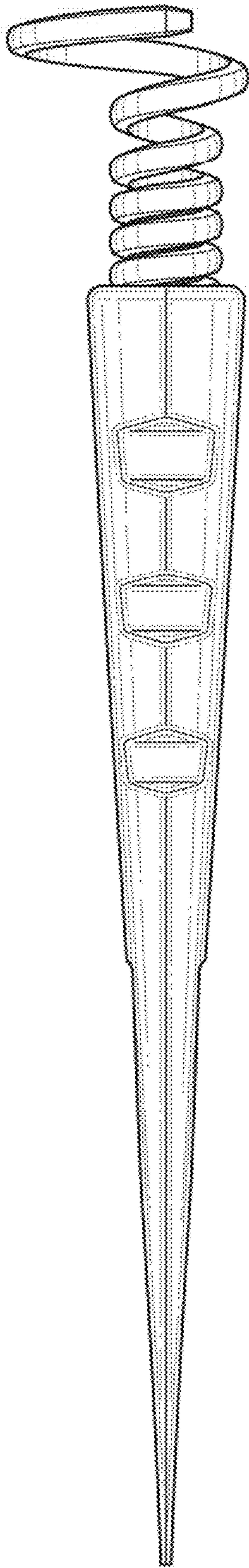


FIG. 9

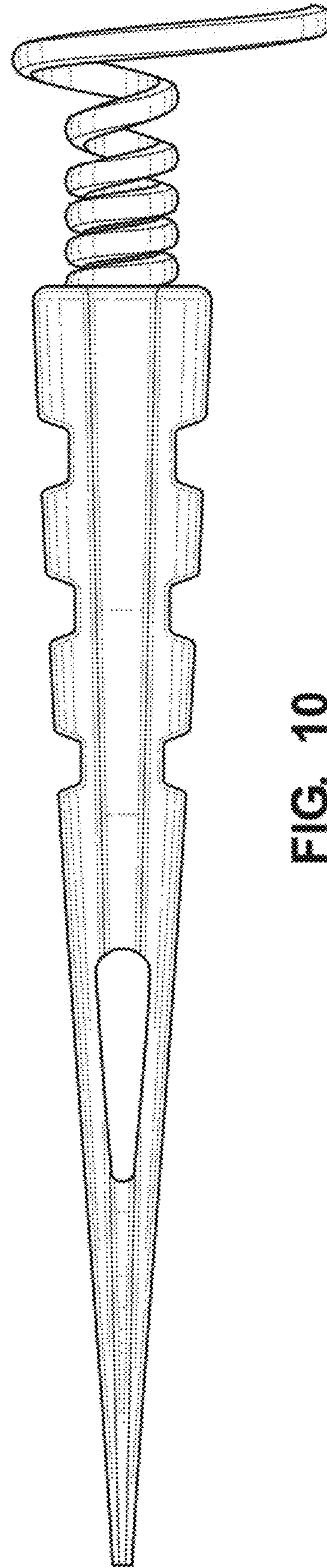


FIG. 10

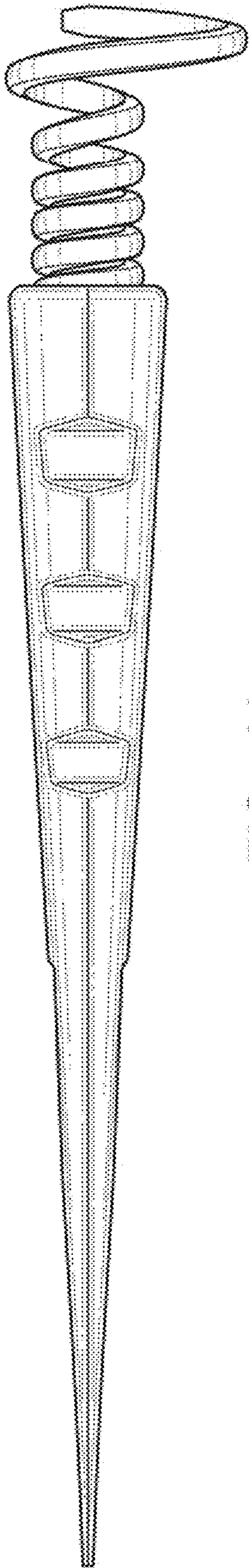


FIG. 11

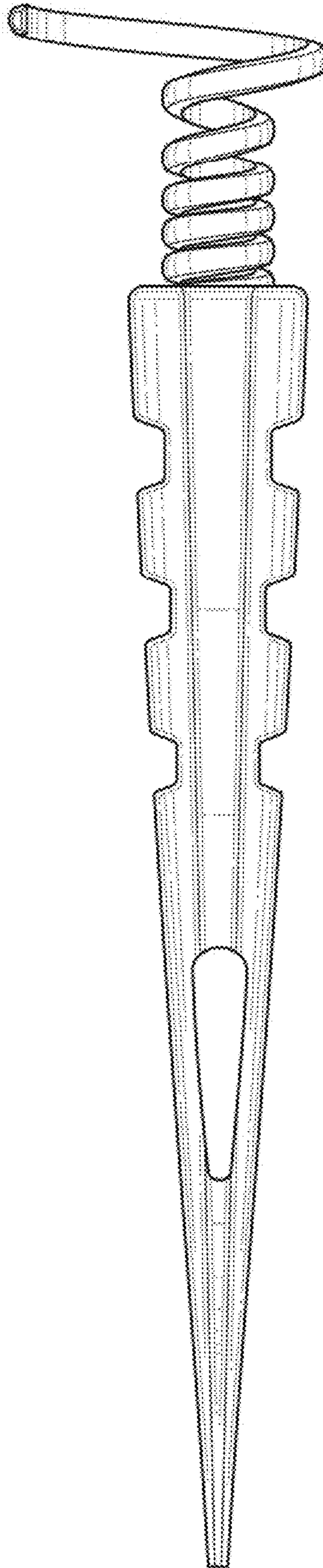


FIG. 12

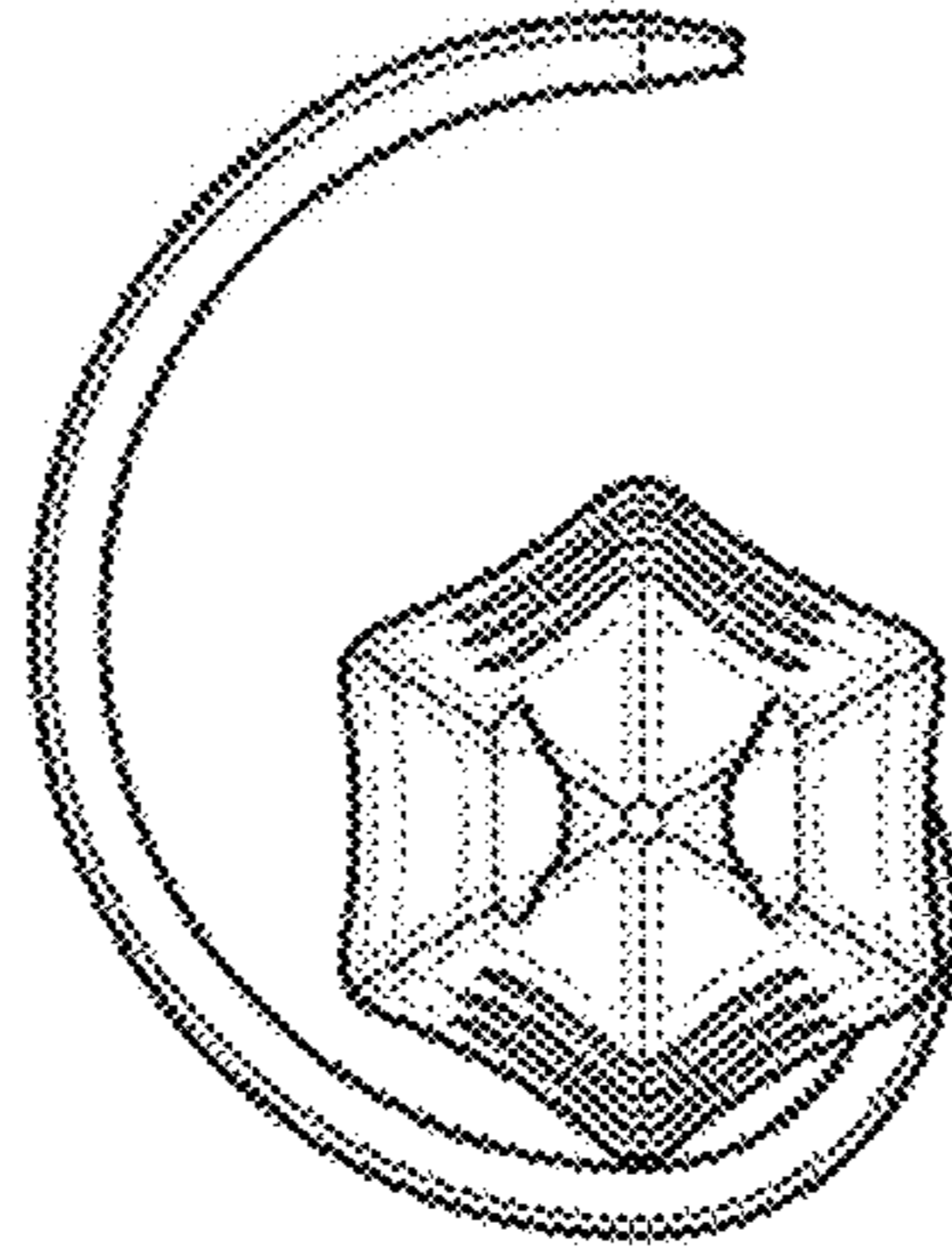


FIG. 14

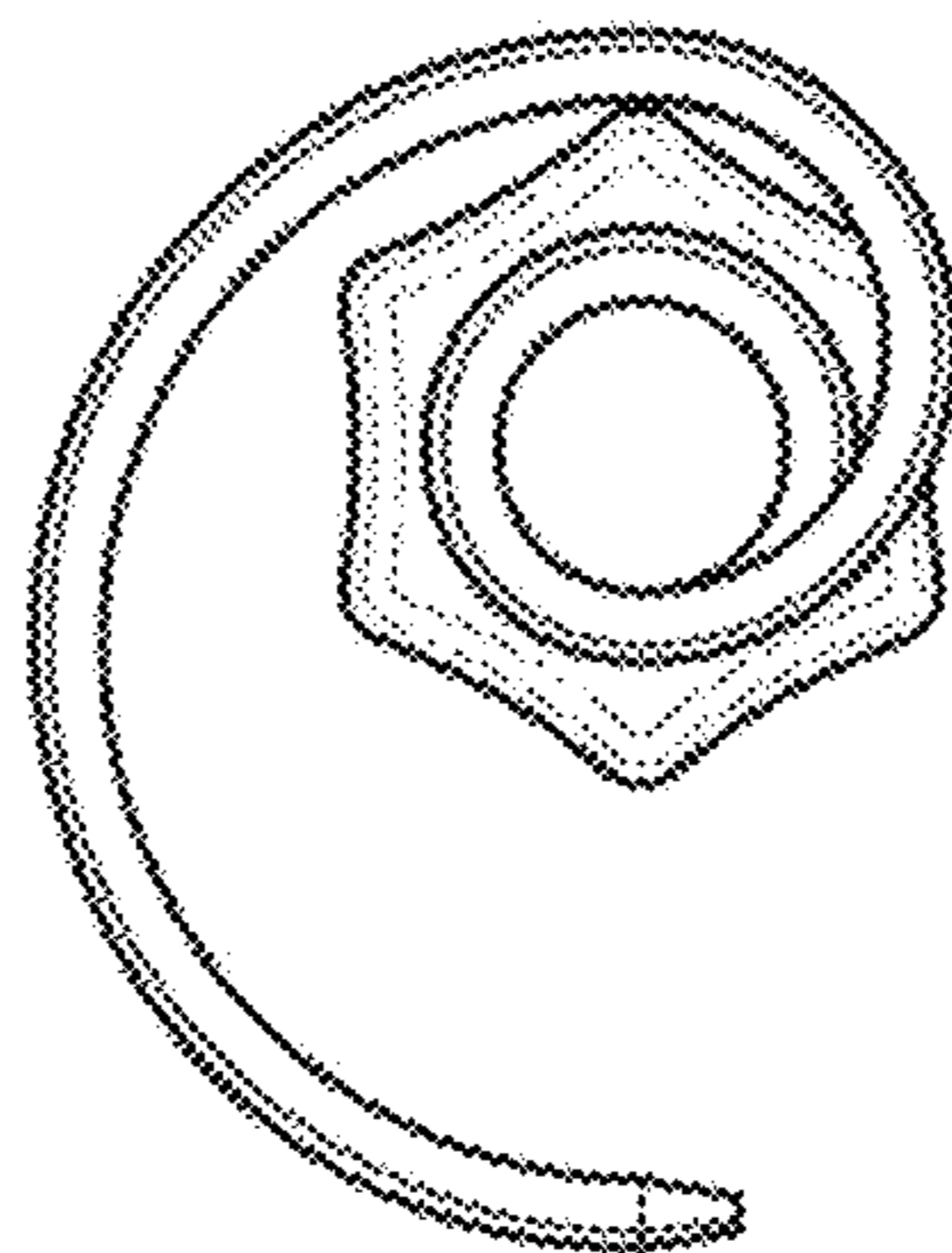


FIG. 13