



US00D873952S

(12) **United States Design Patent** (10) **Patent No.:** **US D873,952 S**
Davidson (45) **Date of Patent:** **** Jan. 28, 2020**

(54) **REEL SEAT**

(71) Applicant: **Toadfish LLC**, Charleston, SC (US)
(72) Inventor: **Casey Davidson**, Charleston, SC (US)
(73) Assignee: **Toadfish LLC**, Charleston, SC (US)
(**) Term: **15 Years**
(21) Appl. No.: **29/667,908**

(22) Filed: **Oct. 25, 2018**
(51) **LOC (12) Cl.** **22-05**
(52) **U.S. Cl.**
USPC **D22/142**
(58) **Field of Classification Search**
USPC D22/142; 43/18.1 R, 20, 22, 23
CPC A01K 87/04; A01K 87/06; A01K 87/08
See application file for complete search history.

(56) **References Cited**

U.S. PATENT DOCUMENTS

2,145,612 A * 1/1939 Scogland A01K 87/06
43/22
5,396,727 A * 3/1995 Furuya A01K 87/08
43/23
6,378,238 B1 * 4/2002 Lu A01K 87/06
43/18.1 R
D613,366 S * 4/2010 Lin D22/142
D672,428 S * 12/2012 Lin D22/142
D847,941 S * 5/2019 Kaihara D22/142
2003/0145509 A1 * 8/2003 Ito A01K 87/06
43/22

OTHER PUBLICATIONS

Toadfish Outfitters, Toadfish Inshore Fishing Rod, You Tube video published on Jul. 8, 2018, URL: <https://www.youtube.com/watch?v=iCmpwmkmmml>, Web.

* cited by examiner

Primary Examiner — Catherine R Oliver-Garcia
(74) *Attorney, Agent, or Firm* — Middleton Reutlinger

(57) **CLAIM**

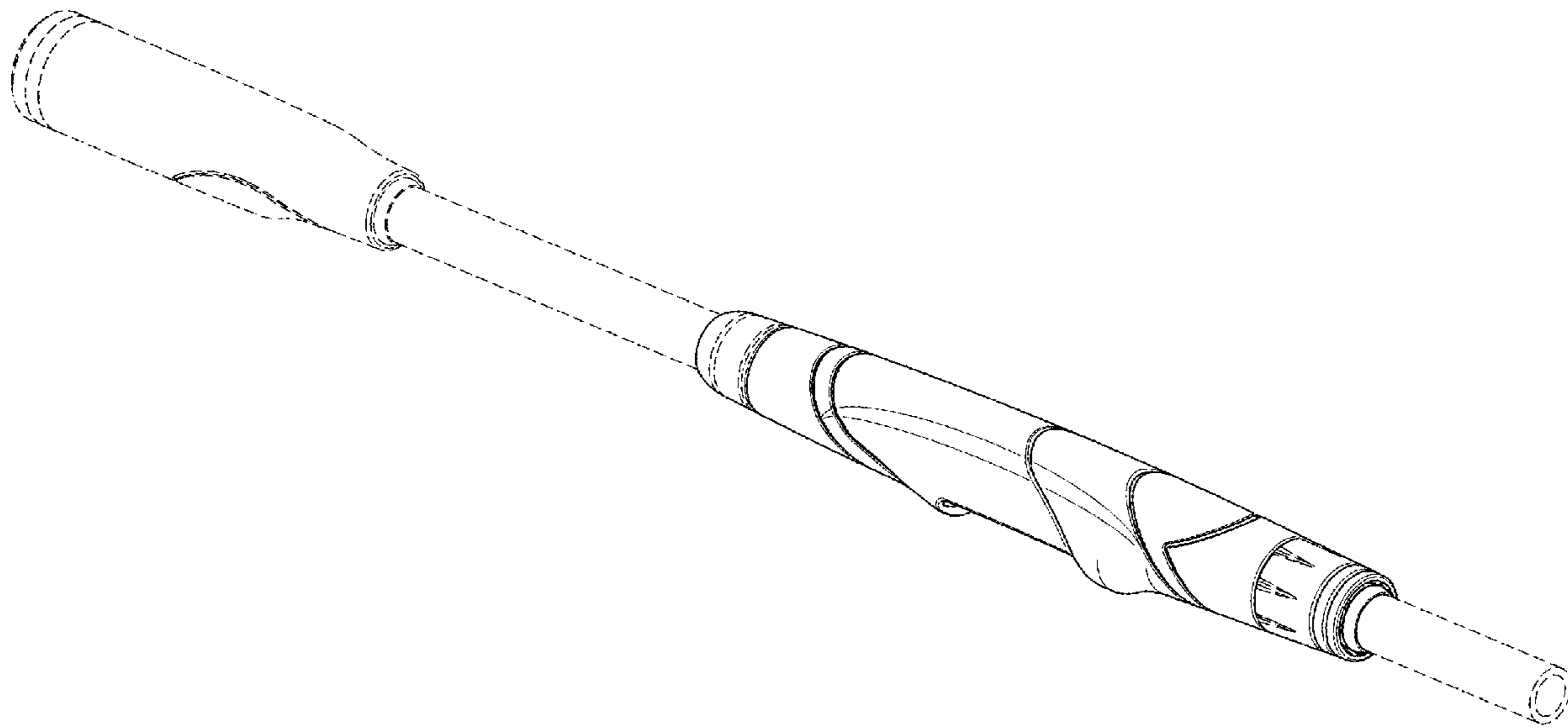
The ornamental design for a reel seat, as shown and described.

DESCRIPTION

FIG. 1 is an upper perspective view of a reel seat design; FIG. 2 is a top view of the reel seat design of FIG. 1; FIG. 3 is a bottom view of the reel seat design of FIG. 1; FIG. 4 is a front view of the reel seat design of FIG. 1; FIG. 5 is a rear view of the reel seat design of FIG. 1; FIG. 6 is a first side view of the reel seat design of FIG. 1; FIG. 7 is a second side view of the reel seat design of FIG. 1; and, FIG. 8 is a lower perspective view of the reel seat design of FIG. 1.

The broken line disclosure represents unclaimed portions of the reel seat in which the design is embodied.

1 Claim, 7 Drawing Sheets



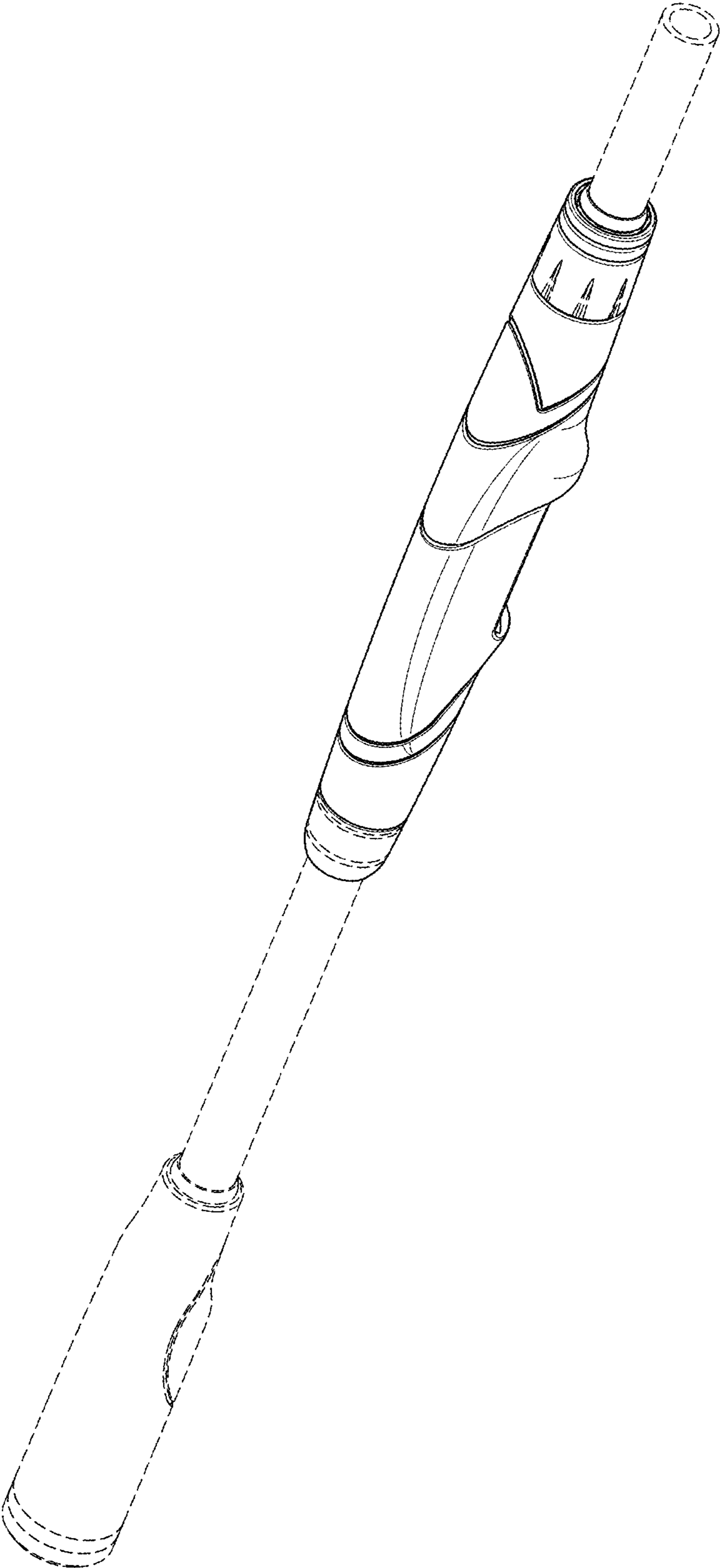


FIG. 1

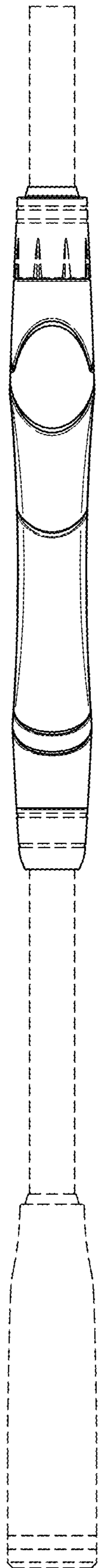


FIG. 2

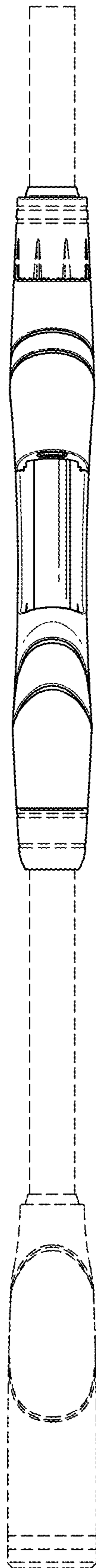


FIG. 3

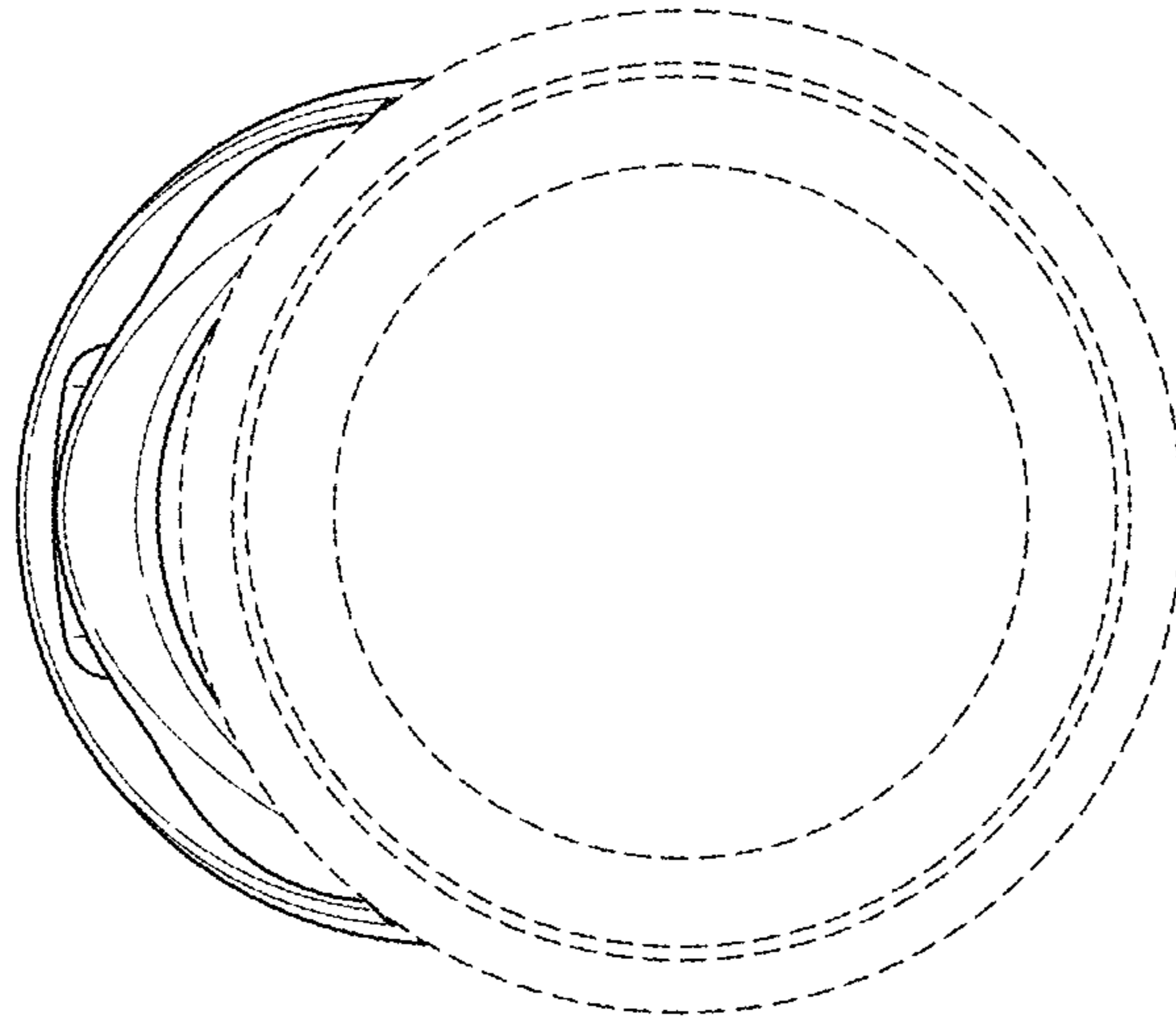


FIG. 5

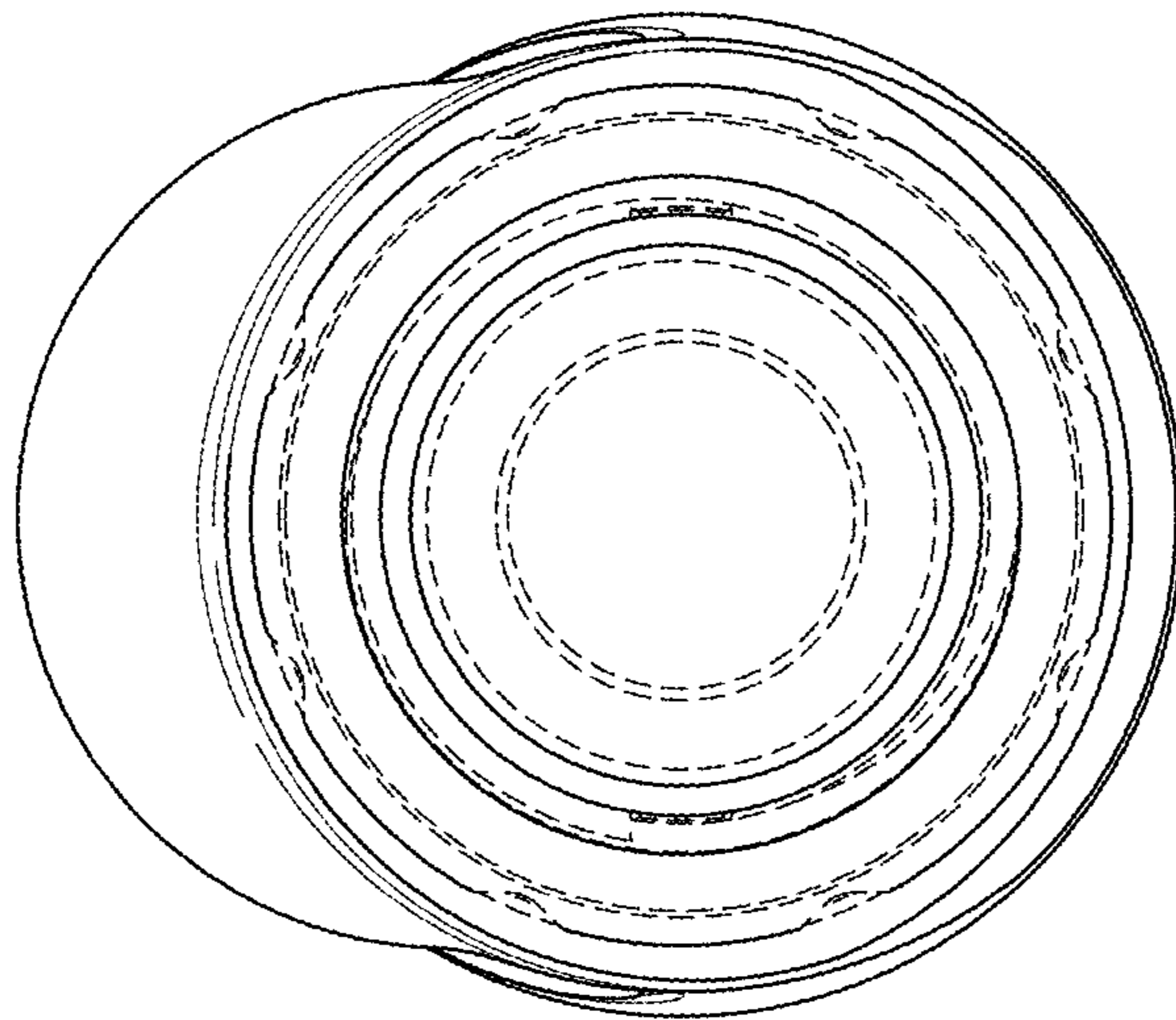


FIG. 4

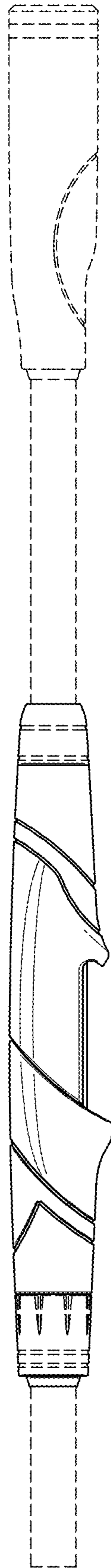


FIG. 6

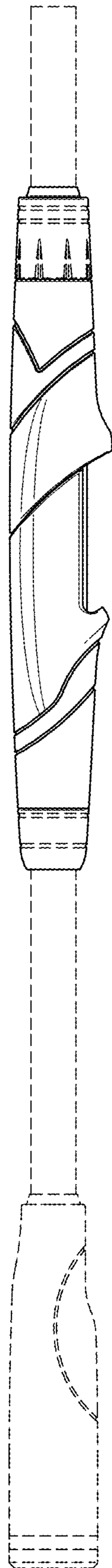


FIG. 7

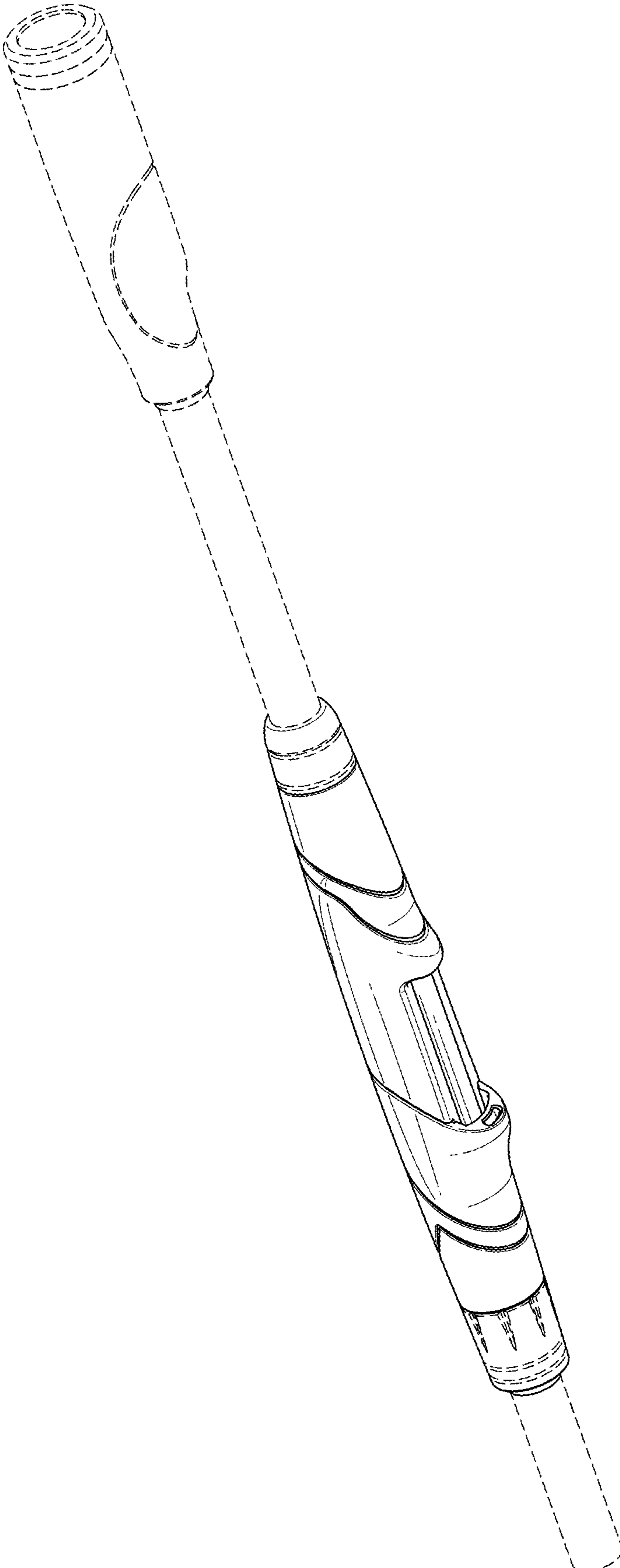


FIG. 8