



US00D873951S

(12) **United States Design Patent**
Cui

(10) **Patent No.:** **US D873,951 S**

(45) **Date of Patent:** **** Jan. 28, 2020**

(54) **FISHING REEL**

(71) Applicant: **Tianshi Cui**, Weihai (CN)

(72) Inventor: **Tianshi Cui**, Weihai (CN)

(73) Assignee: **Shenzhen Bosaidong Technology Co., Ltd**, Shenzhen

(**) Term: **15 Years**

(21) Appl. No.: **29/670,116**

(22) Filed: **Nov. 13, 2018**

(51) **LOC (12) Cl.** **22-05**

(52) **U.S. Cl.**
USPC **D22/140**

(58) **Field of Classification Search**
USPC D22/137-141; 242/223-224, 234-240,
242/310-312, 314-315, 318, 322, 370;
224/196, 581, 664, 676; 43/19-22
CPC A01K 89/00; A01K 89/01; A01K 89/0108;
A01K 89/0111; A01K 89/0114; A01K
89/0117; A01K 89/015; A01K 89/006;
A01K 8/192; A45F 3/14; A63B 47/001
See application file for complete search history.

(56) **References Cited**

U.S. PATENT DOCUMENTS

D579,075 S * 10/2008 Sekimoto D22/140
D709,985 S * 7/2014 Deguchi D22/140

D718,409 S * 11/2014 Asaba D22/140
D724,173 S * 3/2015 Asaba D22/140
D731,613 S * 6/2015 Kano D22/140
D767,083 S * 9/2016 Niitsuma D22/140
D846,061 S * 4/2019 Niitsuma D22/140
2016/0165867 A1* 6/2016 Hyun A01K 89/0192
242/310

* cited by examiner

Primary Examiner — Catherine R Oliver-Garcia

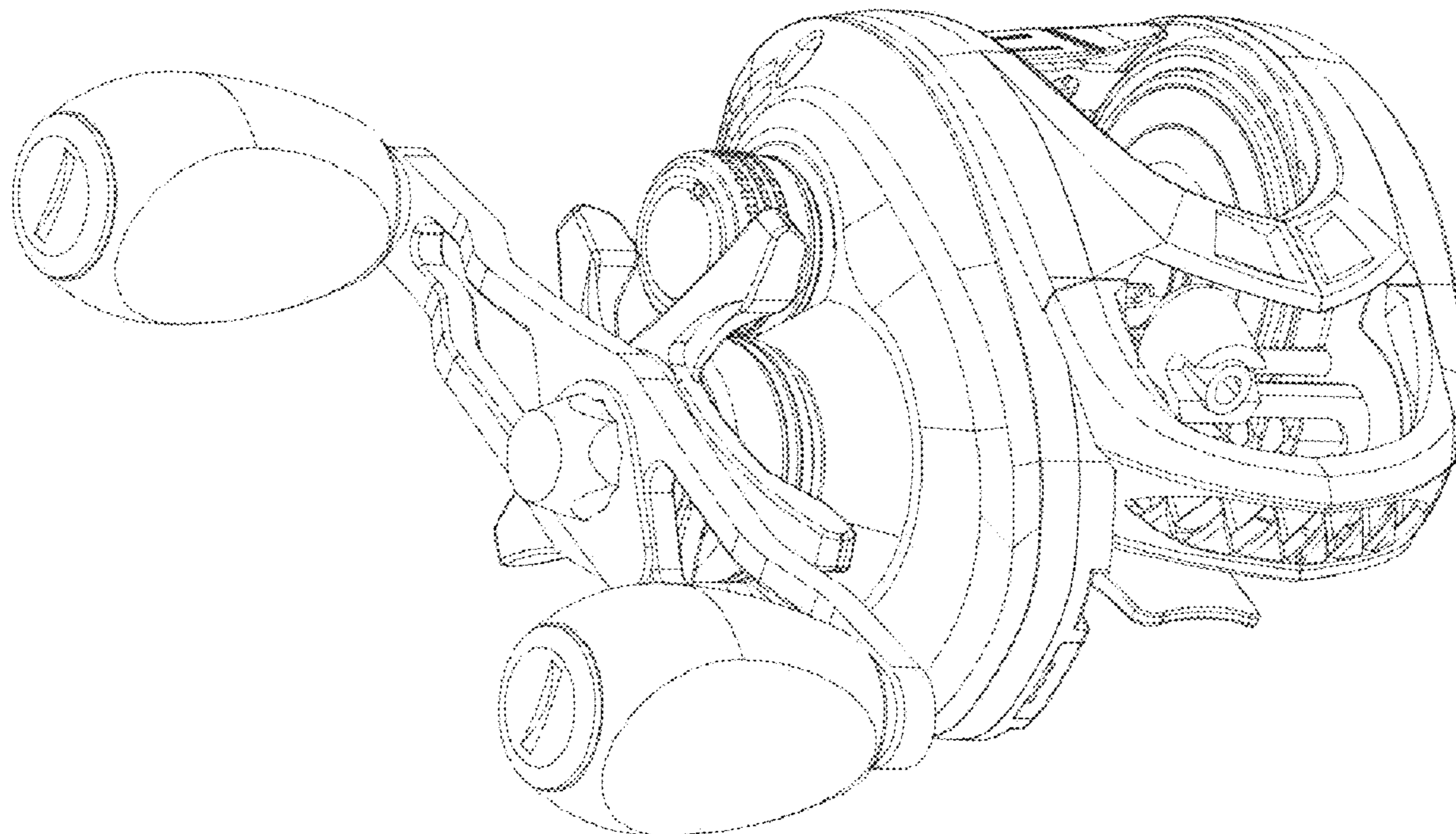
(57) **CLAIM**

The ornamental design for a fishing reel, as shown and described.

DESCRIPTION

FIG. 1 is a perspective view of a fishing reel showing my new design;
FIG. 2 is a perspective view of a fishing reel showing my new design;
FIG. 3 is a top plan view thereof;
FIG. 4 is a rear elevational view thereof;
FIG. 5 is a bottom plan view thereof;
FIG. 6 is a right side view thereof;
FIG. 7 is a front elevational view thereof; and,
FIG. 8 is a left side view thereof.

1 Claim, 8 Drawing Sheets



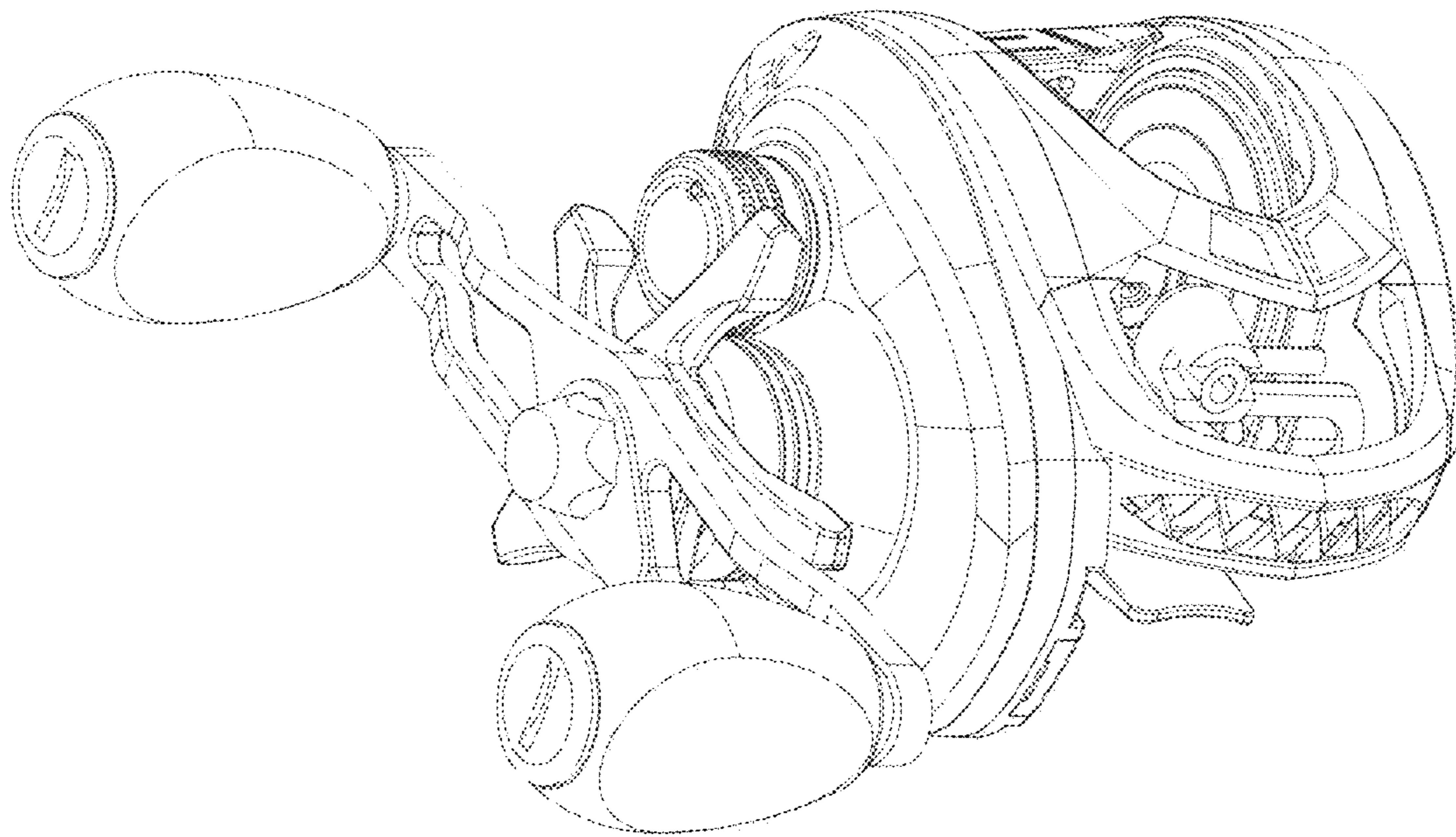


FIG.1

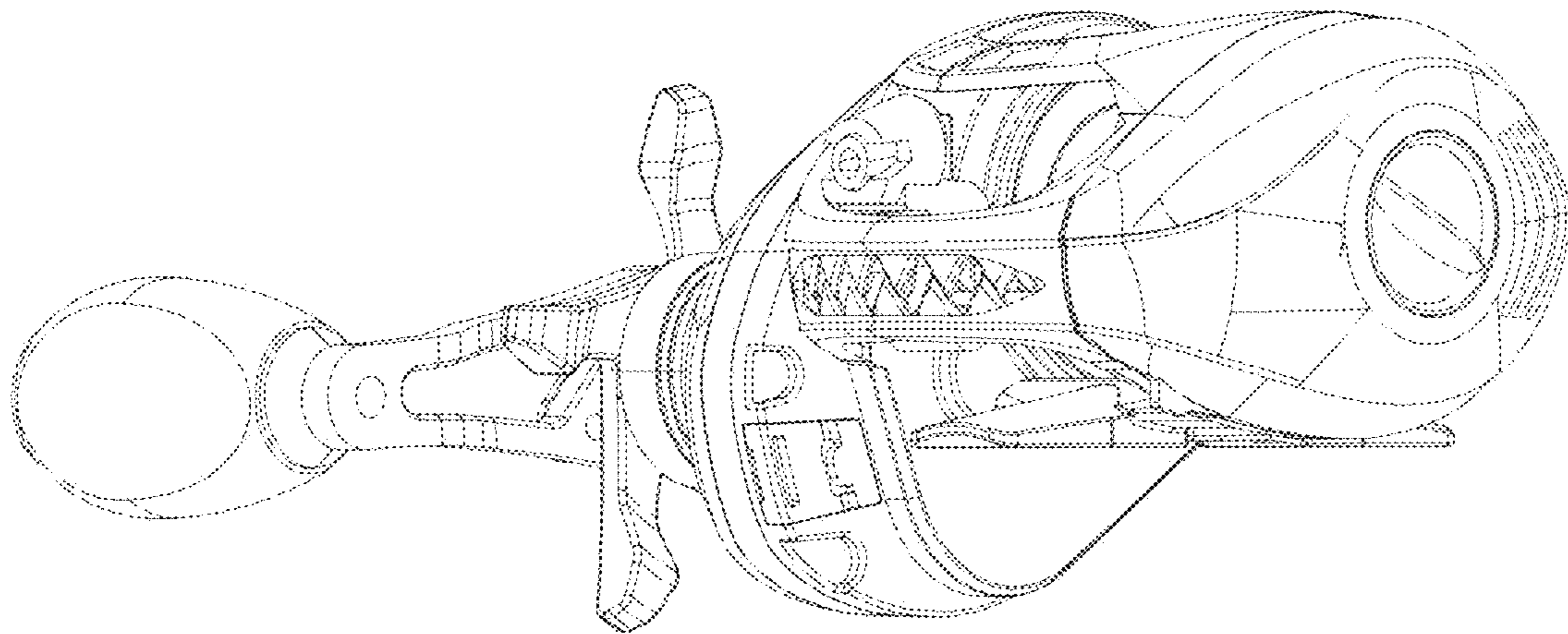


FIG.2

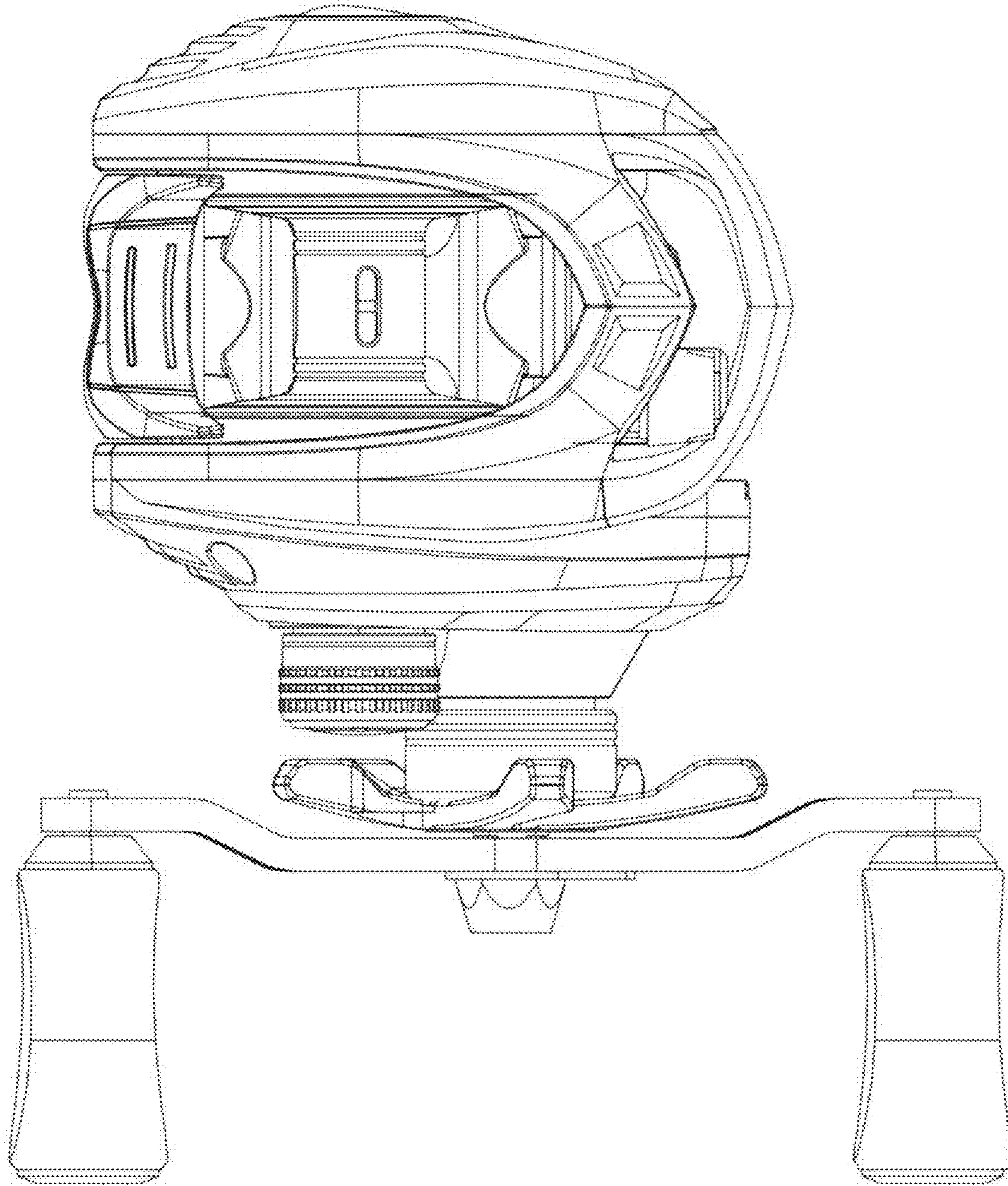


FIG.3

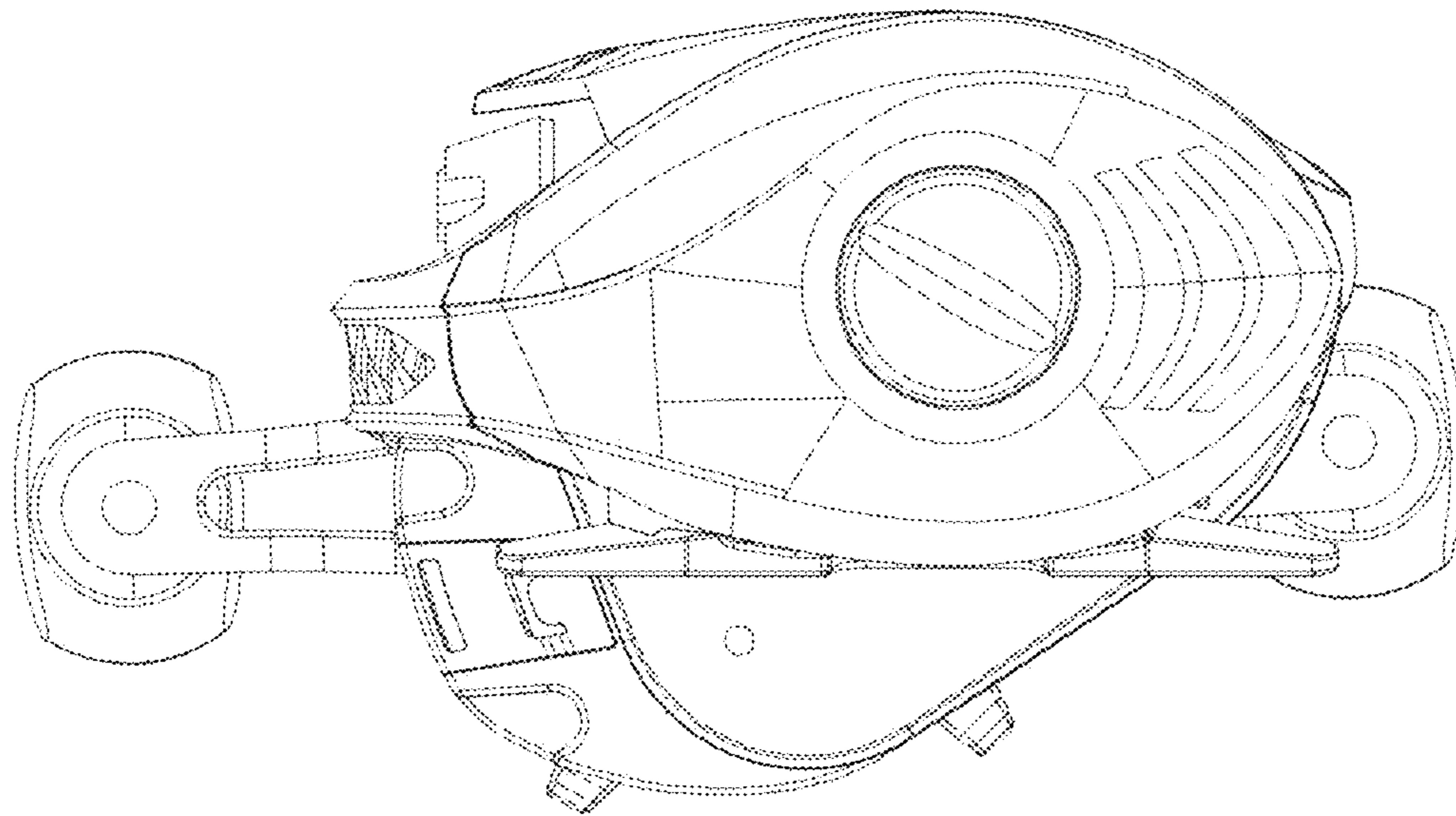


FIG.4

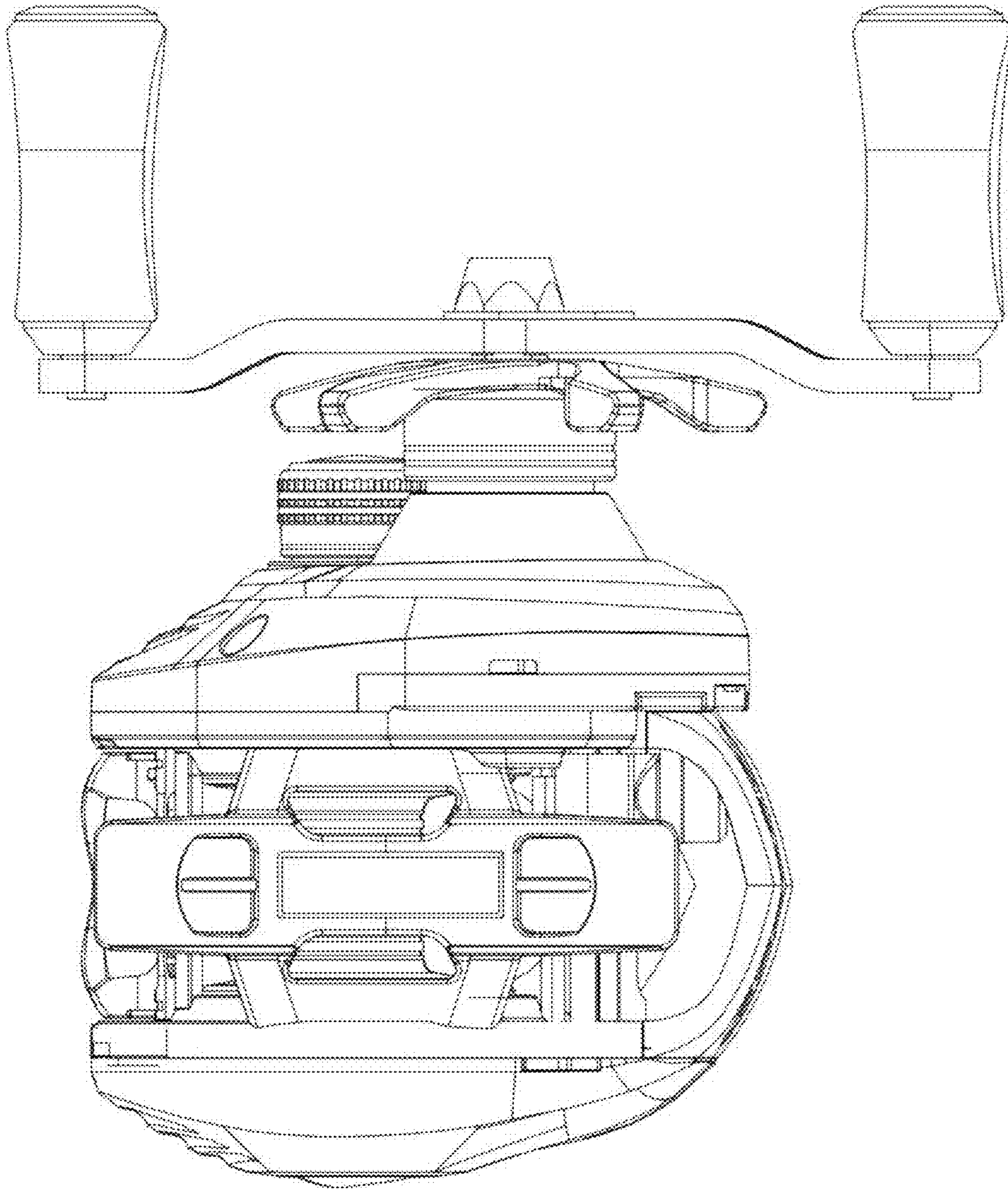


FIG.5

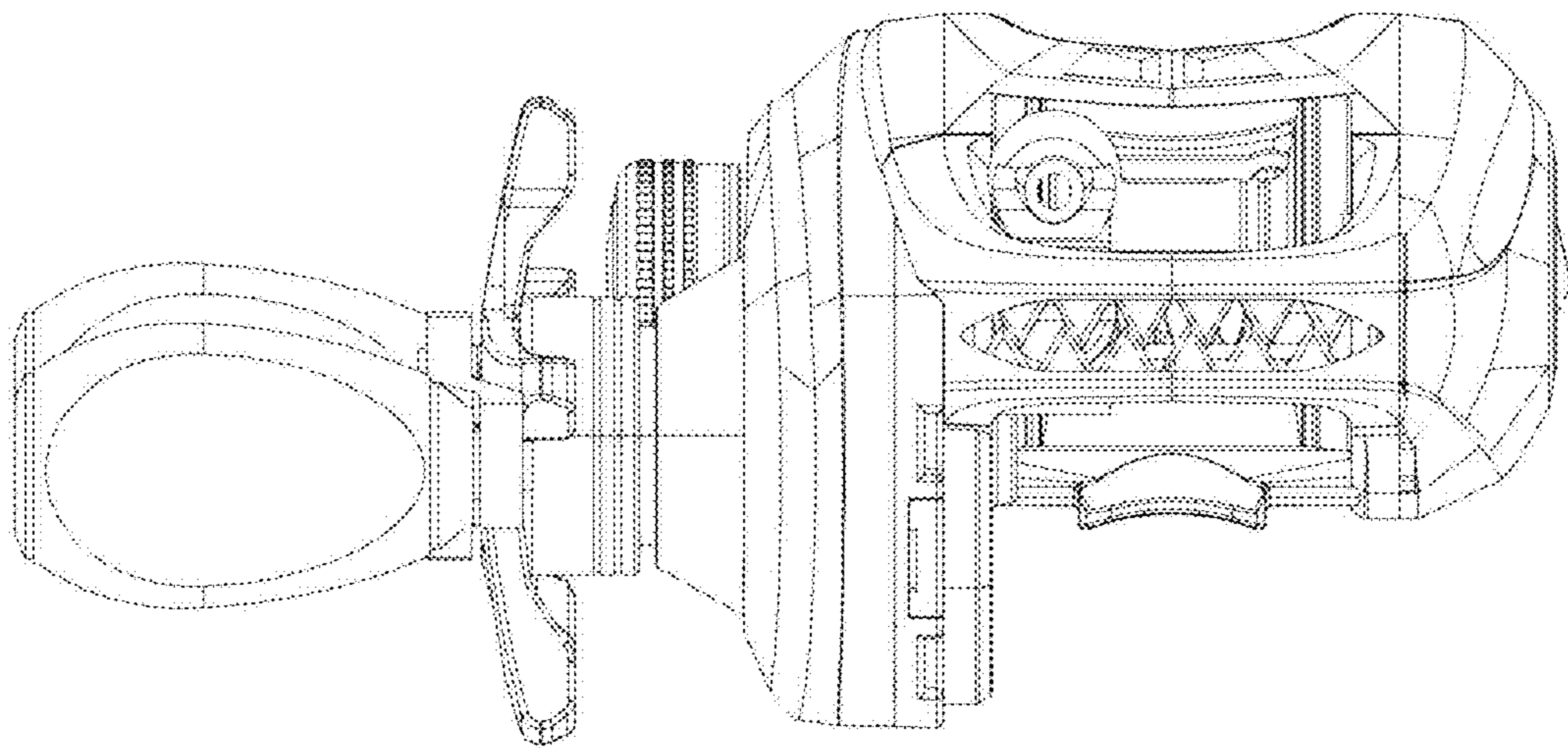


FIG.6

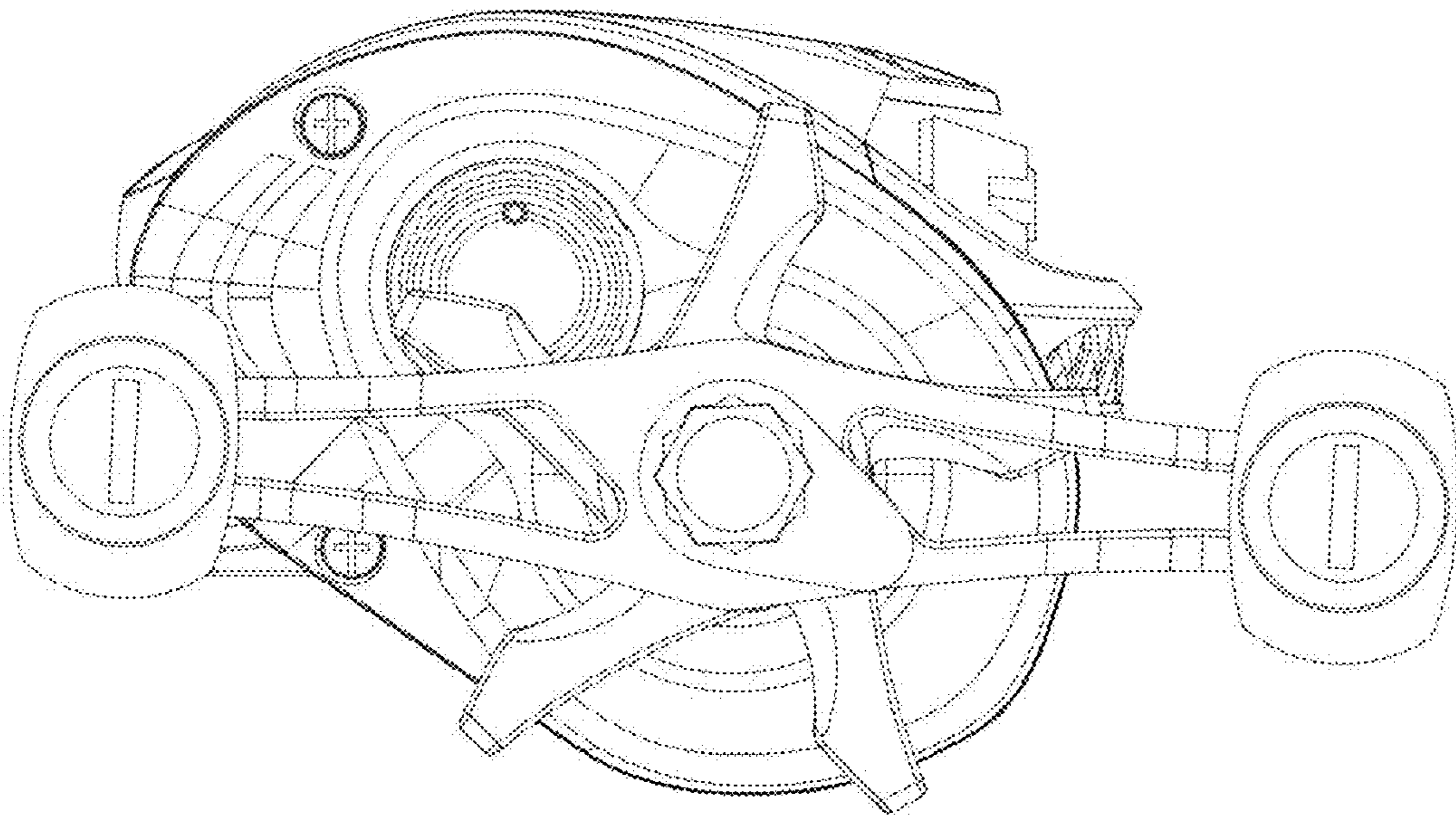


FIG.7

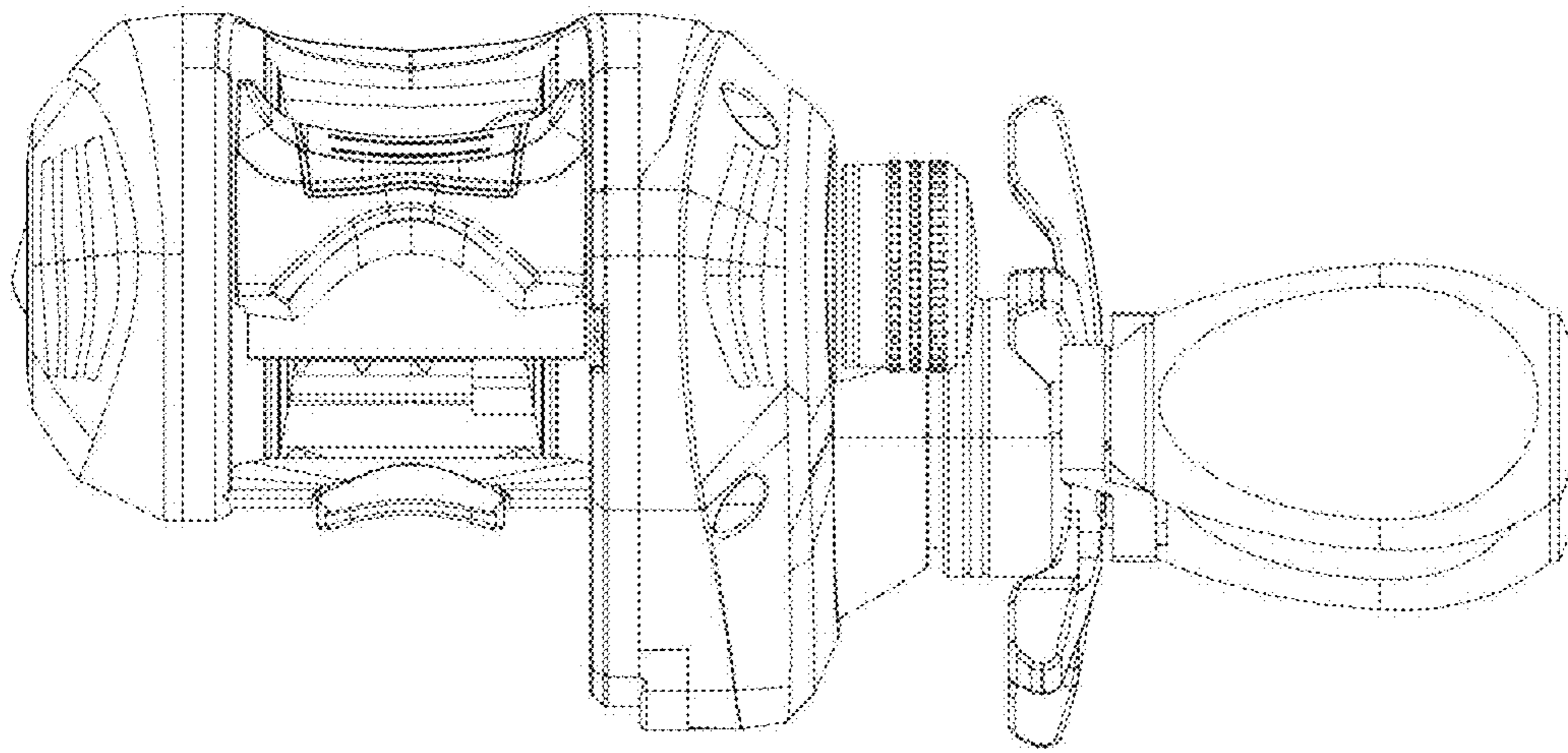


FIG.8