



US00D873950S

(12) **United States Design Patent** (10) **Patent No.:** **US D873,950 S**  
**Wynalda, Jr.** (45) **Date of Patent:** **\*\* Jan. 28, 2020**

(54) **ELECTRONIC VAPOR DISPENSER FOR HUNTING**

(71) Applicant: **WYNDSCENT, LLC**, Belmont, MI (US)

(72) Inventor: **Robert M. Wynalda, Jr.**, Comstock Park, MI (US)

(73) Assignee: **Wyndscnt, LLC**, Belmont, MI (US)

(\*\*) Term: **15 Years**

(21) Appl. No.: **29/666,666**

(22) Filed: **Oct. 15, 2018**

(51) **LOC (12) Cl.** ..... **22-05**

(52) **U.S. Cl.**  
USPC ..... **D22/125**

(58) **Field of Classification Search**  
USPC ..... D23/336, 366; D27/162; D22/125  
CPC .. A01M 31/00; A01M 31/008; A01M 1/2044;  
A01M 1/2088; A01K 15/02; H01M  
10/488; A24F 47/008; A24F 47/00  
See application file for complete search history.

(56) **References Cited**

**U.S. PATENT DOCUMENTS**

|           |      |         |             |       |                        |
|-----------|------|---------|-------------|-------|------------------------|
| 5,944,508 | A *  | 8/1999  | Bonnema     | ..... | A01M 1/2088<br>126/408 |
| 7,093,770 | B1 * | 8/2006  | Moran       | ..... | A01K 15/02<br>206/37   |
| 7,419,102 | B2 * | 9/2008  | Harris, Jr. | ..... | A01M 1/2044<br>239/145 |
| 8,905,667 | B1 * | 12/2014 | Burks       | ..... | A01M 31/008<br>222/175 |
| D754,834  | S *  | 4/2016  | Mosell      | ..... | D23/366                |
| 9,491,940 | B2 * | 11/2016 | LaRosa      | ..... | A01M 31/008            |
| D804,718  | S *  | 12/2017 | Mathias     | ..... | D27/162                |
| 9,936,687 | B1 * | 4/2018  | Keen        | ..... | A01M 31/008            |
| 9,975,668 | B1 * | 5/2018  | Rimmer      | ..... | A01M 31/00             |
| D823,685  | S *  | 7/2018  | Burgeson    | ..... | D9/447                 |

|            |      |        |            |       |             |
|------------|------|--------|------------|-------|-------------|
| 10,306,929 | B2 * | 6/2019 | Liu        | ..... | A24F 47/00  |
| 10,349,678 | B2 * | 7/2019 | Chen       | ..... | A24F 47/008 |
| 10,357,063 | B1 * | 7/2019 | Fornarelli | ..... | H01M 10/488 |
| 10,405,585 | B2 * | 9/2019 | Alarcon    | ..... | A24F 47/008 |

\* cited by examiner

*Primary Examiner* — George D. Kirschbaum  
(74) *Attorney, Agent, or Firm* — Zollinger & Burleson Ltd.

(57) **CLAIM**

The ornamental design for an electronic vapor dispenser for hunting, as shown and described.

**DESCRIPTION**

FIG. 1 is a top left perspective view of a first embodiment of the electronic vapor dispenser for hunting showing my new design.

FIG. 2 is a bottom left perspective view thereof.

FIG. 3 is a front elevation view thereof.

FIG. 4 is a left side elevation view thereof; the right side elevation being a mirror image thereof.

FIG. 5 is a rear elevation view thereof.

FIG. 6 is a top plan view thereof.

FIG. 7 is a bottom view thereof.

FIG. 8 is a top left perspective view of a second embodiment of the electronic vapor dispenser for hunting showing my new design.

FIG. 9 is a bottom left perspective view thereof.

FIG. 10 is a front elevation view thereof.

FIG. 11 is a left side elevation view thereof; the right side elevation being a mirror image thereof.

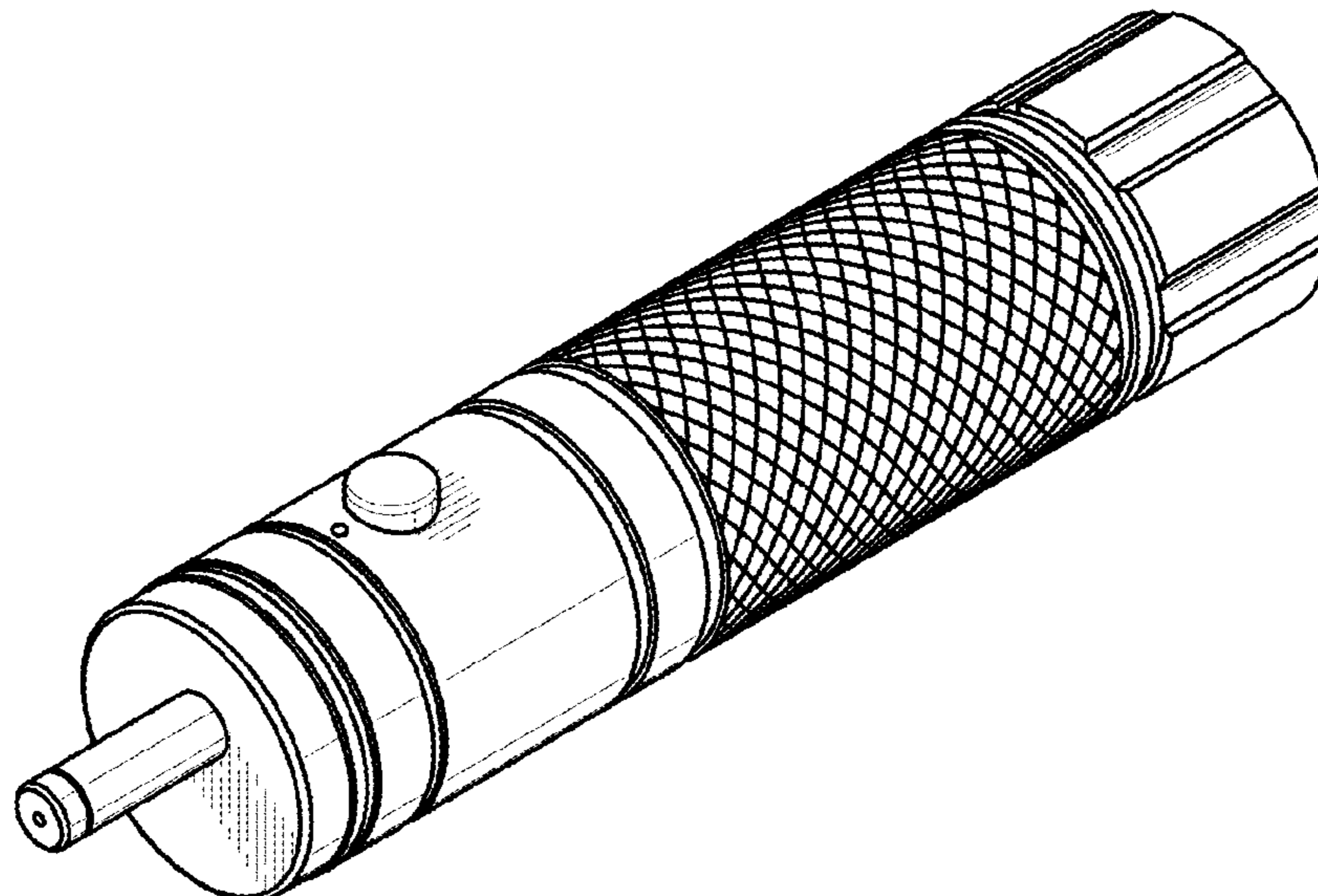
FIG. 12 is a rear elevation view thereof.

FIG. 13 is a top plan view thereof; and,

FIG. 14 is a bottom view thereof.

The subject matter depicted in broken lines forms no part of the claimed design.

**1 Claim, 4 Drawing Sheets**



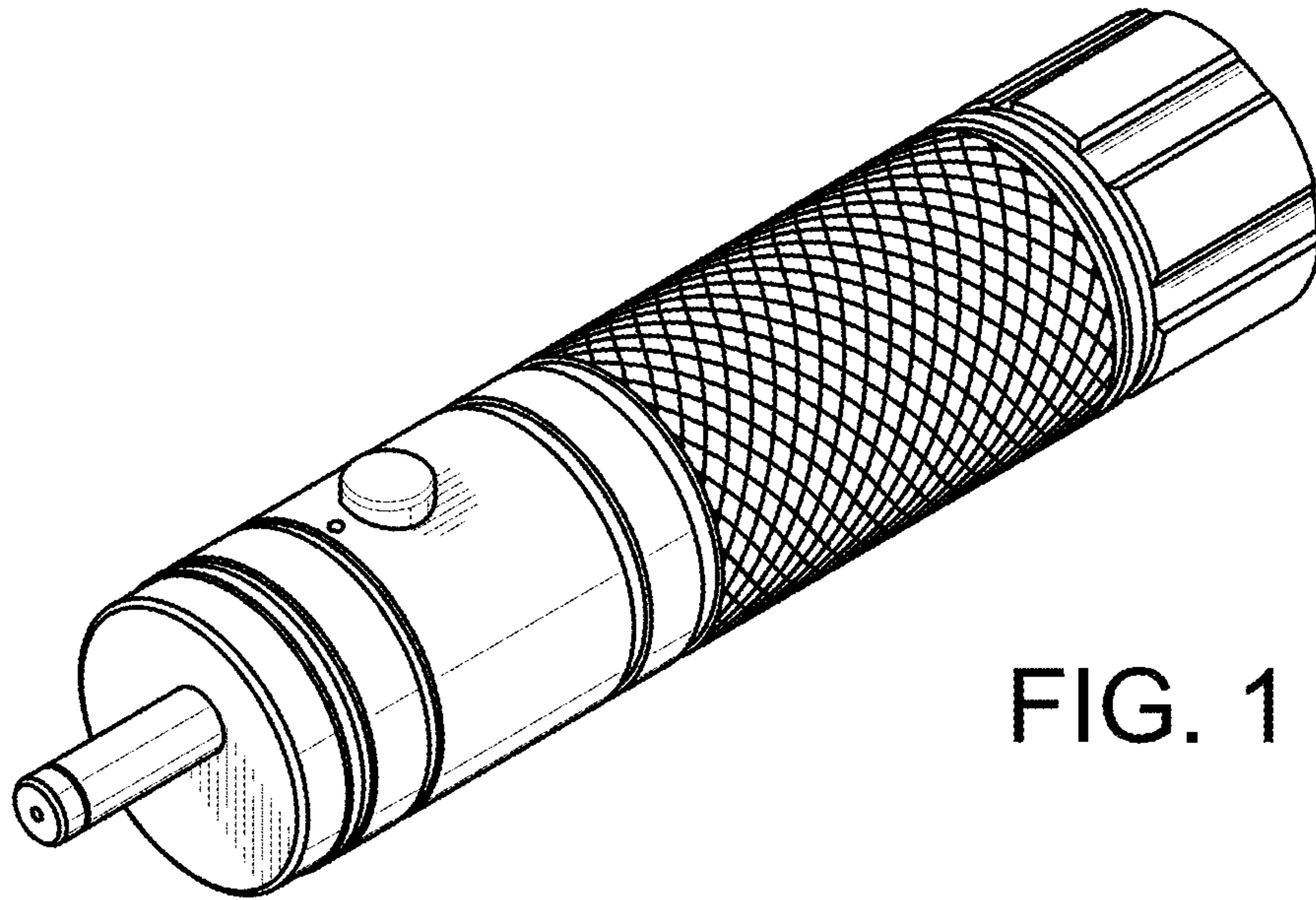


FIG. 1

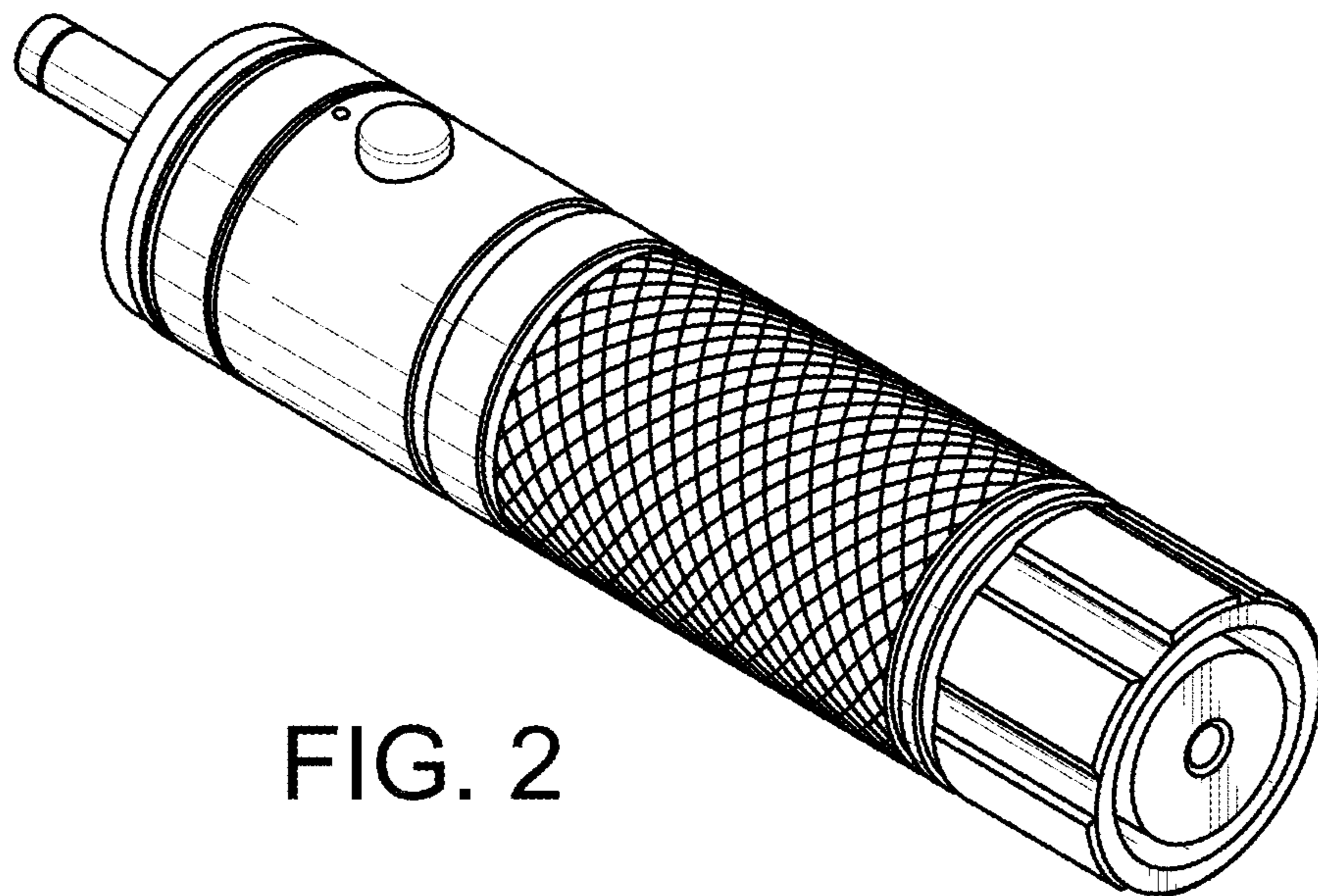


FIG. 2



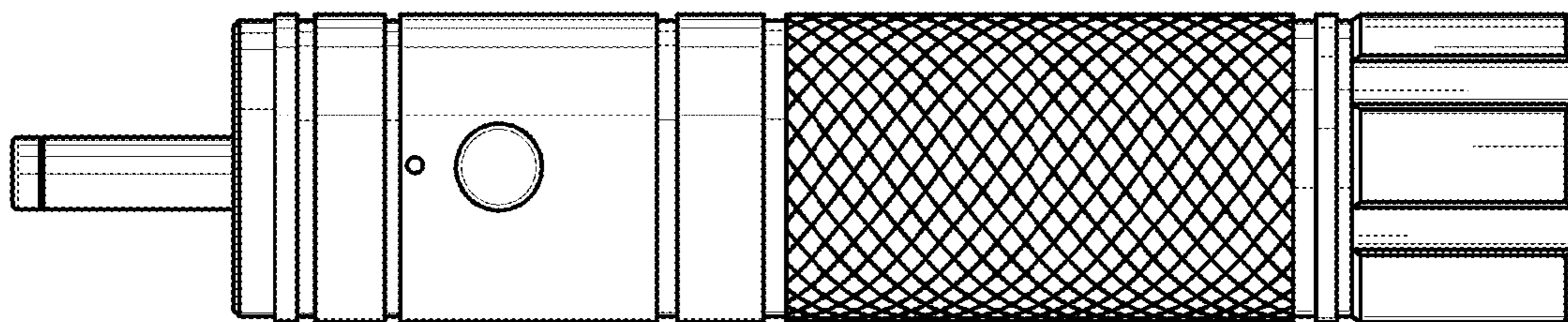


FIG. 3

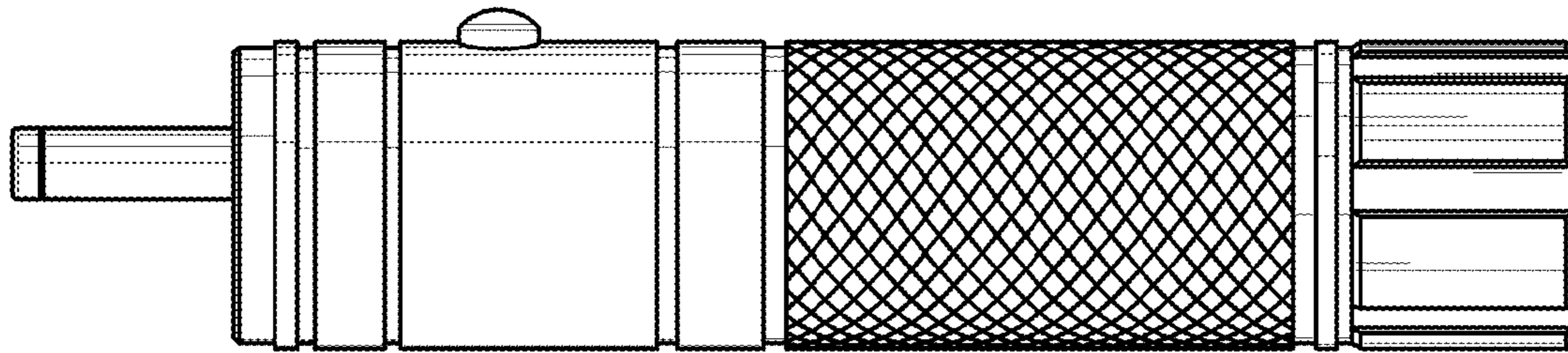


FIG. 4

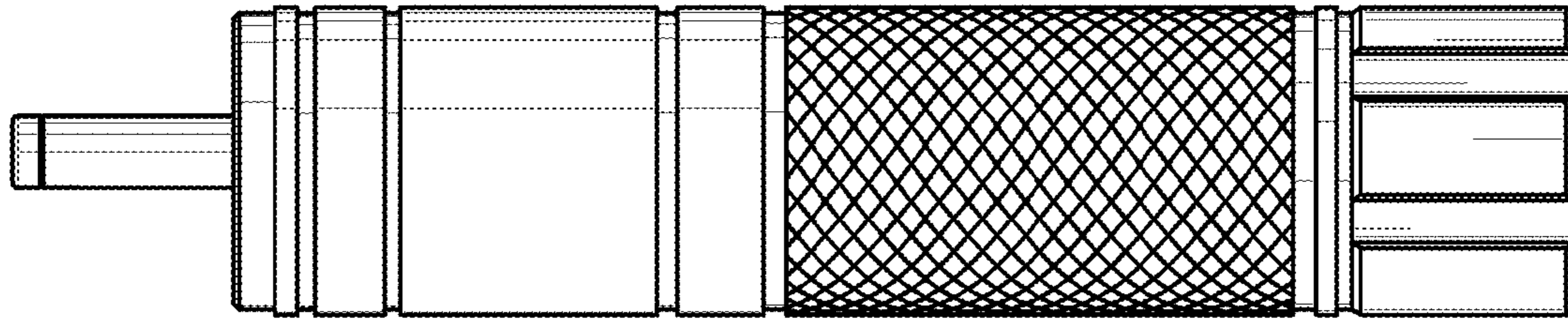


FIG. 5

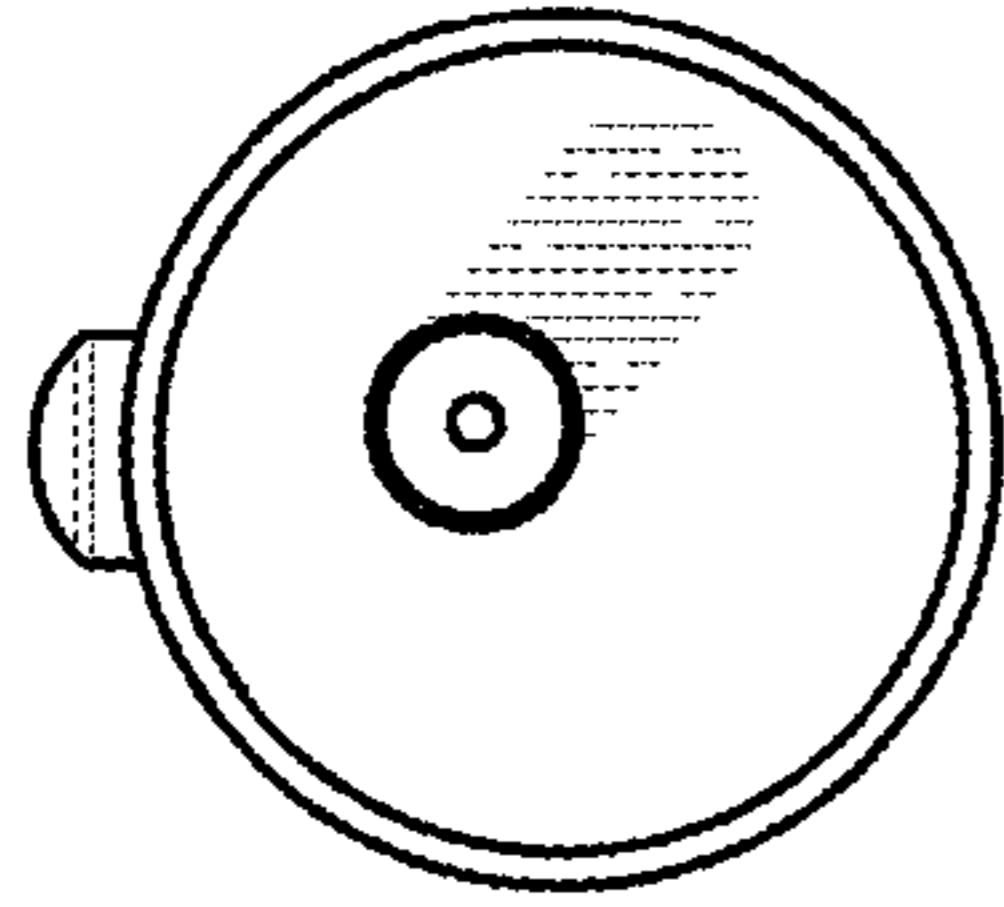


FIG. 6

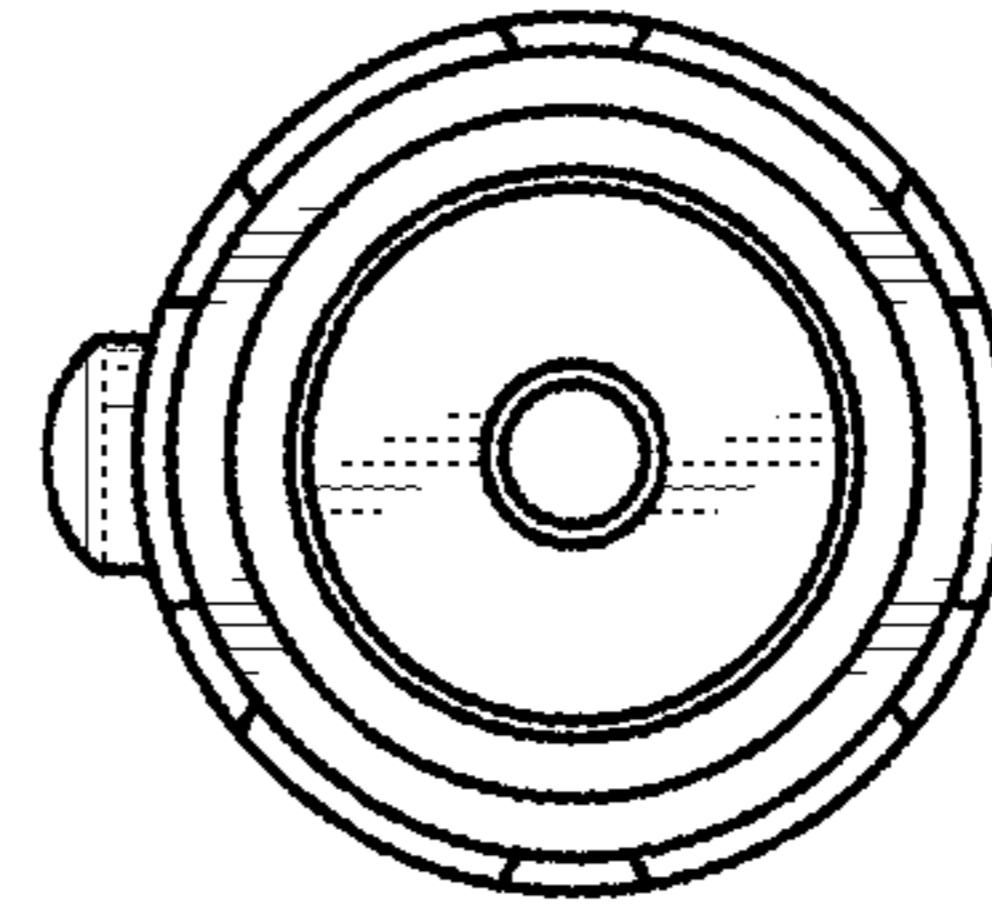


FIG. 7

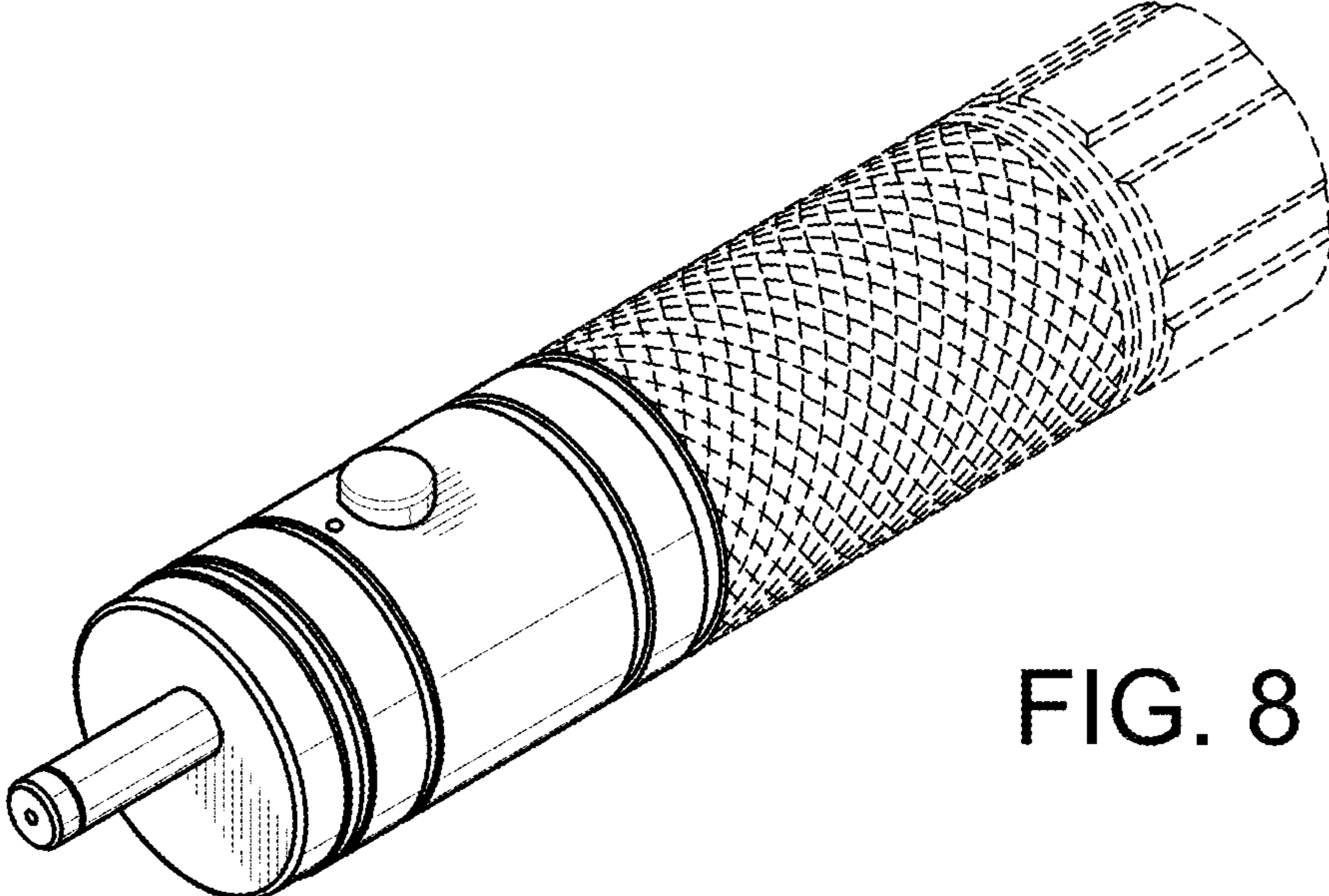


FIG. 8

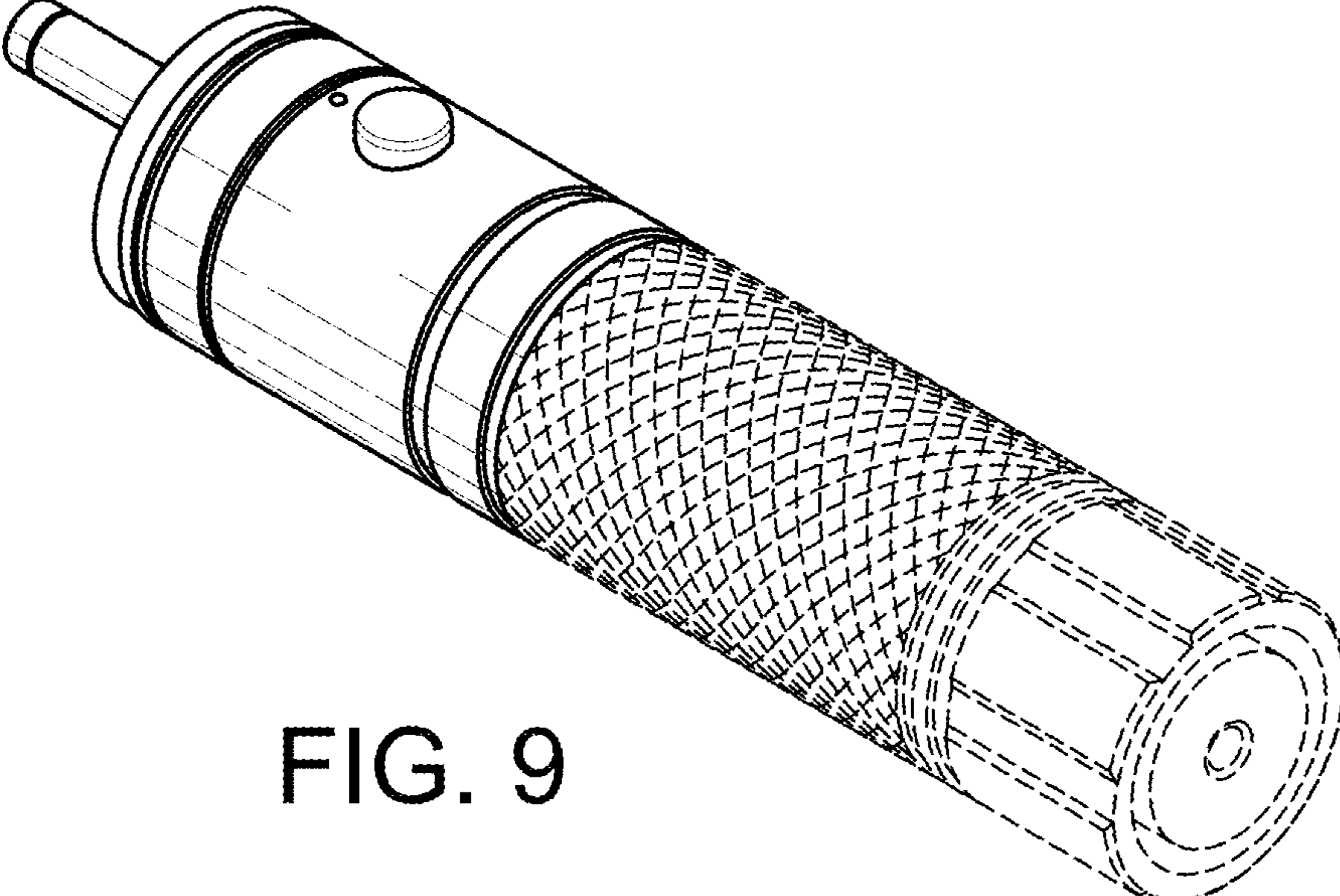


FIG. 9



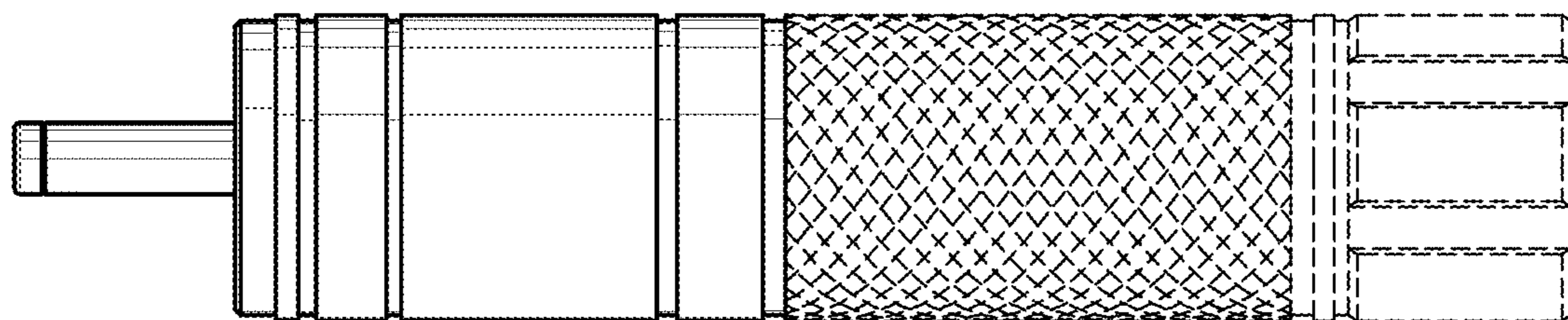


FIG. 10

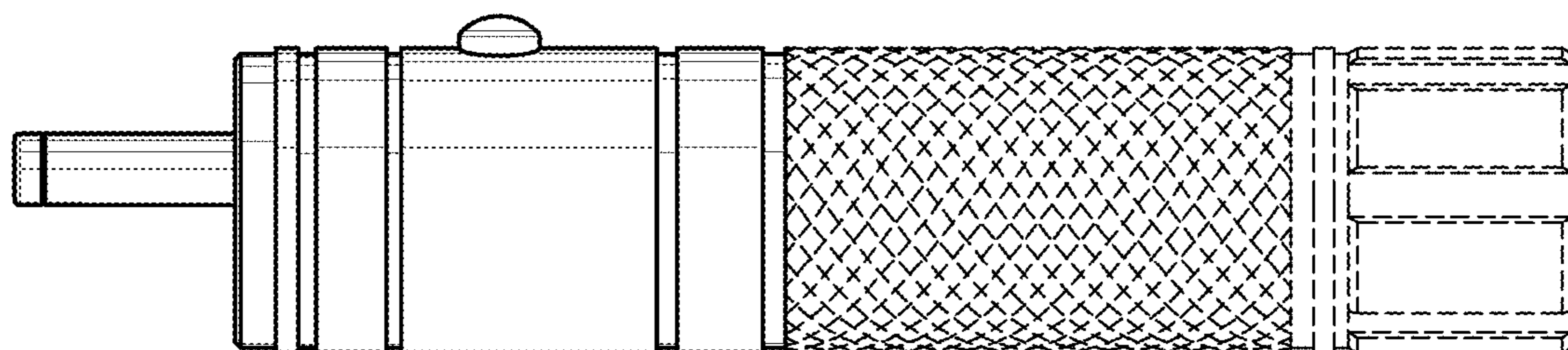


FIG. 11

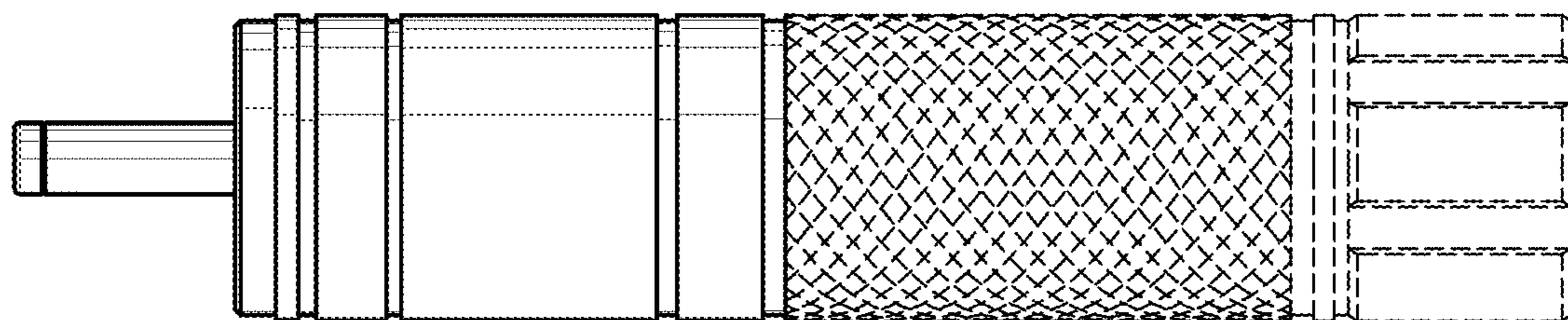


FIG. 12

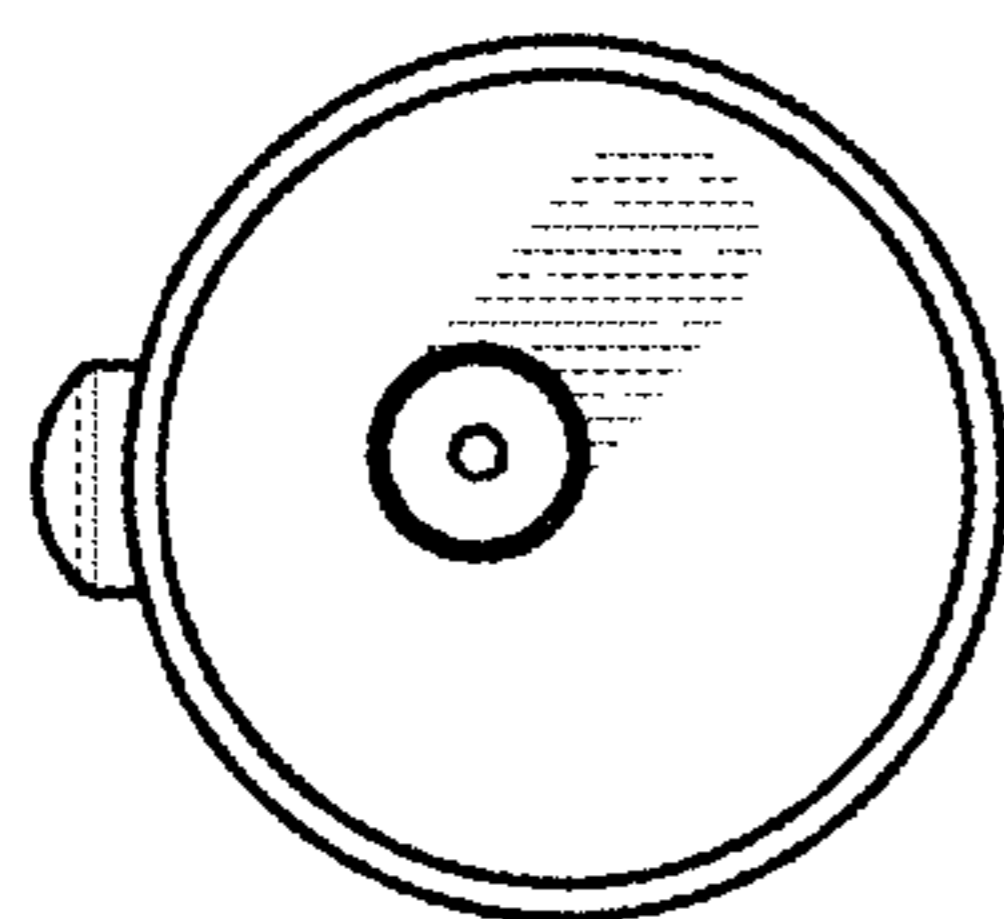


FIG. 13

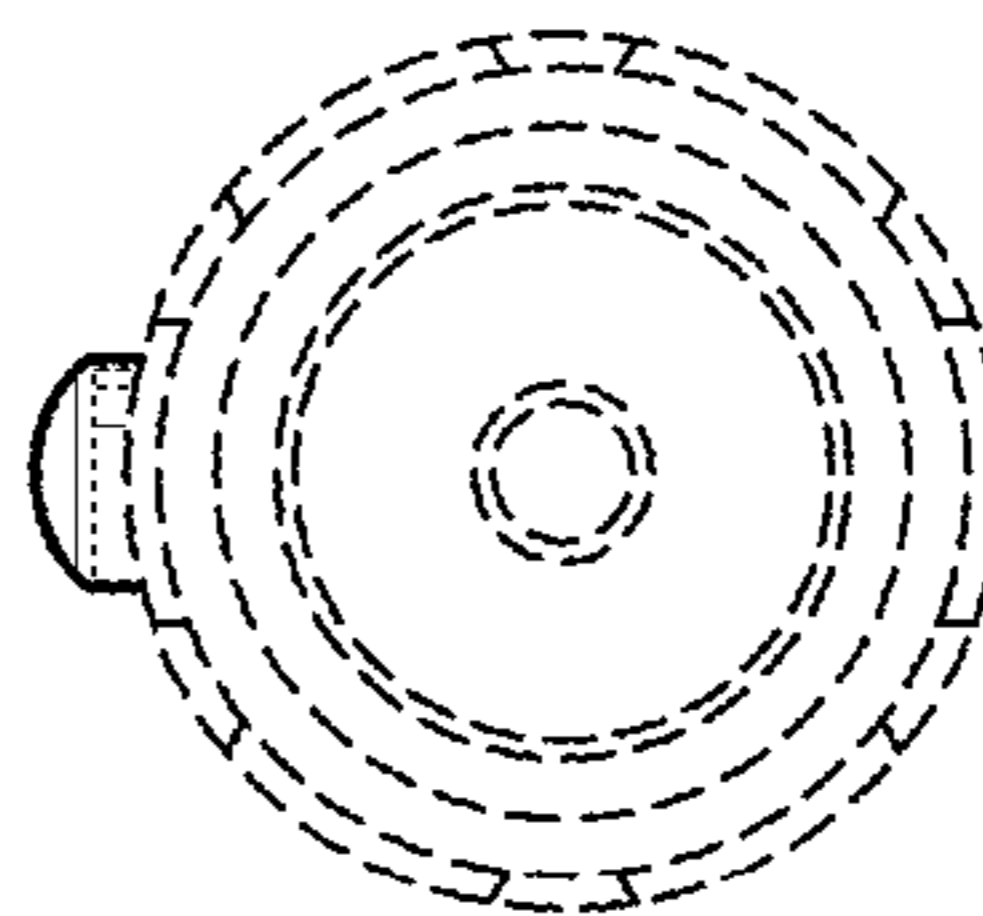


FIG. 14