



US00D873941S

(12) **United States Design Patent**
Hsu et al.

(10) **Patent No.:** **US D873,941 S**
(45) **Date of Patent:** **** Jan. 28, 2020**

(54) **INFLATABLE LOLLIPOP FLOAT**

(71) Applicant: **Intex Marketing Ltd.**, Tortola (VG)

(72) Inventors: **Yaw Yuan Hsu**, Fujian (CN); **Kun Chao Hsu**, Fujian (CN)

(73) Assignee: **Intex Marketing Ltd.**, Tortola (VG)

(**) Term: **15 Years**

(21) Appl. No.: **29/648,156**

(22) Filed: **May 18, 2018**

(30) **Foreign Application Priority Data**

Nov. 21, 2017 (CN) 2017 3 0575718

(51) **LOC (12) Cl.** **21-02**

(52) **U.S. Cl.**
USPC **D21/808**

(58) **Field of Classification Search**
USPC D21/803, 808; D6/588, 596–597;
D1/127
CPC A63H 3/06
See application file for complete search history.

(56) **References Cited**

U.S. PATENT DOCUMENTS

1,593,858	A *	7/1926	Venable	A23G 9/503 294/5.5
4,139,644	A *	2/1979	Stephenson	A21D 13/80 426/134
D387,491	S *	12/1997	Hester	D1/102
D490,963	S *	6/2004	Benson	D1/102
D490,964	S *	6/2004	Benson	D1/102
D491,337	S *	6/2004	Benson	D1/102
D704,916	S *	5/2014	Toschi	D1/102
D715,450	S *	10/2014	Bredemeier	D24/195
D816,774	S *	5/2018	Edevold	D21/343

OTHER PUBLICATIONS

Intex 58753 inflatable air mattress “Lollipop” 208×135 cm: Published Aug. 2, 2017 [online], site visited Jan. 30, 2019. Available from Internet URL: <https://www.amazon.de/Intex-58753-Luftmatratze-aufblasbar-Lollipop/dp/B07573ZYJK>.*

3C4G Lollipop Explosion Pool Float 3C4G: Published Jul. 14, 2016[online], site visited May 30, 2019. Available from Internet URL: https://www.amazon.com/dp/B01N39Y2Z5/ref=cm_sw_r_tw_dp_U_x_rRg8Cb1QEZ0XD (Year: 2016).*

Intex 58753—Materassino Lollipop—Stampa Realistica, Multicolore,: Published Sep. 26, 2017[online], site visited May 31, 2019. Available from Internet URL: https://www.amazon.it/dp/B07573ZYJK/ref=cm_sw_r_tw_dp_U_x_svd8CbDNCVEC4 (Year: 2017).*

Intex, Popsicle Float and Ice Cream Cone Float, 2017 Endless Summer Catalog, p. 55, Copyright 2016.

* cited by examiner

Primary Examiner — Jack Reickel

Assistant Examiner — Melvin L Davis

(74) *Attorney, Agent, or Firm* — Faegre Baker Daniels LLP

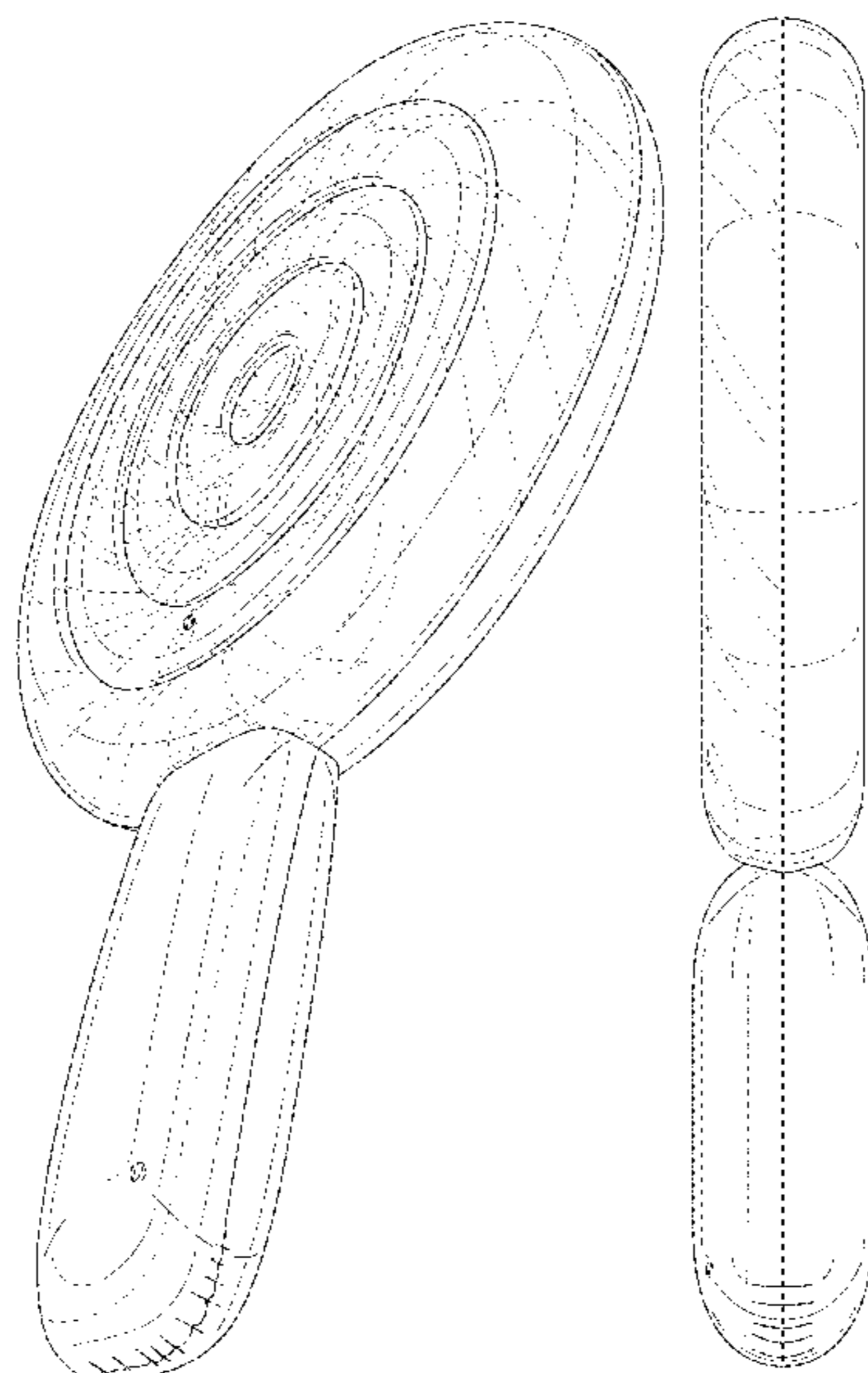
(57) **CLAIM**

We claim the ornamental design for an inflatable lollipop float, as shown and described.

DESCRIPTION

FIG. 1 is a perspective view of an inflatable lollipop float; FIG. 2 is a top plan view thereof; FIG. 3 is a bottom plan view thereof; FIG. 4 is a left side elevational view thereof; FIG. 5 is a right side elevational view thereof; FIG. 6 is a front elevational view thereof; and, FIG. 7 is a rear side elevational view thereof. The broken lines in FIGS. 1-7 represent portions of the inflatable lollipop float that form no part of the claimed design.

1 Claim, 5 Drawing Sheets



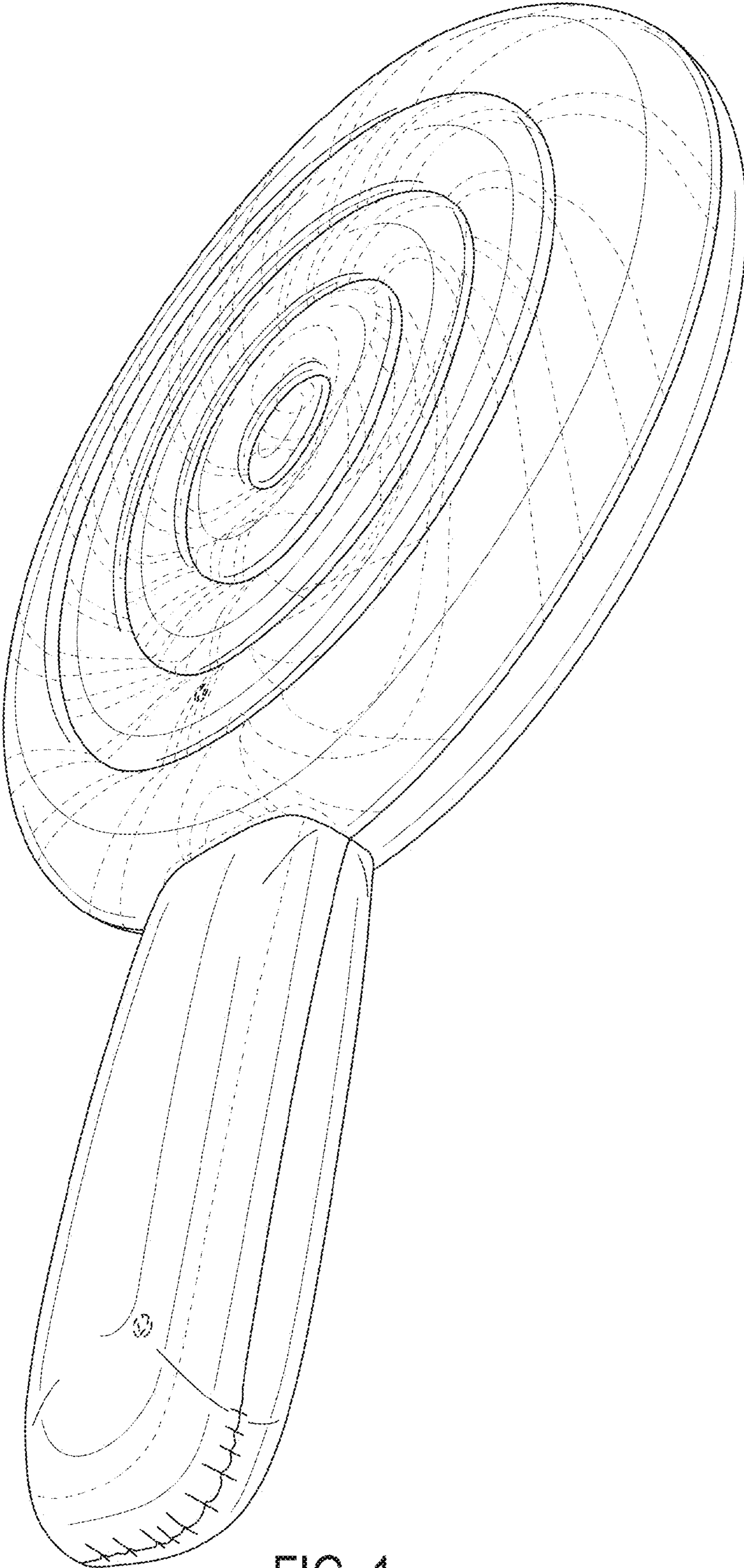


FIG. 1

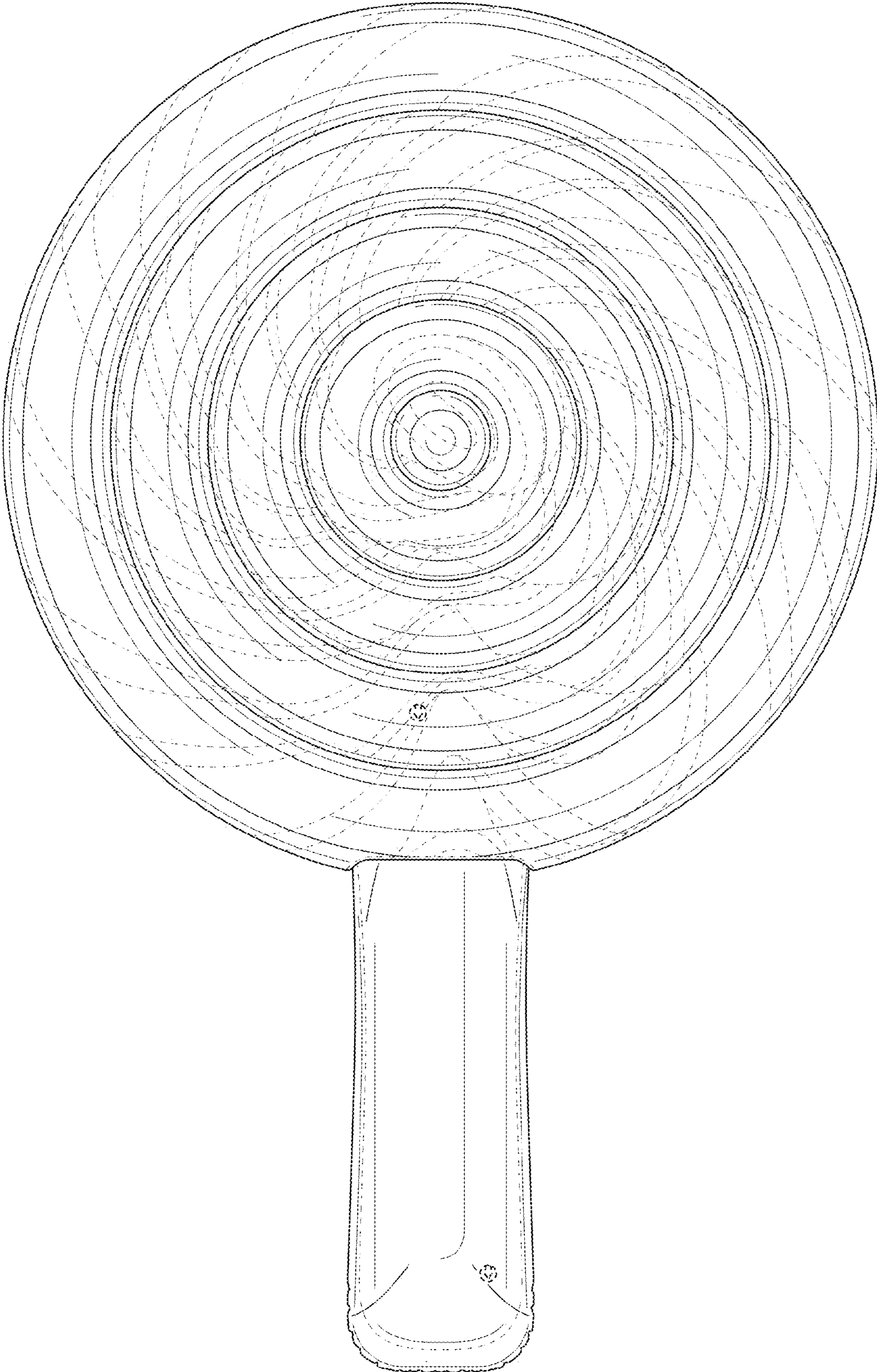


FIG. 2

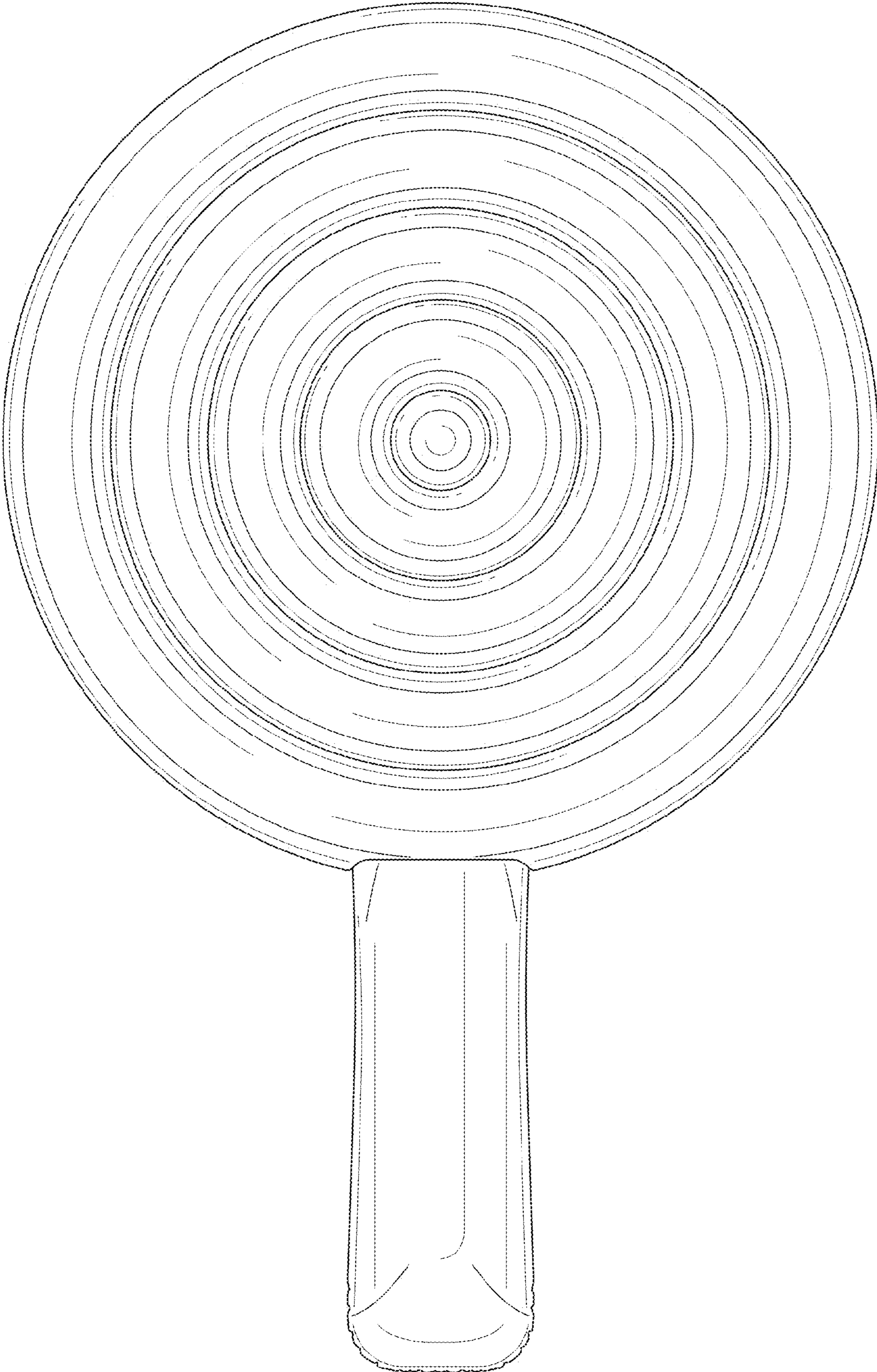


FIG. 3

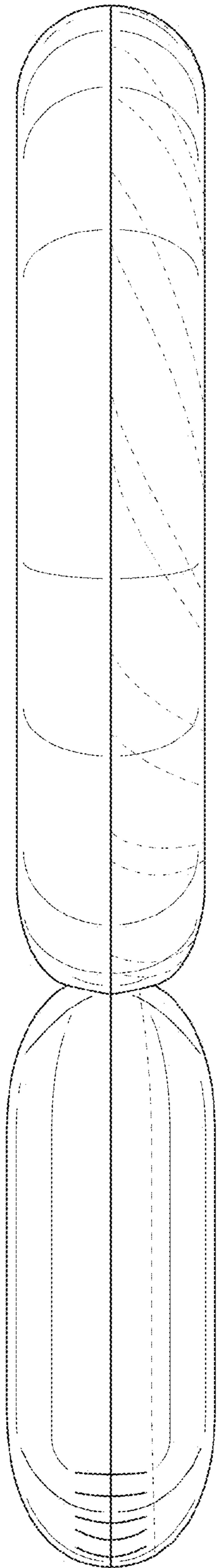


FIG. 4

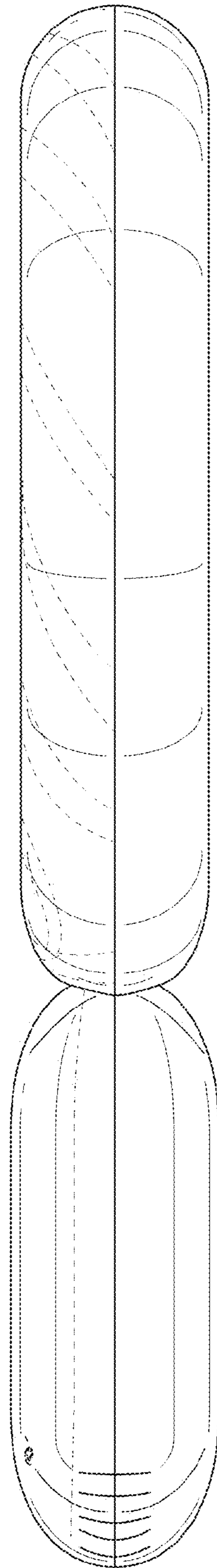


FIG. 5

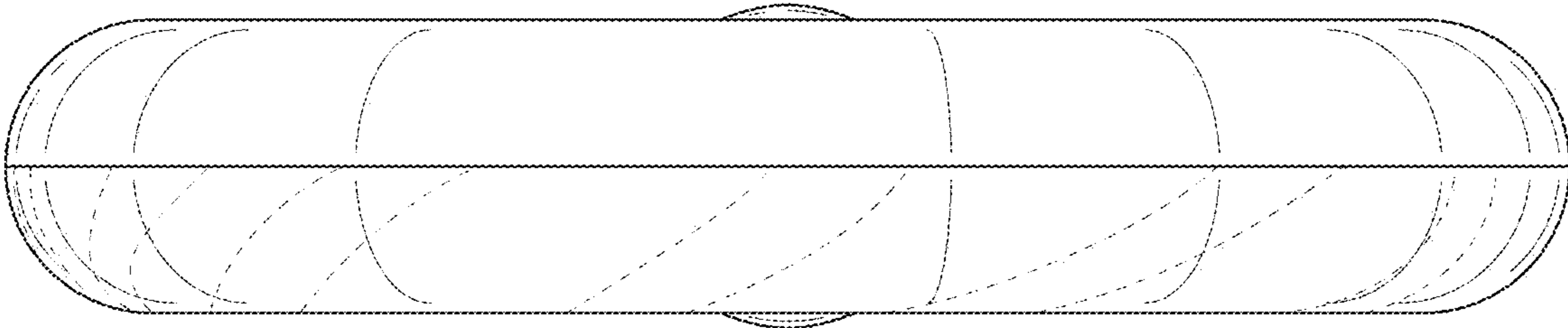


FIG. 6

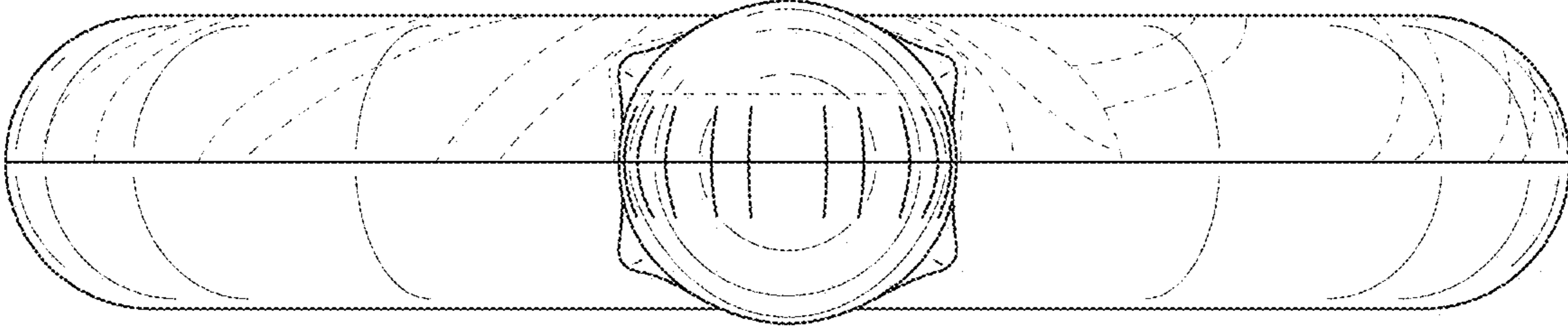


FIG. 7

UNITED STATES PATENT AND TRADEMARK OFFICE
CERTIFICATE OF CORRECTION

PATENT NO. : D873,941 S
APPLICATION NO. : 29/648156
DATED : January 28, 2020
INVENTOR(S) : Yaw Yuan Hsu et al.

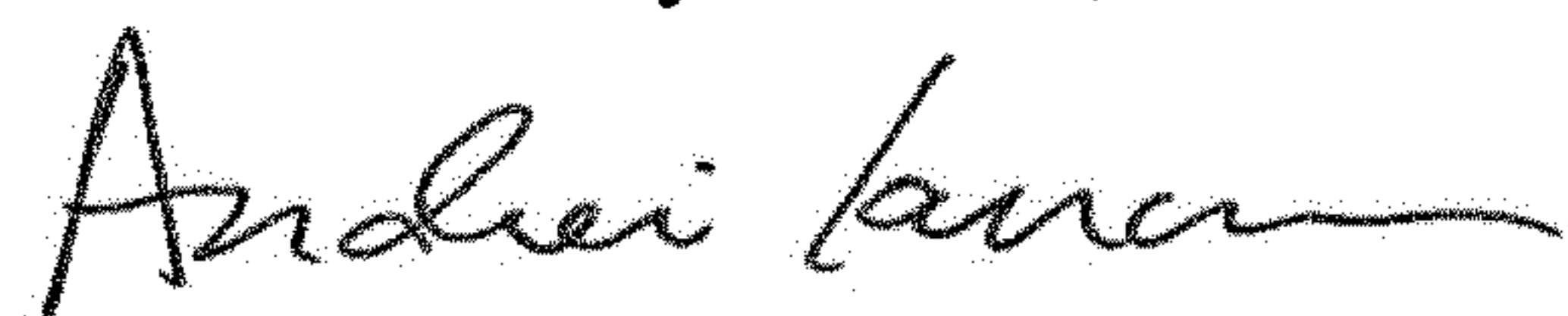
Page 1 of 1

It is certified that error appears in the above-identified patent and that said Letters Patent is hereby corrected as shown below:

On the Title Page

Column 1, item (30) under Foreign Application Priority Data, Please amend the foreign priority reference number to read "201730575718.8".

Signed and Sealed this
Ninth Day of June, 2020



Andrei Iancu
Director of the United States Patent and Trademark Office