



US00D873939S

(12) **United States Design Patent**
Schwimmer

(10) **Patent No.:** **US D873,939 S**

(45) **Date of Patent:** **** Jan. 28, 2020**

(54) **AQUATIC TOWABLE PIZZA PIE ISLAND
FLOAT**

D476,712 S * 7/2003 Peterson D21/803
D775,295 S * 12/2016 Wampold D1/106
D855,726 S * 8/2019 Schwimmer D21/808

(71) Applicant: **International Leisure Products, Inc.**,
Edgewood, NY (US)

* cited by examiner

(72) Inventor: **Larry Schwimmer**, New York, NY
(US)

Primary Examiner — Zenia I Bennett

(74) *Attorney, Agent, or Firm* — Ware, Fressola, Maguire
& Barber LLP

(73) Assignee: **International Leisure Products, Inc.**,
Edgewood, NY (US)

(57) **CLAIM**

The ornamental design for an aquatic towable pizza pie island float, as shown and described.

(**) Term: **15 Years**

DESCRIPTION

(21) Appl. No.: **29/645,883**

(22) Filed: **Apr. 30, 2018**

(51) **LOC (12) Cl.** **21-02**

(52) **U.S. Cl.**
USPC **D21/801**

(58) **Field of Classification Search**
USPC D21/769–770, 801, 803, 809; D12/5, 6,
D12/316; D6/392, 595, 596, 601, 604,
D6/605

CPC B63B 35/00; B63B 35/001; B63B 35/58;
B63B 35/73; B63B 35/78

See application file for complete search history.

FIG. 1 is a front perspective view of an aquatic towable pizza pie island float in accordance with the invention.

FIG. 2 is a top view of the aquatic towable pizza pie island float in accordance with the invention.

FIG. 3 is a bottom view of the aquatic towable pizza pie island float in accordance with the invention.

FIG. 4 is a first side view of the aquatic towable pizza pie island float in accordance with the invention.

FIG. 5 is a second side view of the aquatic towable pizza pie island float in accordance with the invention, wherein the second side is opposite the first side.

FIG. 6 is a front view of the aquatic towable pizza pie island float in accordance with the invention; and,

FIG. 7 is a rear view of the aquatic towable pizza pie island float in accordance with the invention.

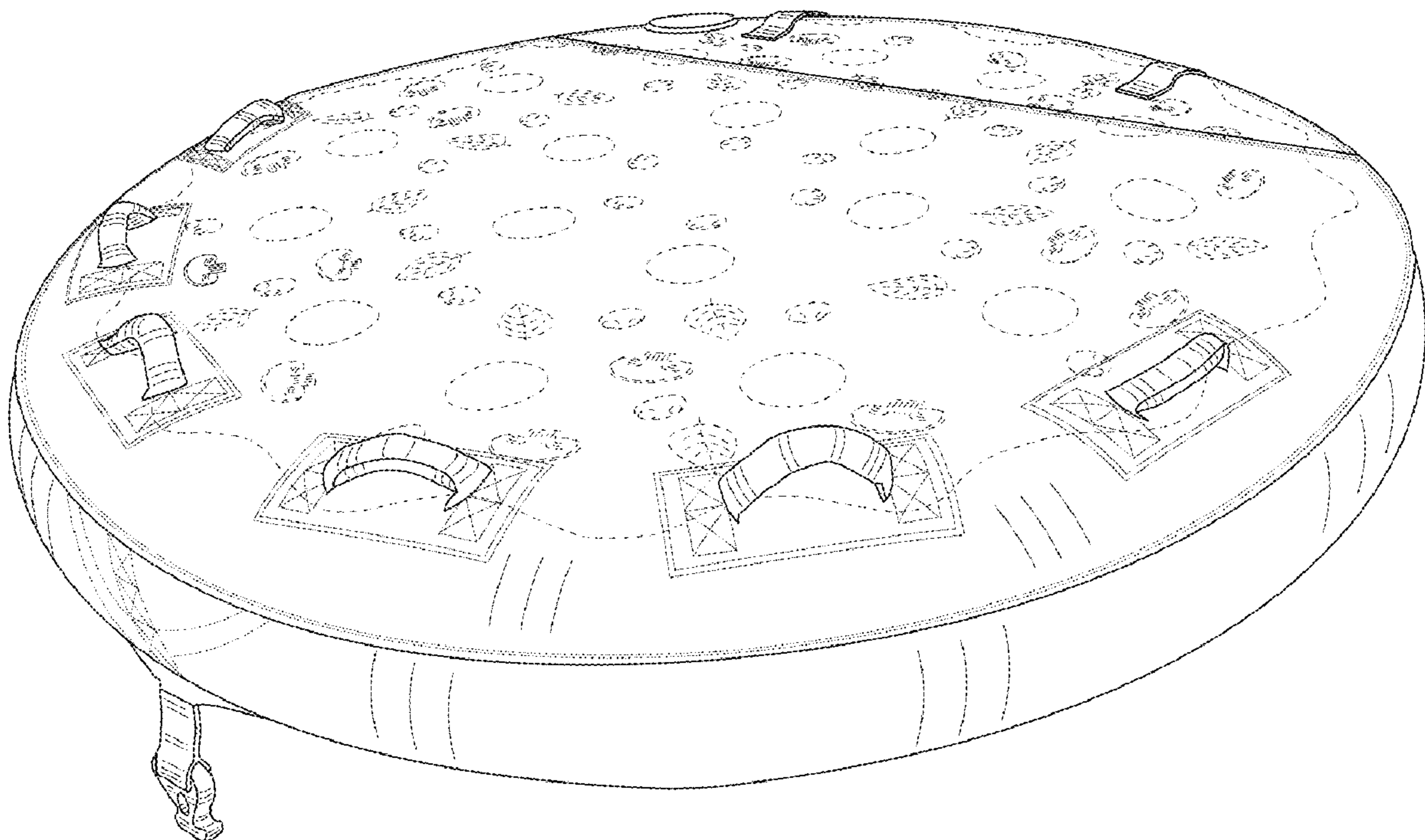
The broken lines shown in FIGS. 1-7 of various features of the aquatic towable pizza pie island float are for illustrative purposes only and form no part of the claimed design.

(56) **References Cited**

U.S. PATENT DOCUMENTS

D384,720 S * 10/1997 Spomer D21/803
D428,466 S * 7/2000 Langley, III D21/808
D429,787 S * 8/2000 Peterson D21/803

1 Claim, 6 Drawing Sheets



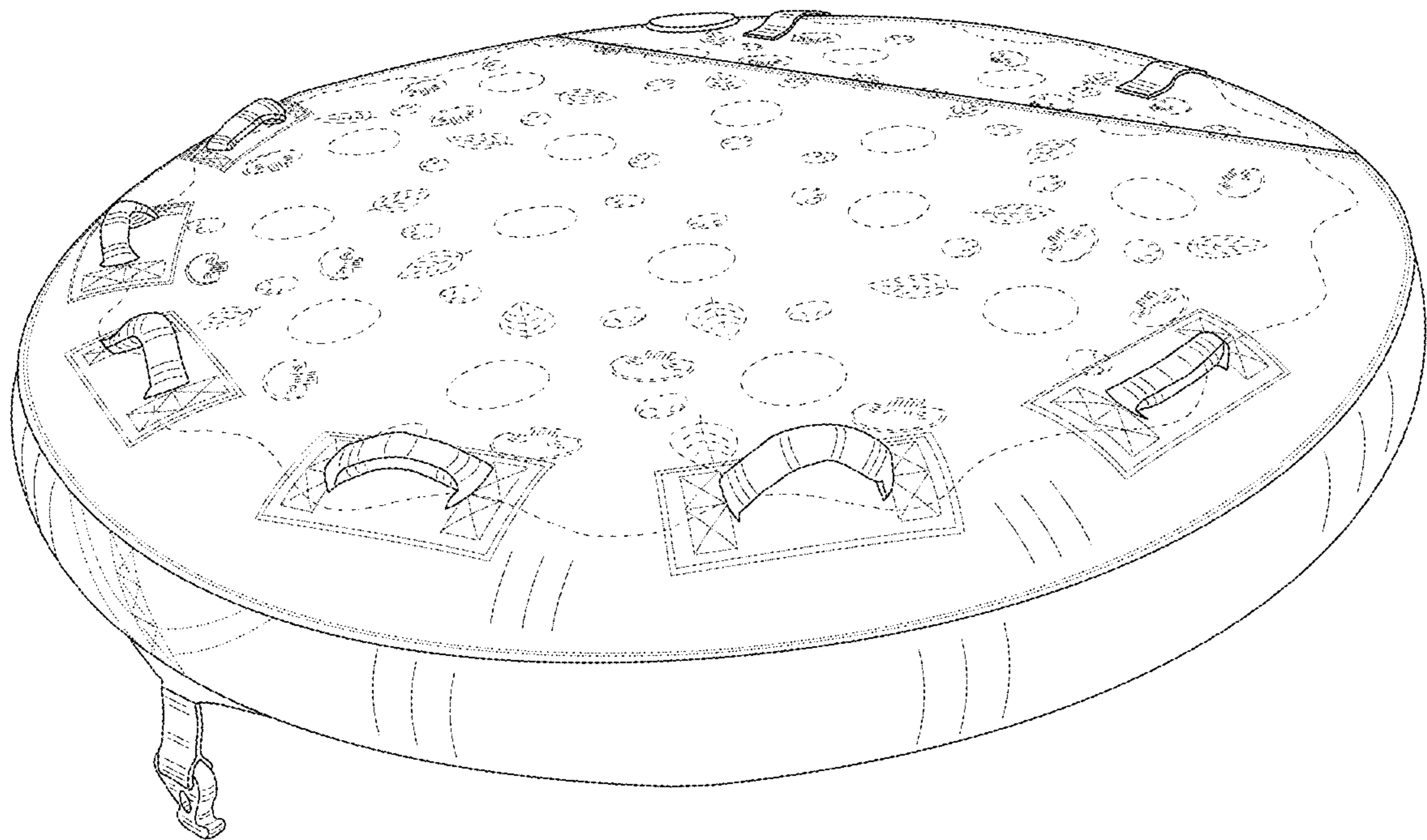


Fig. 1

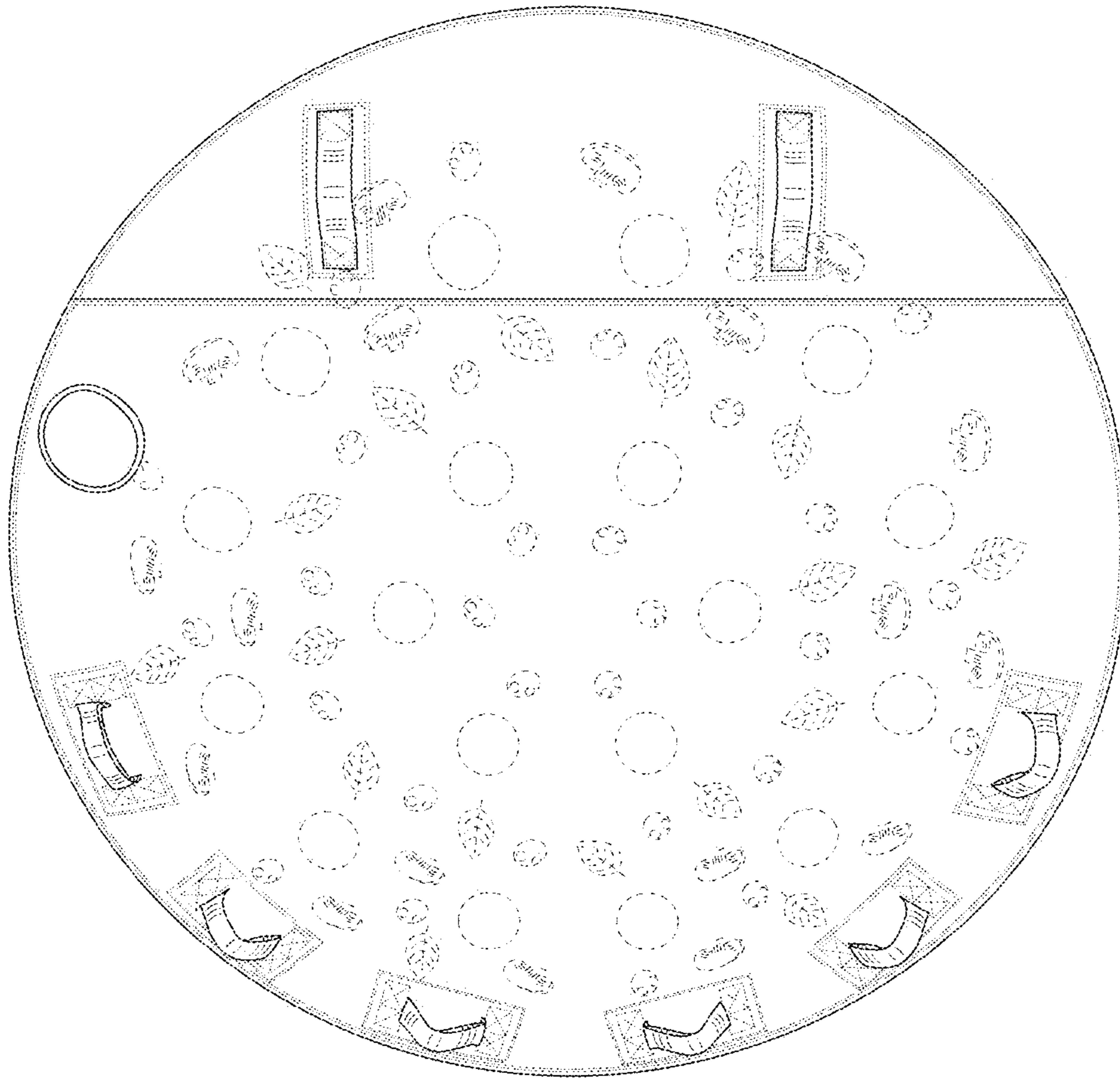


Fig. 2

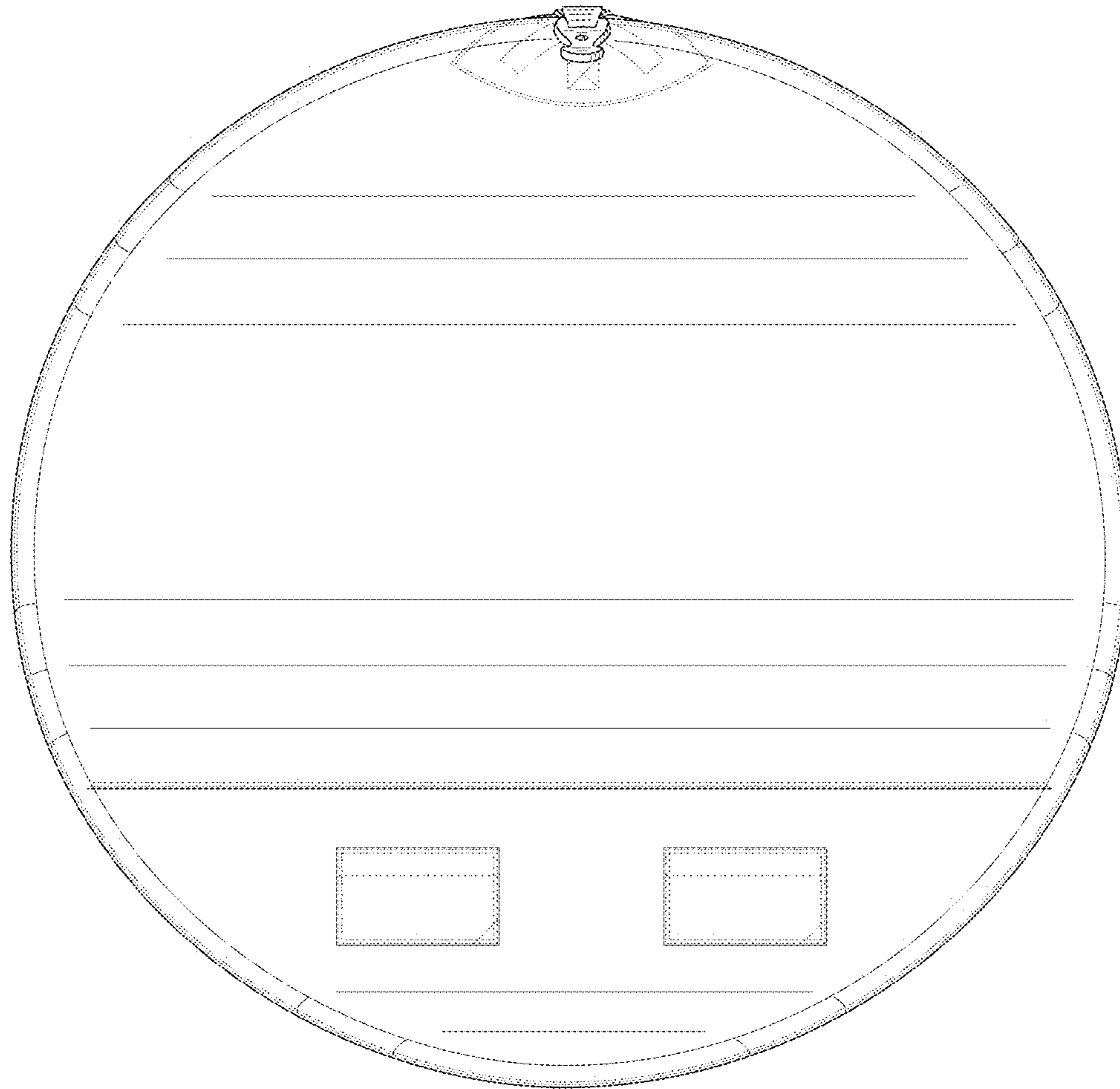


Fig. 3

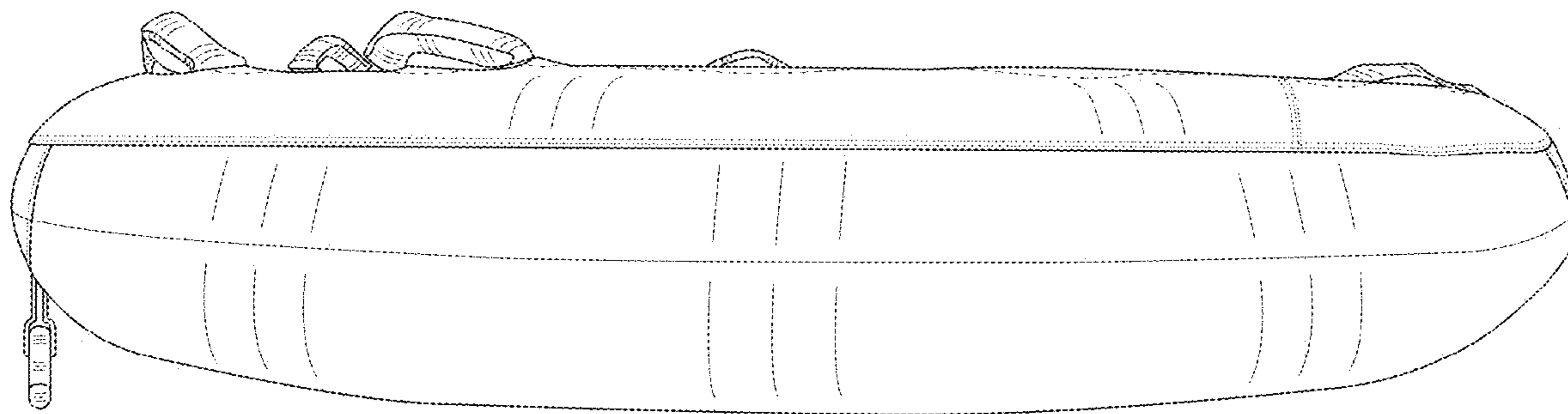


Fig. 4

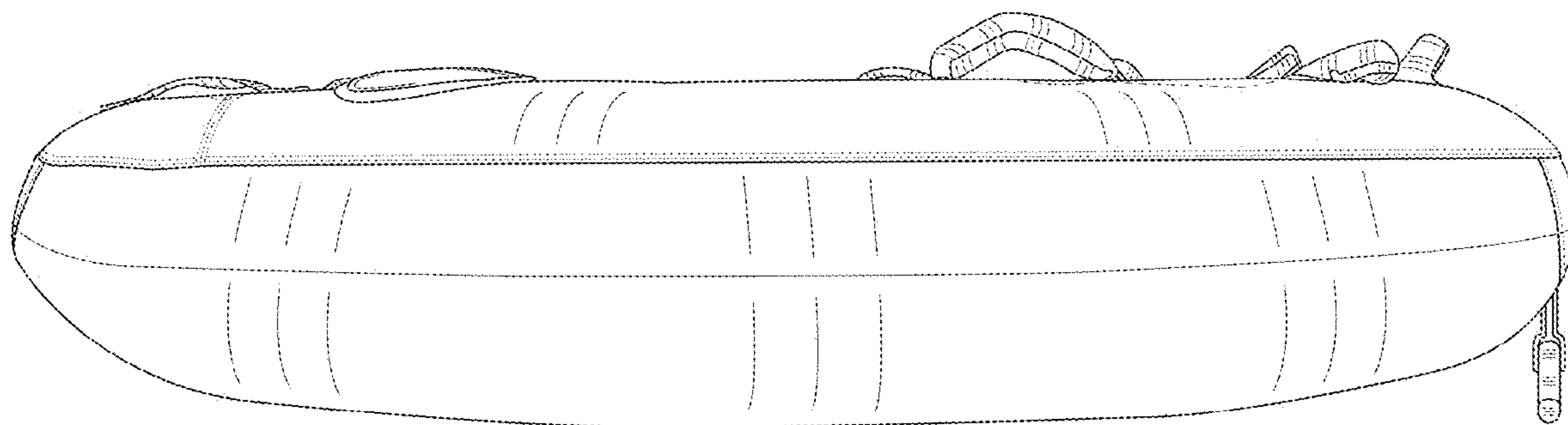


Fig. 5

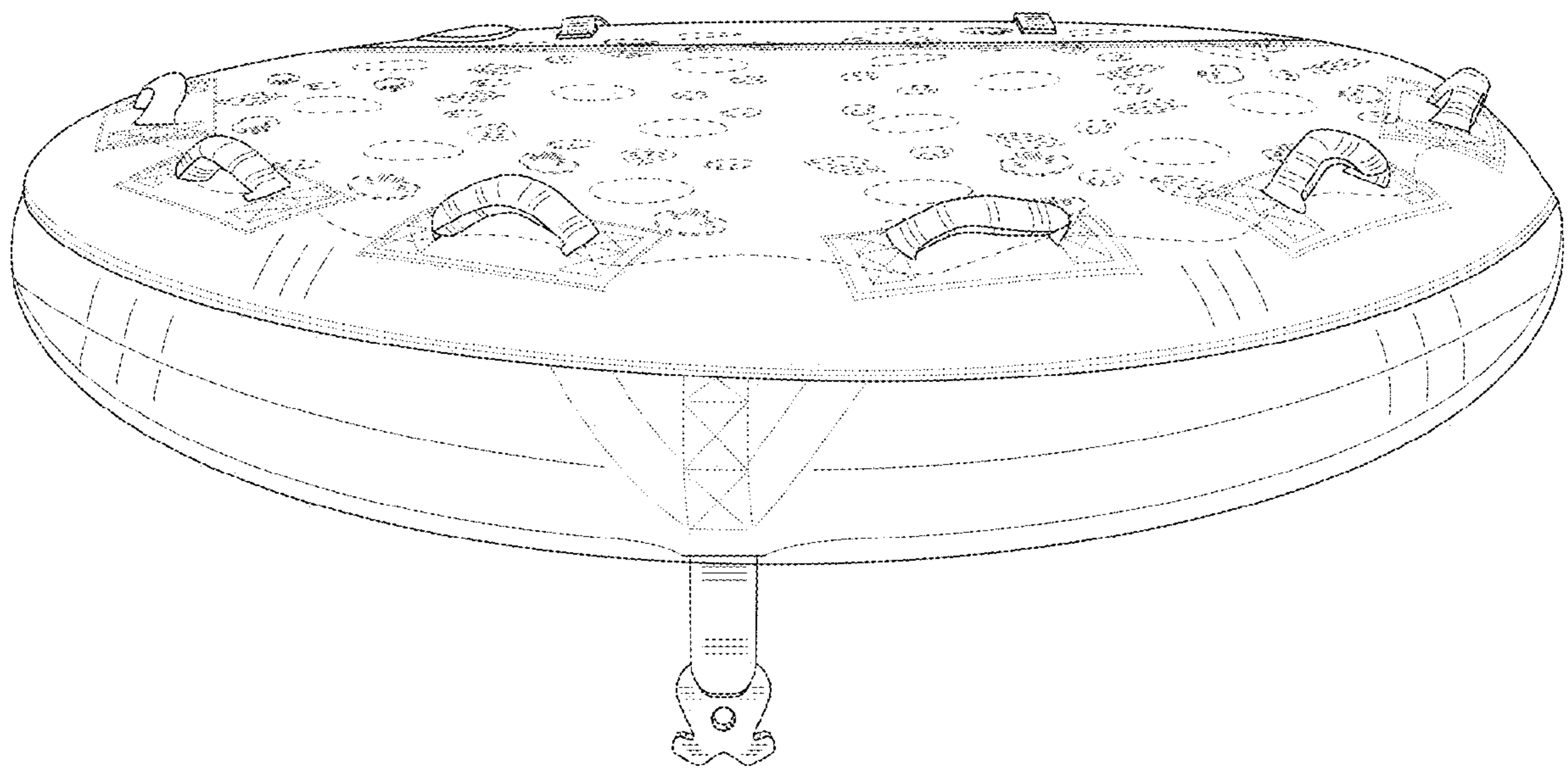


Fig. 6

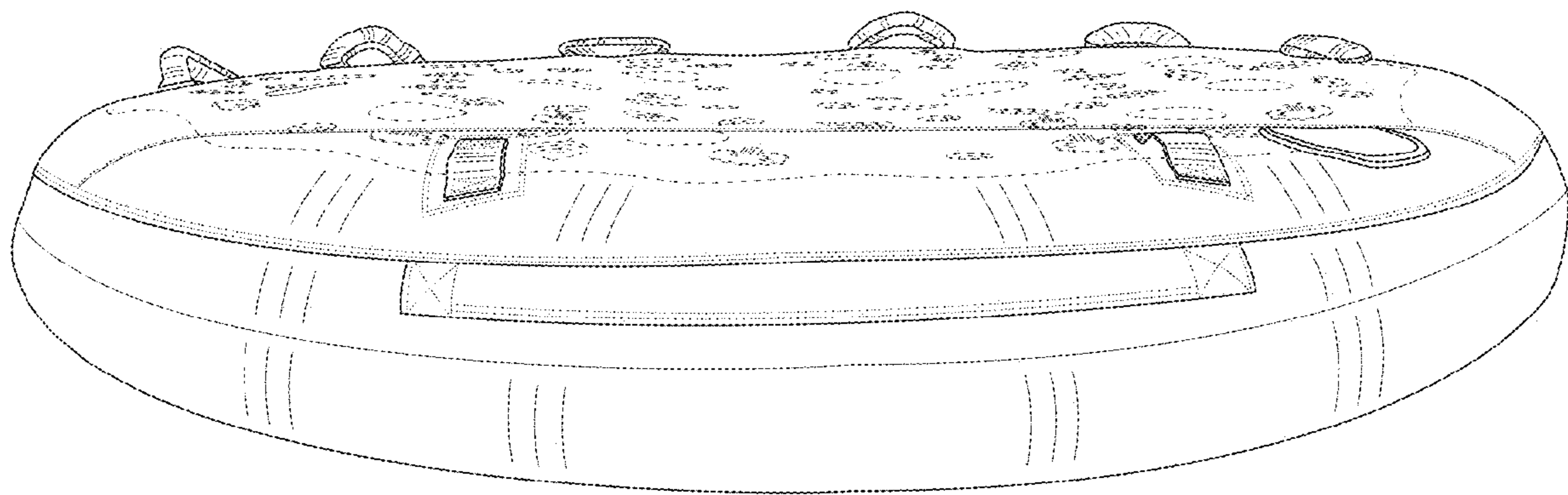


Fig. 7