



US00D873938S

(12) **United States Design Patent**
Wagner et al.

(10) **Patent No.:** **US D873,938 S**
(45) **Date of Patent:** **** Jan. 28, 2020**

- (54) **GRAPPLING DUMMY**
- (71) Applicants: **Abraham Mark Wagner**, Papillion, NE (US); **Joseph Paul Wilk**, Manhattan, KS (US)
- (72) Inventors: **Abraham Mark Wagner**, Papillion, NE (US); **Joseph Paul Wilk**, Manhattan, KS (US)
- (**) Term: **15 Years**
- (21) Appl. No.: **29/689,341**
- (22) Filed: **Apr. 29, 2019**
- Related U.S. Application Data**
- (63) Continuation of application No. 29/599,958, filed on Apr. 7, 2017, now Pat. No. Des. 847,286.
- (51) **LOC (12) Cl.** **21-02**
- (52) **U.S. Cl.**
USPC **D21/798**
- (58) **Field of Classification Search**
USPC D8/300; D7/625, 524; D3/246; D29/100; D28/93; D24/211; D21/803, D21/798, 788, 787, 771, 698, 694, 686, D21/682, 680, 662; D20/32, 31; D19/59; D11/150; D1/106; 5/640; 482/93, 90, 88, 87, 85, 83, 55, 44, 41, 482/122, 108, 106; 473/444, 443; 450/59; 434/94, 256, 247; 223/67; 2/18; 190/109; 156/293; 132/53
CPC ... A63B 69/201; A63B 69/205; A63B 69/208; A63B 69/345; A63B 69/20; A63B 69/004; A63B 69/34
See application file for complete search history.

- 4,770,412 A * 9/1988 Wolfe A63B 69/201 446/226
- D311,564 S * 10/1990 Wolfe D21/623
- 5,256,069 A 10/1993 Snowden, Jr. et al.
- D369,186 S * 4/1996 Hann D20/31
- (Continued)

OTHER PUBLICATIONS

BJJ-9000 by BJJ-9000 dated Nov. 21, 2017. Found online [Nov. 20, 2018] <https://www.youtube.com/watch?v=RqS7JV1-NyU>.
(Continued)

Primary Examiner — Ryan Harvey
(74) *Attorney, Agent, or Firm* — Erik M. Antonson; Advent, LLP

(57) **CLAIM**

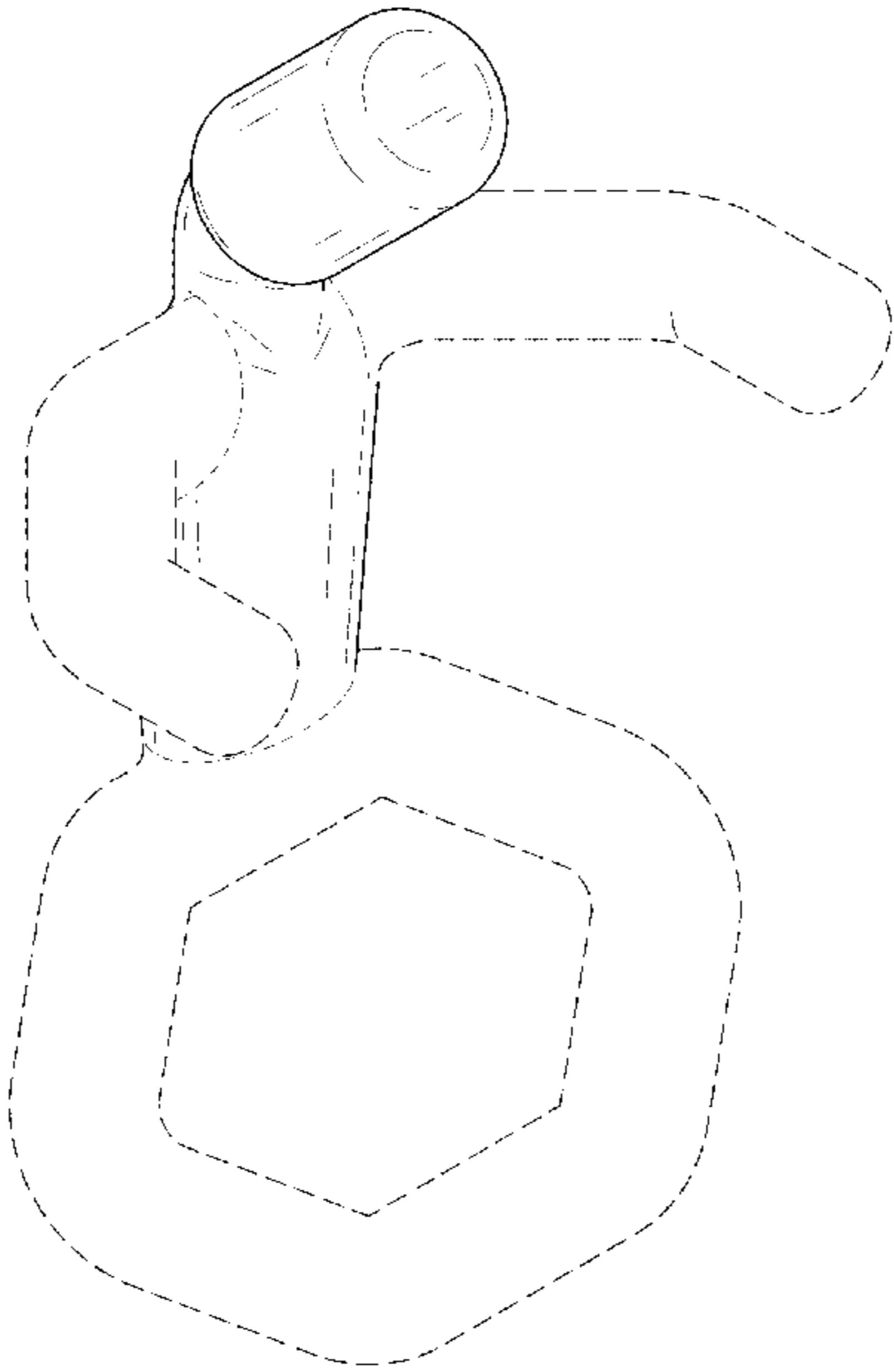
The ornamental design for a grappling dummy, as shown and described.

DESCRIPTION

FIG. 1 is a top view of a grappling dummy.
FIG. 2 is a bottom view of the grappling dummy of FIG. 1.
FIG. 3 is a left side view of the grappling dummy of FIG. 1.
FIG. 4 is a right side view of the grappling dummy of FIG. 1.
FIG. 5 is a front view of the grappling dummy of FIG. 1.
FIG. 6 is a rear view of the grappling dummy of FIG. 1; and, FIG. 7 is an isometric view of the grappling dummy of FIG. 1.
In the drawings, the evenly-spaced broken represent portions of the grappling dummy that form no part of the claimed design; the dash-dot-dash lines represent boundaries of the claimed design and form no part thereof.

1 Claim, 7 Drawing Sheets

- (56) **References Cited**
- U.S. PATENT DOCUMENTS
- 3,421,759 A * 1/1969 Chambers A63B 69/34 482/89
- D239,849 S * 5/1976 Kopp D21/788



(56)

References Cited

U.S. PATENT DOCUMENTS

D377,201 S * 1/1997 Howard D21/787
 D402,725 S * 12/1998 Anterhaus D21/787
 6,110,002 A * 8/2000 Langton A63H 3/46
 446/373
 6,139,328 A 10/2000 Picotte
 D584,785 S 1/2009 McDonald
 7,938,759 B1 * 5/2011 Gaynor A63B 69/004
 482/83
 8,439,809 B2 * 5/2013 MacHado A63B 69/34
 482/83
 D697,157 S 1/2014 Siklosi et al.
 D709,976 S * 7/2014 Clauder D21/787
 D731,012 S 6/2015 Gilman
 9,050,514 B1 6/2015 Mirza
 D792,933 S 7/2017 Warner
 D799,623 S * 10/2017 Pajonk-Taylor D21/787
 D812,171 S 3/2018 Rodriguez
 D847,286 S * 4/2019 Wagner D21/798
 2011/0256990 A1 10/2011 Machado et al.
 2013/0137554 A1 5/2013 Knight
 2013/0231222 A1 * 9/2013 Hall A63B 69/34
 482/83
 2014/0378281 A1 12/2014 Mazi
 2018/0290039 A1 10/2018 Wagner et al.
 2019/0232141 A1 * 8/2019 Gray A63B 69/345

OTHER PUBLICATIONS

BJJ-9000 Jiu Jitsu Accelerator by bjj 9000 dated no date given.
 Found online [Nov. 20, 2018] <https://bjj9000.com/products/bjj-9000-jiu-jitsu-accelerator>.
 Bjj9k by bjj9k dated Nov. 18, 2017. Found online [Nov. 20, 2018]
<https://www.instagram.com/p/BbgXUXPFIFE/>.

* cited by examiner

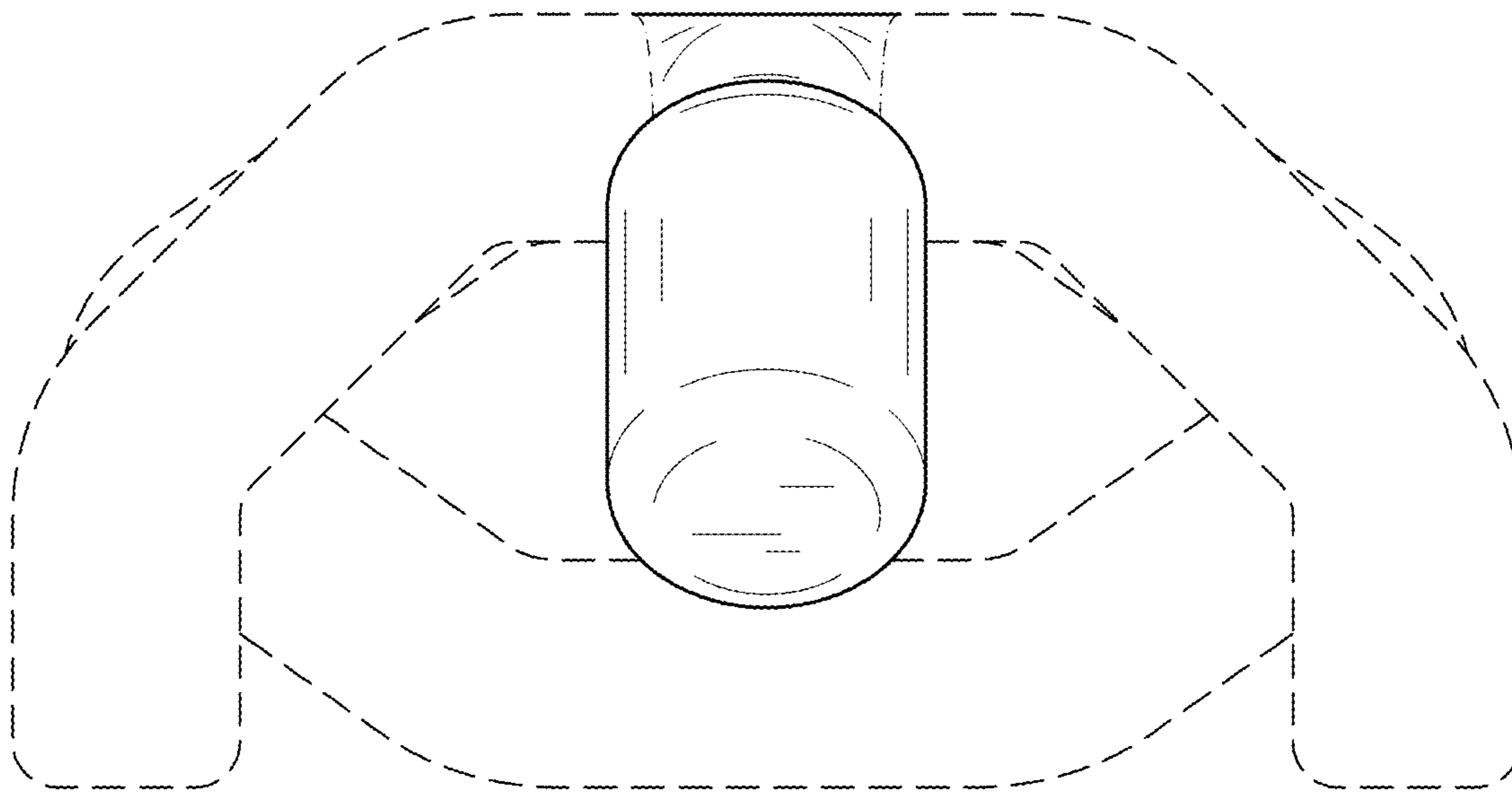


FIG. 1

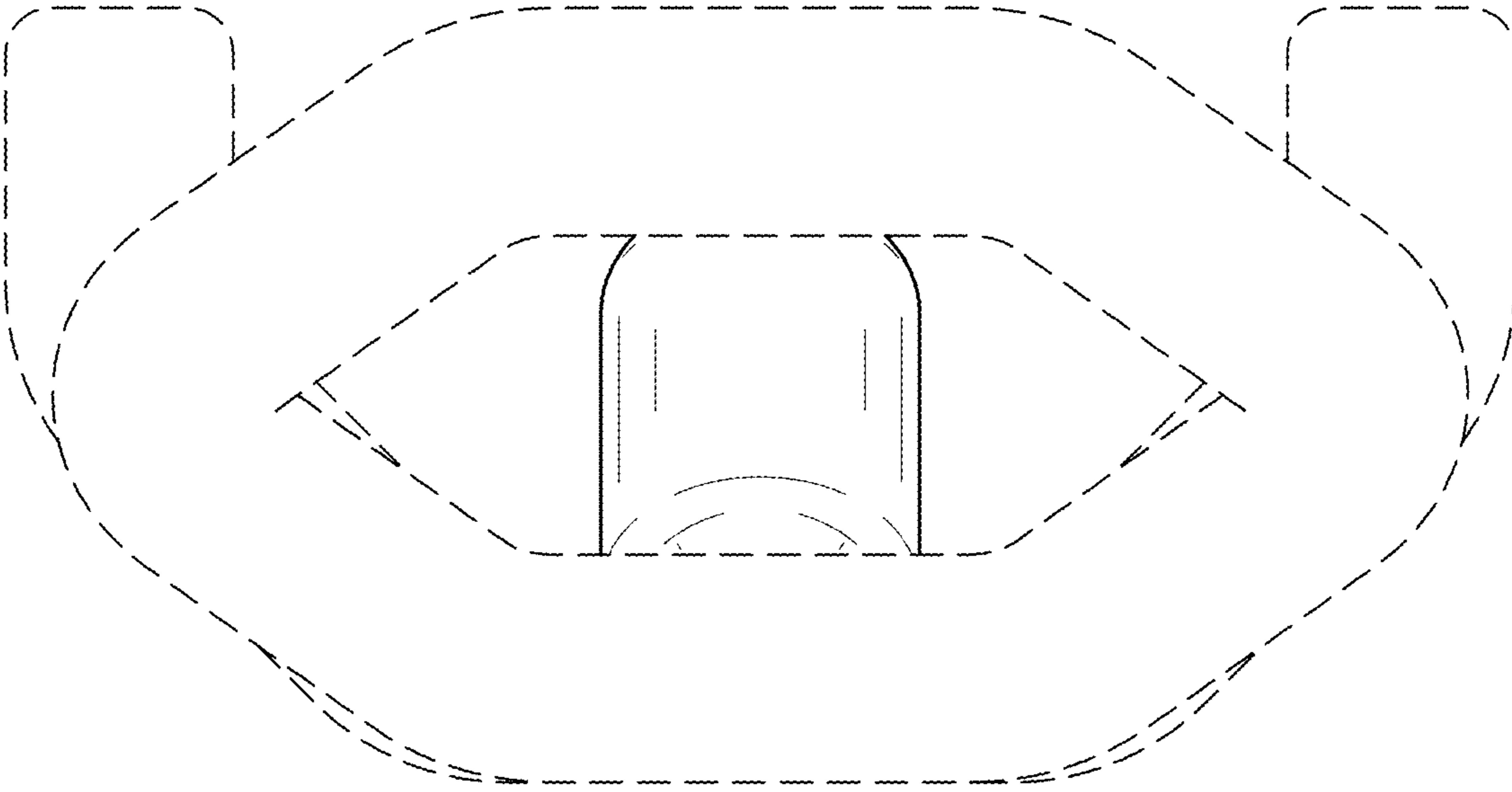


FIG. 2

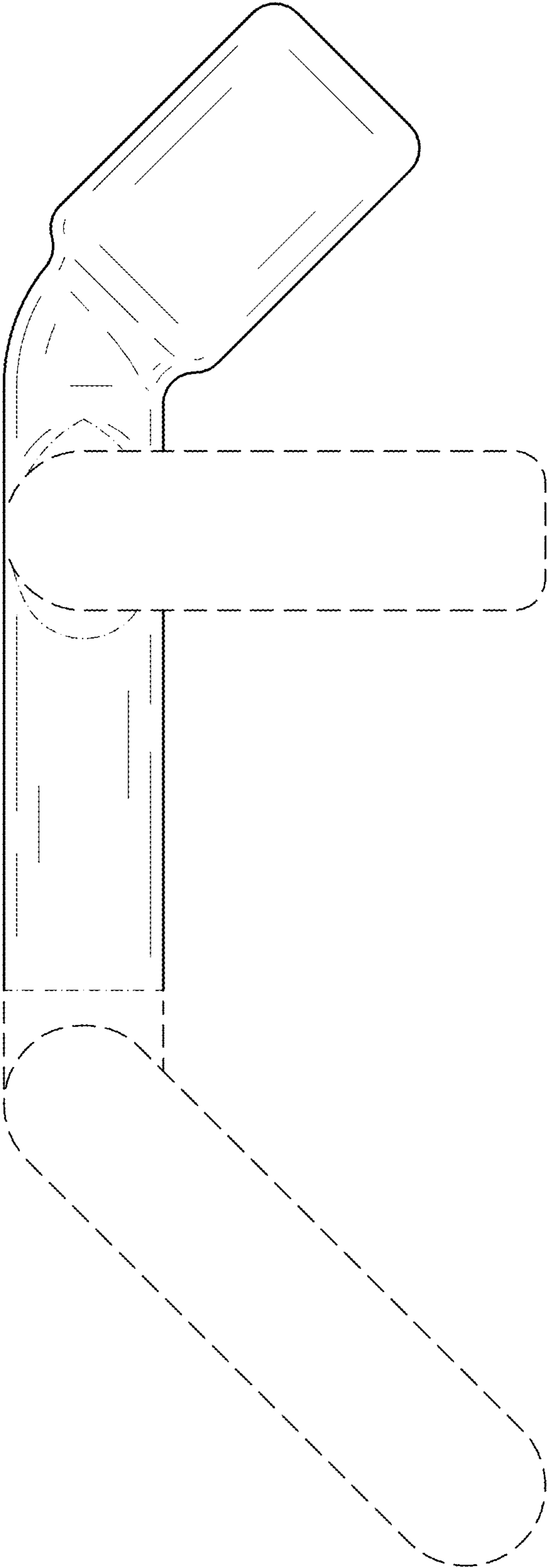


FIG. 3

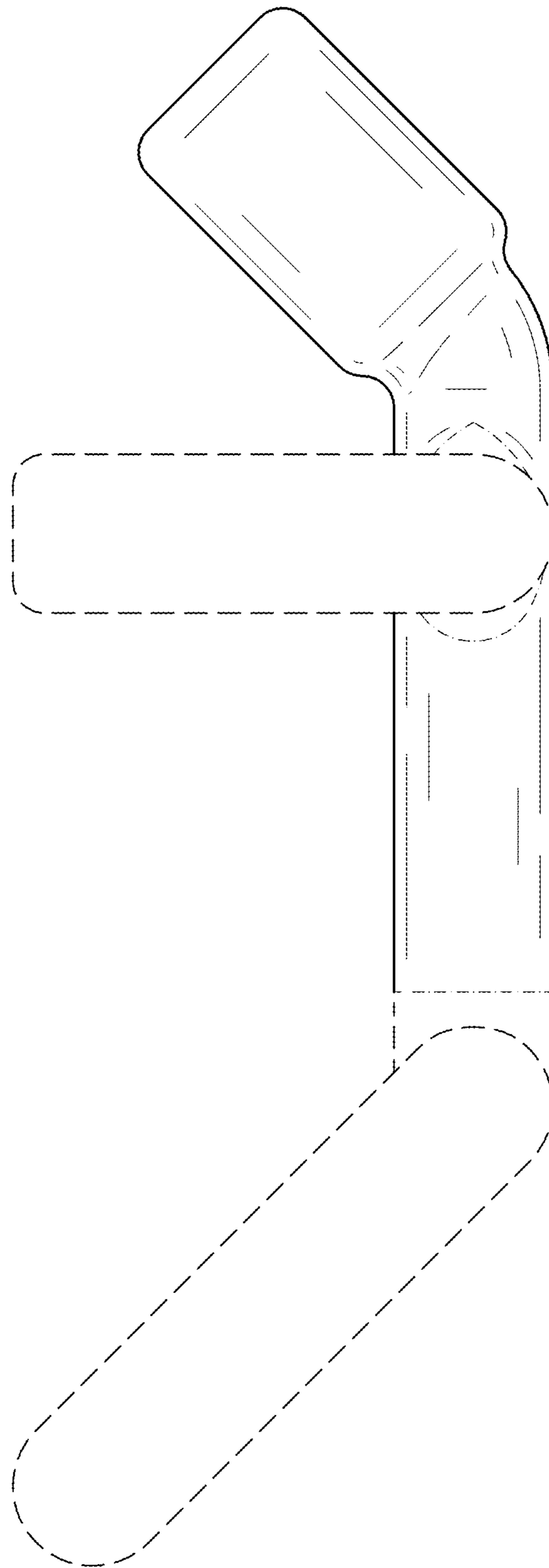


FIG. 4

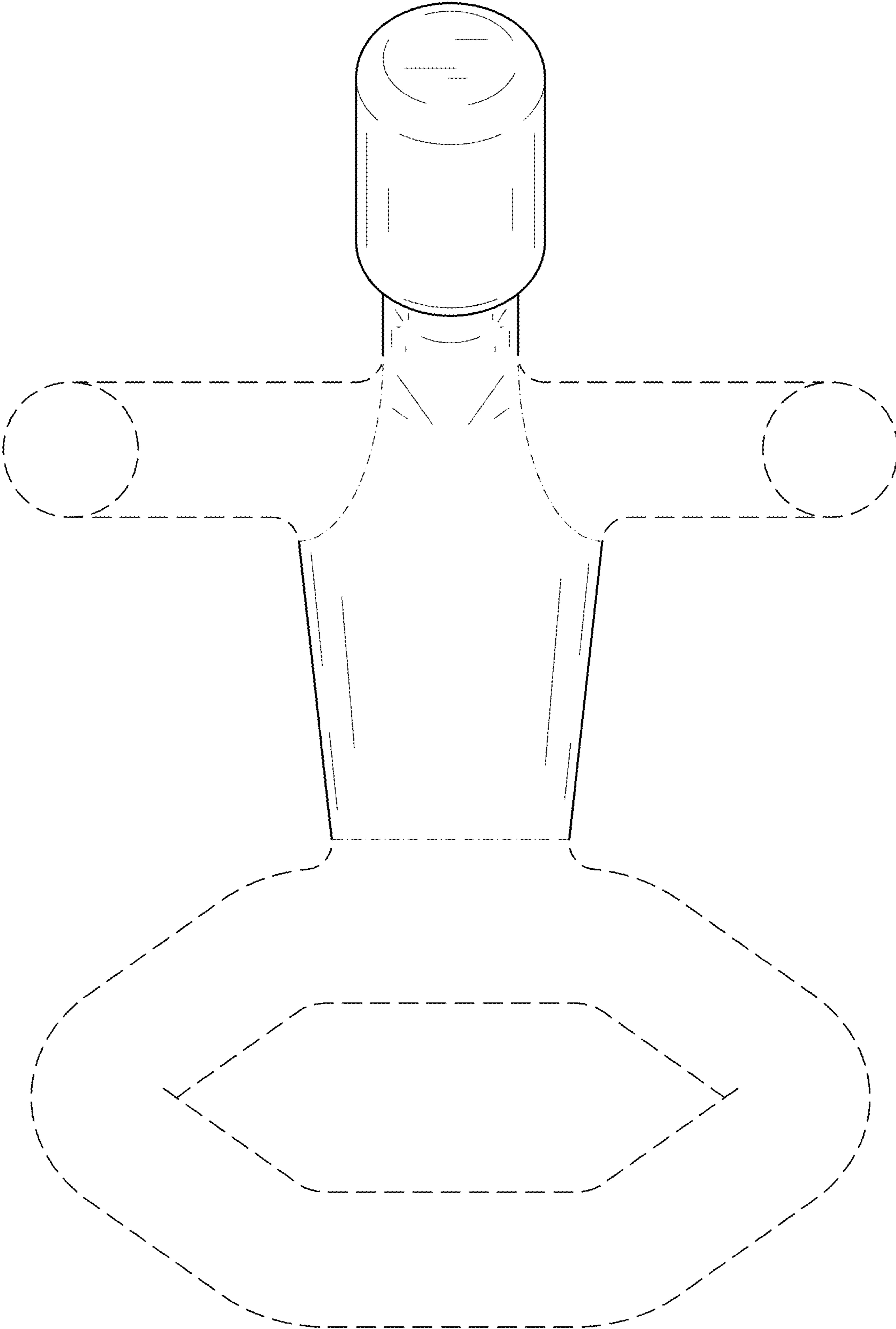


FIG. 5

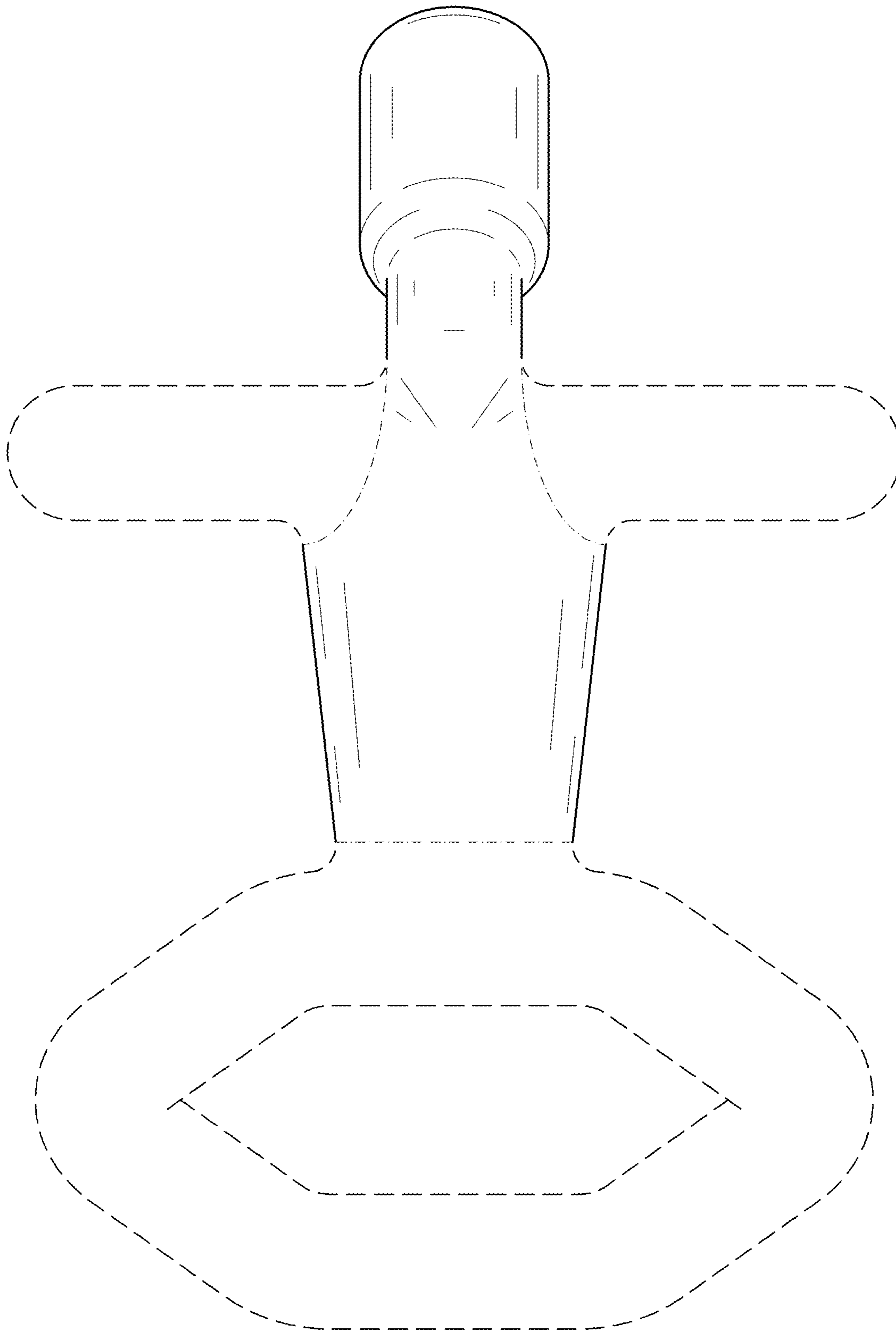


FIG. 6

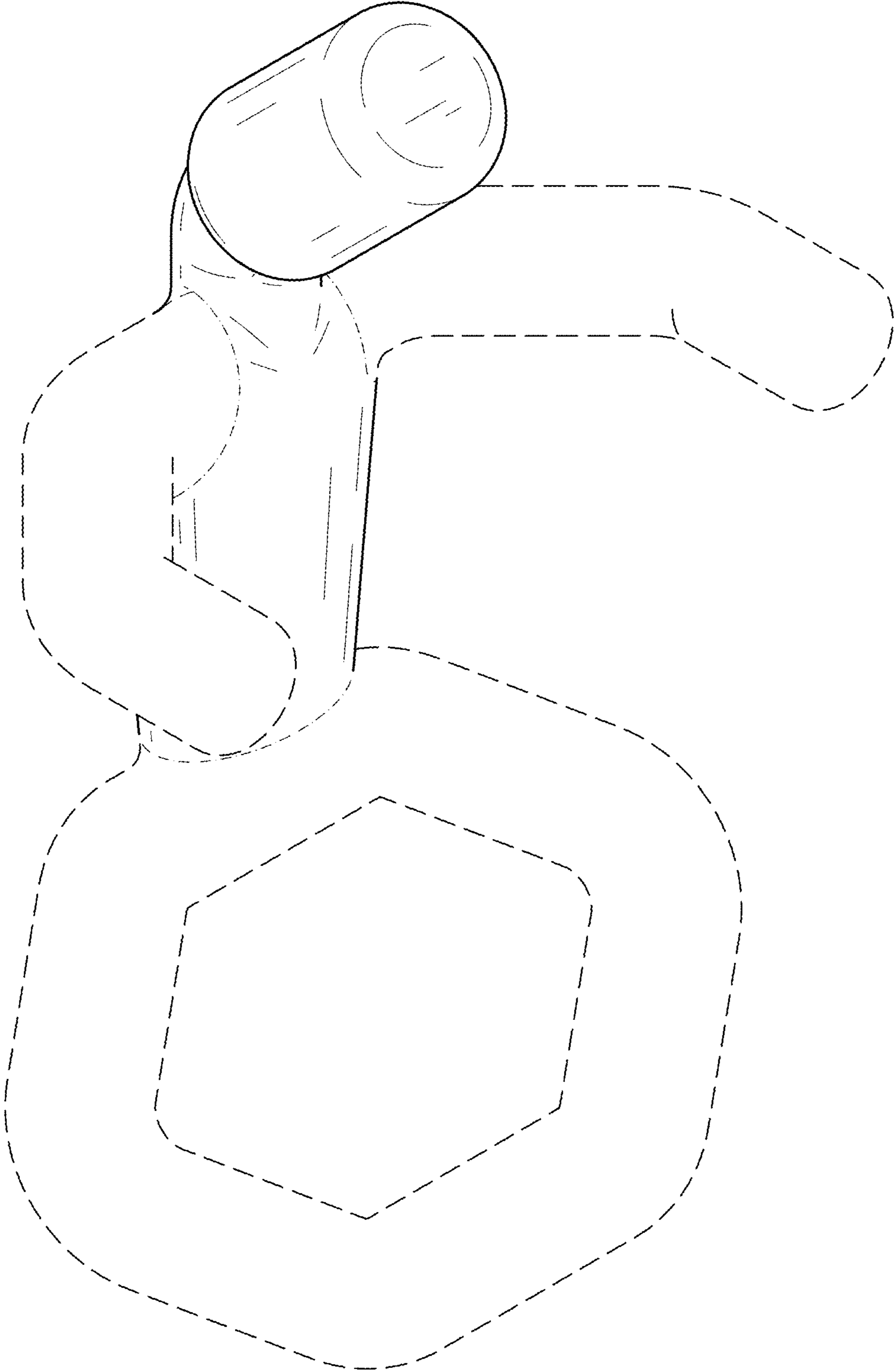


FIG. 7