



US00D873936S

(12) **United States Design Patent**
Pellegrino

(10) **Patent No.:** **US D873,936 S**

(45) **Date of Patent:** **** Jan. 28, 2020**

- (54) **CROSSFIT GYMNASTICS GRIP**
- (71) Applicant: **VICTORY GRIPS LLC**, Tybee Island, GA (US)
- (72) Inventor: **Victor Brian Pellegrino**, Tybee Island, GA (US)
- (73) Assignee: **VICTORY GRIPS LLC**, Tybee Island, GA (US)
- (**) Term: **15 Years**
- (21) Appl. No.: **29/654,747**
- (22) Filed: **Jun. 27, 2018**
- (51) **LOC (12) Cl.** **21-02**
- (52) **U.S. Cl.**
USPC **D21/694**
- (58) **Field of Classification Search**
USPC 2/158, 159, 160; 482/44, 47, 49, 50, 482/139; 602/21, 64; D2/610, 617, 618, D2/619, 620, 621, 622, 623, 624, 625, D2/626, 627, 629; D21/662, 683, 684, D21/685, 797; D24/190, 191, 192
CPC A63B 71/141; A63B 71/148; A41D 19/01523; A41D 19/01558
See application file for complete search history.

(56) **References Cited**

U.S. PATENT DOCUMENTS

- 2,391,851 A * 12/1945 Willard A63B 71/148 2/159
- 3,344,436 A * 10/1967 Stubbs A63B 71/148 2/159
- 3,411,159 A * 11/1968 Berkhemer A63B 71/146 2/159
- 3,421,160 A * 1/1969 Domenico A63B 71/148 2/159

- 3,670,574 A * 6/1972 Edwards G01L 5/223 2/160
- 4,183,100 A * 1/1980 De Marco A41D 19/01547 2/159
- 4,281,389 A * 7/1981 Smith A41D 19/0027 2/160

(Continued)

OTHER PUBLICATIONS

Youtube, "Victory Grips Freedom & 2 Finger Grips Review", May 5, 2018. <https://www.youtube.com/watch?v=VxiZqluVtZQ>. Shown at the 2:27 minute mark. (Year: 2018).*

Primary Examiner — Cynthia Ramirez

Assistant Examiner — Michael A Maharajh

(74) *Attorney, Agent, or Firm* — Fish & Richardson P.C.

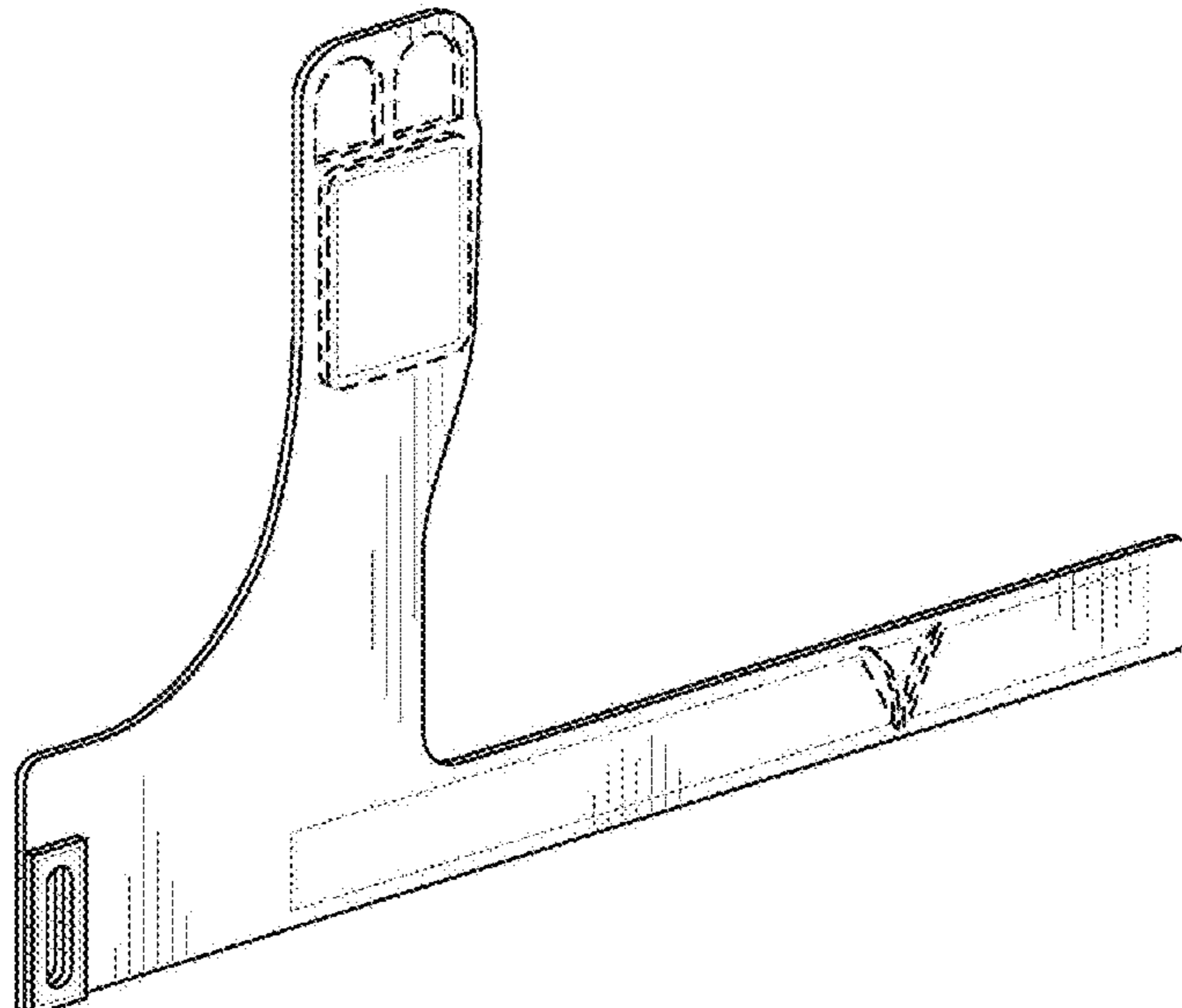
(57) **CLAIM**

The ornamental design for a crossfit gymnastics grip, substantially as shown and described.

DESCRIPTION

FIG. 1 is a perspective view of an open configuration of my crossfit gymnastics grip.
 FIG. 2 is a front view of the configuration of FIG. 1.
 FIG. 3 is a back view of the configuration of FIG. 1.
 FIG. 4 is a left side view of the configuration of FIG. 1.
 FIG. 5 is a right side view of the configuration of FIG. 1.
 FIG. 6 is a top view of the configuration of FIG. 1.
 FIG. 7 is a bottom view of the configuration of FIG. 1.
 FIG. 8 is a perspective view of a closed configuration of my crossfit gymnastics grip.
 FIG. 9 is a front view of the configuration of FIG. 8.
 FIG. 10 is a back view of the configuration of FIG. 8.
 FIG. 11 is a left side view of the configuration of FIG. 8.
 FIG. 12 is a right side view of the configuration of FIG. 8.
 FIG. 13 is a top view of the configuration of FIG. 8; and,
 FIG. 14 is a bottom view of the configuration of FIG. 8.
 The dotted dash lines shown in the figures are for the purpose of showing stitching which form part of the claimed design.

1 Claim, 7 Drawing Sheets



(56)

References Cited

U.S. PATENT DOCUMENTS

4,487,412 A *	12/1984	Meeko	A63B 21/4021	6,988,998 B1 *	1/2006	Santaana-Dela Rosa	A61F 5/05875
			482/106				602/20
4,504,980 A *	3/1985	Butcher	A41D 13/081	7,713,223 B2 *	5/2010	Weber	A61F 5/0118
			2/160				128/869
4,519,097 A *	5/1985	Chappell, Jr.	A41D 19/015	8,029,414 B2 *	10/2011	Ingvast	A61H 1/0288
			2/159				482/47
4,531,241 A *	7/1985	Berger	A41D 19/01523	8,137,296 B2 *	3/2012	Chiang	A61F 5/0118
			2/159				128/878
4,807,876 A *	2/1989	Lothar	A63B 71/00	D675,397 S *	2/2013	Bengyak	D2/610
			482/106	8,425,438 B2 *	4/2013	Fujimoto	A61H 1/0285
4,809,974 A *	3/1989	Buhr	A63B 21/4019				482/47
			224/250	8,529,483 B2 *	9/2013	Farrow	A61F 5/0118
4,977,621 A *	12/1990	Richard	A41D 13/082				602/20
			2/161.1	8,702,634 B2 *	4/2014	Crompton	A61F 5/0118
D351,930 S *	10/1994	Snider	D2/610				128/879
5,447,490 A *	9/1995	Fula	A63B 21/0004	8,747,284 B2 *	6/2014	Ingram	A63B 21/40
			482/124				482/50
5,538,501 A *	7/1996	Caswell	A61F 5/0118	D716,287 S *	10/2014	Ambriz	D14/253
			128/878	8,870,725 B2 *	10/2014	Harris	A63B 71/14
D387,503 S *	12/1997	Ho	D2/610				2/161.1
5,704,883 A *	1/1998	Eckmann	A63B 21/065	8,876,667 B2 *	11/2014	Russotti	A63B 21/0607
			482/105				482/44
6,013,044 A *	1/2000	Estwanik	A41D 19/01582	8,966,666 B2 *	3/2015	Faulconer	A63B 71/141
			2/161.1				2/160
6,098,200 A *	8/2000	Minkow	A41D 19/01523	D739,992 S *	10/2015	Fischer	D2/610
			2/161.1	D752,695 S *	3/2016	Boruch	D21/684
6,146,319 A *	11/2000	Tarail	A63B 21/065	9,643,073 B1 *	5/2017	Pellegrino	A63B 71/141
			2/161.1	D804,589 S *	12/2017	Boruch	D21/662
6,168,556 B1 *	1/2001	Saavedra	A63B 21/4019	D840,633 S *	2/2019	Katopis	D2/617
			224/220	D847,919 S *	5/2019	Jhaveri	D21/684
D437,682 S *	2/2001	Steele	D3/207	2008/0120755 A1 *	5/2008	Ingram	A63B 21/4001
D450,795 S *	11/2001	Riley, Jr.	D21/680				2/20
6,581,211 B1 *	6/2003	Golden	A41D 19/01	2012/0005805 A1 *	1/2012	Bevier	A63B 71/141
			2/158				2/161.1
6,694,523 B2 *	2/2004	Hurst	A41D 19/01582	2017/0202282 A1 *	7/2017	Dwars	A41D 13/081
			2/161.7	2018/0055108 A1 *	3/2018	Long	A41D 13/082
				2018/0140929 A1 *	5/2018	Pellegrino	A63B 26/00
				2019/0037938 A1 *	2/2019	Hong	A41D 13/08

* cited by examiner

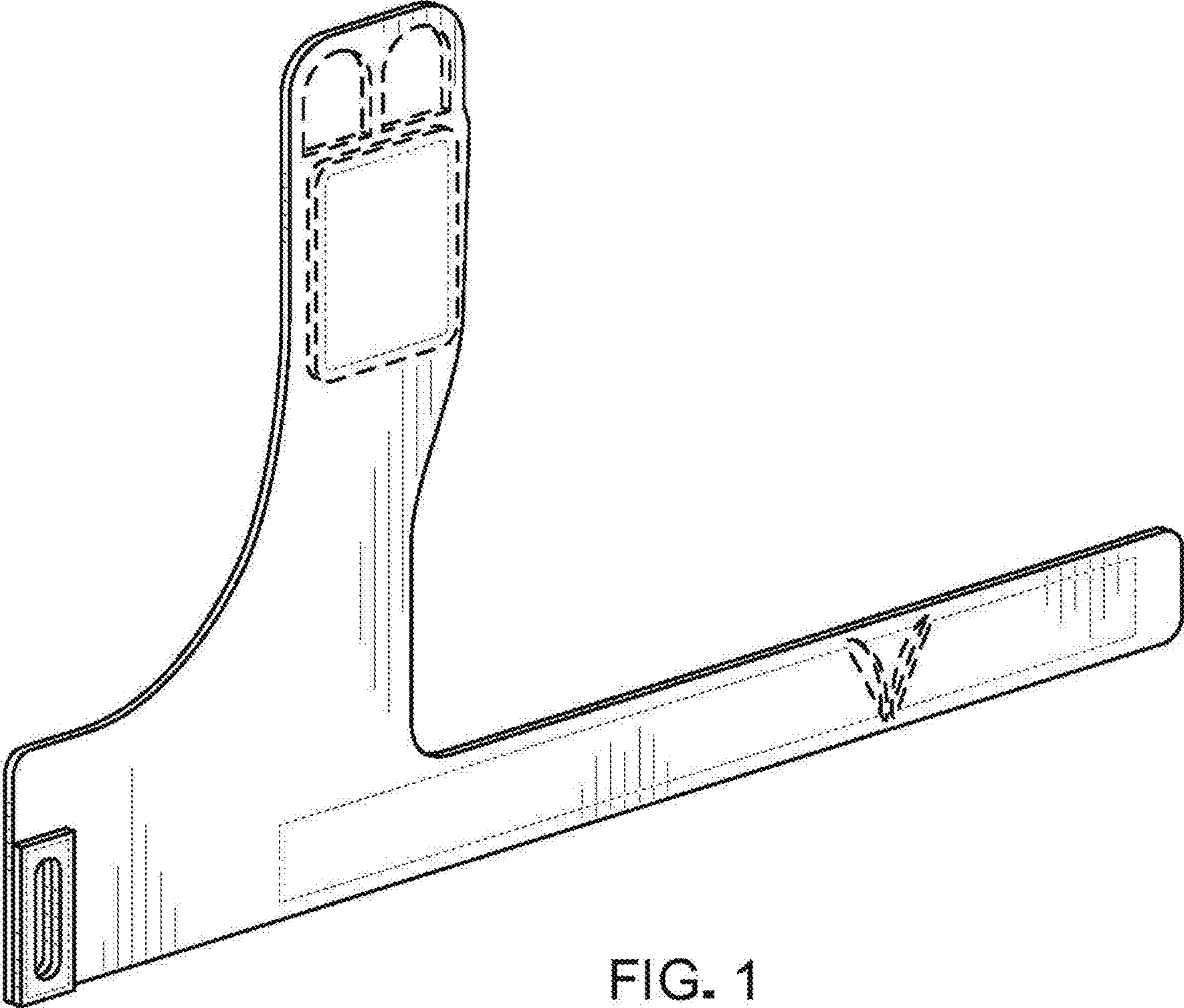


FIG. 1

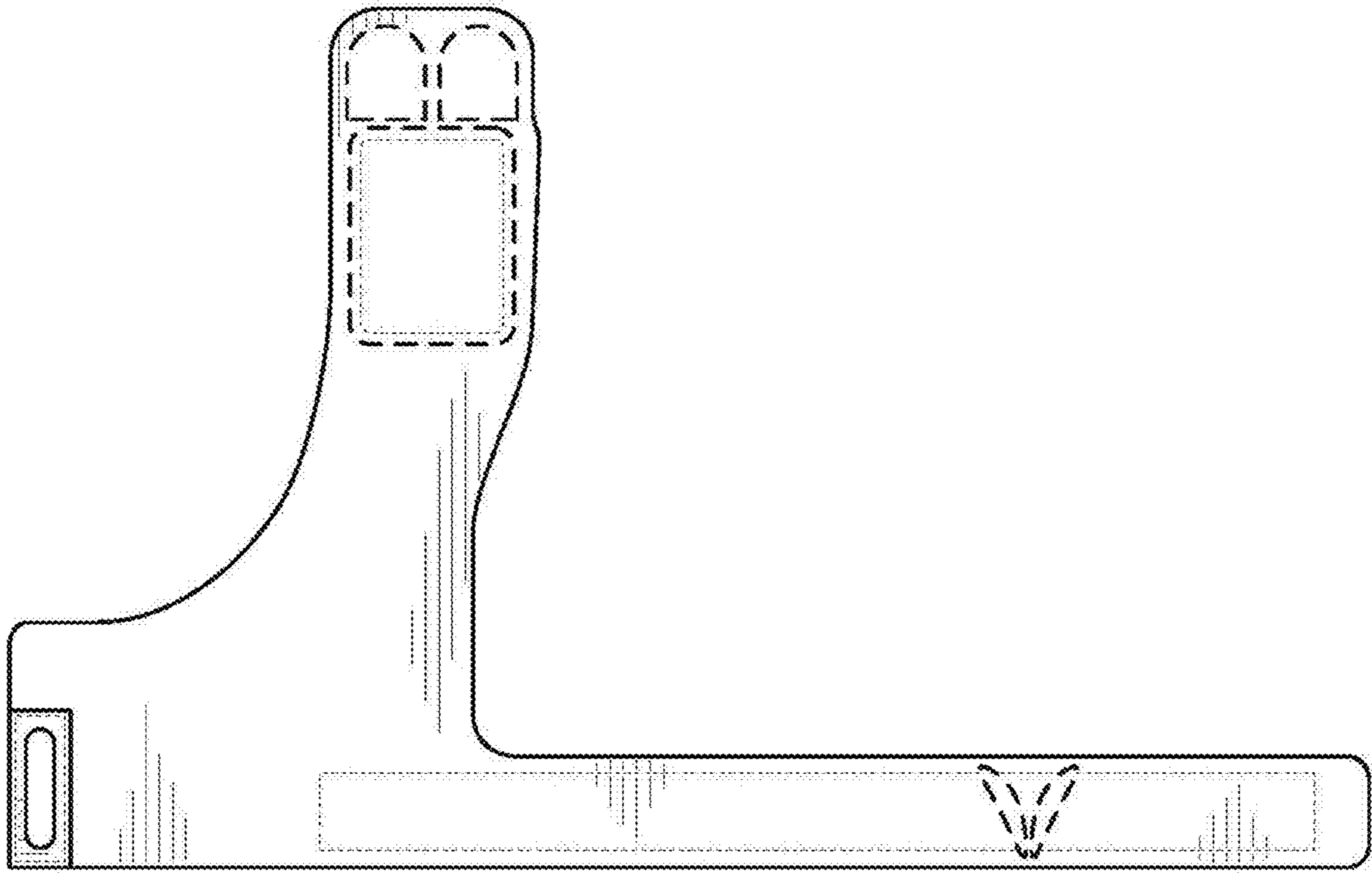


FIG. 2

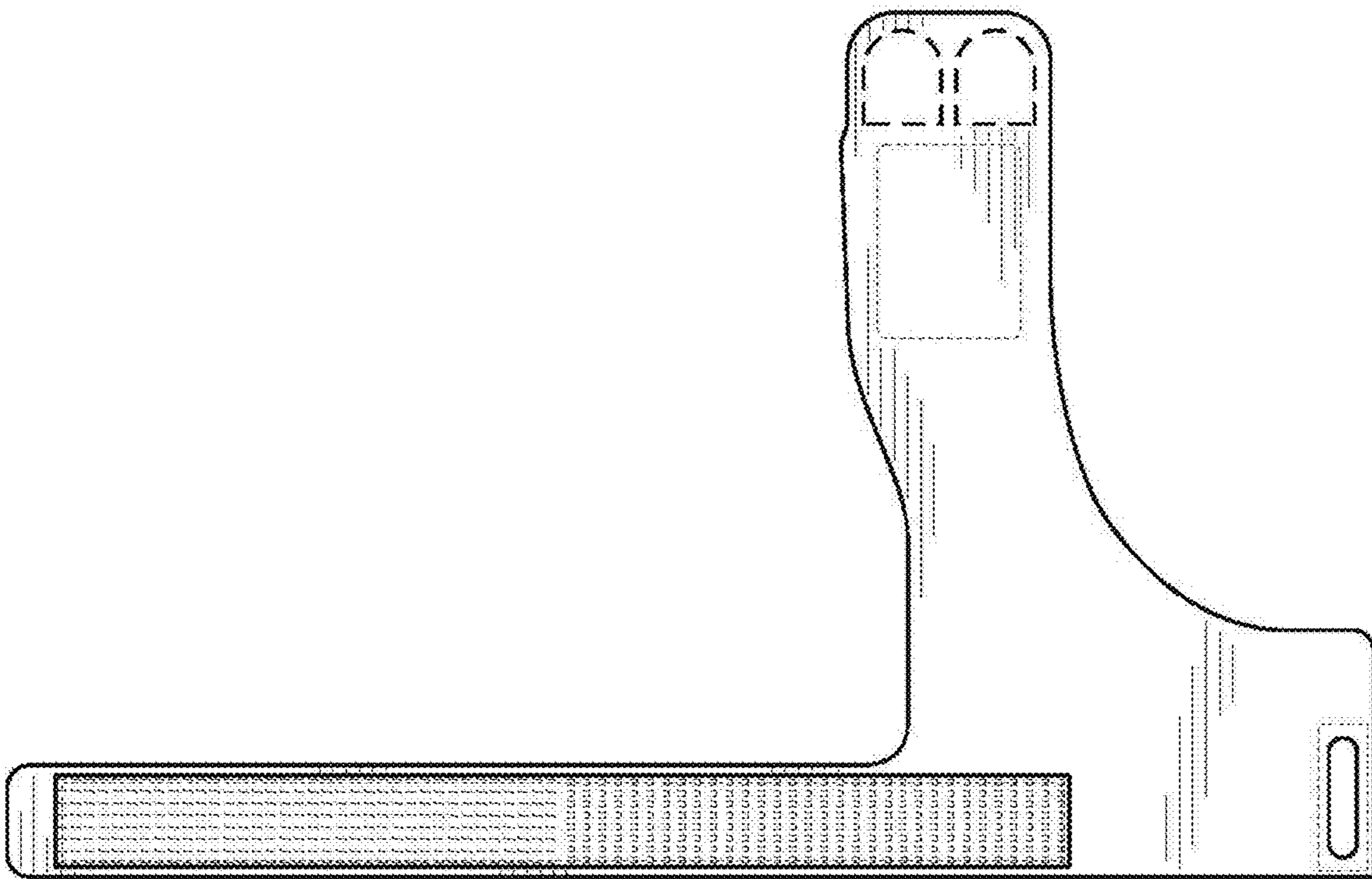


FIG. 3



FIG. 4

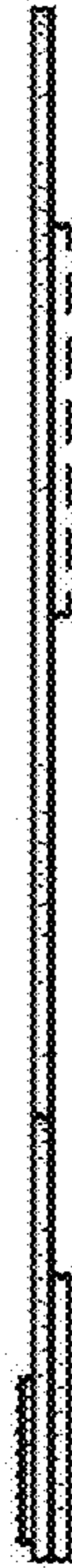


FIG. 5

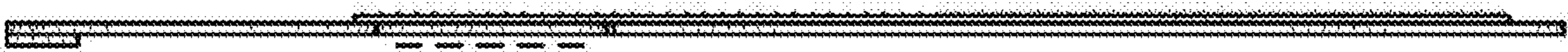


FIG. 6

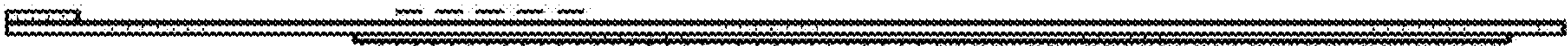


FIG. 7

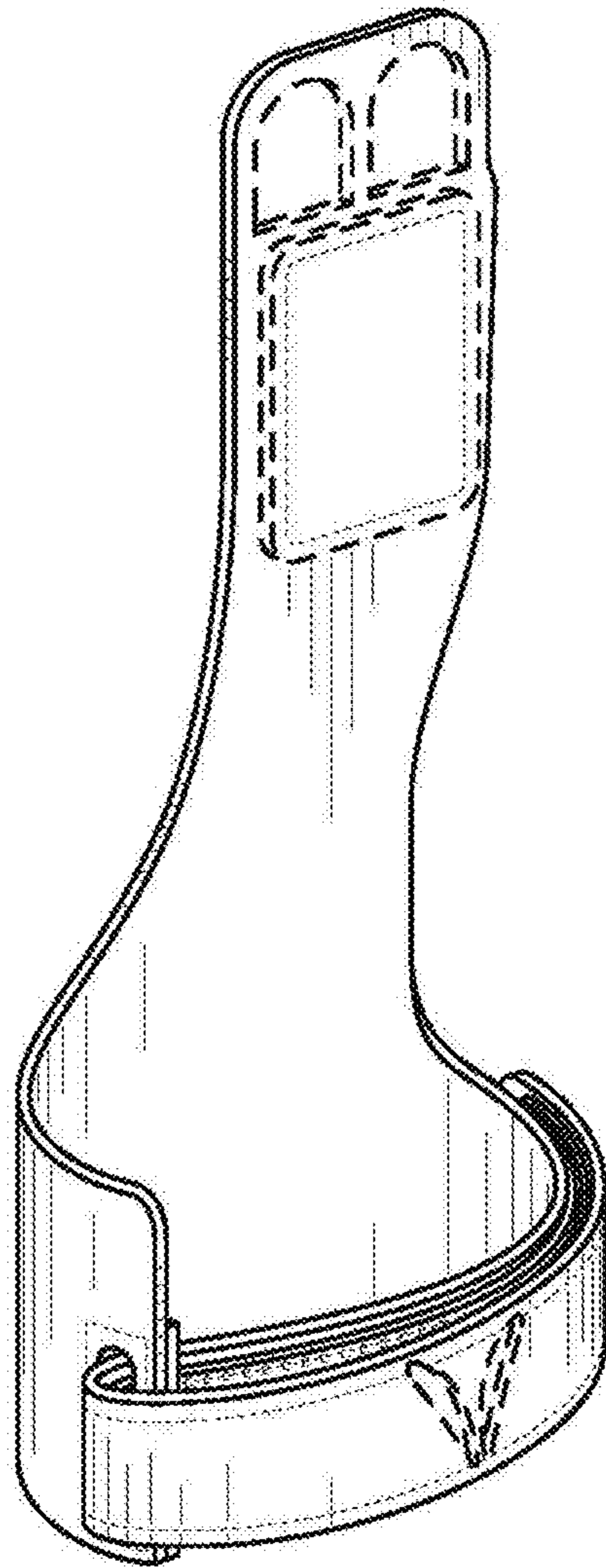


FIG. 8

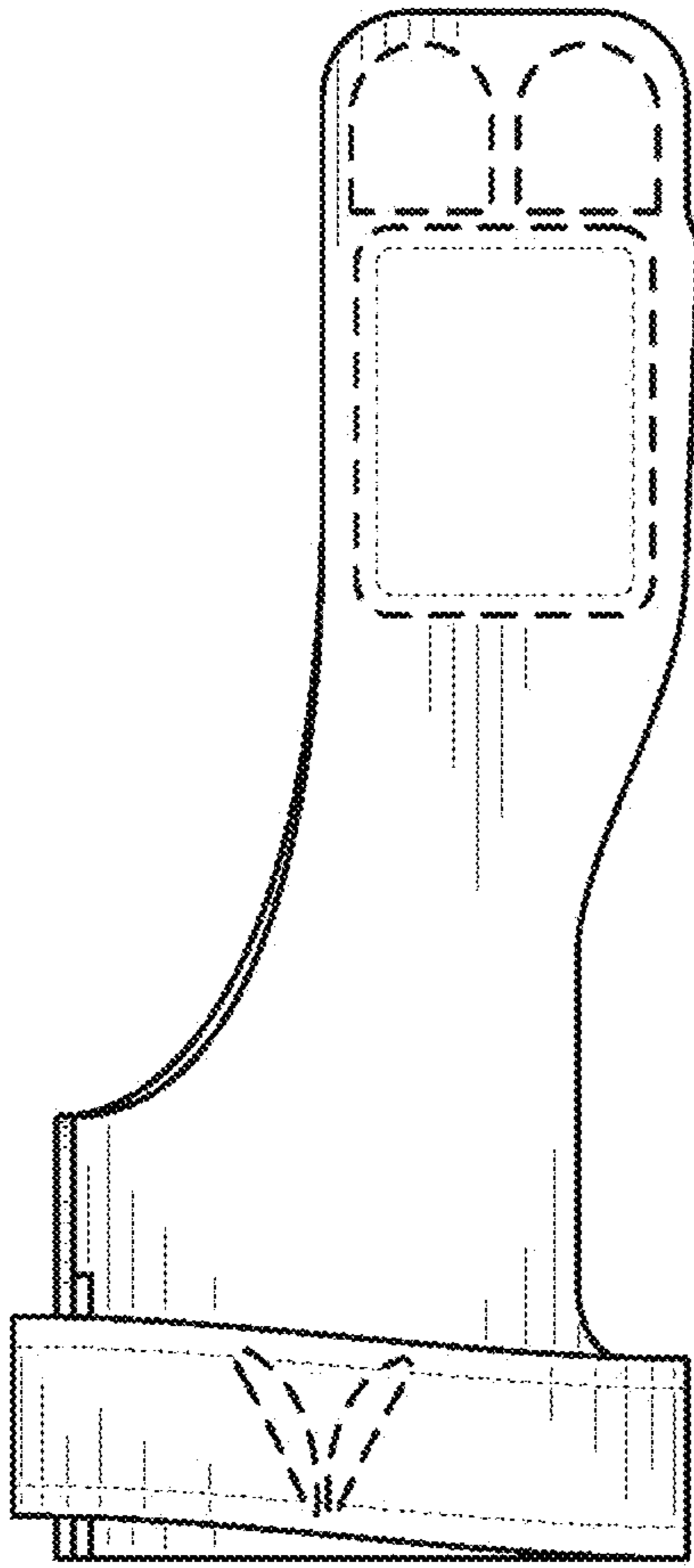


FIG. 9

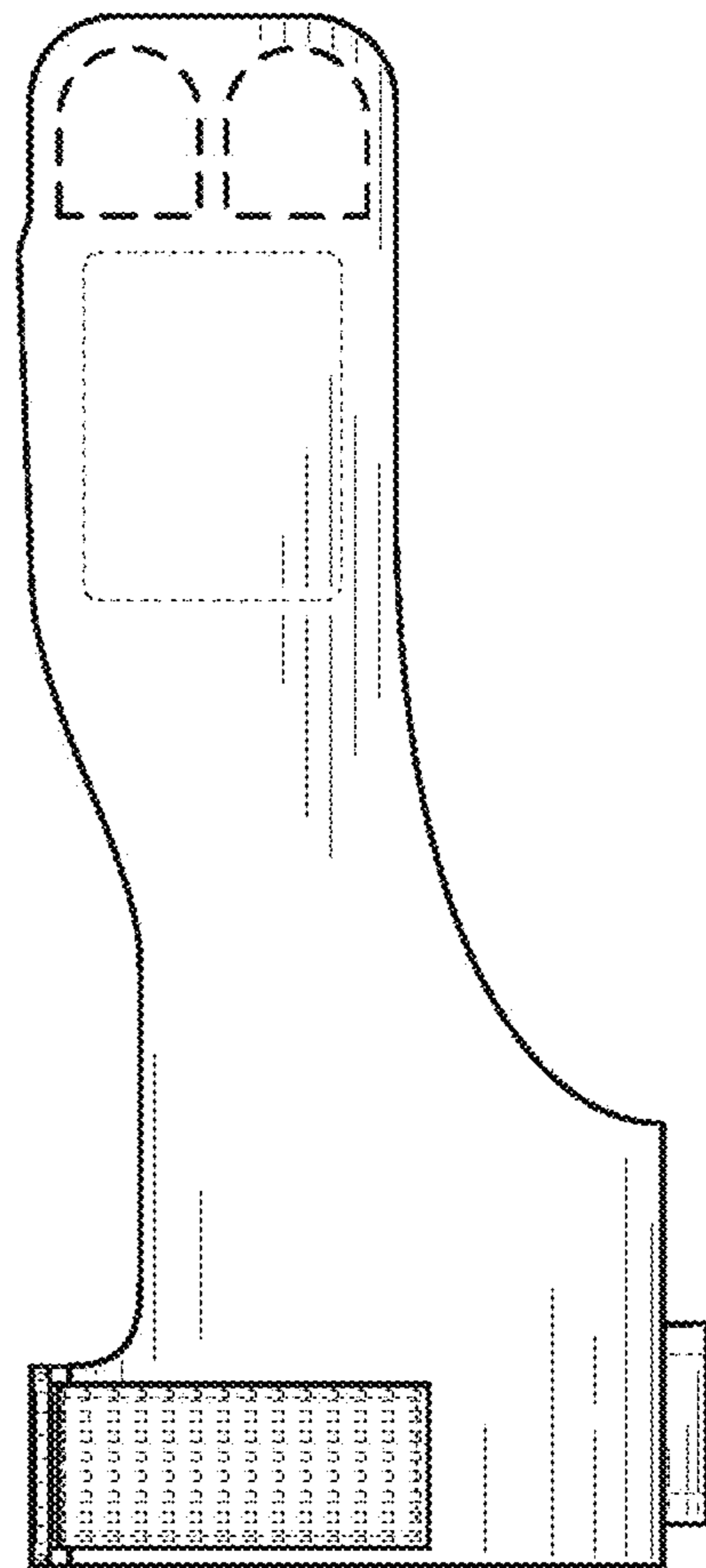


FIG. 10

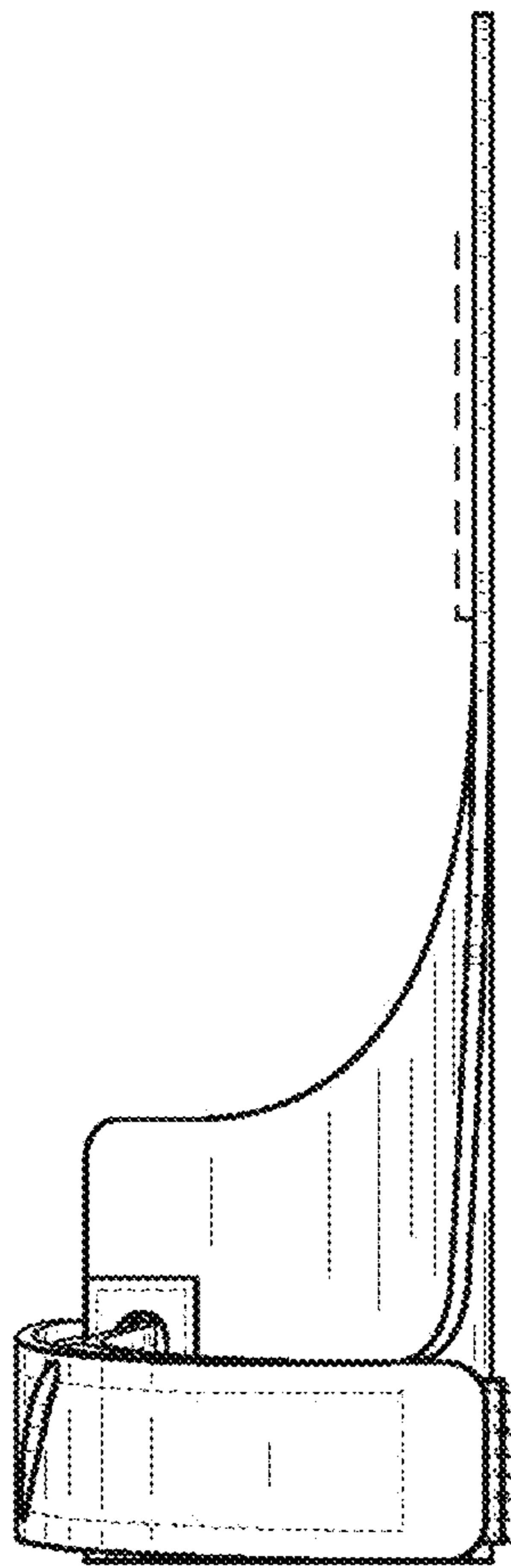


FIG. 11

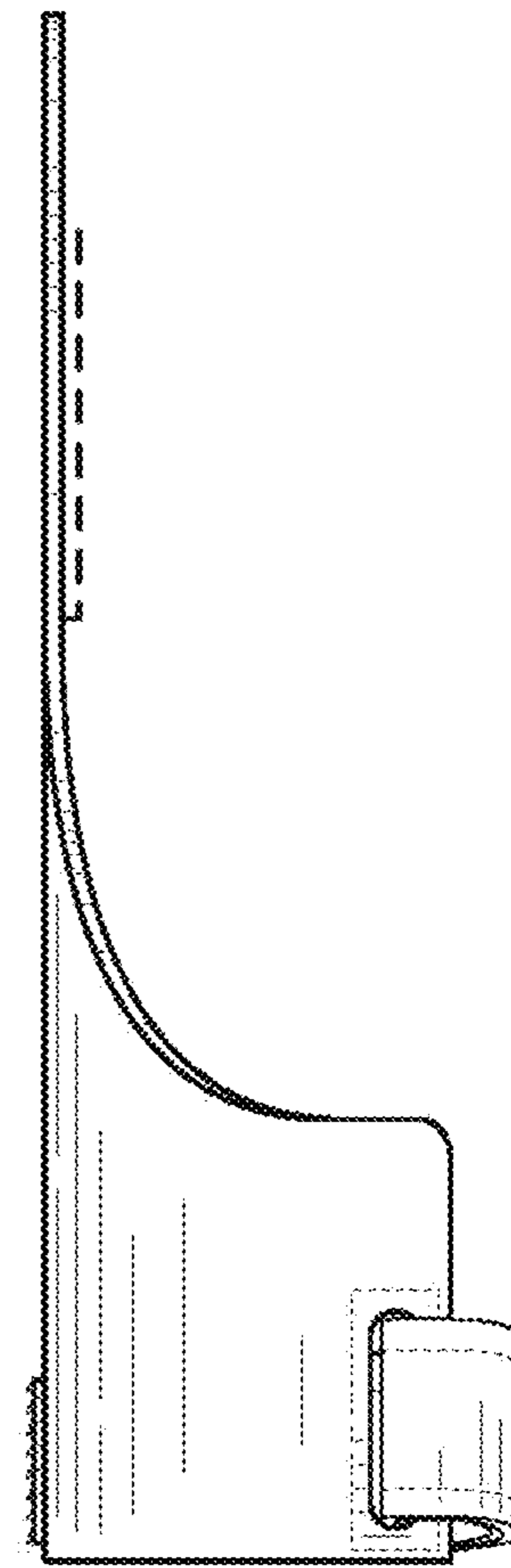


FIG. 12

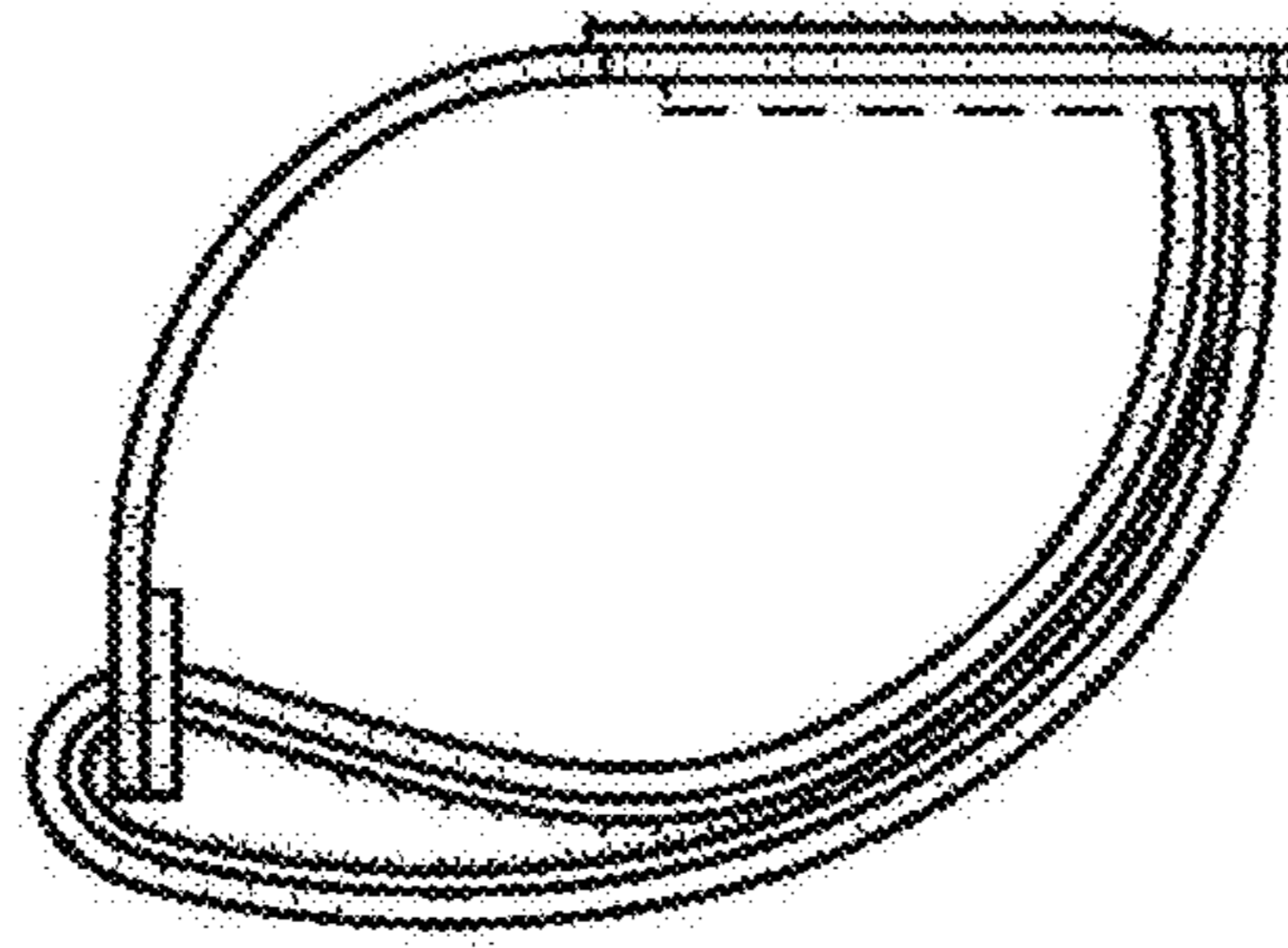


FIG. 13

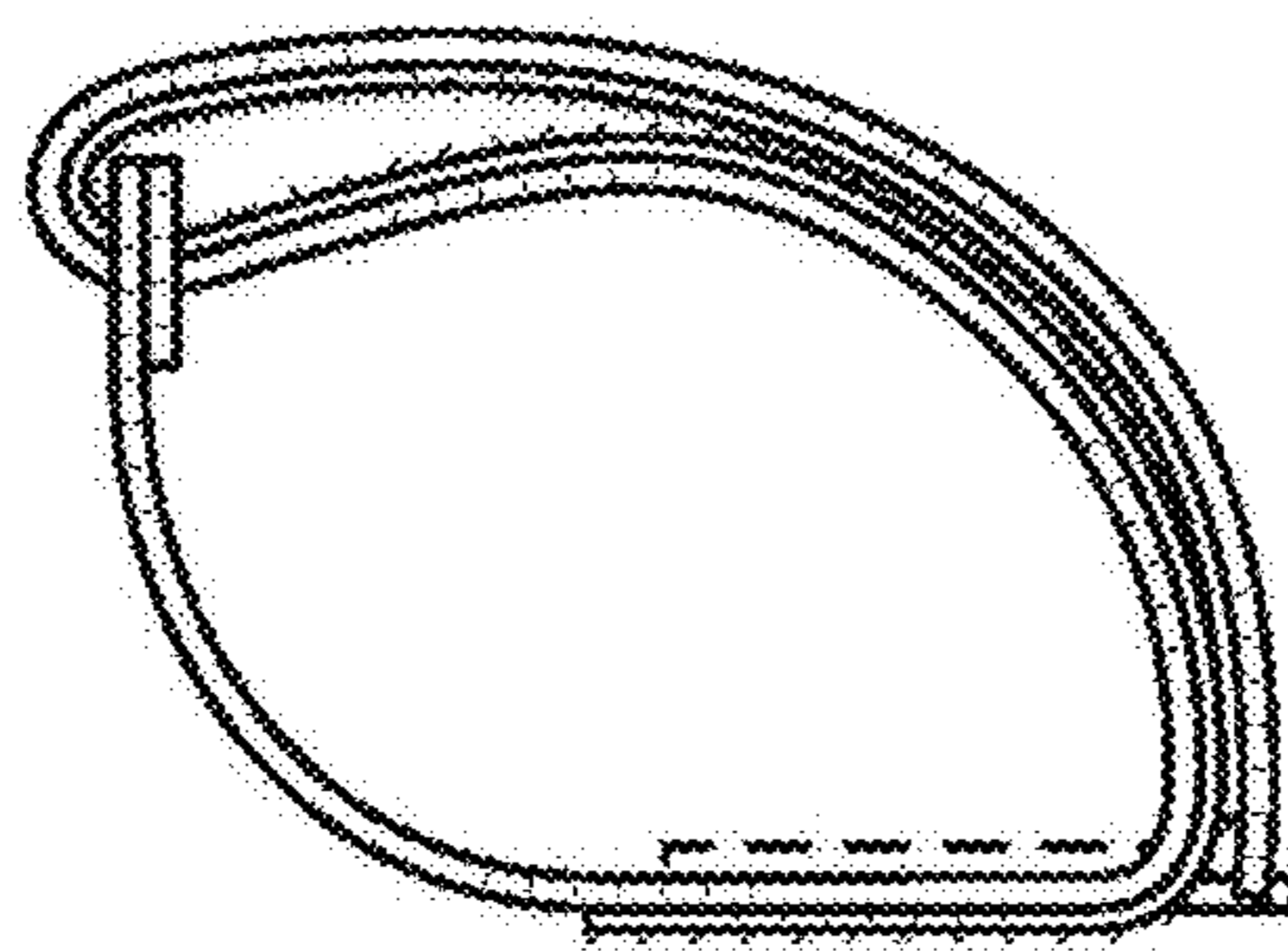


FIG. 14