



US00D873935S

(12) **United States Design Patent**
Van Den Berg

(10) **Patent No.:** **US D873,935 S**
(45) **Date of Patent:** **** Jan. 28, 2020**

- (54) **EXERCISING APPARATUS**
- (71) Applicant: **Gaston Eugene Van Den Berg, Paarl (ZA)**
- (72) Inventor: **Gaston Eugene Van Den Berg, Paarl (ZA)**
- (**) Term: **15 Years**
- (21) Appl. No.: **29/648,862**
- (22) Filed: **May 24, 2018**
- (30) **Foreign Application Priority Data**
Nov. 27, 2017 (ZA) F2017/01874
- (51) **LOC (12) Cl.** **21-02**
- (52) **U.S. Cl.**
USPC **D21/691**
- (58) **Field of Classification Search**
USPC 211/123, 182, 183, 196, 207; 482/23, 24, 482/25, 34, 37, 38, 143; D21/662, 673, D21/679, 685, 691, 694, 777, 797; D24/213; 280/79.3; 248/163.1, 165
CPC A63B 23/1227; A63B 21/026; A63B 21/0414; A63B 1/00; A63B 21/00047; A63B 2208/029; A63B 3/00; A63B 71/023; A63B 9/00
See application file for complete search history.

- 4,253,578 A * 3/1981 Rekow A47F 5/04 211/208
 - 4,474,299 A * 10/1984 Andrews A47F 7/24 211/123
 - 4,579,229 A * 4/1986 Porcaro G10G 5/00 211/182
 - 5,162,030 A * 11/1992 Tanski A63B 9/00 482/34
 - D394,482 S * 5/1998 Colonello D21/673
 - 5,967,093 A * 10/1999 Vitt A63K 3/046 482/38
 - 5,989,158 A * 11/1999 Fredette A63B 1/00 482/36
 - D550,791 S * 9/2007 Rogers D21/694
- (Continued)

Primary Examiner — Cynthia Ramirez
Assistant Examiner — Michael A Maharajh
(74) *Attorney, Agent, or Firm* — Haugen Law Firm PLLP

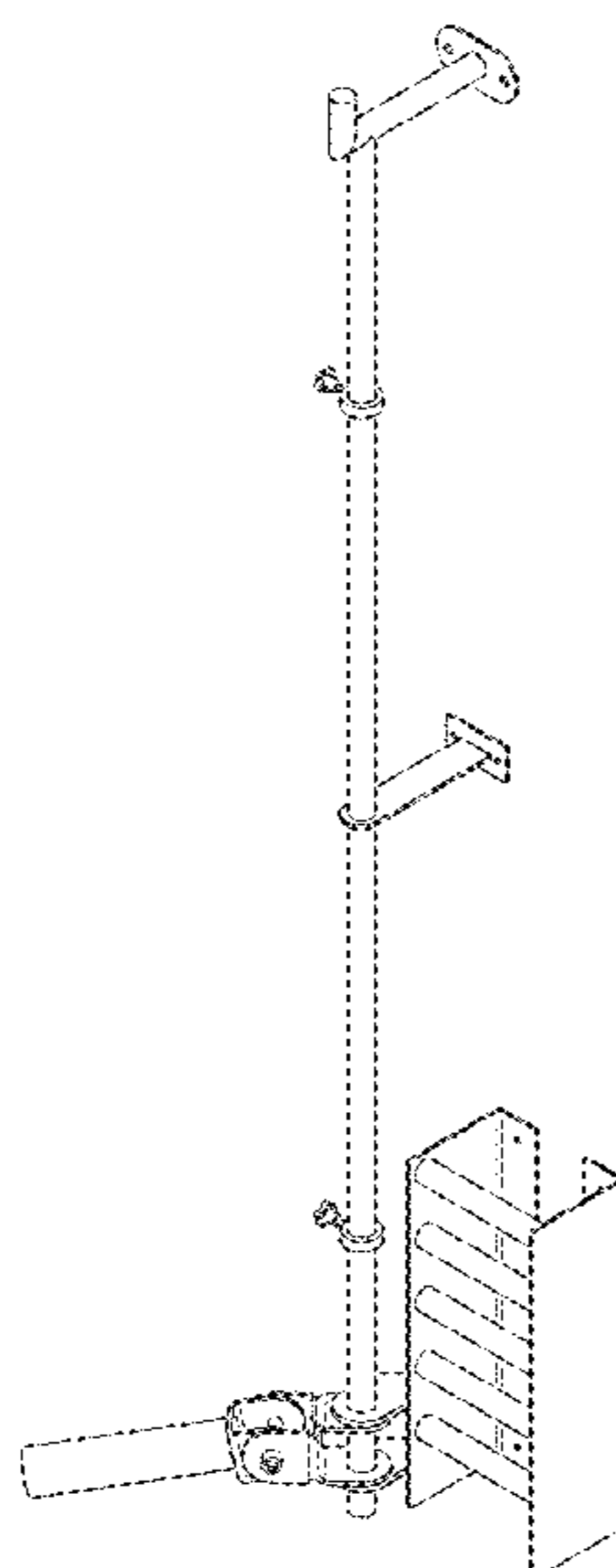
(57) **CLAIM**

The ornamental design for an exercising apparatus, as shown and described.

DESCRIPTION

FIG. 1 is a front upper perspective view of the exercising apparatus of the present invention;
FIG. 2 is a rear lower perspective view of the exercising apparatus of the present invention;
FIG. 3 is a front elevational view of the exercising apparatus of the present invention;
FIG. 4 is a rear elevational view of the exercising apparatus of the present invention;
FIG. 5 is a left side elevational view of the exercising apparatus of the present invention;
FIG. 6 is a right side elevational view of the exercising apparatus of the present invention;
FIG. 7 is a top plan view of the exercising apparatus of the present invention; and,
FIG. 8 is a bottom plan view of the exercising apparatus of the present invention.

1 Claim, 8 Drawing Sheets



(56)

References Cited

U.S. PATENT DOCUMENTS

D550,792 S * 9/2007 Rogers D21/694
7,288,052 B1 * 10/2007 Guillaume A63B 21/055
482/121
7,357,366 B1 * 4/2008 White A63B 71/023
248/156
9,713,738 B2 * 7/2017 Schrag A63B 21/0087
D841,747 S * 2/2019 Montano D21/691
D854,637 S * 7/2019 Adams D21/686
2001/0016540 A1 * 8/2001 Smith A63B 17/04
482/37
2003/0027689 A1 * 2/2003 Chien A63B 25/08
482/23
2003/0060332 A1 * 3/2003 Chen A63B 25/00
482/23
2007/0175848 A1 * 8/2007 Mallen A47G 25/0671
211/196
2016/0346582 A1 * 12/2016 Wilkinson A63B 17/04
2017/0312564 A1 * 11/2017 Perez Gomez A63B 71/0009
2019/0076719 A1 * 3/2019 Baumberger A63B 69/0075
2019/0134481 A1 * 5/2019 Orr A63B 69/24

* cited by examiner

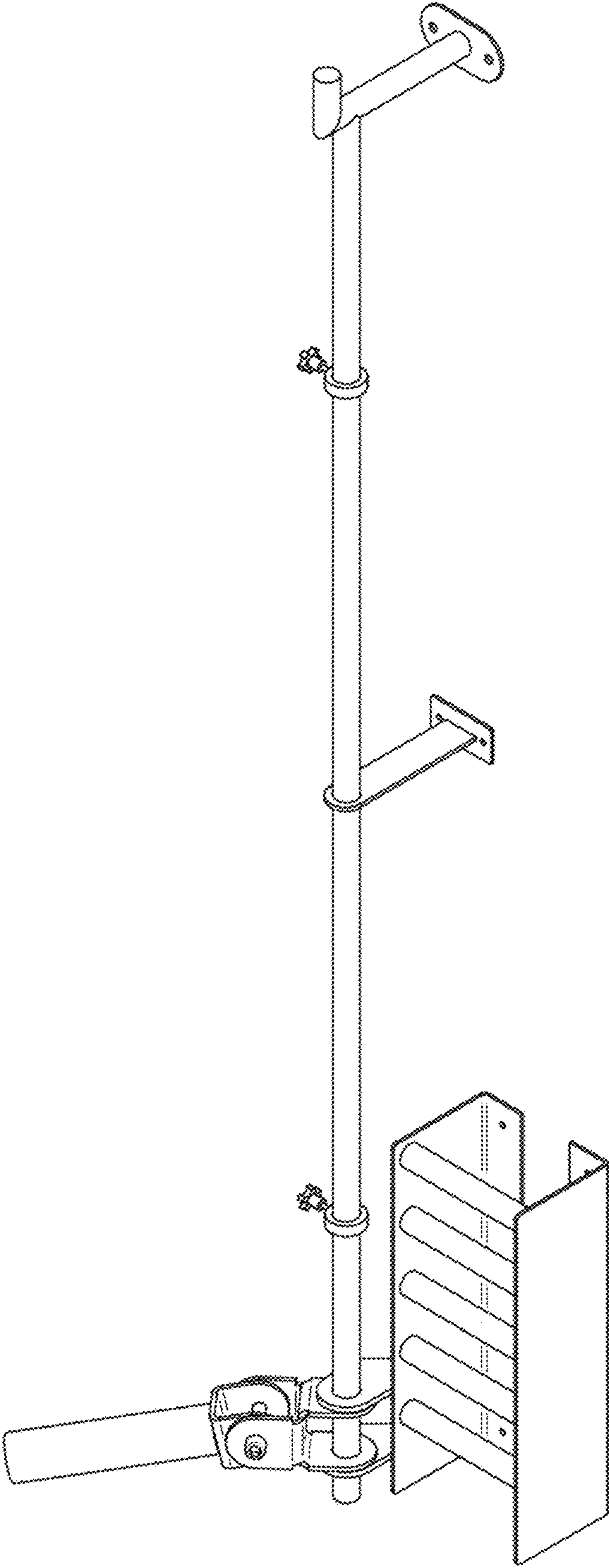


FIG. 1

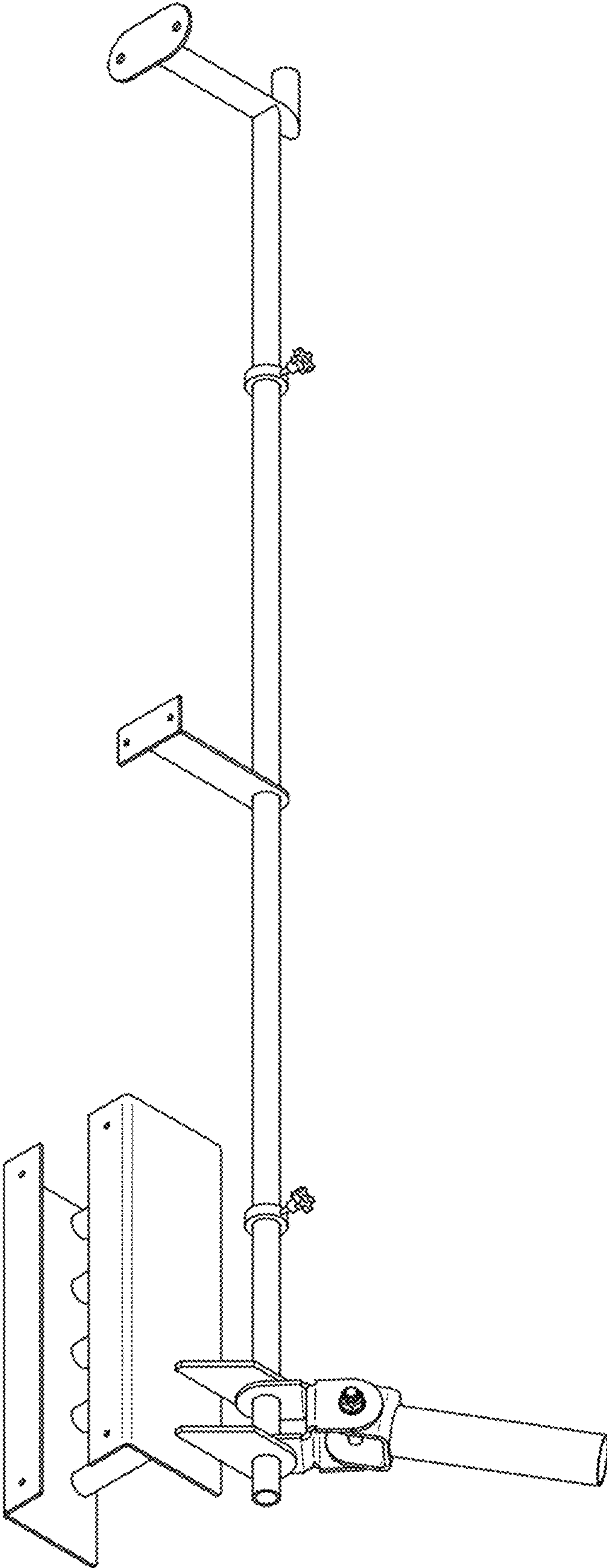


FIG. 2

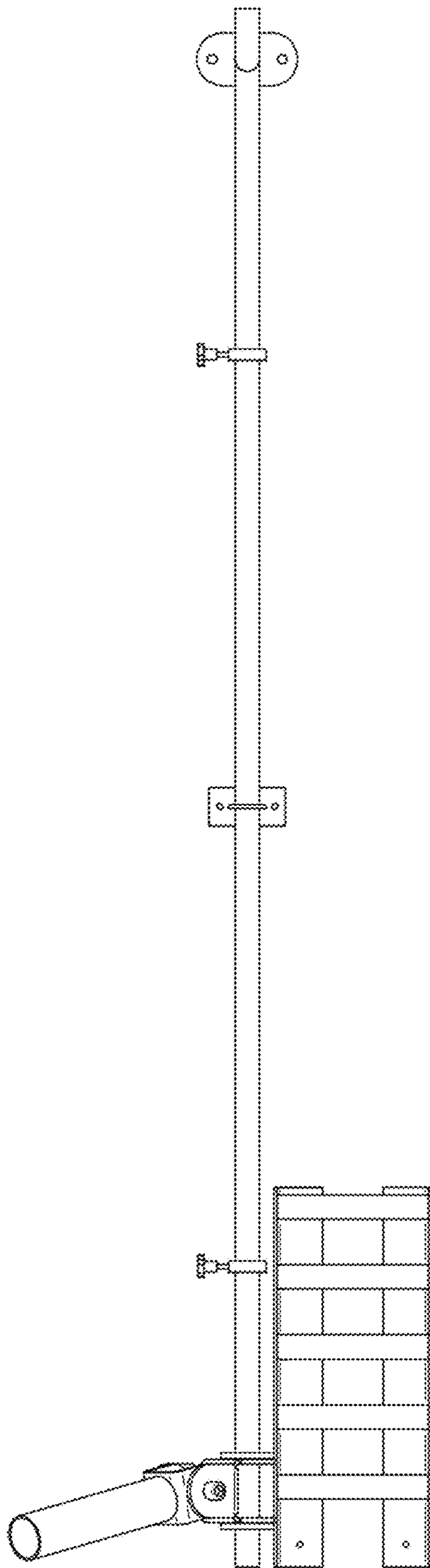


FIG. 3

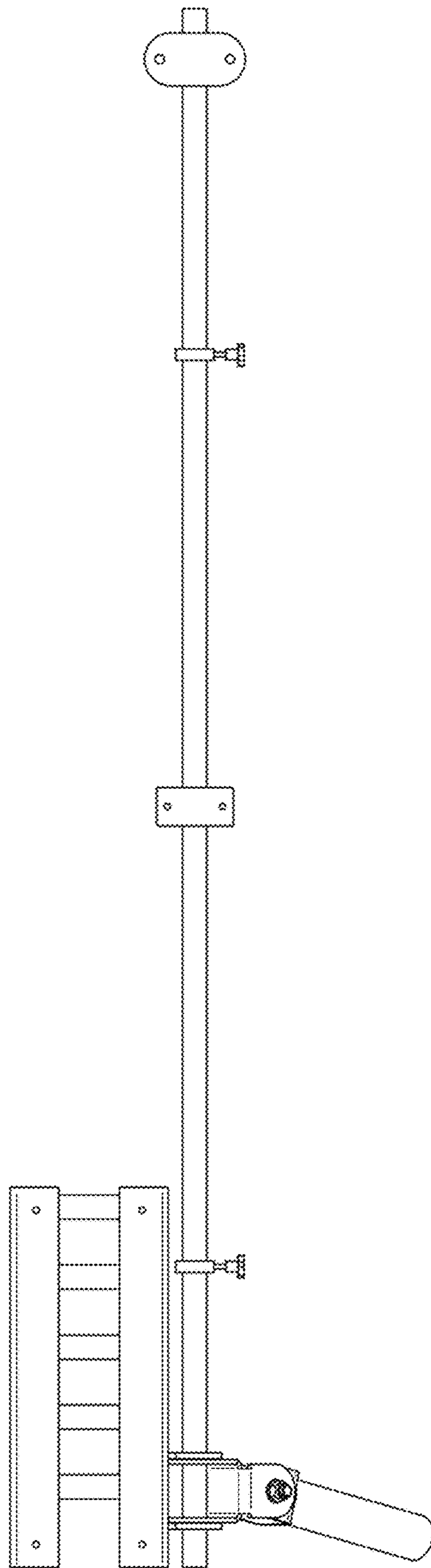


FIG. 4

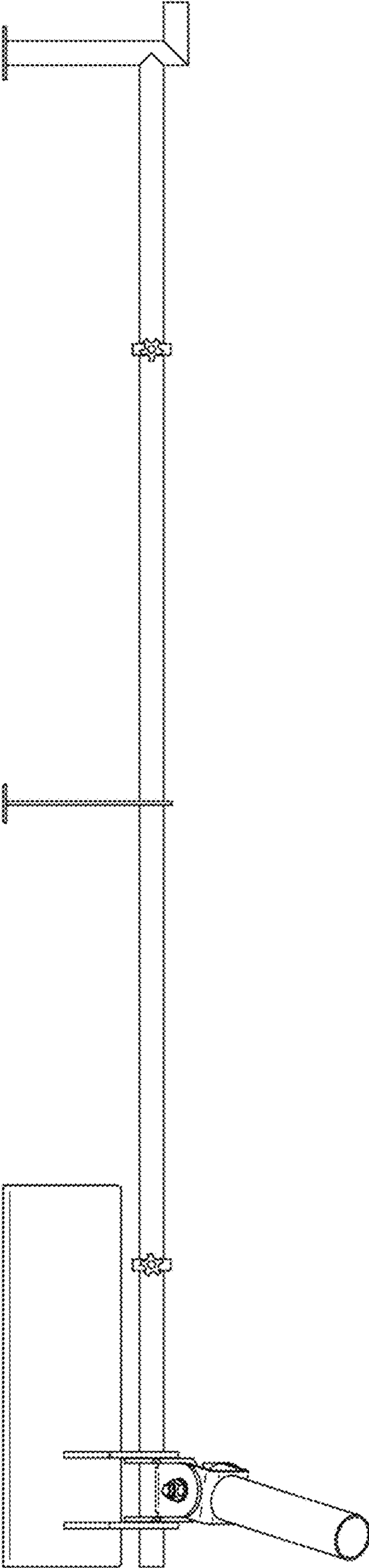


FIG. 5

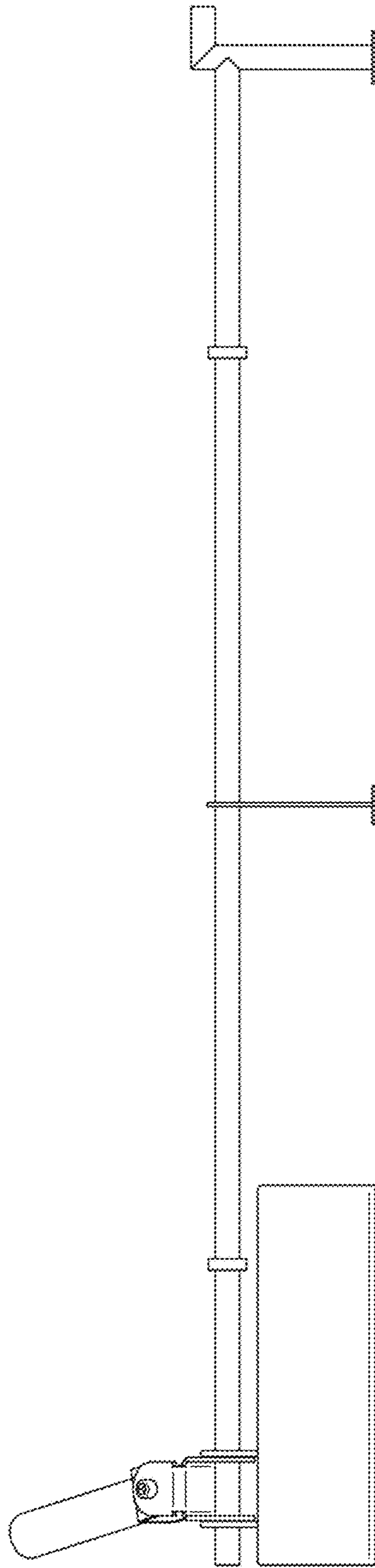


FIG. 6

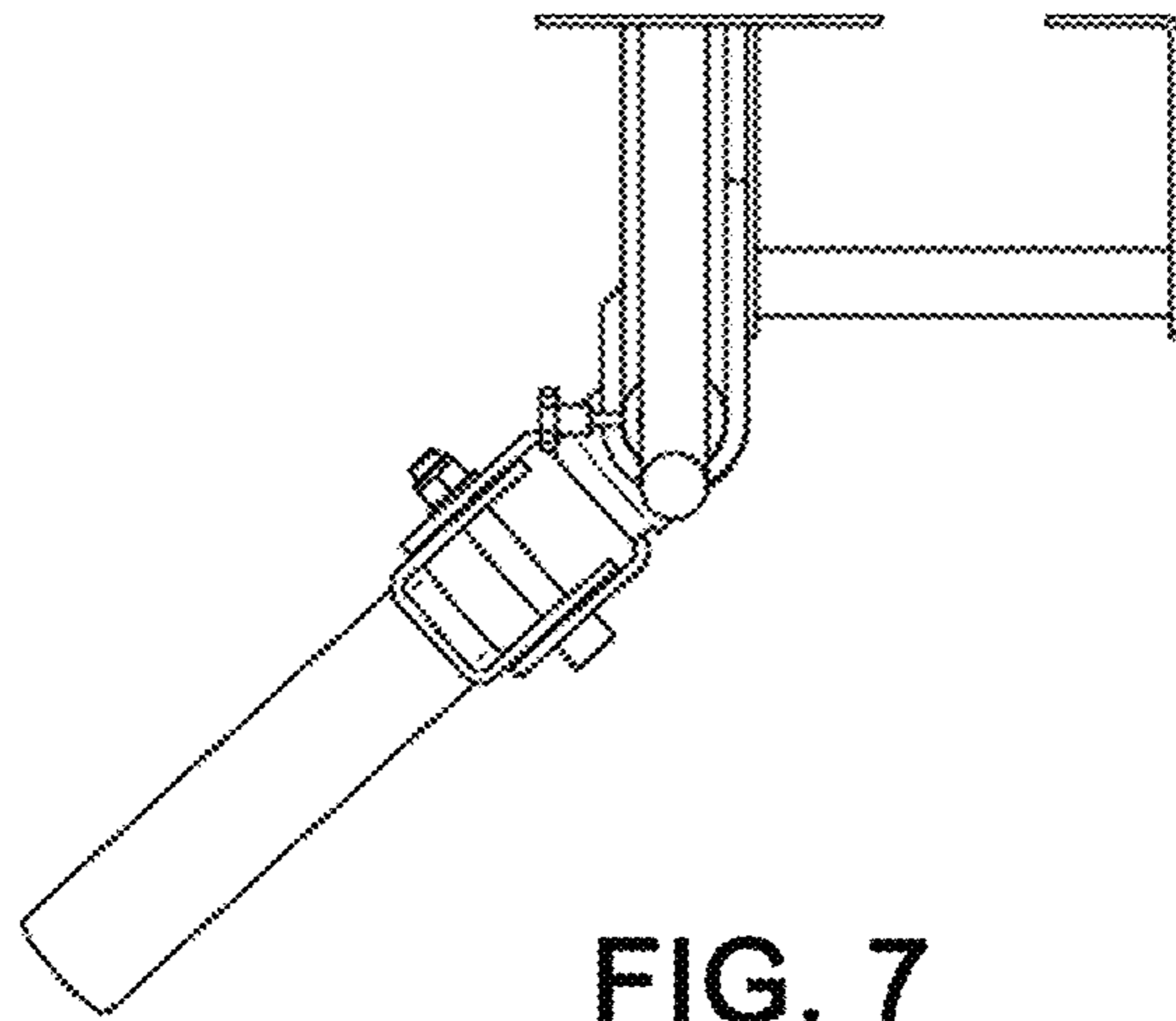


FIG. 7

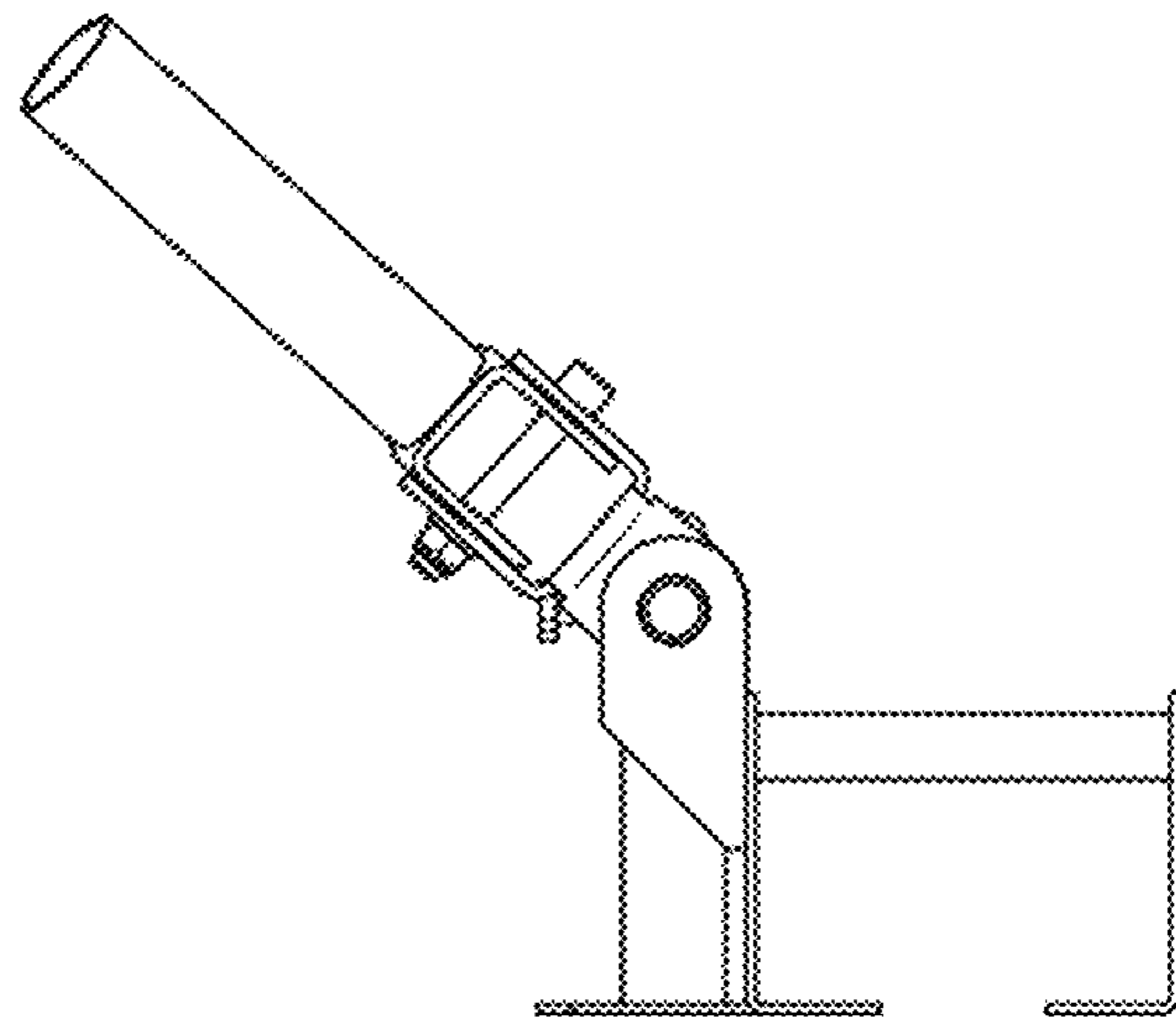


FIG. 8