



US00D873934S

(12) **United States Design Patent**  
**Mino**

(10) **Patent No.:** **US D873,934 S**  
(45) **Date of Patent:** **\*\* Jan. 28, 2020**

(54) **TREADMILL**

(71) Applicant: **Cristiano Mino**, Milan (IT)

(72) Inventor: **Cristiano Mino**, Milan (IT)

(73) Assignee: **SPORTSTART INDUSTRIAL CO., LTD.**, Tainan (TW)

(\*\*) Term: **15 Years**

(21) Appl. No.: **29/601,463**

(22) Filed: **Apr. 21, 2017**

(30) **Foreign Application Priority Data**

Feb. 24, 2017 (TW) ..... 106300980

(51) **LOC (12) Cl.** ..... **21-02**

(52) **U.S. Cl.**  
USPC ..... **D21/669**

(58) **Field of Classification Search**  
USPC ..... 482/54, 2, 51, 8, 70, 146; D21/669;  
198/439, 456; D30/160; 601/35, 23, 5,  
601/34

CPC . A63B 22/02; A63B 22/0023; A63B 22/0235;  
A63B 2210/50; A63B 22/0285; A63B  
22/0242; A63B 2022/025; A63B 2225/30;  
A63B 2022/0214; A63B 2220/13; A63B  
2022/0228; A63B 2210/56; A63B  
2024/0093; A63B 2022/0207; A63B  
22/0012; A63B 22/0257; A61H 3/008;  
A61H 1/0262; A61H 2201/164; A01K  
15/027

See application file for complete search history.

(56) **References Cited**

**U.S. PATENT DOCUMENTS**

D521,577 S \* 5/2006 Wu ..... D21/669  
D531,683 S \* 11/2006 Choi ..... D21/696

D579,992 S \* 11/2008 Cesaroni ..... D21/694  
D682,372 S \* 5/2013 Alessandri ..... D21/669  
D726,845 S \* 4/2015 Hubler ..... D21/694  
D728,045 S \* 4/2015 Hubler ..... D21/694  
2004/0097341 A1\* 5/2004 Alessandri ..... A63B 21/00  
482/54  
2015/0367175 A1\* 12/2015 Alessandri ..... G09B 19/0038  
482/8  
2017/0333747 A1\* 11/2017 Athey ..... A63B 22/02  
2017/0333751 A1\* 11/2017 Seol ..... A63B 24/0062  
2017/0340917 A1\* 11/2017 Chang ..... B32B 5/02  
2018/0056119 A1\* 3/2018 Zhu ..... A63B 22/0207  
2018/0178056 A1\* 6/2018 Zhu ..... A63B 22/0214

**OTHER PUBLICATIONS**

Sportsart by shark fitness dated none. Found online [Dec. 31, 2018]  
<https://www.sharkfitness.ch/sportsart-n685-laufband-eco-natural-p-2866888.html>.\*

\* cited by examiner

*Primary Examiner* — Ryan Harvey

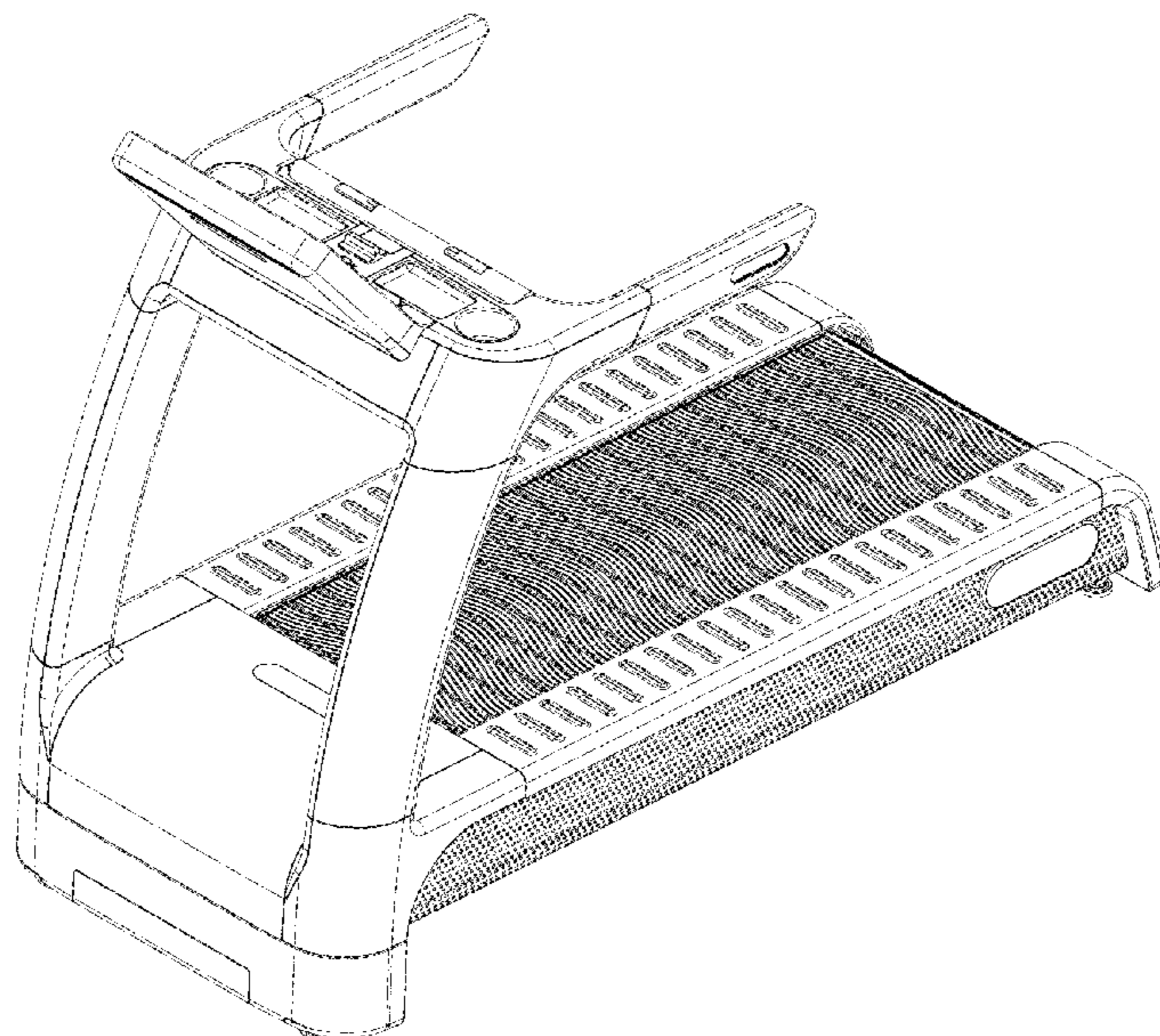
(57) **CLAIM**

The ornamental design for a treadmill, as shown and described.

**DESCRIPTION**

FIG. 1 is a perspective view of a treadmill showing my new design thereof;  
FIG. 2 is a front elevational view thereof;  
FIG. 3 is a rear elevational view thereof;  
FIG. 4 is a left side elevational view thereof;  
FIG. 5 is a right side elevational view thereof;  
FIG. 6 is a top plan view thereof; and,  
FIG. 7 is a bottom plan view thereof.  
The broken line showing of portions of the treadmill depict environment and forms no part of the claim.

**1 Claim, 7 Drawing Sheets**





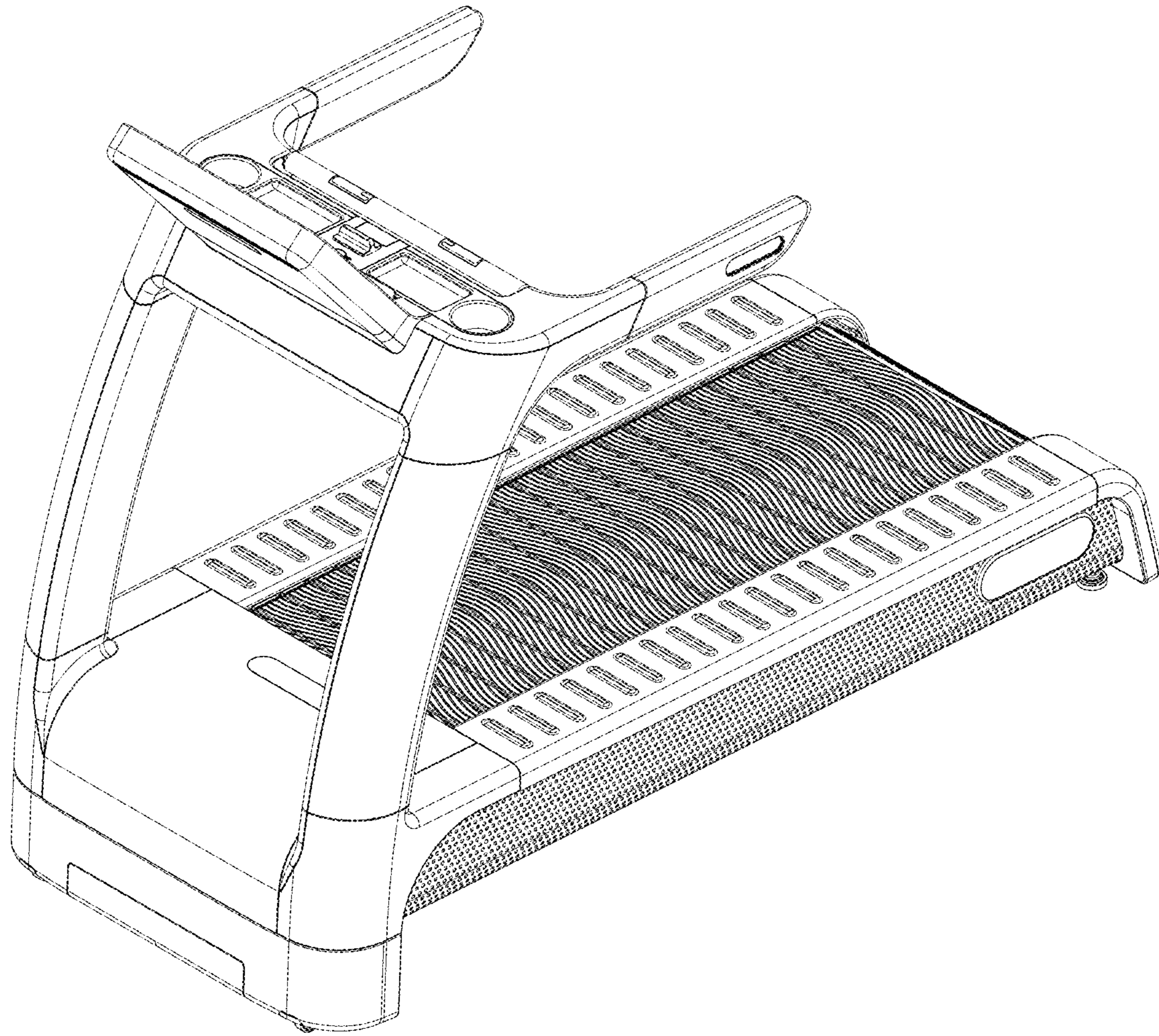


FIG. 1

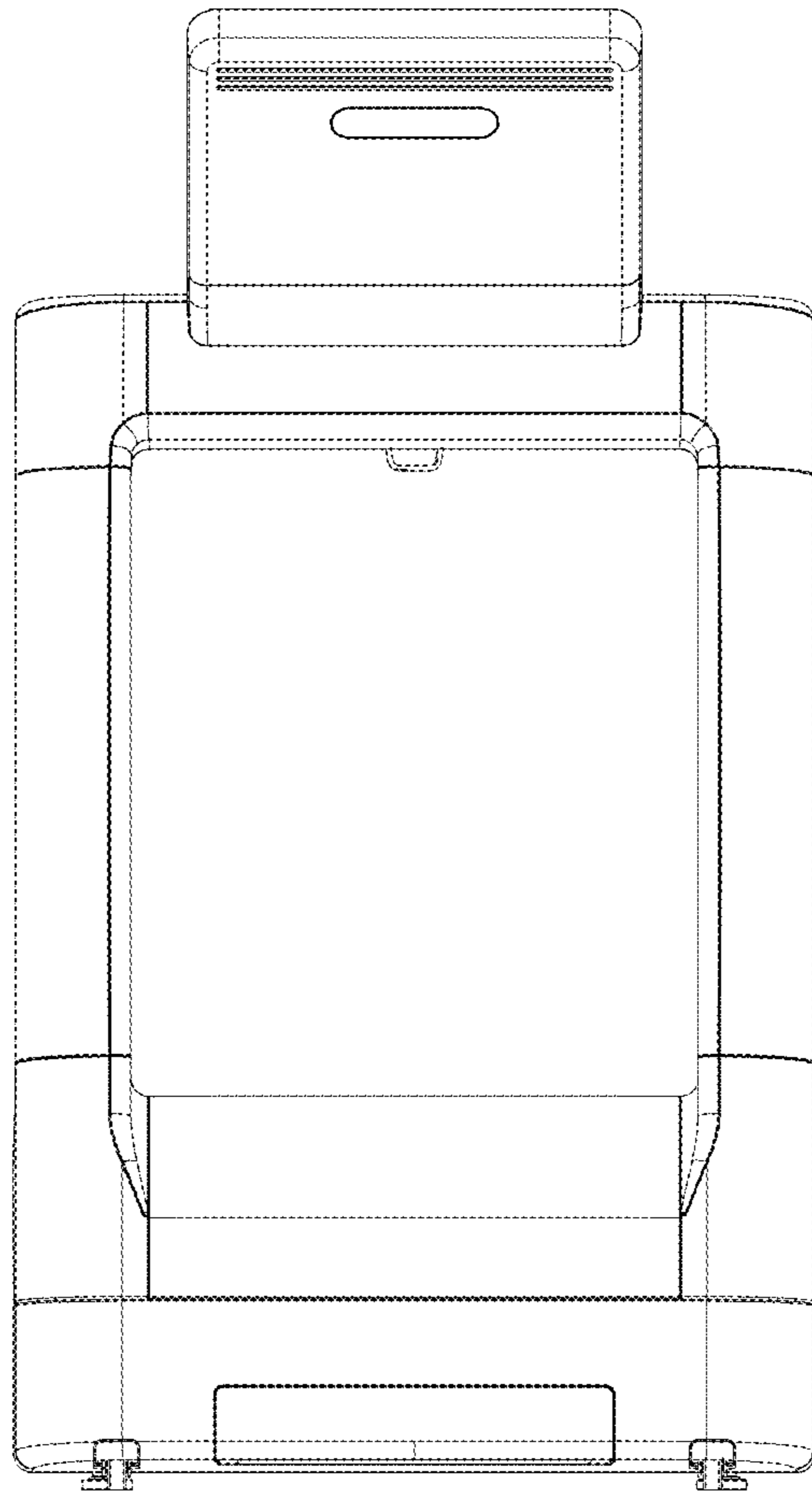


FIG. 2

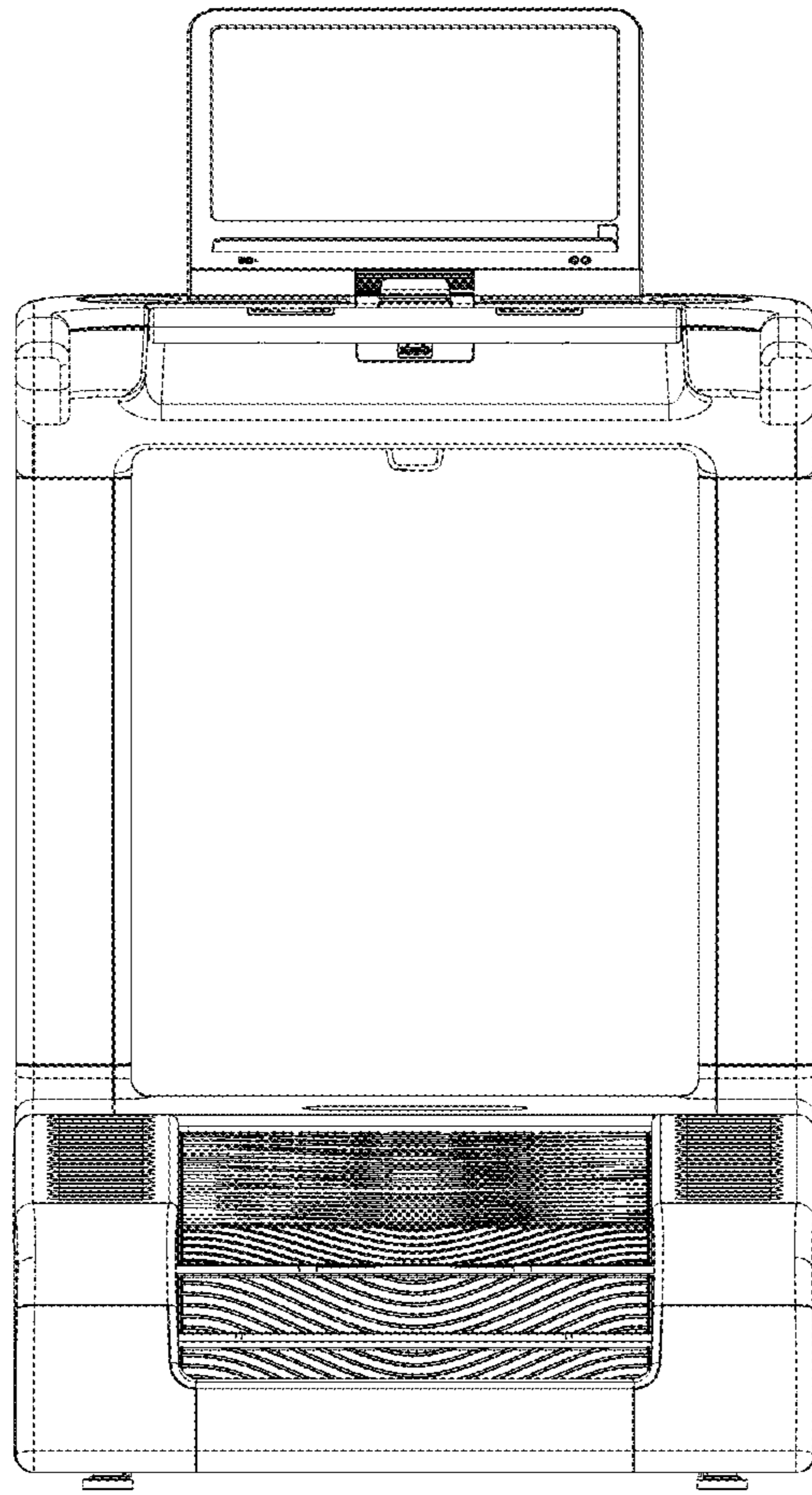


FIG. 3

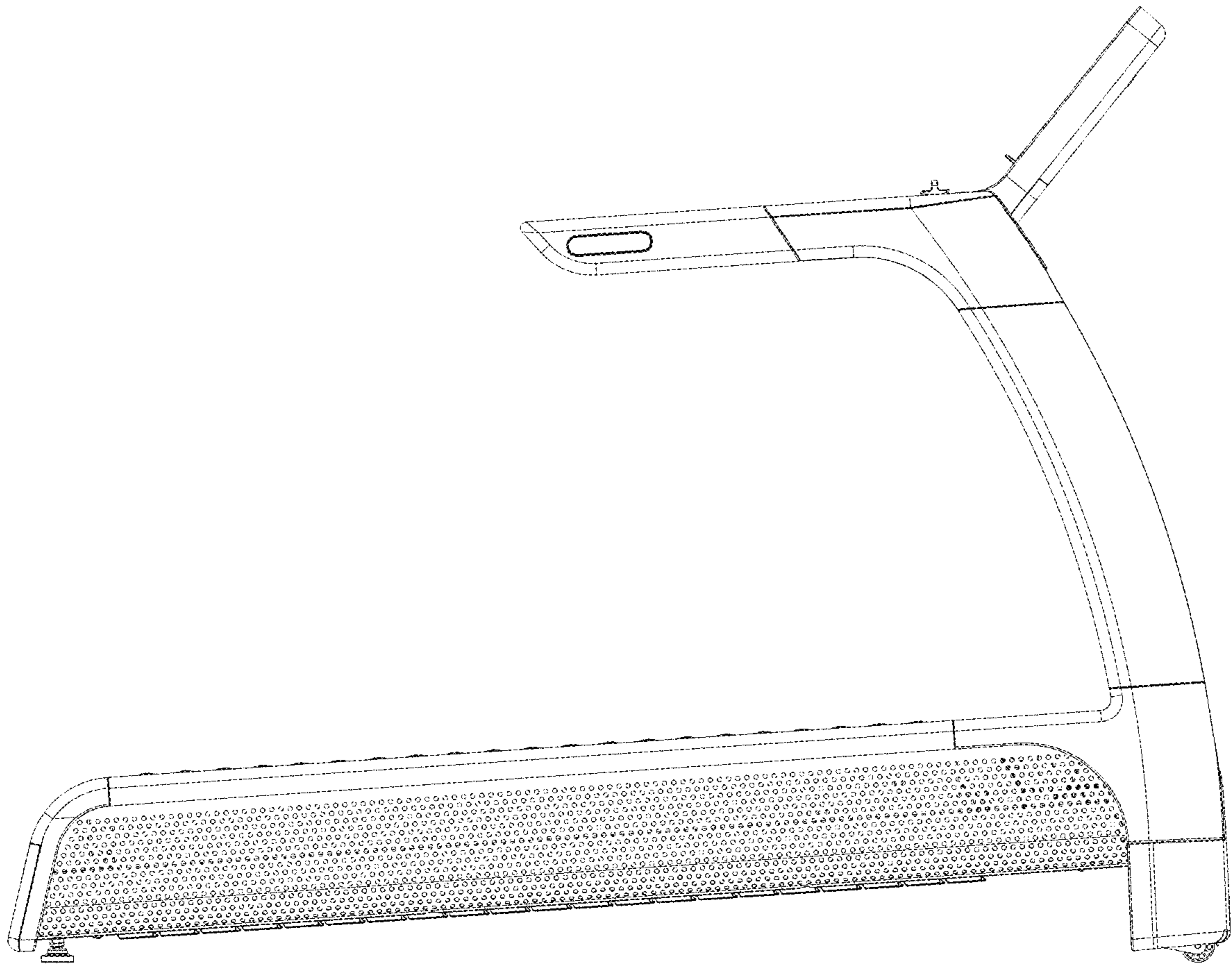


FIG. 4



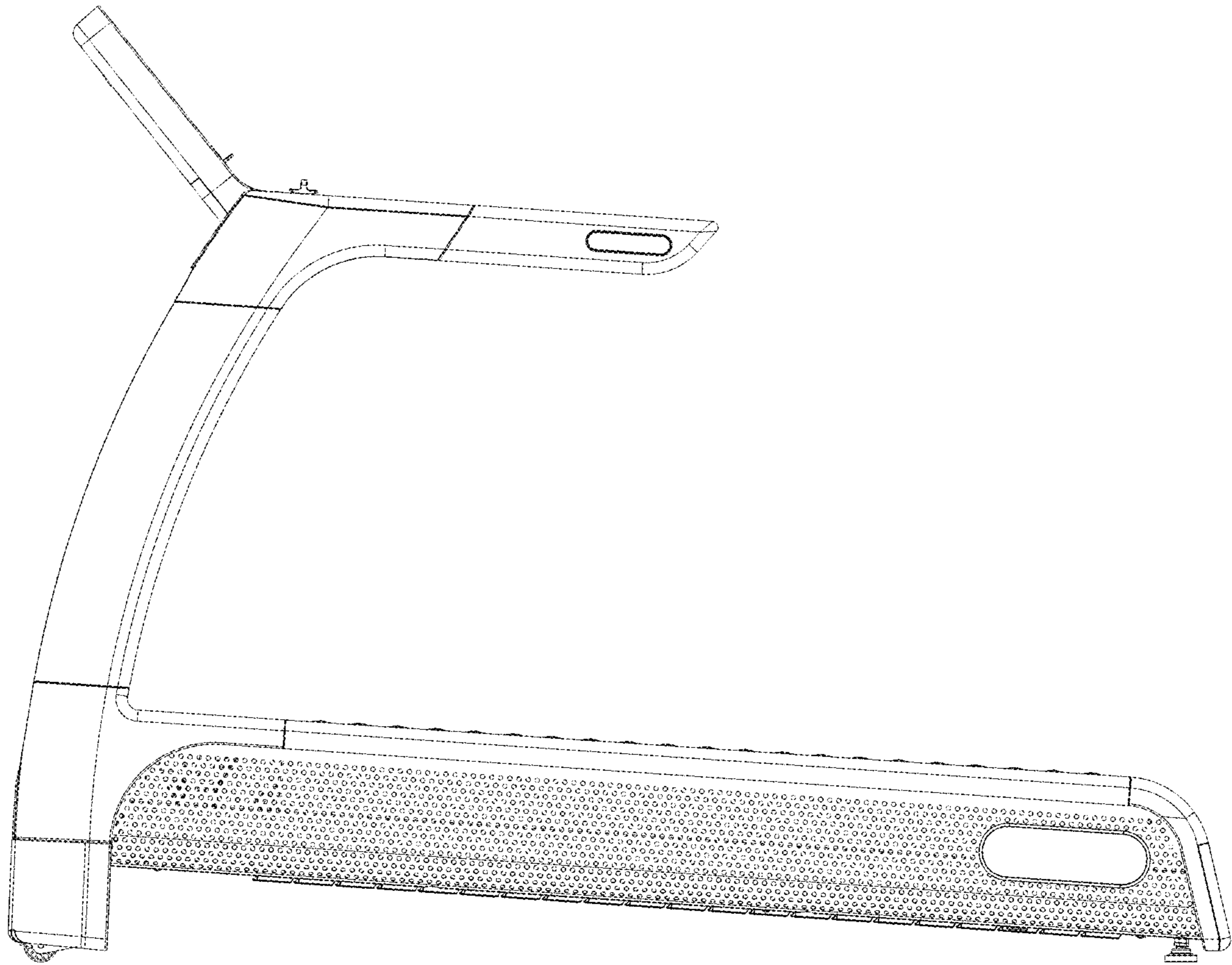


FIG. 5

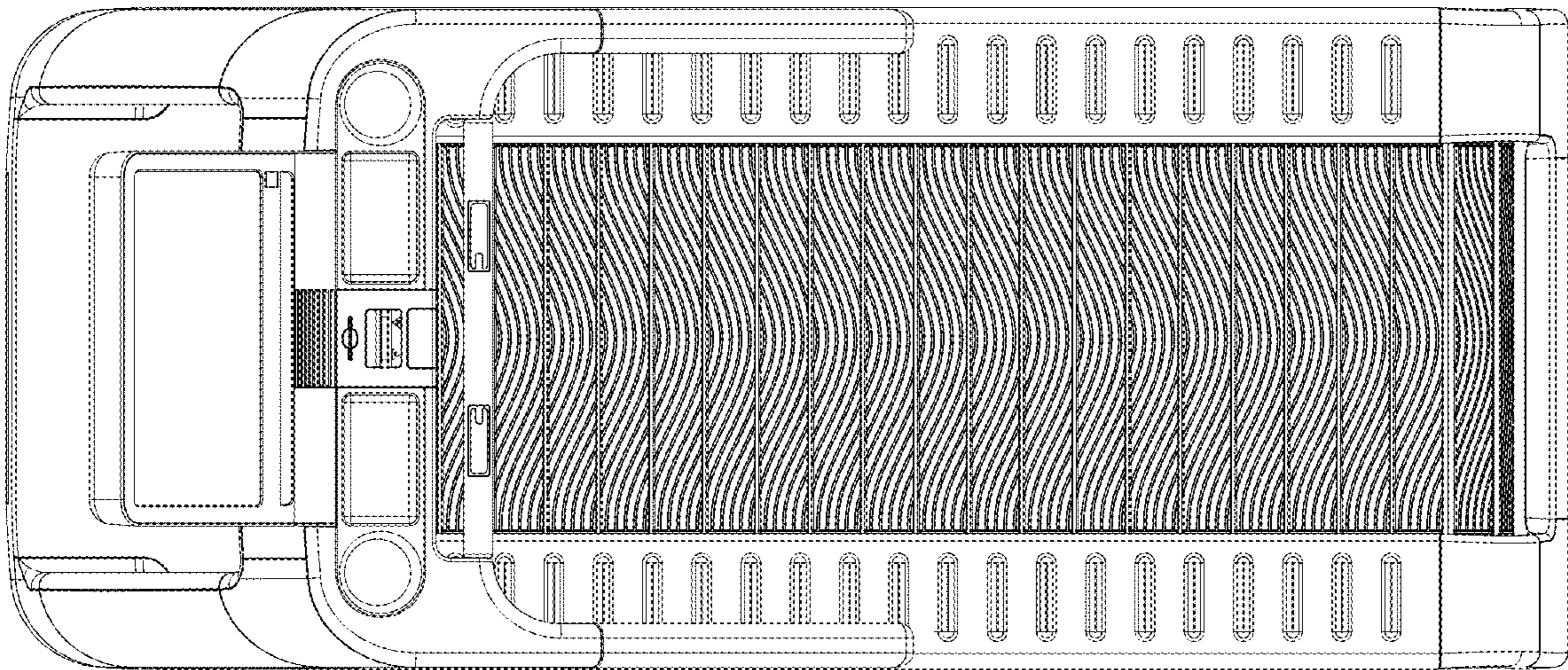


FIG. 6



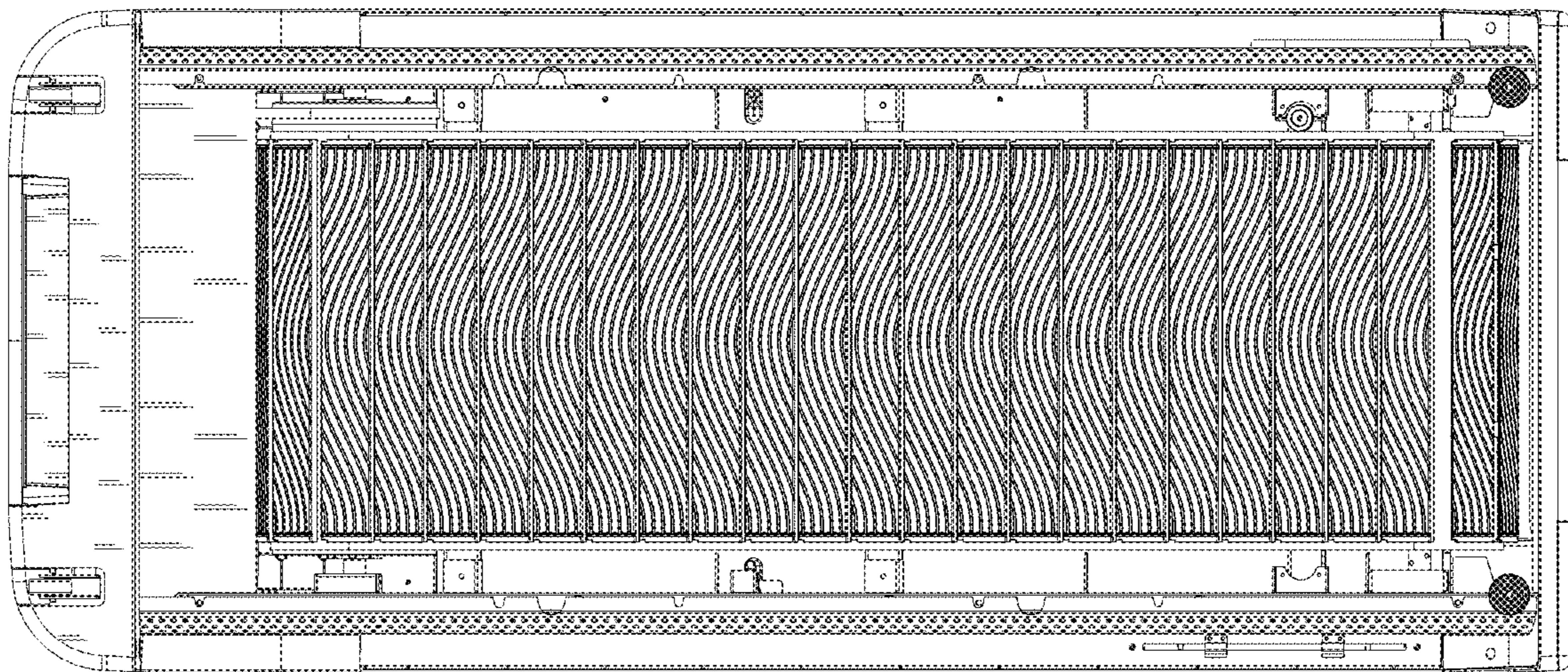


FIG. 7