



US00D873932S

(12) **United States Design Patent** (10) **Patent No.:** **US D873,932 S**
Früh et al. (45) **Date of Patent:** **** Jan. 28, 2020**

(54) **ROBOT**
(71) Applicant: **Zhongrui Funing Robotics (Shenyang) Co. Ltd., Shenyang (CN)**
(72) Inventors: **Michael Früh, Winterthur (CH); Dominik Keusch, Zürich (CH); Alexandra Stahel, Aadorf (CH); Hung Vu, Zürich (CH); Liu Qian, Shenyang (CN)**

D559,288 S 1/2008 Matsuda
D579,035 S 10/2008 Kim
D632,999 S * 2/2011 Yeh D11/158
D634,373 S * 3/2011 Marrero D21/659
D672,408 S 12/2012 Ohler
D689,568 S * 9/2013 Pilgaard D21/658
D715,385 S * 10/2014 Gonzalez Jusino A63H 3/00
D21/622
D719,620 S 12/2014 Clerc
D726,836 S 4/2015 Song
D794,692 S 8/2017 Haranaka
(Continued)

(73) Assignee: **ZHONGRUI FUNING ROBOTICS (SHENYANG) CO LT, Shenyang (CN)**
(**) Term: **15 Years**

Primary Examiner — Zenia I Bennett
(74) *Attorney, Agent, or Firm* — Global IP Counselors, LLP

(21) Appl. No.: **29/691,804**

(57) **CLAIM**

(22) Filed: **May 20, 2019**

The ornamental design for a robot, as shown and described.

Related U.S. Application Data

DESCRIPTION

(62) Division of application No. 29/637,389, filed on Feb. 17, 2018.

FIG. 1 is a front perspective view of a robot illustrating our new design;
FIG. 2 is a front view thereof;
FIG. 3 is a back view thereof;
FIG. 4 is a right side view thereof;
FIG. 5 is a left side view thereof;
FIG. 6 is a top side view thereof;
FIG. 7 is a bottom side view thereof;
FIG. 8 is a front perspective view of a robot illustrating a second embodiment of our new design;
FIG. 9 is a front view thereof;
FIG. 10 is a back view thereof;
FIG. 11 is a right side view thereof;
FIG. 12 is a left side view thereof;
FIG. 13 is a top side view thereof; and,
FIG. 14 is a bottom side view thereof.
The broken lines shown in the drawings depict portions of the robot that form no part of the claimed design.

(30) **Foreign Application Priority Data**

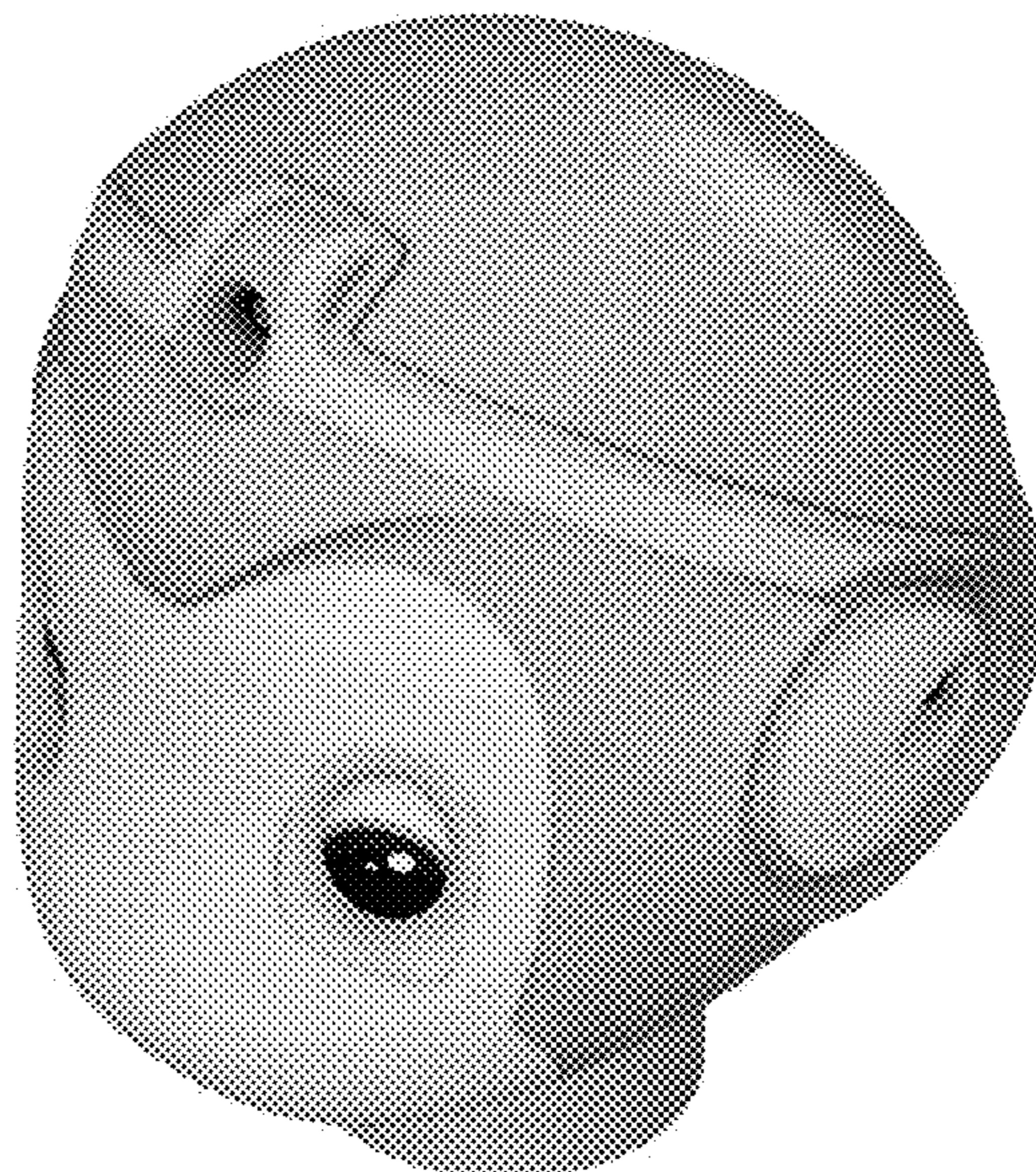
Aug. 18, 2017 (CH) 143461
(51) **LOC (12) Cl.** **21-01**
(52) **U.S. Cl.**
USPC **D21/659**
(58) **Field of Classification Search**
USPC D21/495, 499, 500, 505, 578, 583, 621, D21/622; D15/199
CPC B25J 9/00; B25J 9/0003; B25J 9/0006
See application file for complete search history.

(56) **References Cited**

U.S. PATENT DOCUMENTS

D549,756 S 8/2007 Park
D550,735 S 9/2007 Takahashi

1 Claim, 14 Drawing Sheets



(56)

References Cited

U.S. PATENT DOCUMENTS

D806,805 S 1/2018 Takahashi
2007/0192910 A1 8/2007 Vu

* cited by examiner



FIG. 1



FIG. 2

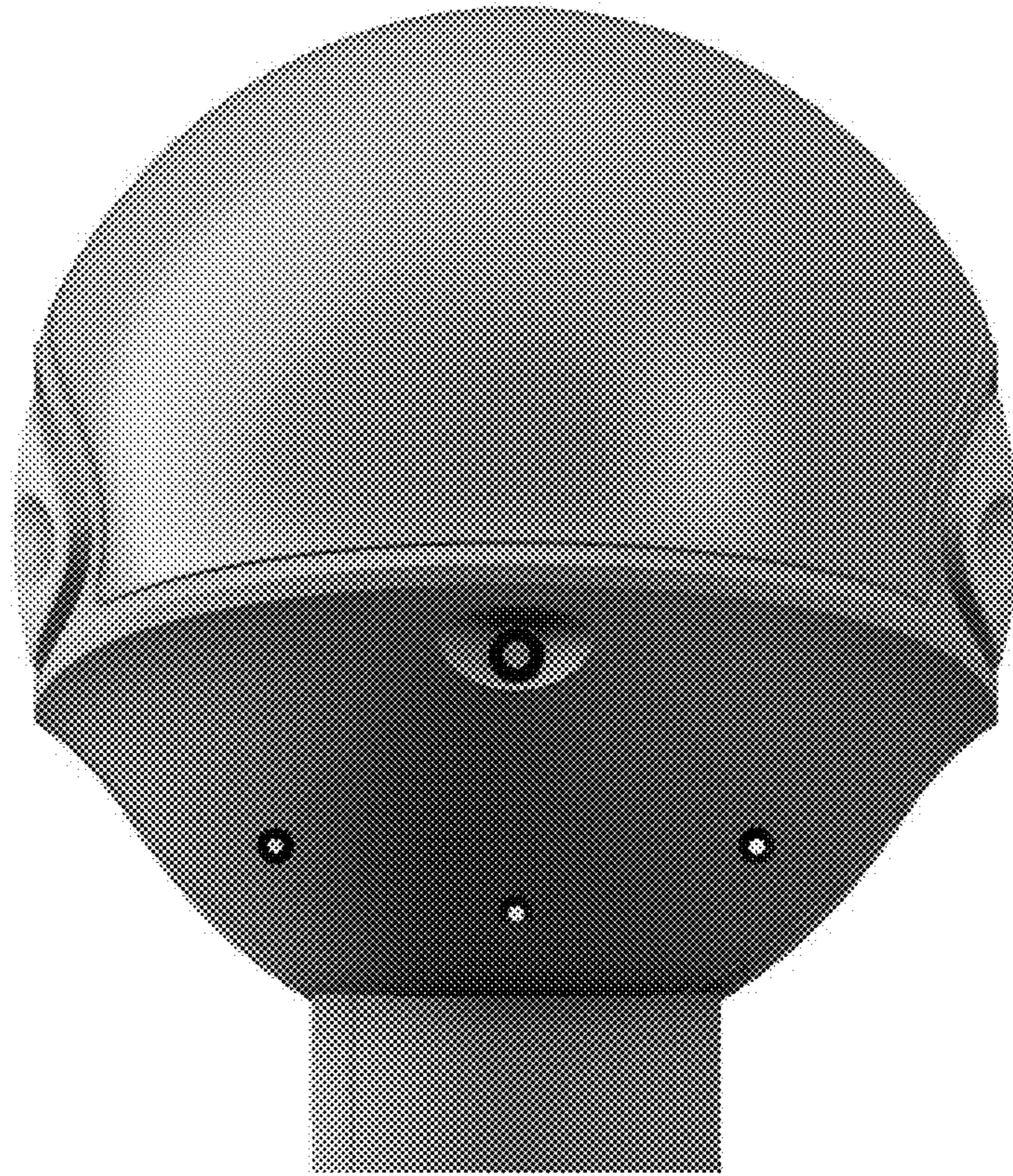


FIG. 3

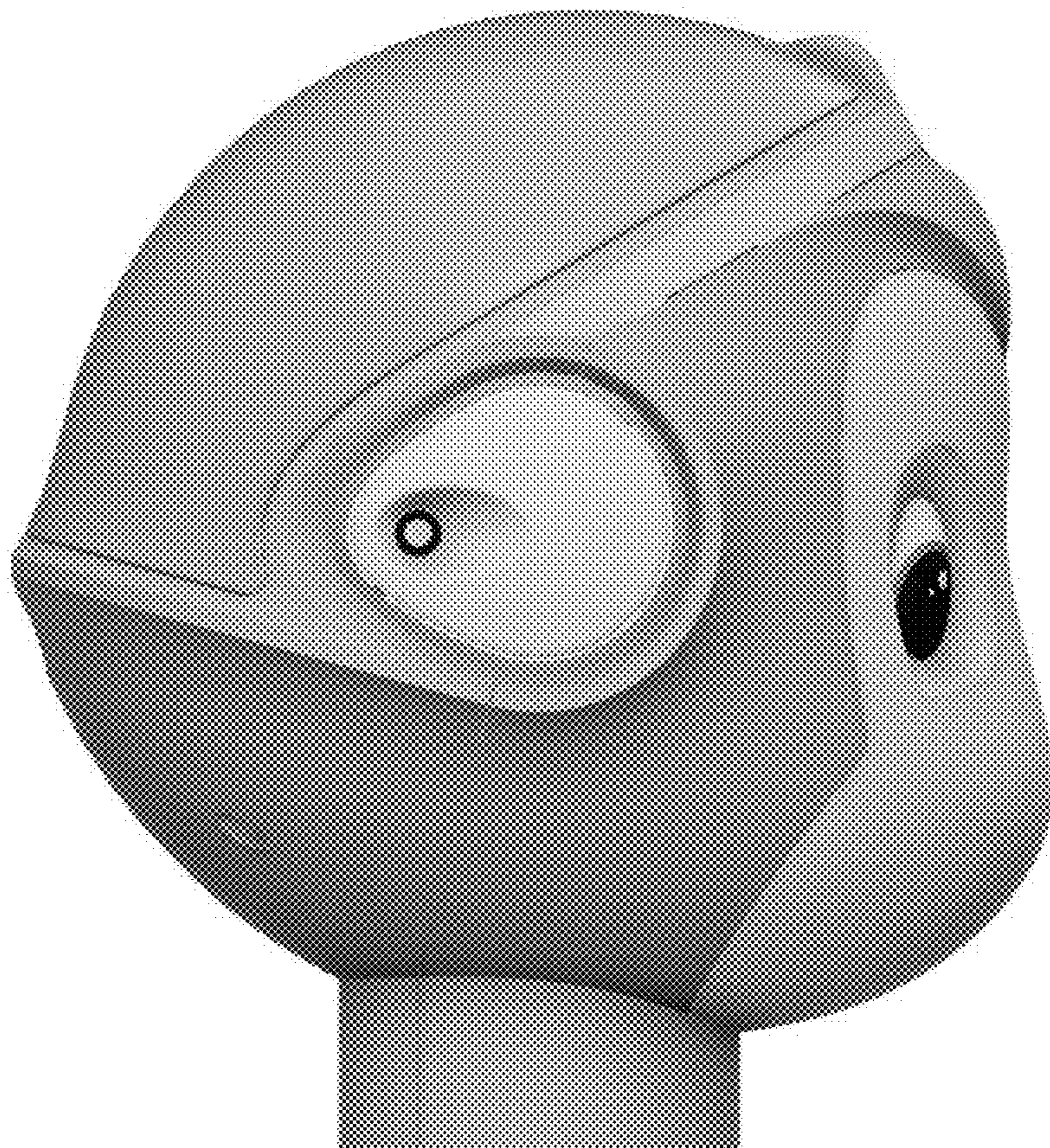


FIG. 4

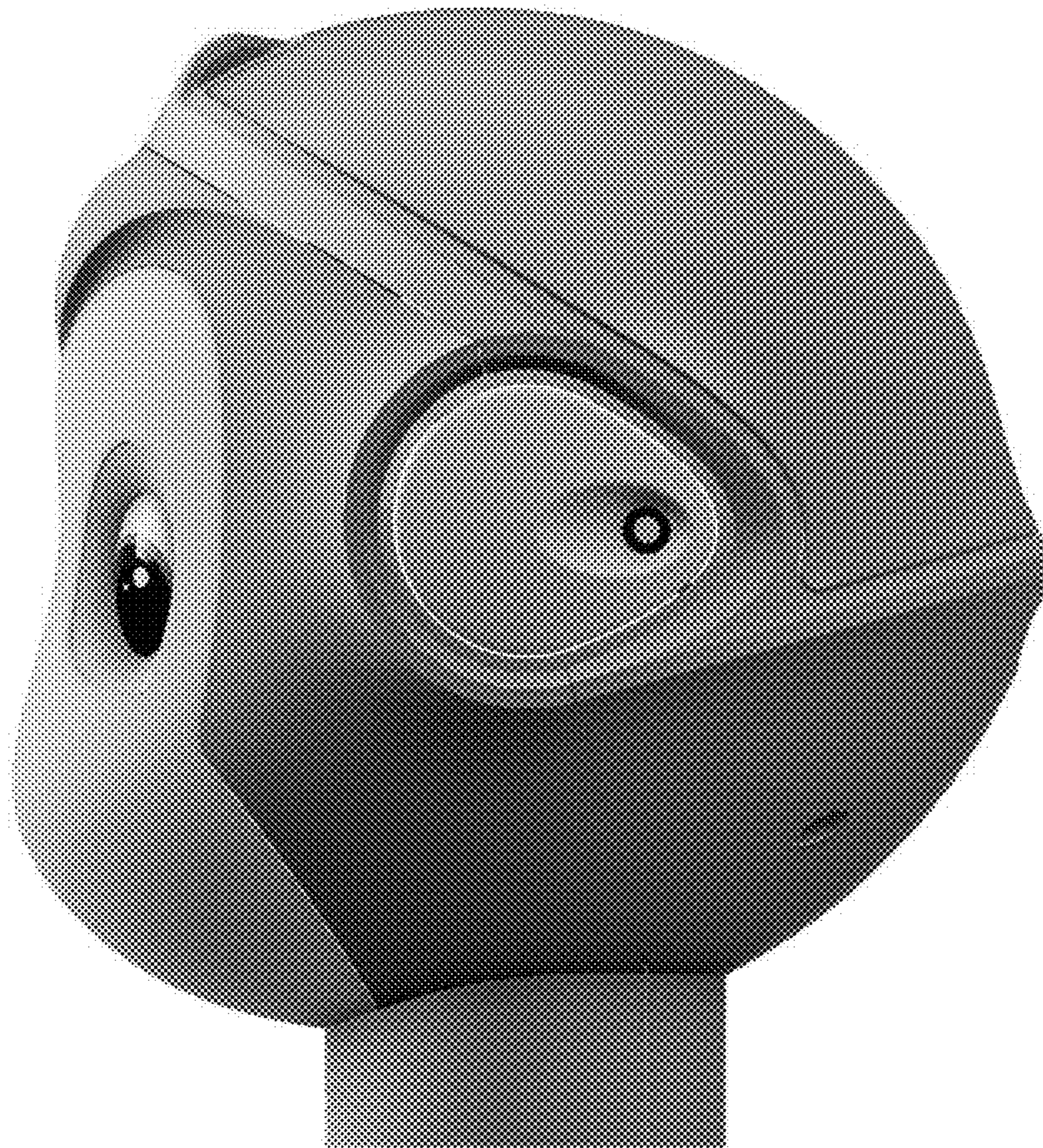


FIG. 5

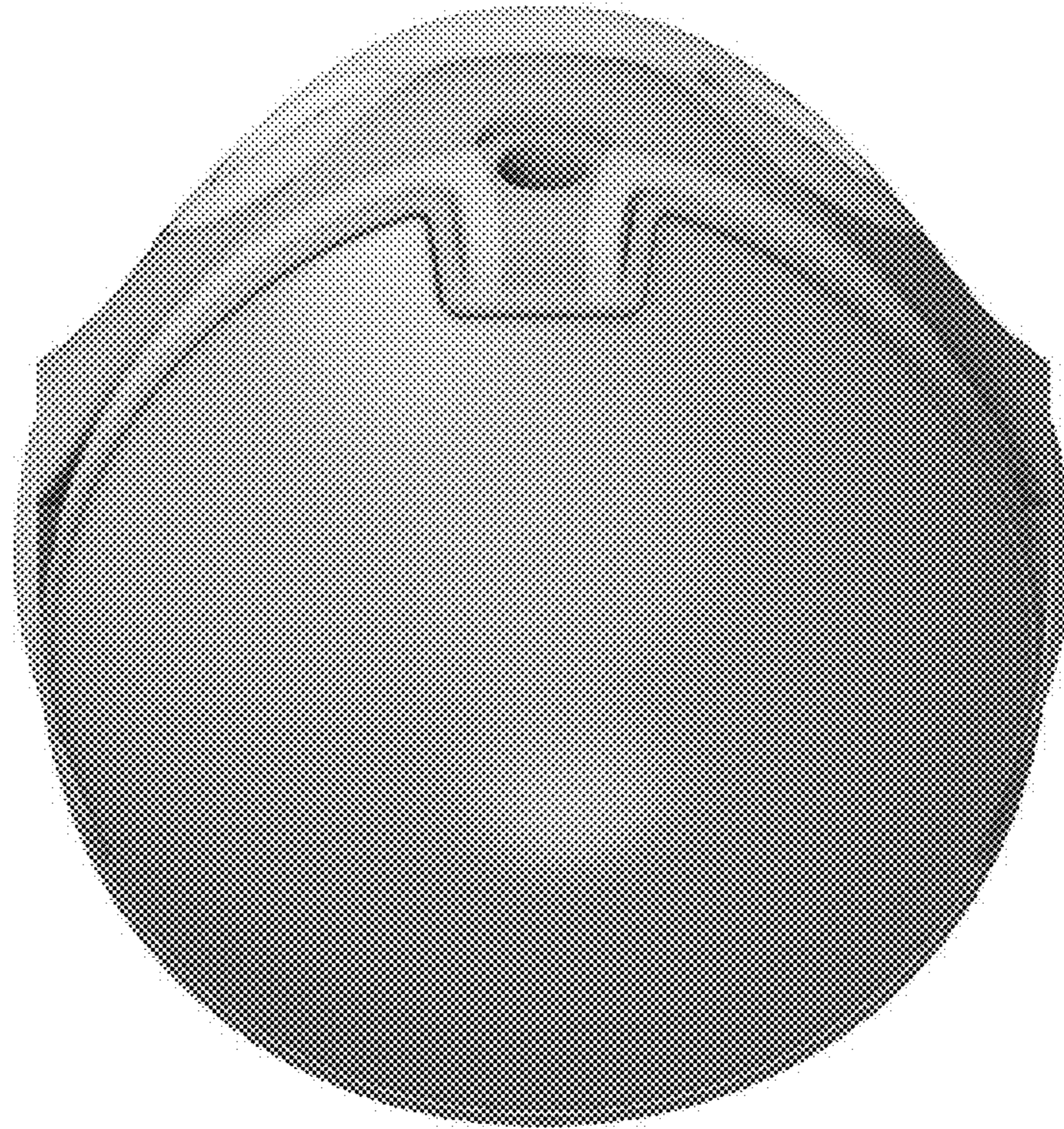


FIG. 6

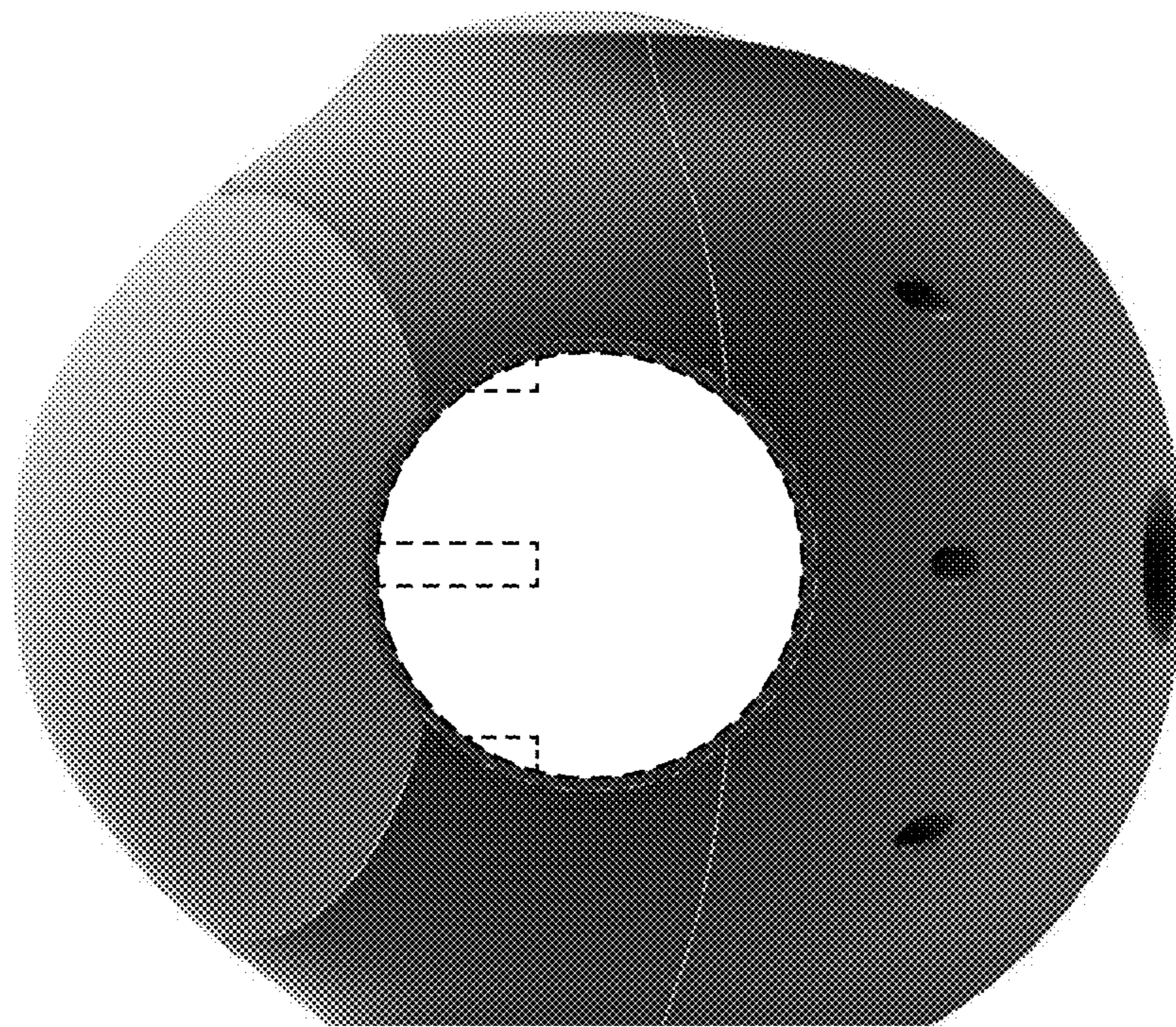


FIG. 7



FIG. 8



FIG. 9



FIG. 10

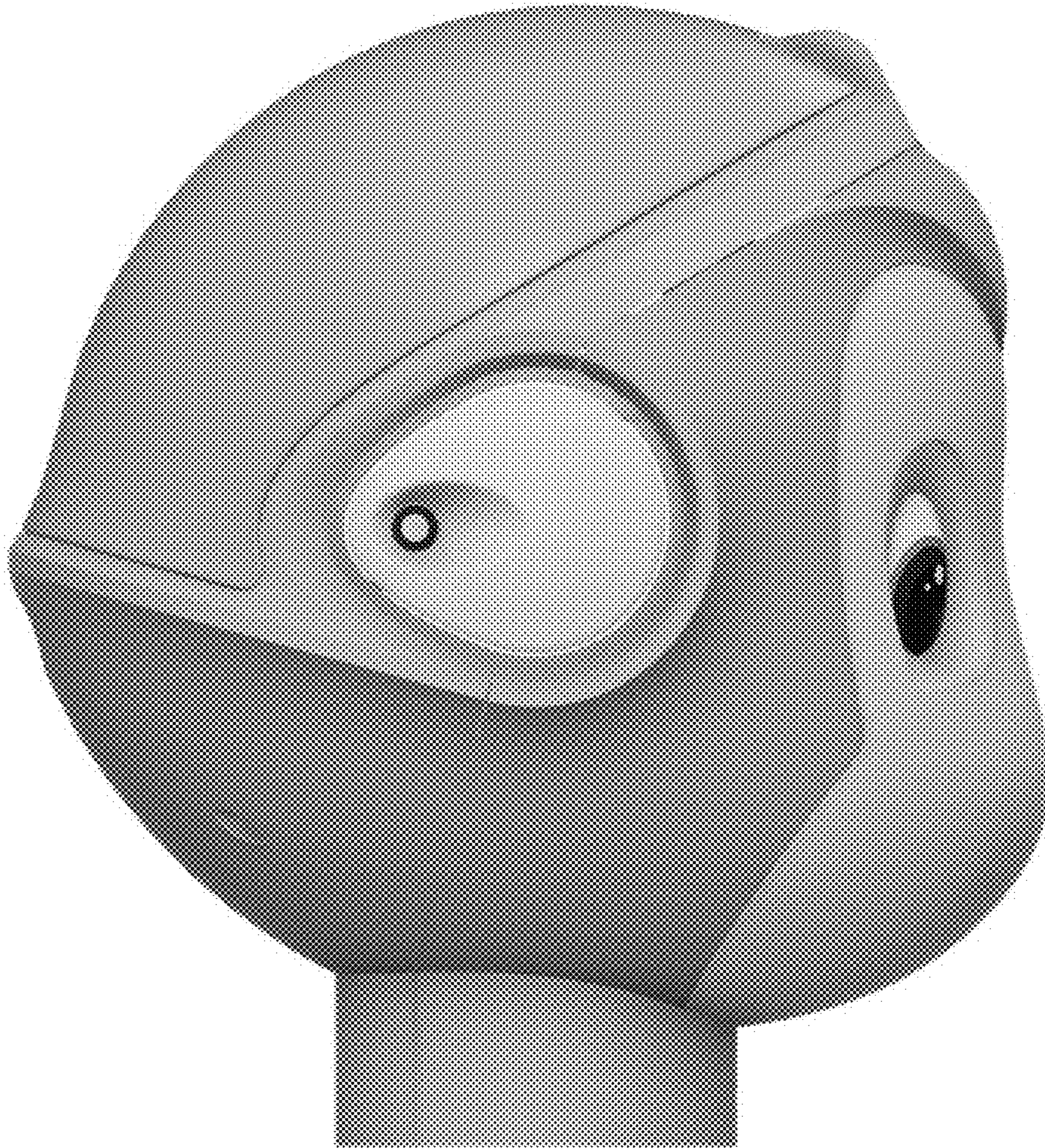


FIG. 11

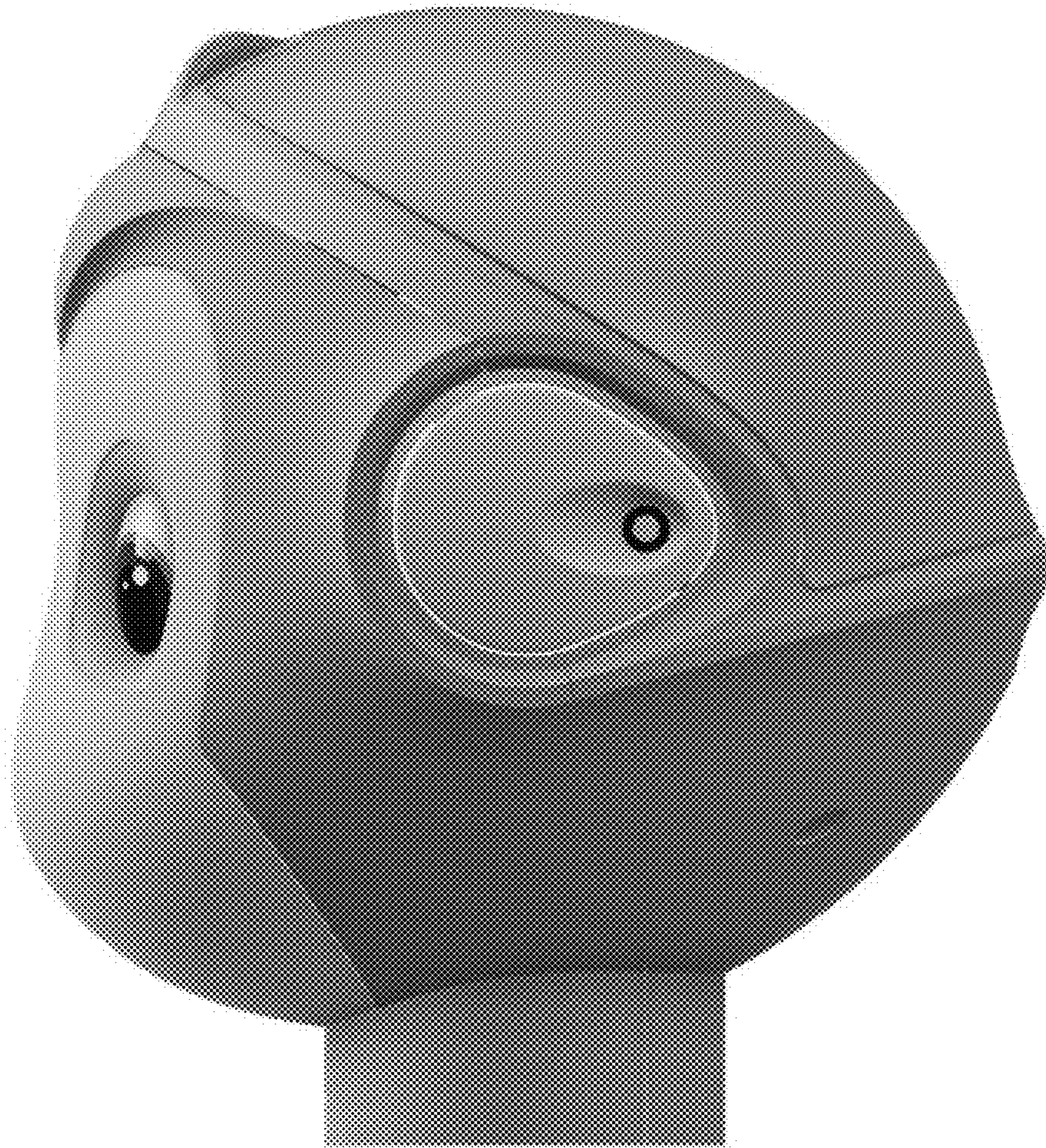


FIG. 12



FIG. 13

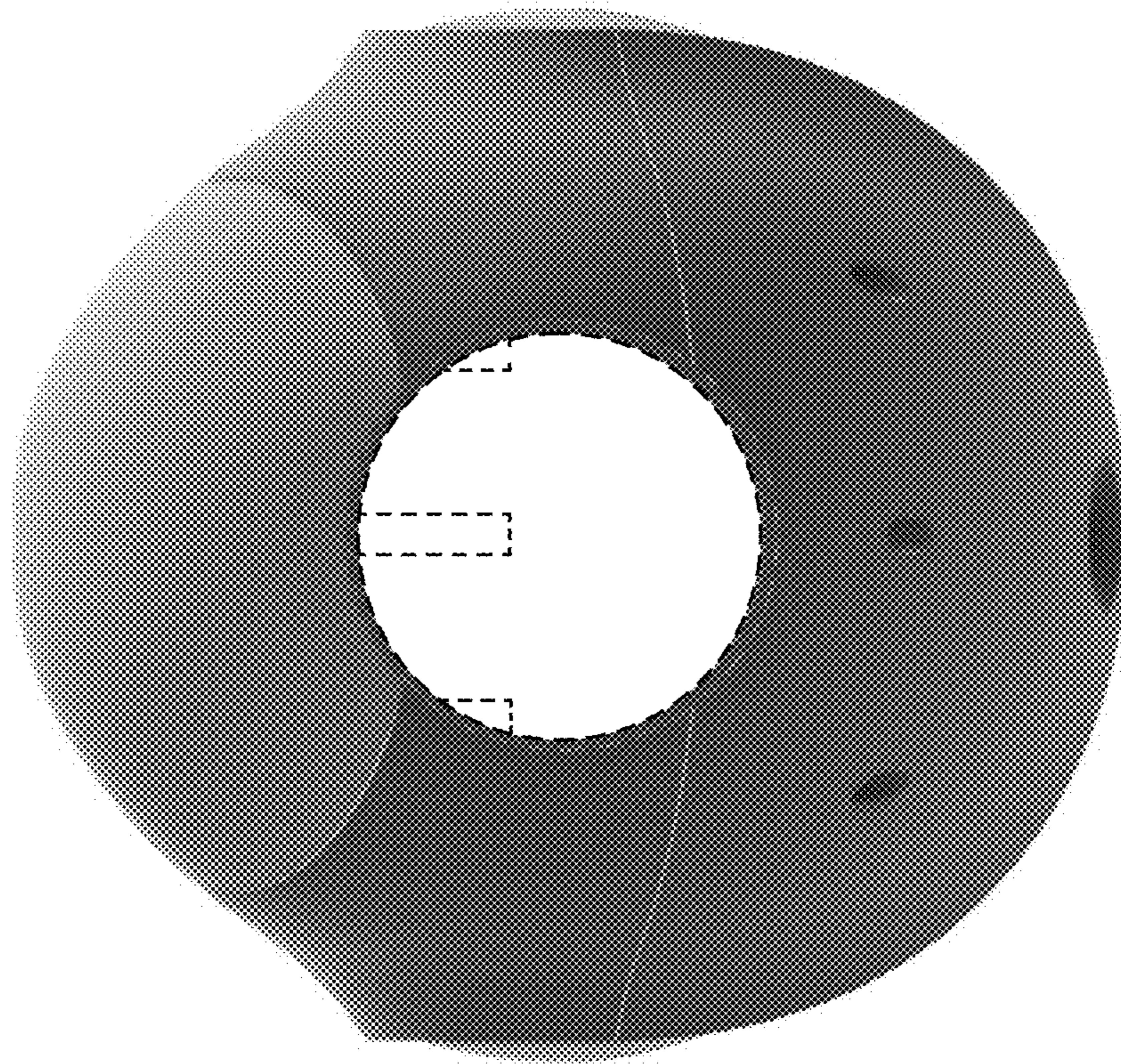


FIG. 14