



(12) **United States Design Patent**
Cadiente

(10) **Patent No.:** **US D873,930 S**
(45) **Date of Patent:** **** Jan. 28, 2020**

(54) **TOY**

(71) Applicant: **Jackie Cadiente**, Burbank, CA (US)

(72) Inventor: **Jackie Cadiente**, Burbank, CA (US)

(**) Term: **15 Years**

(21) Appl. No.: **29/666,486**

(22) Filed: **Oct. 12, 2018**

(51) **LOC (12) Cl.** **21-02**

(52) **U.S. Cl.**
USPC **D21/630; D21/633**

(58) **Field of Classification Search**
USPC D21/576, 600, 604, 605, 621, 630–634,
D21/639, 655, 658; D19/60
See application file for complete search history.

(56) **References Cited**

U.S. PATENT DOCUMENTS

D71,917 S *	1/1927	Kotolidis	D21/398
D97,329 S *	10/1935	Katagiri	D21/623
D145,894 S *	11/1946	Grosvenor	D21/630
D153,647 S *	5/1949	Szantay	D21/623
D184,931 S *	4/1959	Hahn	D21/585
D208,480 S *	9/1967	Fratzscher	D21/386
3,768,197 A *	10/1973	Shimamura	A63H 3/16 446/98
D241,044 S *	8/1976	Daenen	D21/623
D242,641 S *	12/1976	Neville	D21/623
D332,420 S *	1/1993	Mankey	D11/117
D415,801 S *	10/1999	Sisler	D21/621
D485,873 S *	1/2004	Pino	D21/595
D531,542 S *	11/2006	McGowen	D11/160
D551,086 S *	9/2007	Lepoitevin	D21/623

OTHER PUBLICATIONS

Jackie Cadiente—Puppet Souls: Published 2015 [online], site visited Aug. 22, 2019. Available from Internet URL: <https://featherofme.com/jackie-cadiente-puppet-souls/> (Year: 2015).*
Halloween Special—Skeleton Paper Toy for Kids—by DigitProp: Published Oct. 6, 2018 [online], site visited Sep. 3, 2019. Available from Internet URL: <http://papermau.blogspot.com/2018/10/halloween-special-skeleton-paper-toy.html> (Year: 2018).*
Spooky Hollow Grimmy: Published Dec. 10, 2018 [online], site visited Sep. 3, 2019. Available from Internet URL: <https://twitter.com/spookyhollow/status/1072230711069999107> (Year: 2018).*

* cited by examiner

Primary Examiner — Jack Reickel
Assistant Examiner — Melvin L Davis
(74) *Attorney, Agent, or Firm* — LKP Global Law, LLP

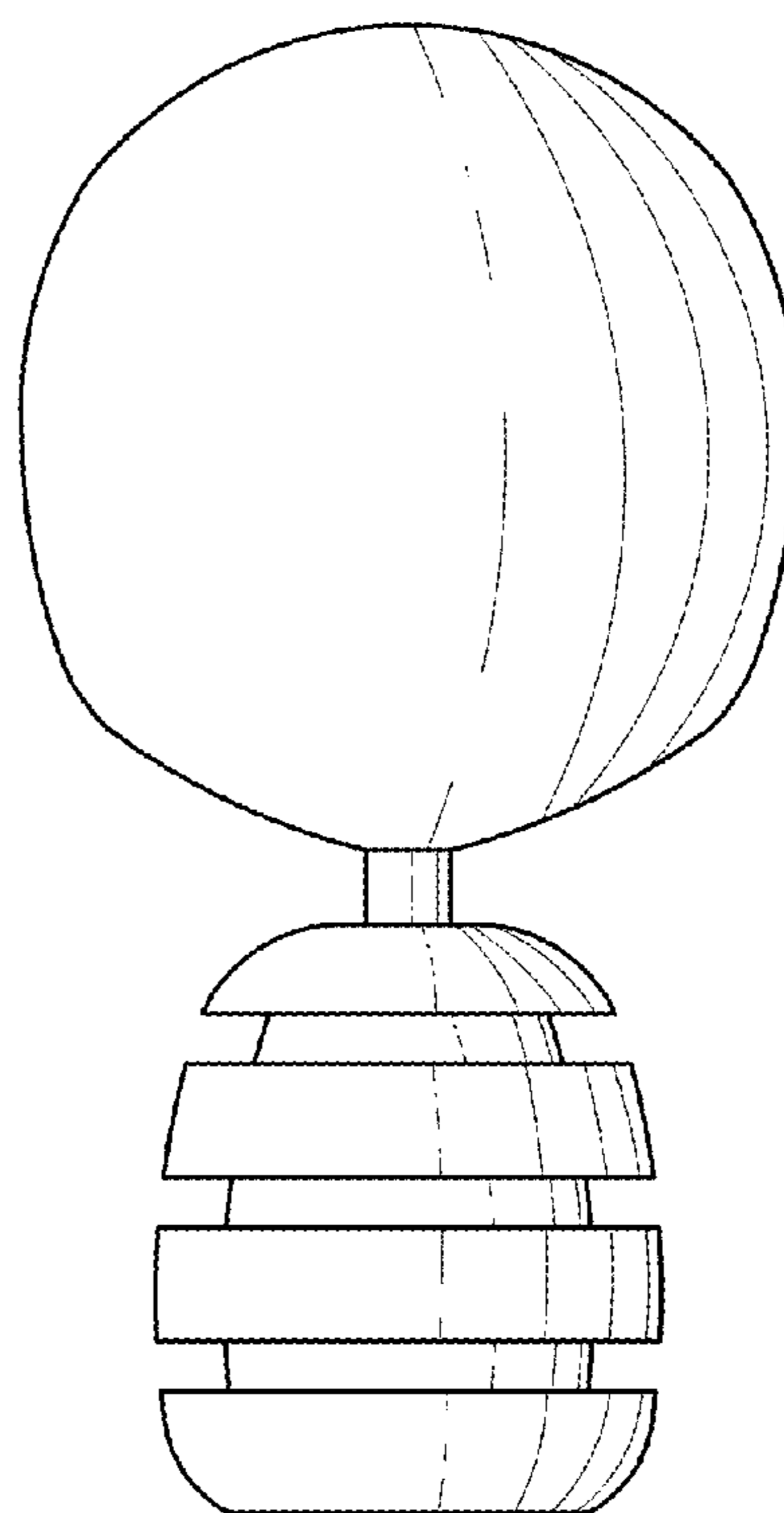
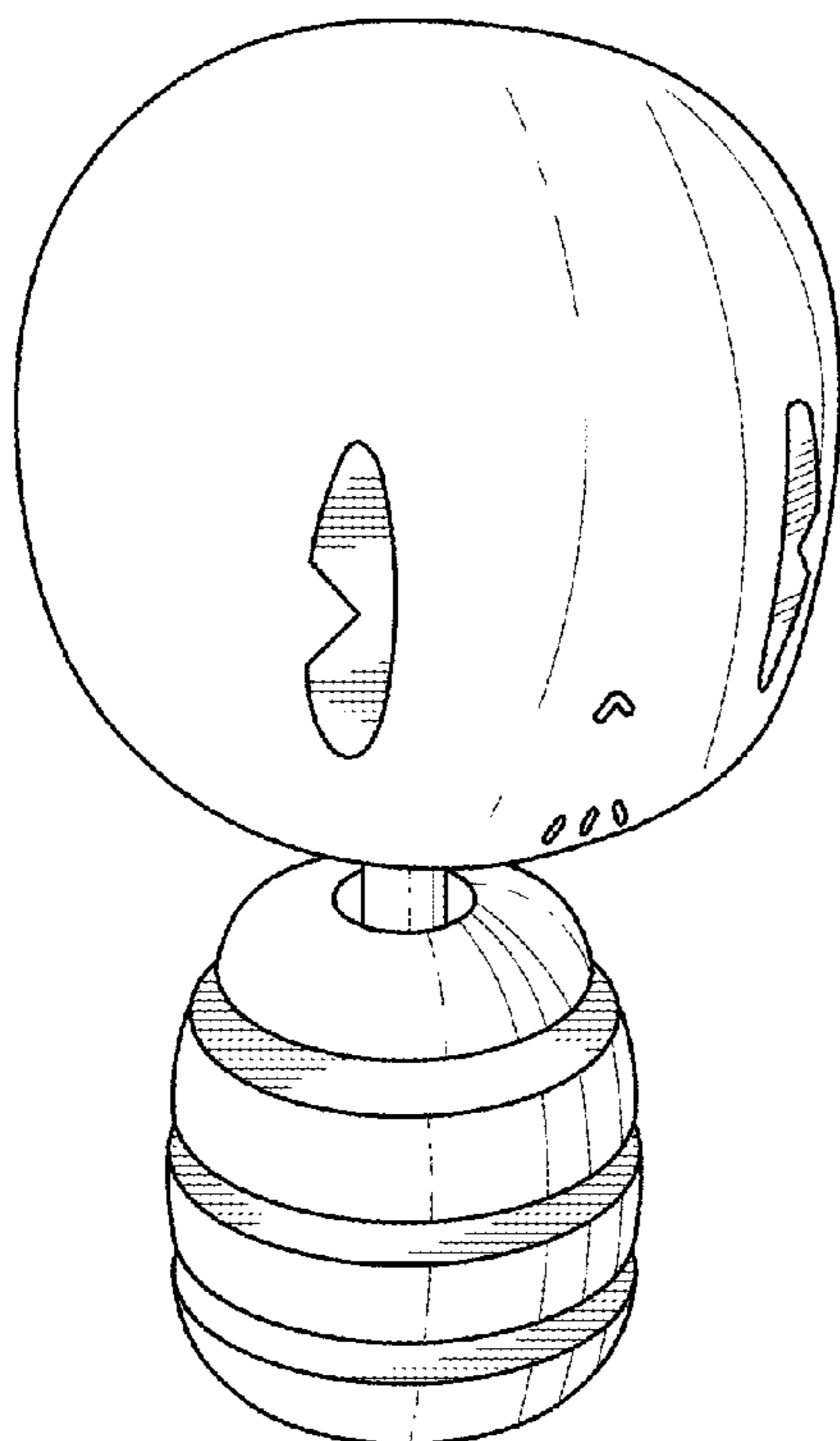
(57) **CLAIM**

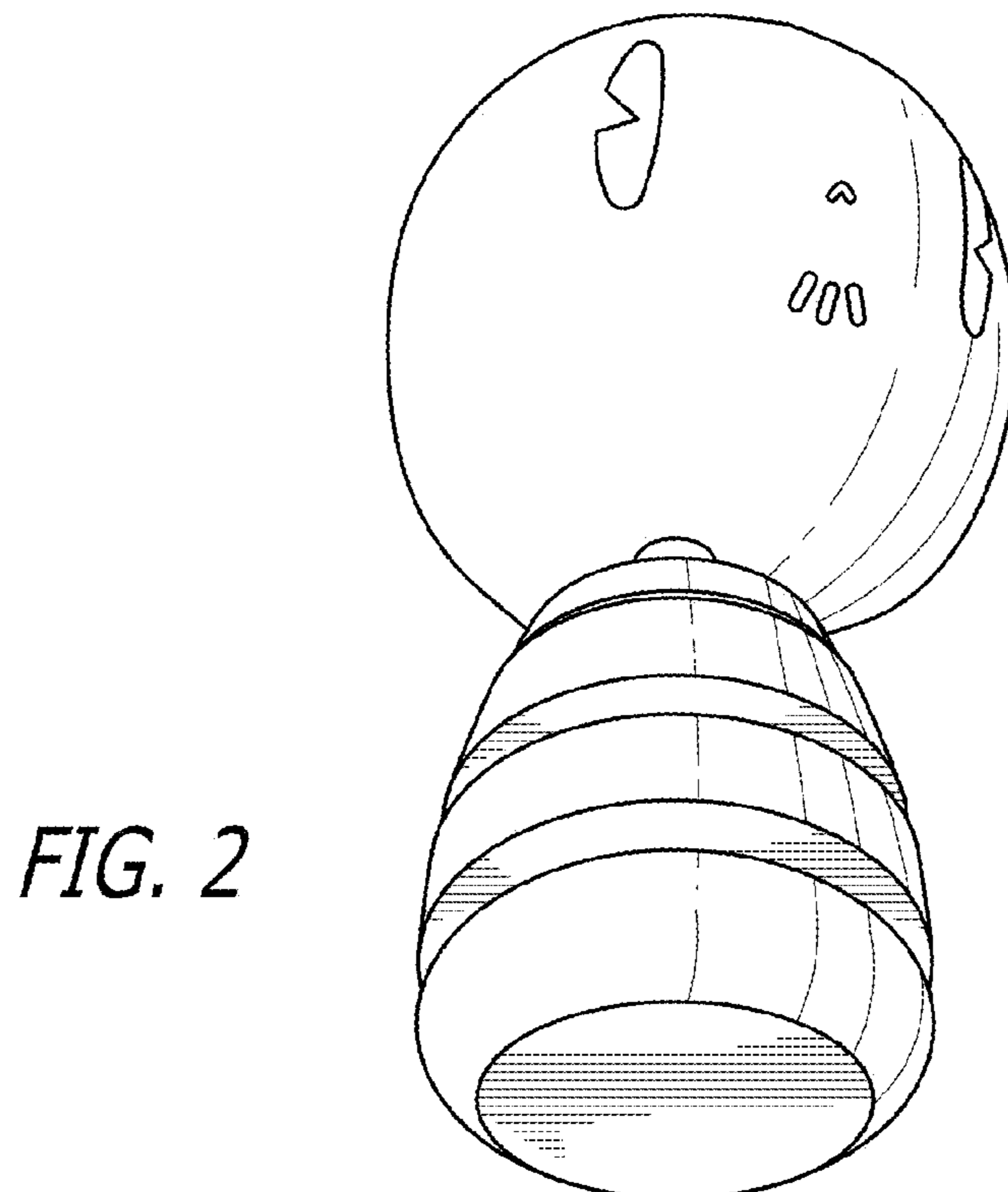
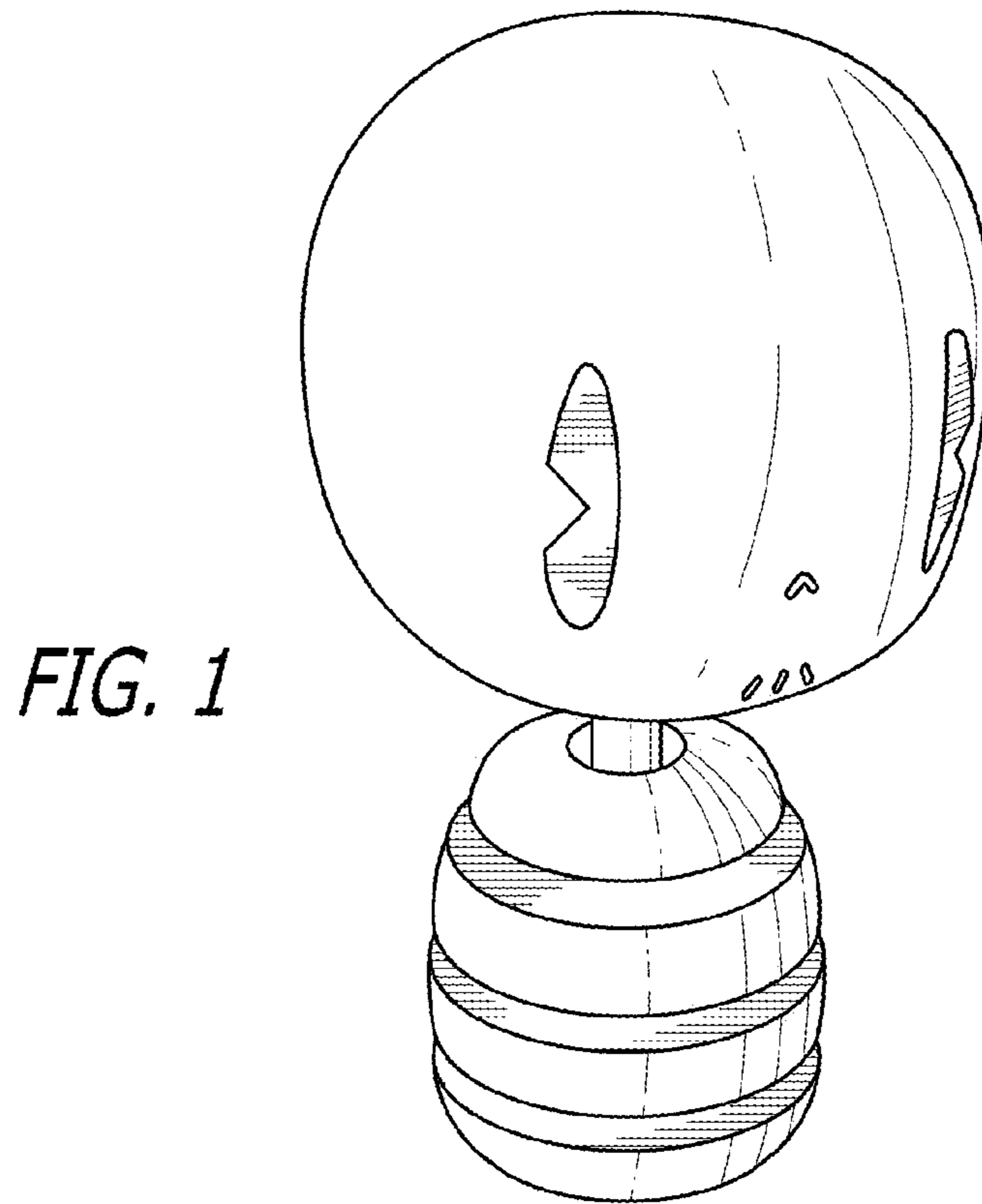
The ornamental design for a toy, as shown and described.

DESCRIPTION

FIG. 1 is a top perspective view of a toy;
FIG. 2 is a bottom perspective view of the toy taken from FIG. 1;
FIG. 3 is a front view of the toy of FIG. 1;
FIG. 4 is a back view of the toy of FIG. 1;
FIG. 5 is a left view of the toy of FIG. 1;
FIG. 6 is a right view of the toy of FIG. 1;
FIG. 7 is a top view of the toy of FIG. 1; and,
FIG. 8 is a bottom view of the toy of FIG. 1.

1 Claim, 4 Drawing Sheets





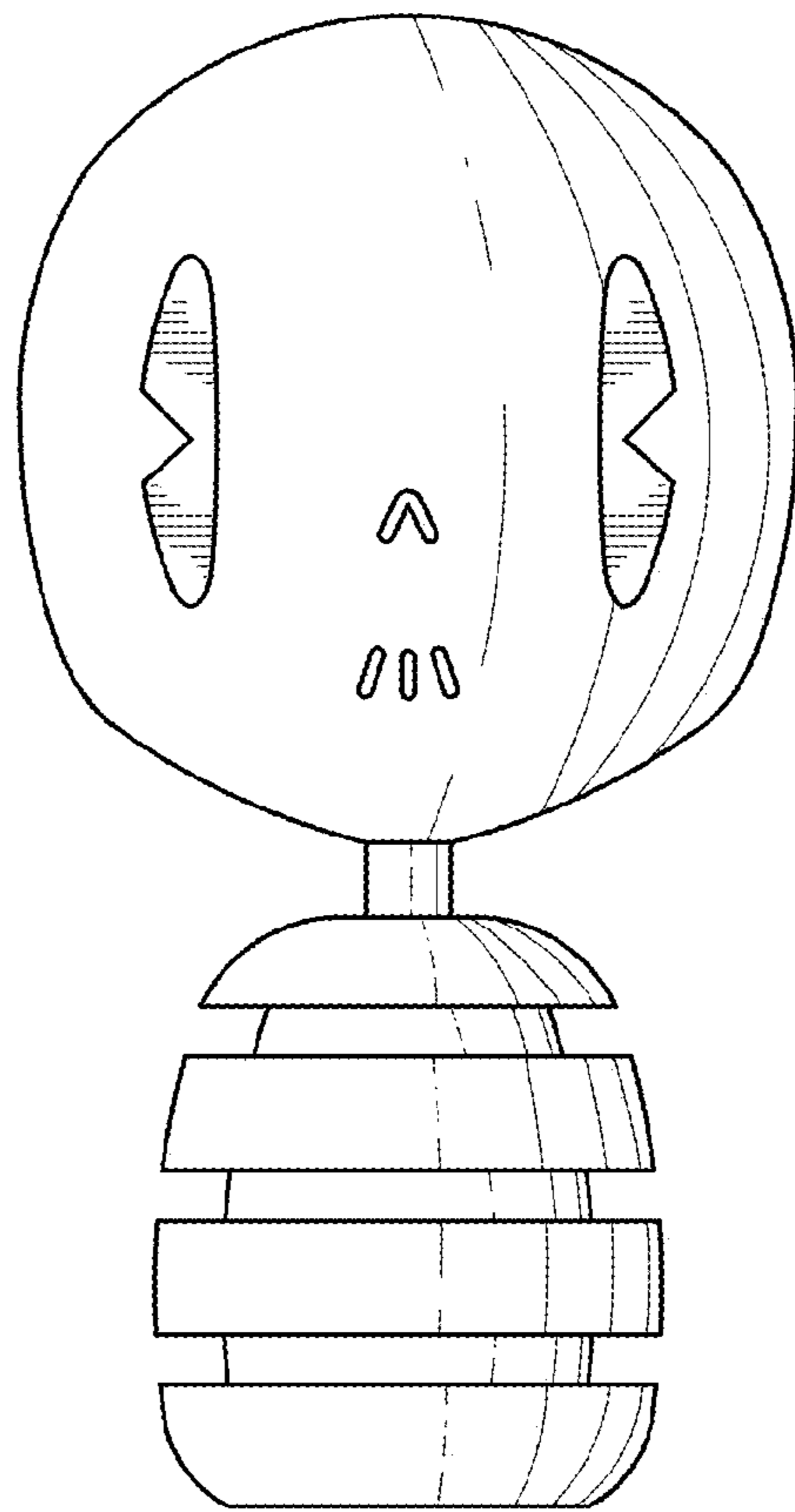


FIG. 3

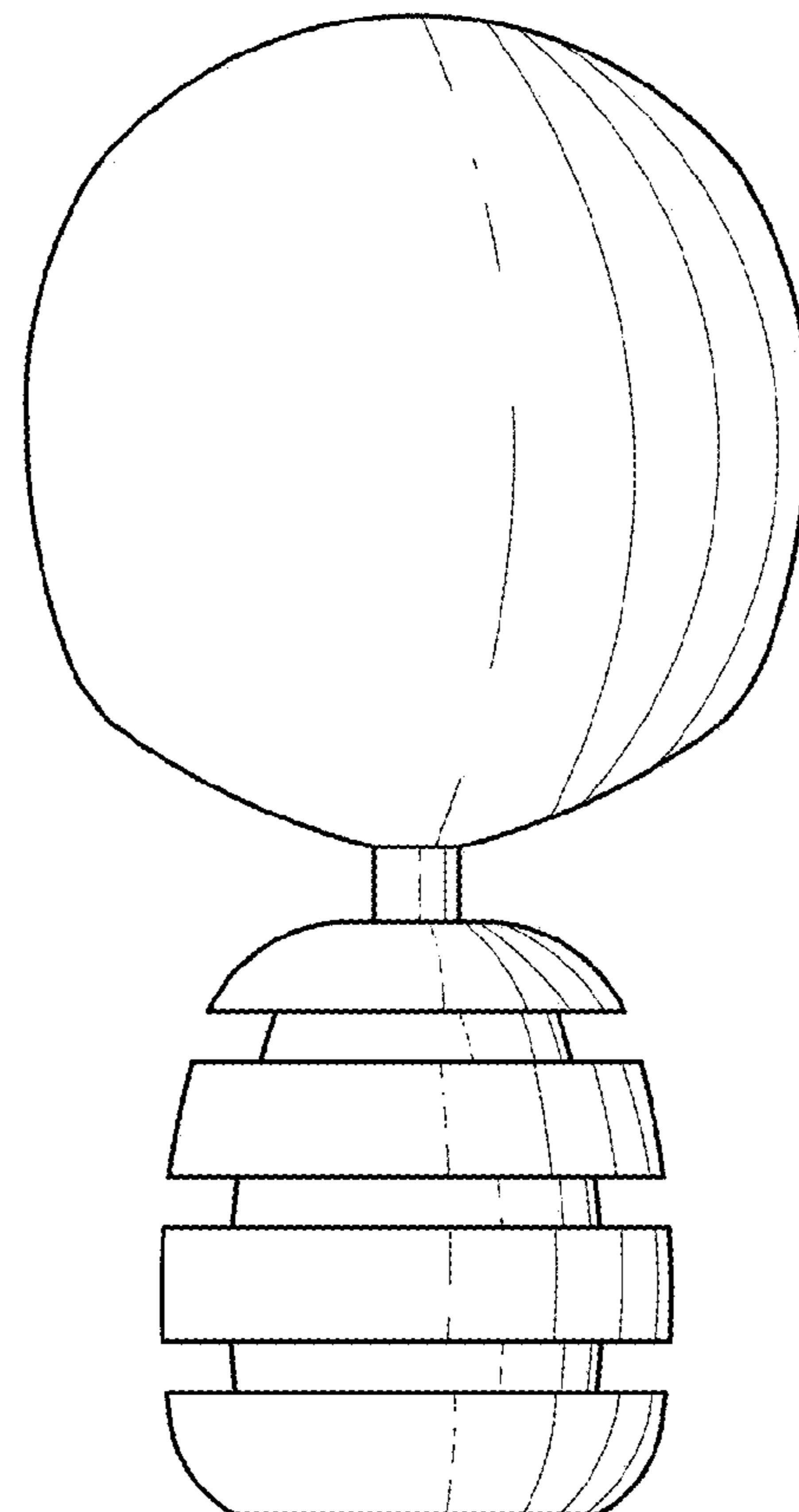


FIG. 4

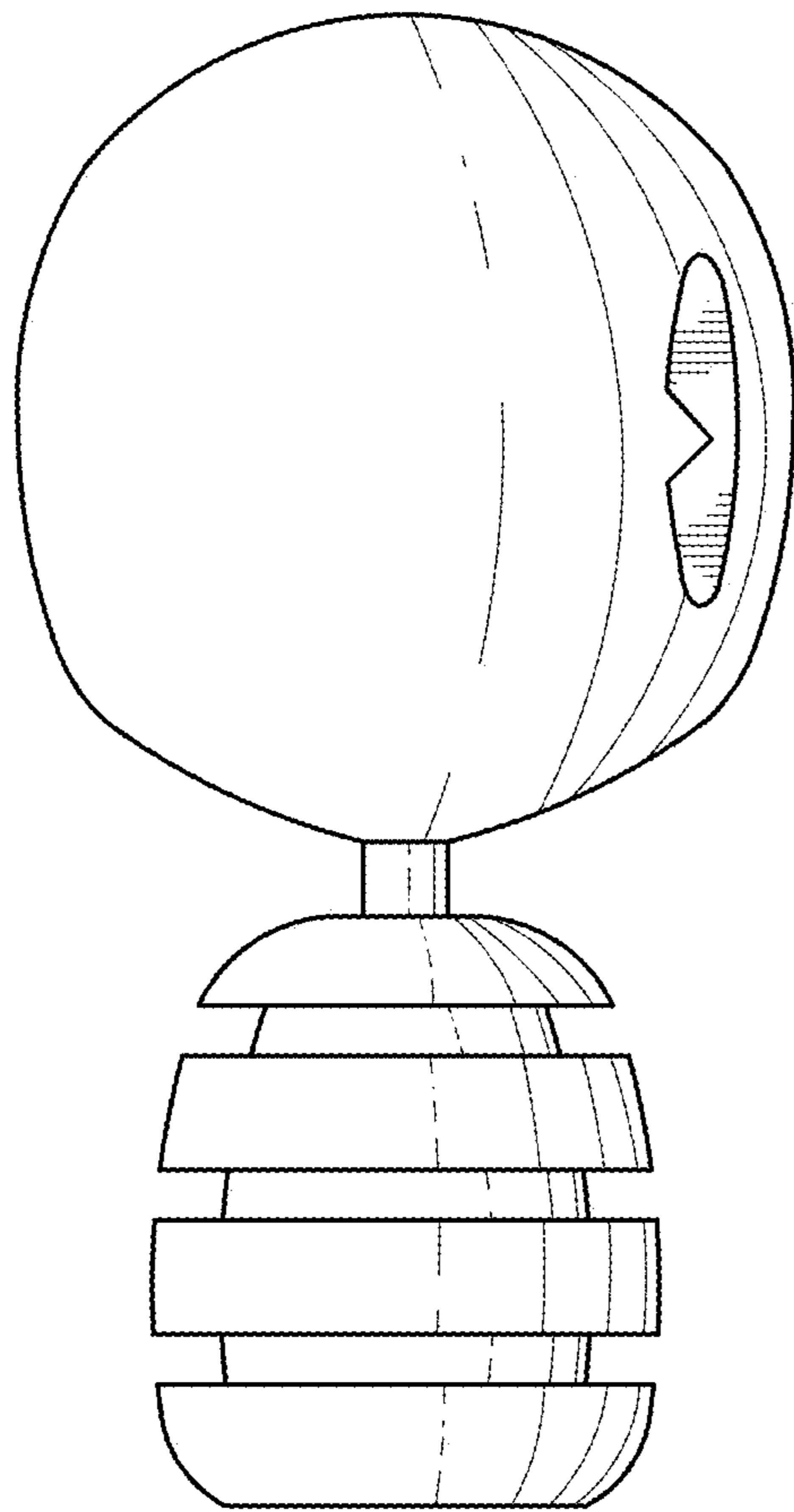


FIG. 5

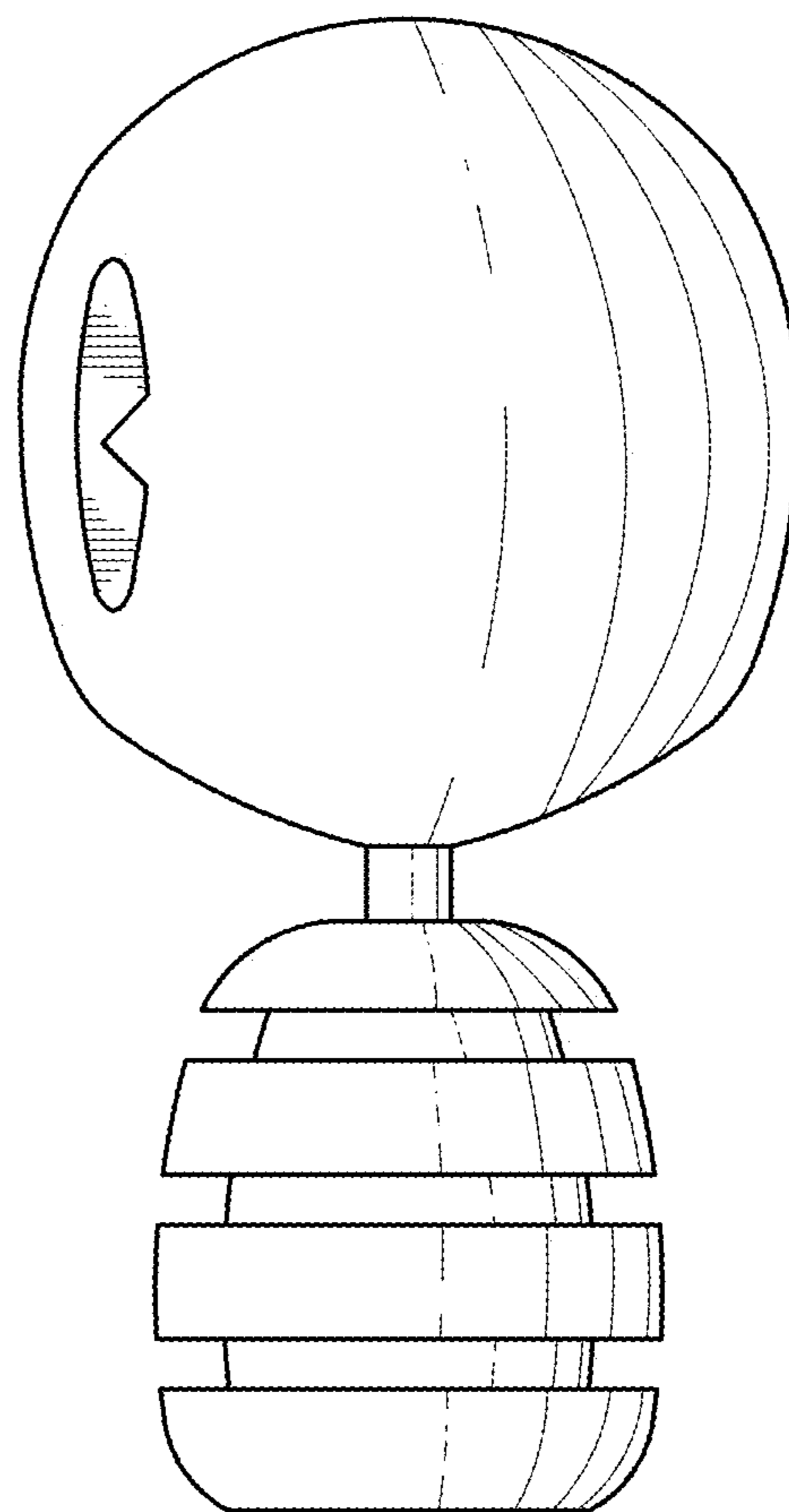


FIG. 6

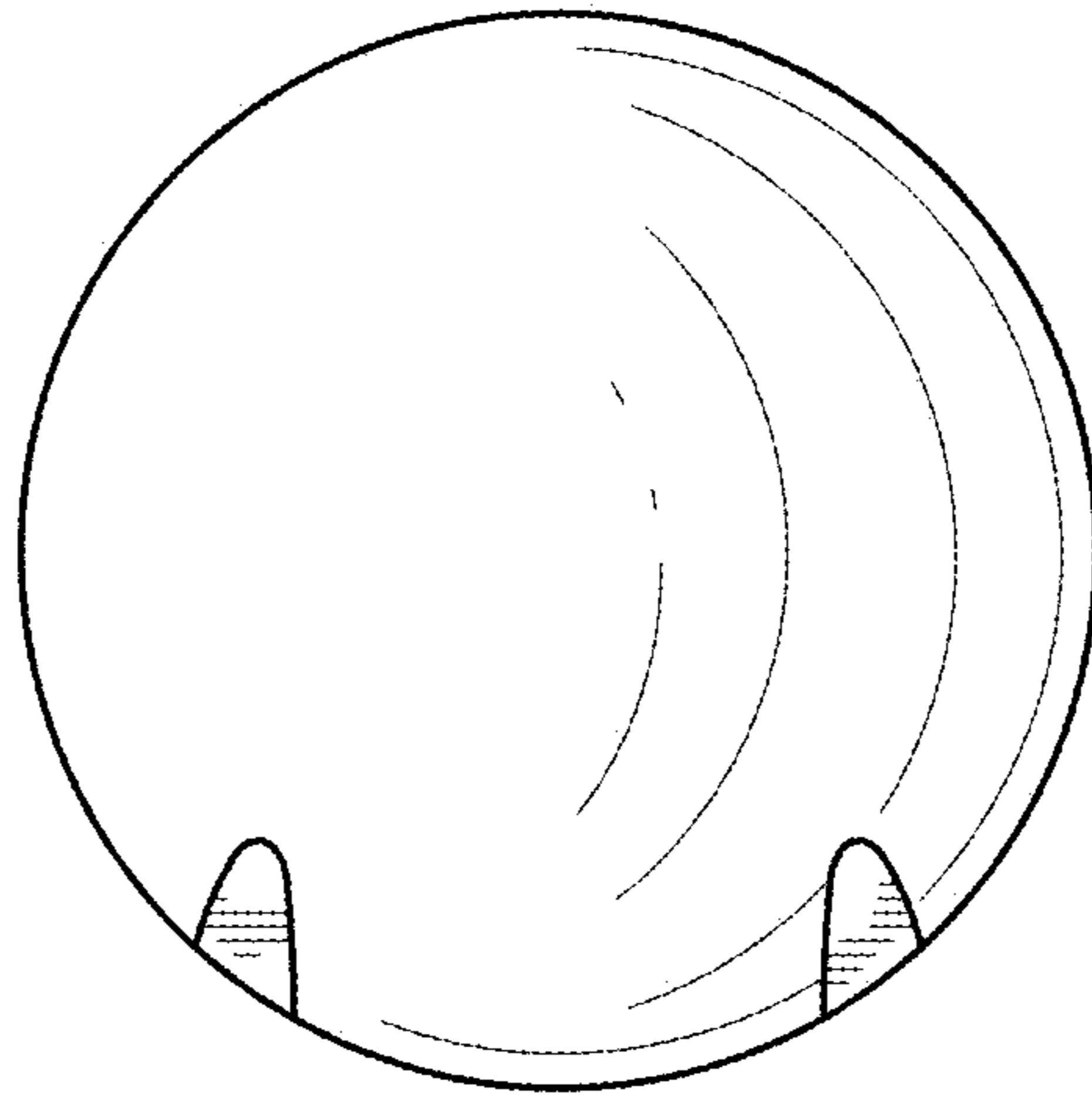


FIG. 7

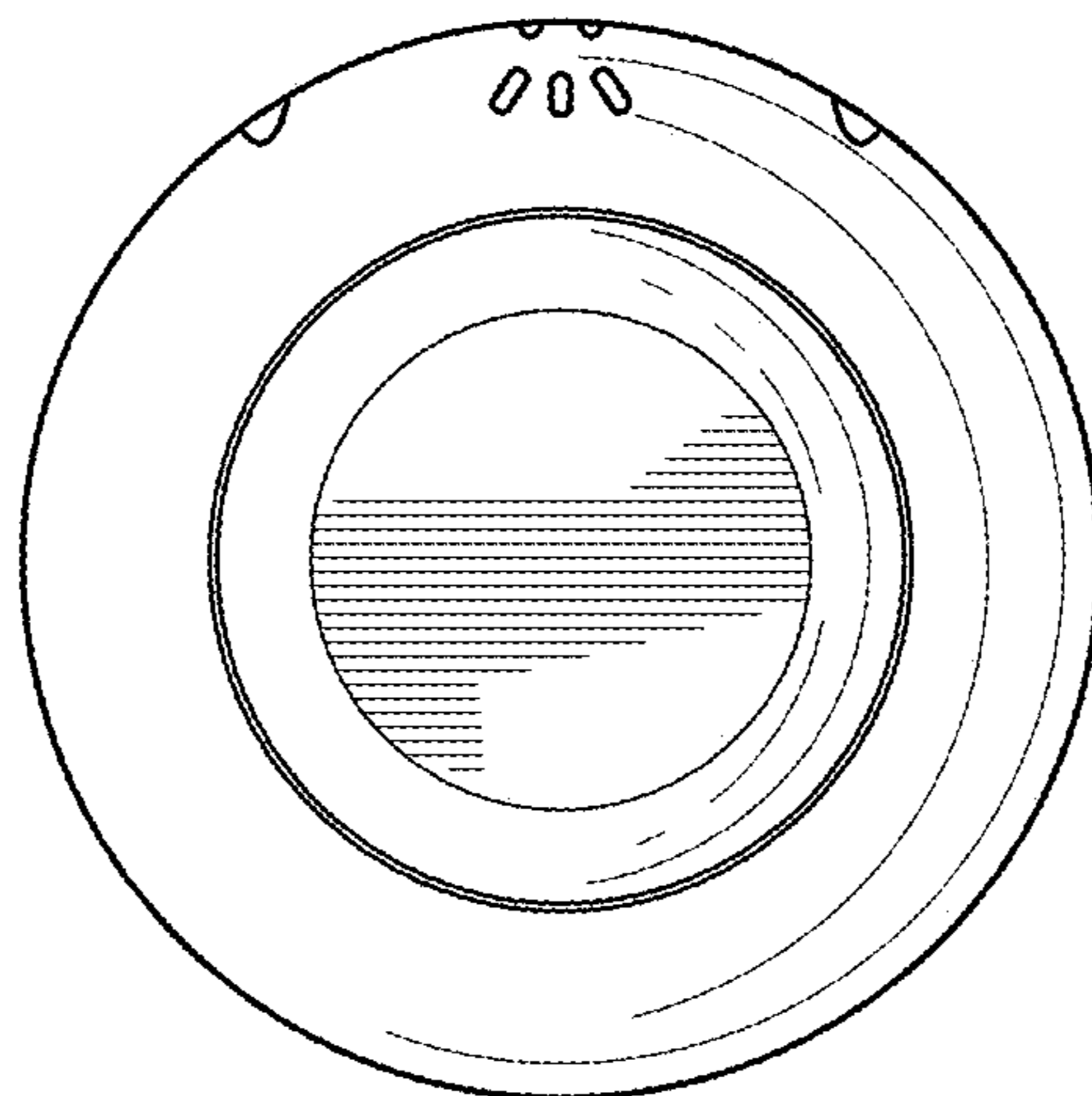


FIG. 8