



US00D873928S

(12) **United States Design Patent** (10) **Patent No.:** **US D873,928 S**
Su (45) **Date of Patent:** **** Jan. 28, 2020**

(54) **TOY ROBOT** D515,639 S * 2/2006 Robinson D21/578
D561,848 S * 2/2008 Robinson D21/578
(71) Applicant: **MATATALAB CO., LTD.**, Shenzhen D688,329 S * 8/2013 Vinh Hoang D15/199
(CN) D764,604 S * 8/2016 Company D21/578
D857,117 S * 8/2019 Venancio D21/533

(72) Inventor: **Rongxing Su**, Shenzhen (CN) * cited by examiner

(73) Assignee: **MATATALAB CO., LTD.**, Shenzhen *Primary Examiner* — Zenia I Bennett
(CN)

(**) Term: **15 Years**

(21) Appl. No.: **29/658,600**

(22) Filed: **Aug. 1, 2018**

(51) **LOC (12) Cl.** **21-01**

(52) **U.S. Cl.**
USPC **D21/578**

(58) **Field of Classification Search**
USPC D21/578–583, 587, 621, 622; D15/199
CPC B25J 5/00; B25J 5/007; B25J 9/00; B25J
11/008

See application file for complete search history.

(56) **References Cited**

U.S. PATENT DOCUMENTS

D505,984 S * 6/2005 Robinson D21/578
D510,964 S * 10/2005 Robinson D21/578

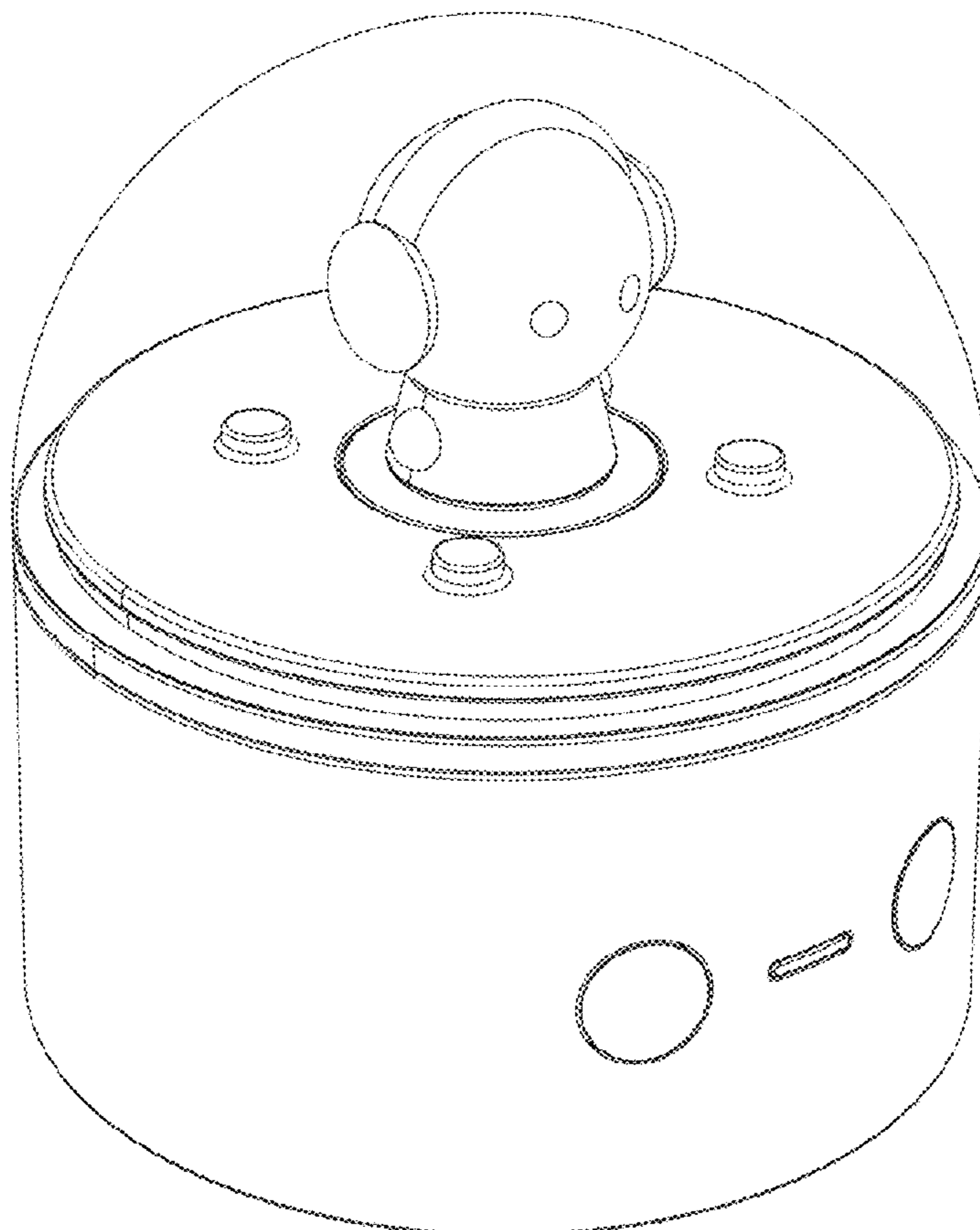
(57) **CLAIM**

The ornamental design for a toy robot, as shown and described.

DESCRIPTION

FIG. 1 is a perspective view of a toy robot, showing our new design;
FIG. 2 is a front view of the toy robot;
FIG. 3 is a rear view of the toy robot;
FIG. 4 is a left side view of the toy robot;
FIG. 5 is a right side view of the toy robot;
FIG. 6 is a top view of the toy robot; and,
FIG. 7 is a bottom view of the toy robot.

1 Claim, 7 Drawing Sheets



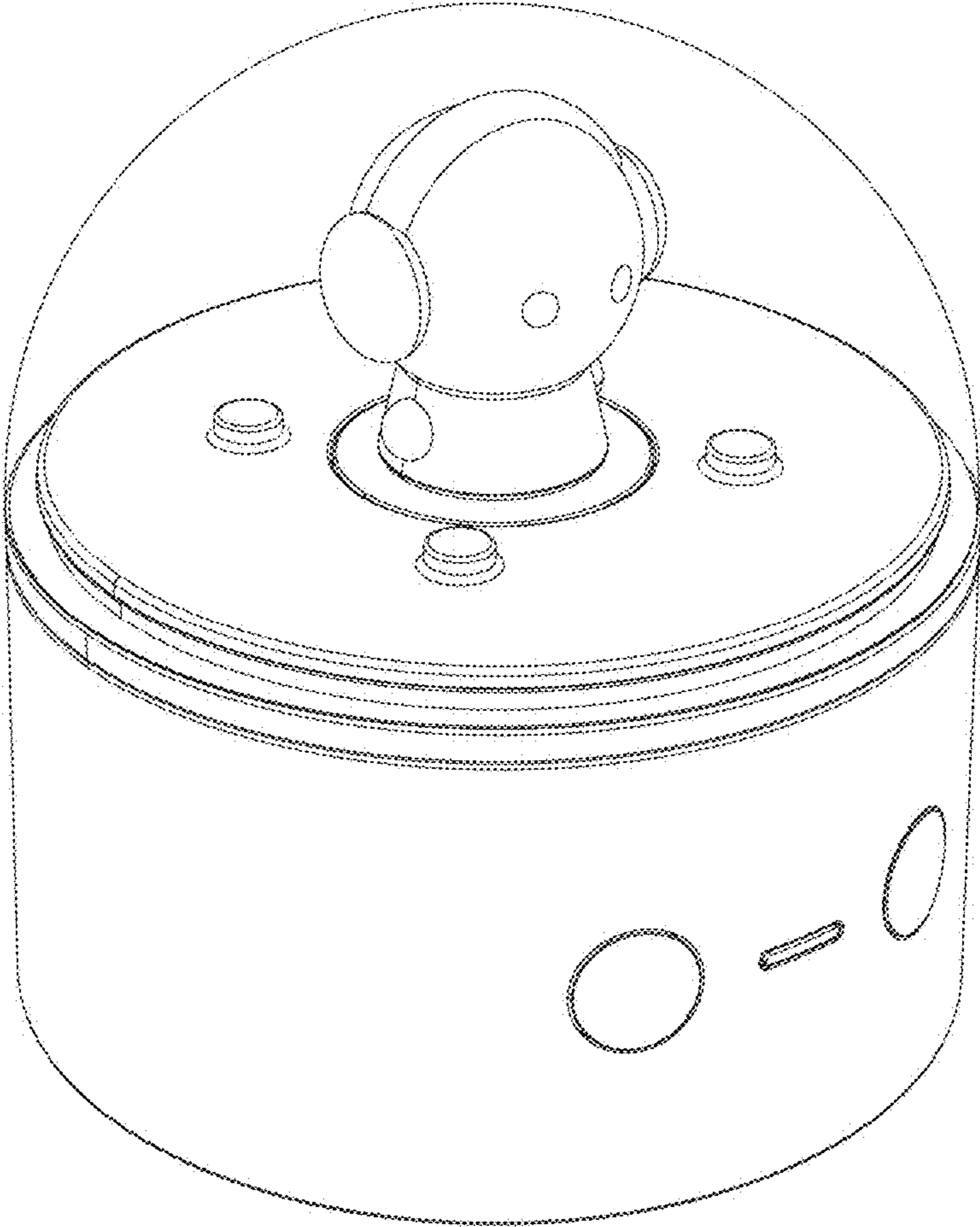


FIG.1

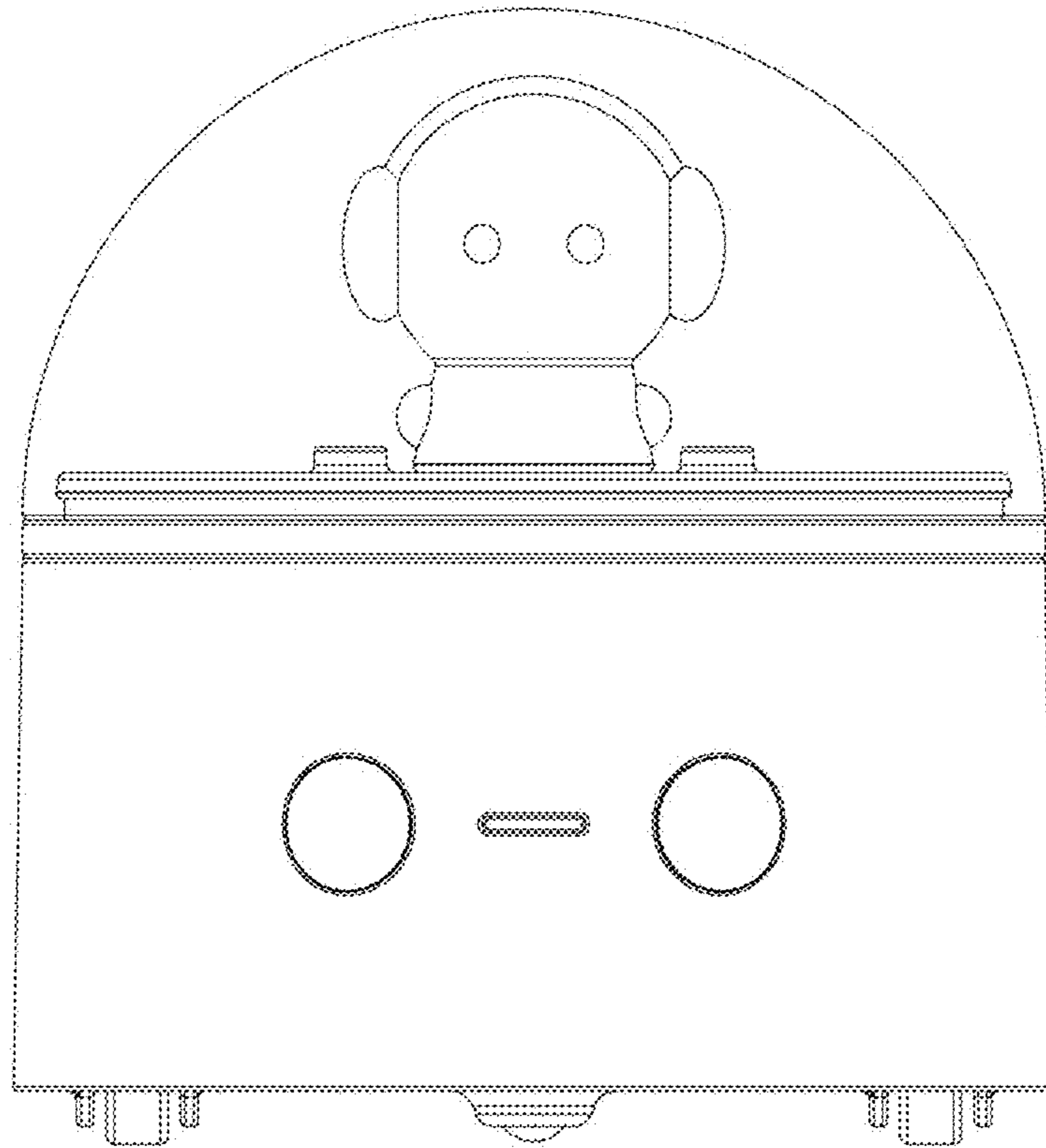


FIG.2

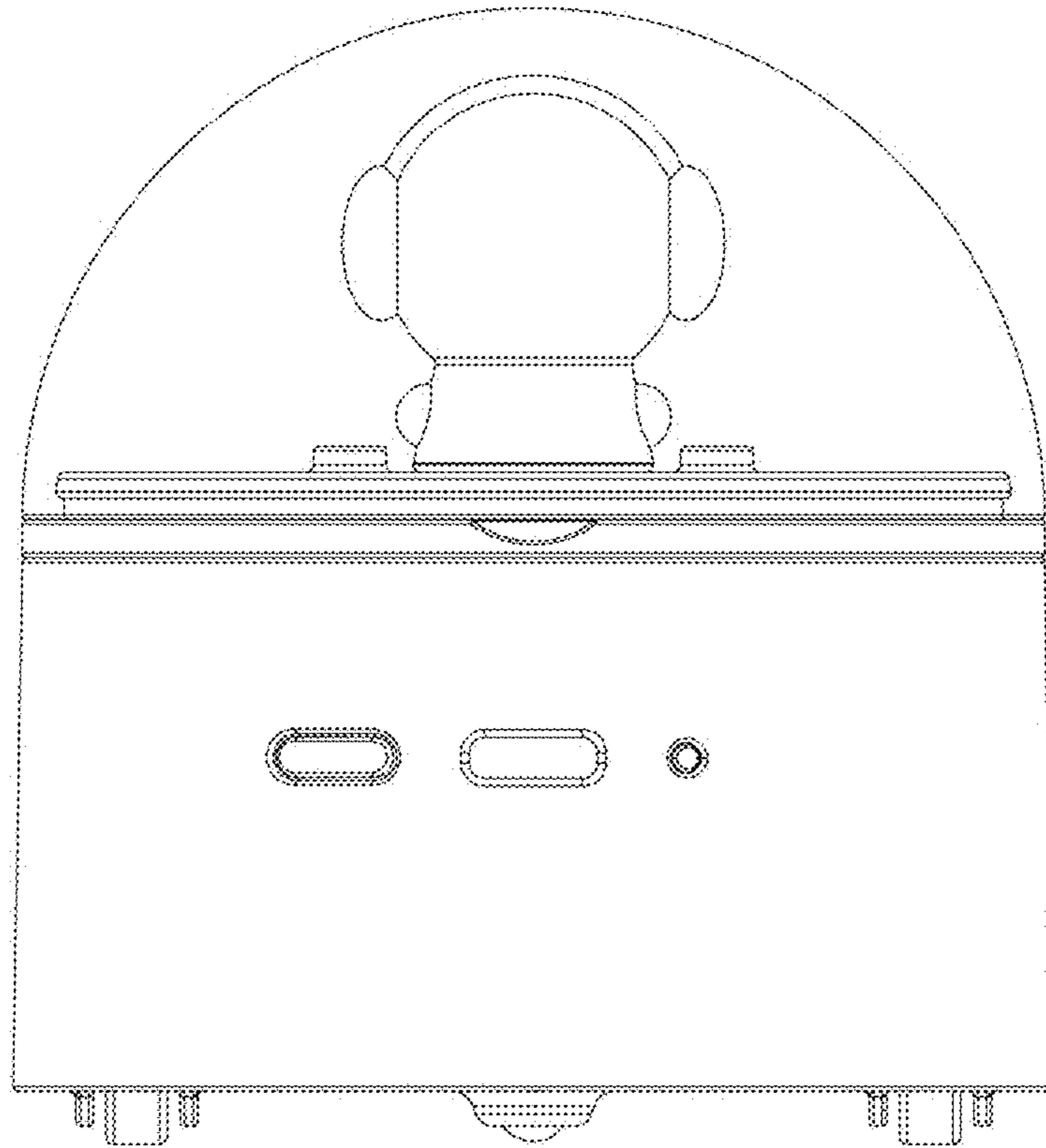


FIG.3

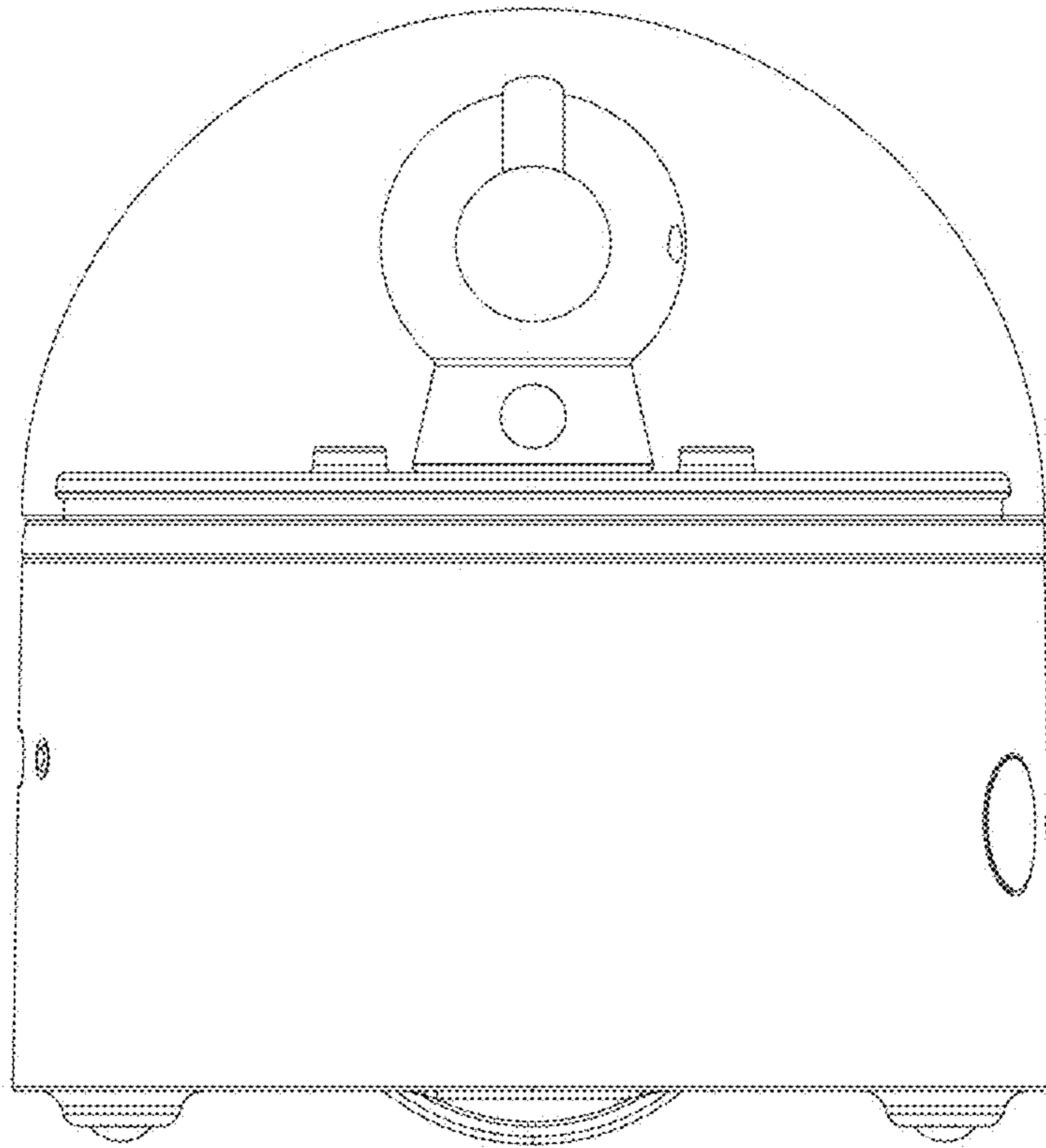


FIG.4

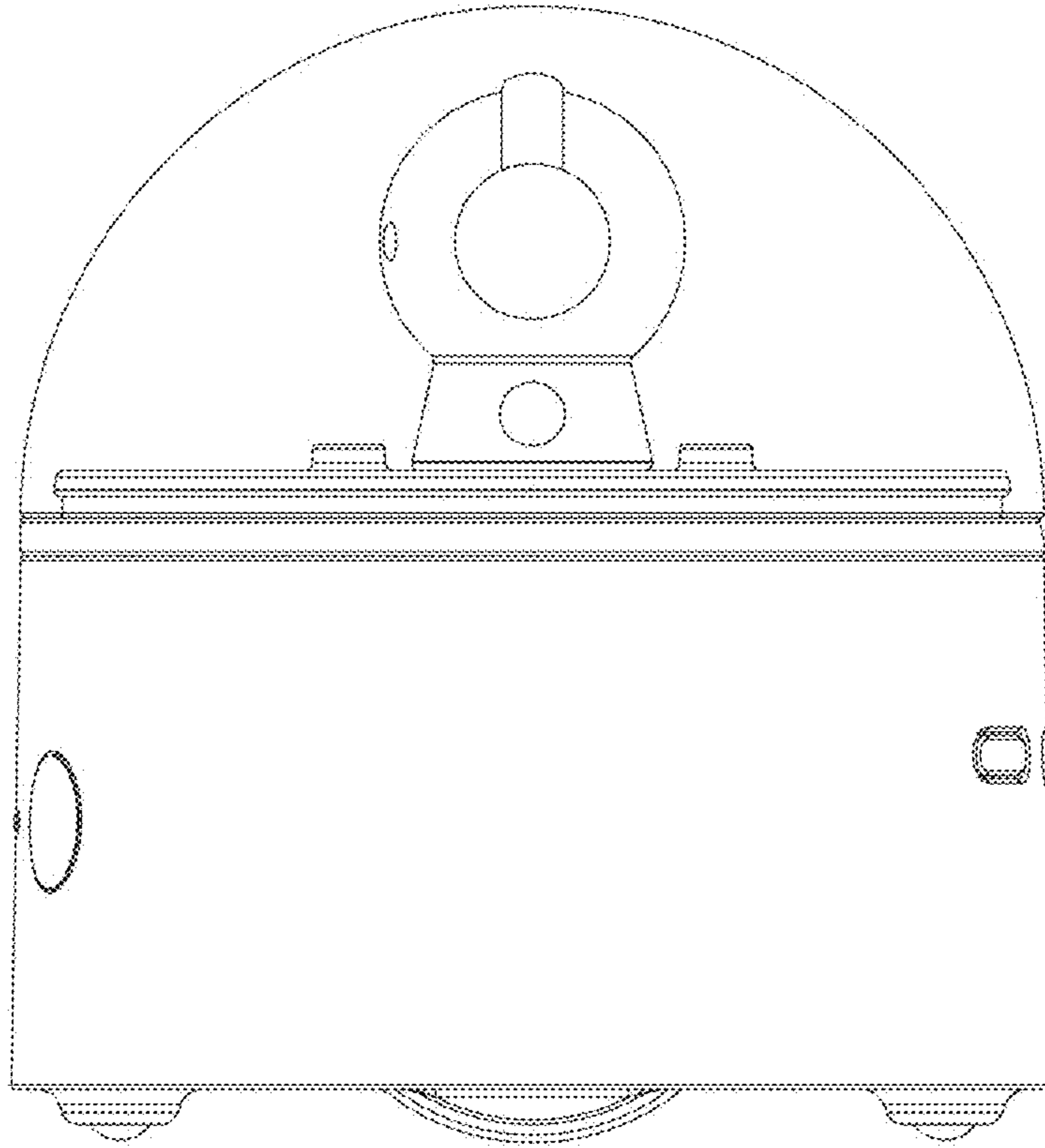


FIG. 5

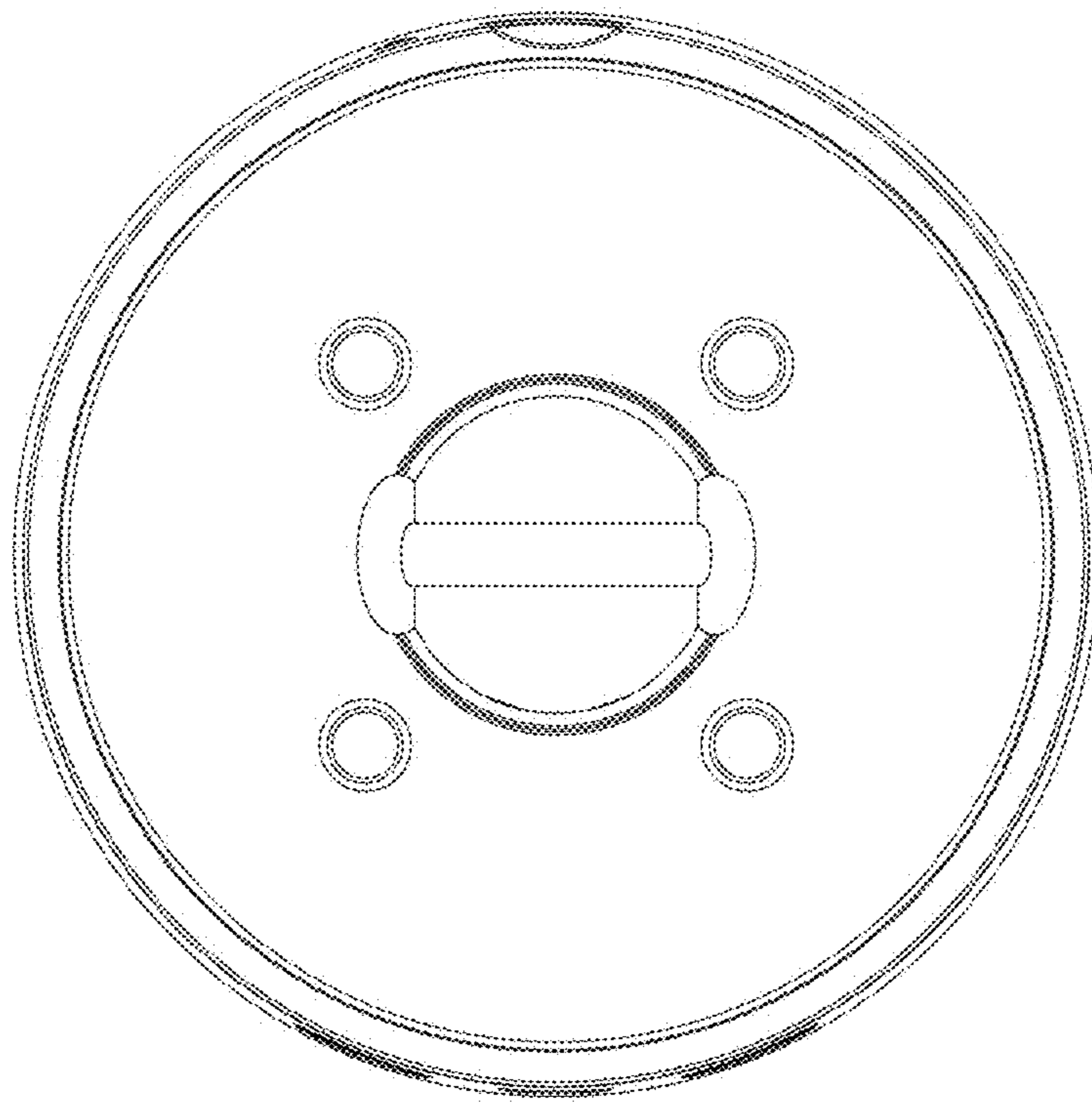


FIG.6

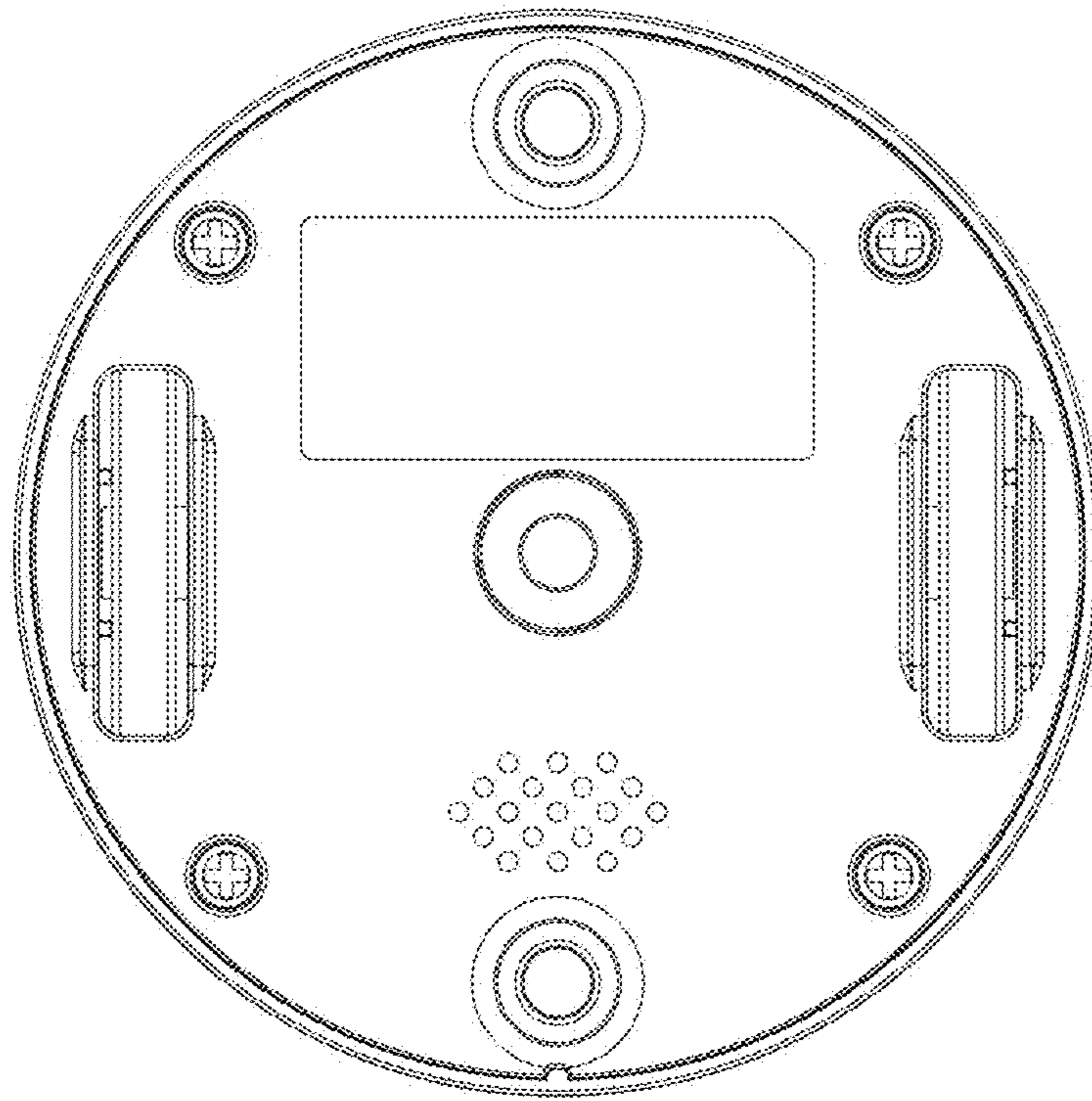


FIG. 7