

US00D873927S

(12) **United States Design Patent** (10) **Patent No.:** **US D873,927 S**
Bloch et al. (45) **Date of Patent:** **** Jan. 28, 2020**

(54) **DUMP TRUCK TOY**

(71) Applicant: **RED TOOLBOX LTD.,** Kochav Yair (IL)

(72) Inventors: **Shaul Bloch,** Har-Adar (IL); **Liran Bloch,** Har-Adar (IL)

(73) Assignee: **RED TOOLBOX LTD,** Kochav Yair (IL)

(**) Term: **15 Years**

(21) Appl. No.: **29/663,923**

(22) Filed: **Sep. 20, 2018**

(51) **LOC (12) Cl.** **21-01**

(52) **U.S. Cl.**
 USPC **D21/522;** D21/424

(58) **Field of Classification Search**
 USPC D12/86, 88, 90–92, 164, 173, 184–186, D12/190, 196; D21/419, 421, 423–426, D21/433–434, 537, 548, 549, 550, 552, D21/559, 561
 CPC A63H 17/26; A63H 17/262; A63H 17/264; A63H 17/266; A63H 17/36; A63H 17/38; A63H 29/00; A63H 29/22; A63H 29/24; A63H 30/04

See application file for complete search history.

(56) **References Cited**

U.S. PATENT DOCUMENTS

D258,972 S *	4/1981	Samuels	D21/554
D259,797 S *	7/1981	Merchant	D21/537
D262,391 S *	12/1981	Kanaoki	D21/450
D263,977 S *	4/1982	Breneman	D21/554
D271,315 S *	11/1983	Nottingham	D21/431
D274,632 S *	7/1984	Terui	D21/559
D281,000 S *	10/1985	Kuna	D21/559
D281,987 S *	12/1985	Catelli	D21/552

D287,522 S *	12/1986	Blumenthal	D21/537
D289,069 S *	3/1987	Ohno	D21/580
D289,309 S *	4/1987	Wilkes	D21/554
D312,488 S *	11/1990	Kwan	D21/551
5,372,534 A *	12/1994	Levy	A63H 17/26 180/209
D362,035 S *	9/1995	Klawitter	D21/554
D421,073 S *	2/2000	Wei	15/25
D425,142 S *	5/2000	Wei	D21/552
D443,318 S *	6/2001	Tse	D21/559
D454,602 S *	3/2002	Tse	D21/552
D721,769 S *	1/2015	Johnson	D21/552
D771,202 S *	11/2016	Gan	D21/552
D771,203 S *	11/2016	Gan	D21/552
D827,038 S *	8/2018	Exley	D21/434
D840,477 S *	2/2019	Flores	D21/548
D852,900 S *	7/2019	Zhou	D21/552
2008/0166946 A1 *	7/2008	Gallagher	A63H 17/06 446/428

(Continued)

Primary Examiner — Manpreet S Matharu
Assistant Examiner — Keith J Wilson
 (74) *Attorney, Agent, or Firm* — Soroker Agmon Nordman

(57) **CLAIM**

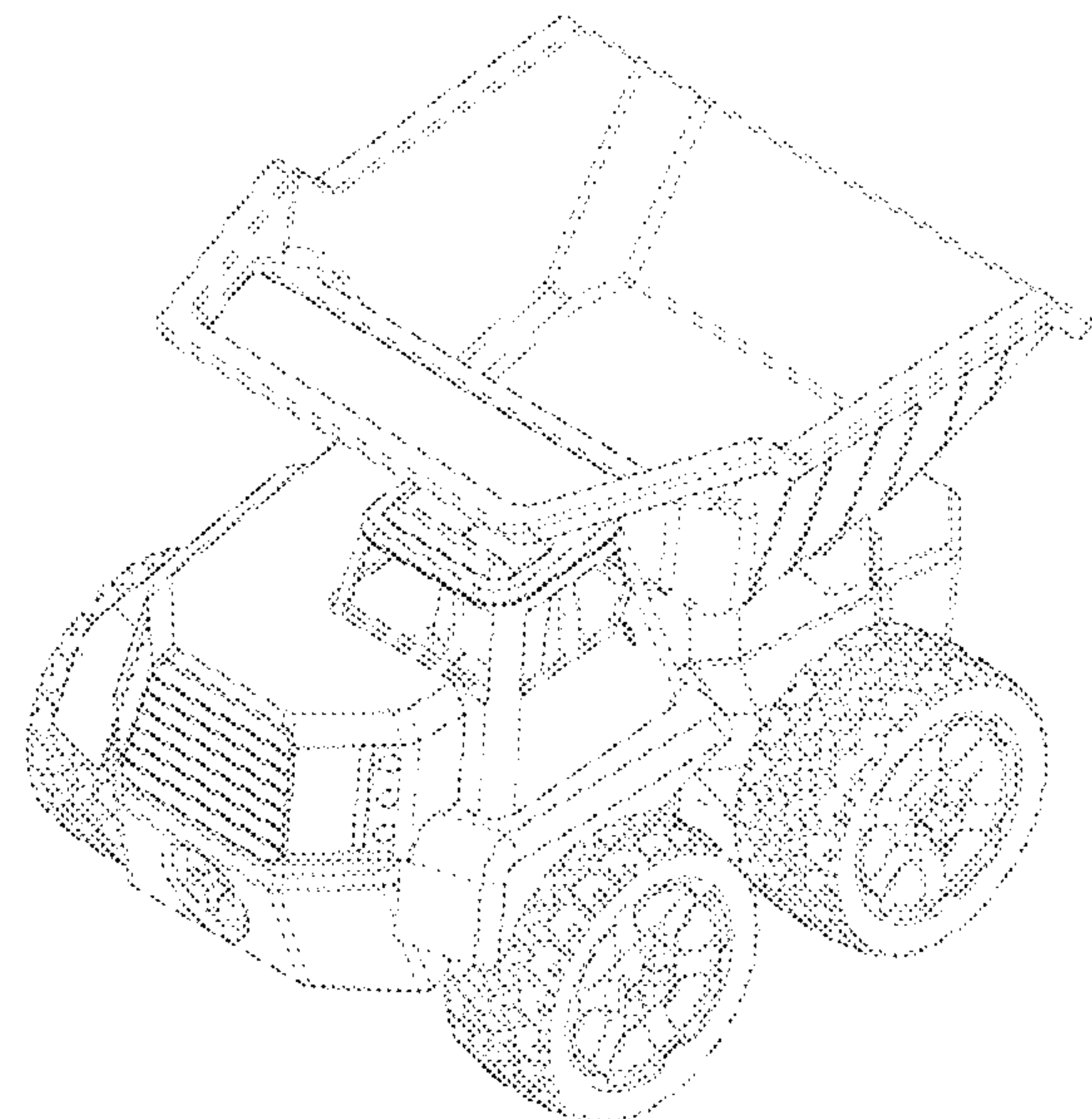
We claim the ornamental design for a dump truck toy, as shown and described.

DESCRIPTION

FIG. 1 is a left side elevational view of a dump truck toy, showing our new design;
 FIG. 2 is a front view thereof;
 FIG. 3 is a left side view thereof;
 FIG. 4 is a rear view thereof;
 FIG. 5 is a right side view thereof;
 FIG. 6 is a bottom view thereof; and,
 FIG. 7 is a top view thereof.

The broken lines depict concentric circles. The broken lines and structure they depict form no part of the claimed design.

1 Claim, 4 Drawing Sheets



(56)

References Cited

U.S. PATENT DOCUMENTS

2008/0303336 A1* 12/2008 Whitfield B60W 10/184
298/17 R
2014/0170932 A1* 6/2014 Lee A63F 17/26
446/409

* cited by examiner

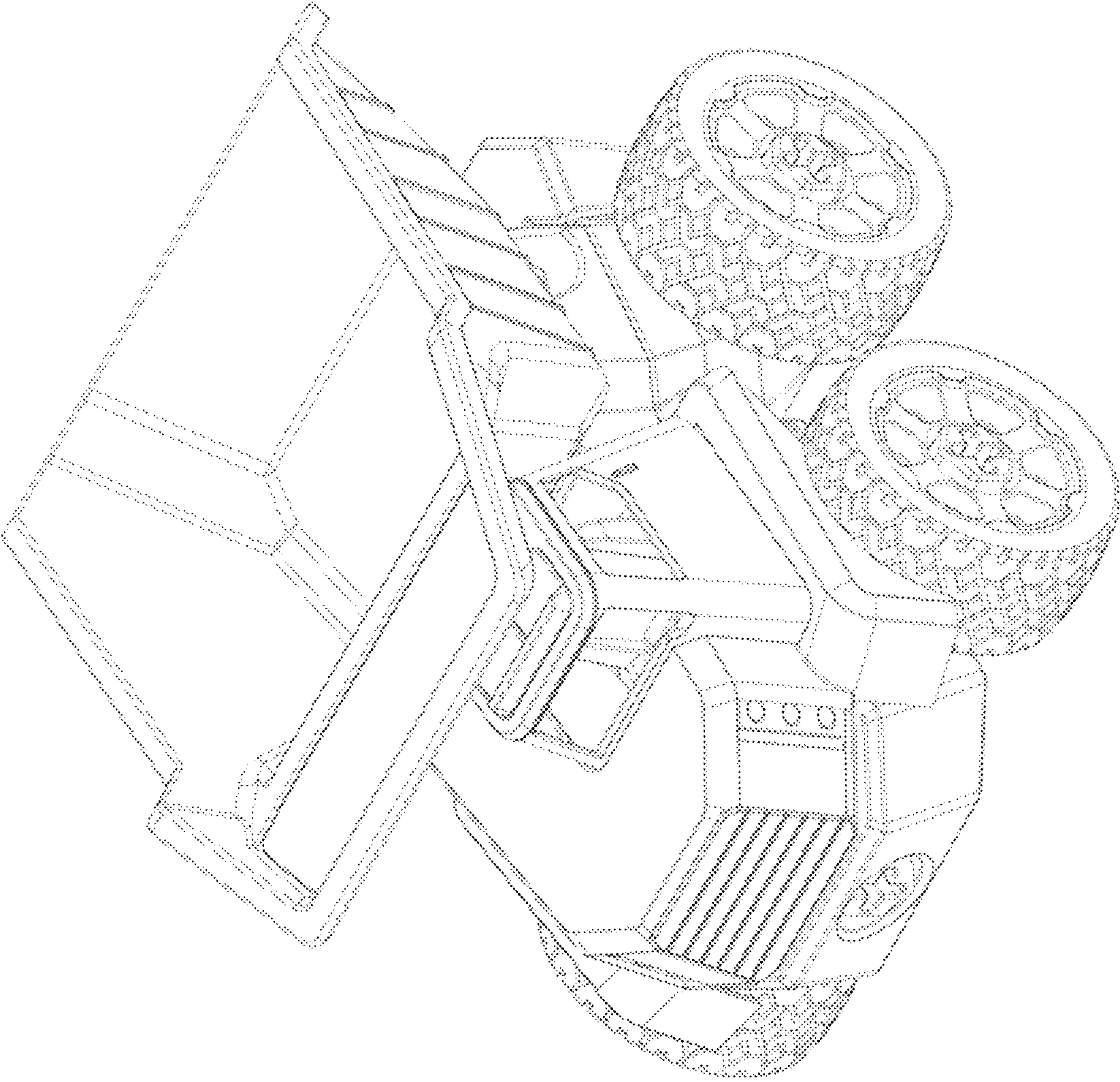


FIG. 1

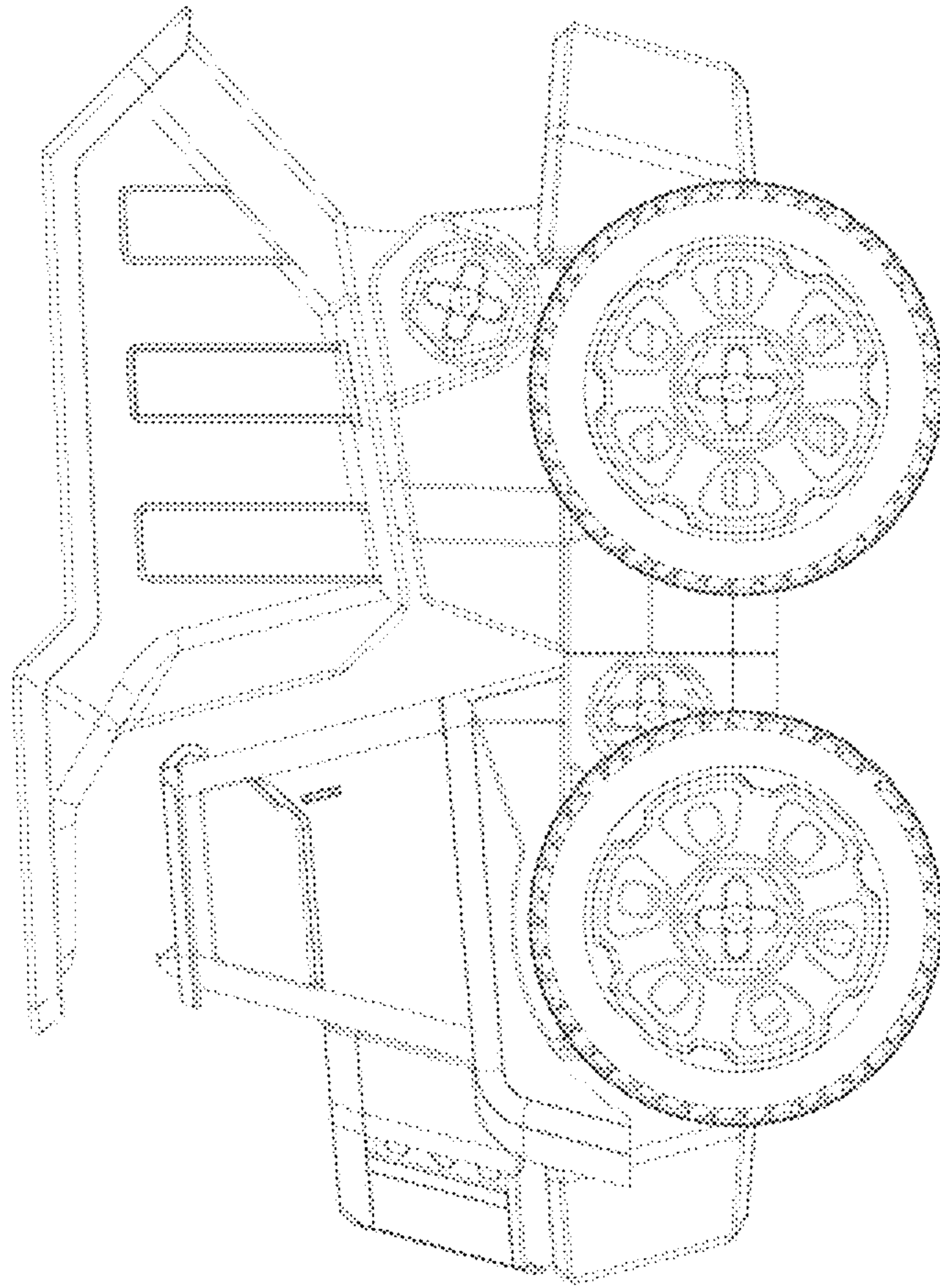


FIG. 3

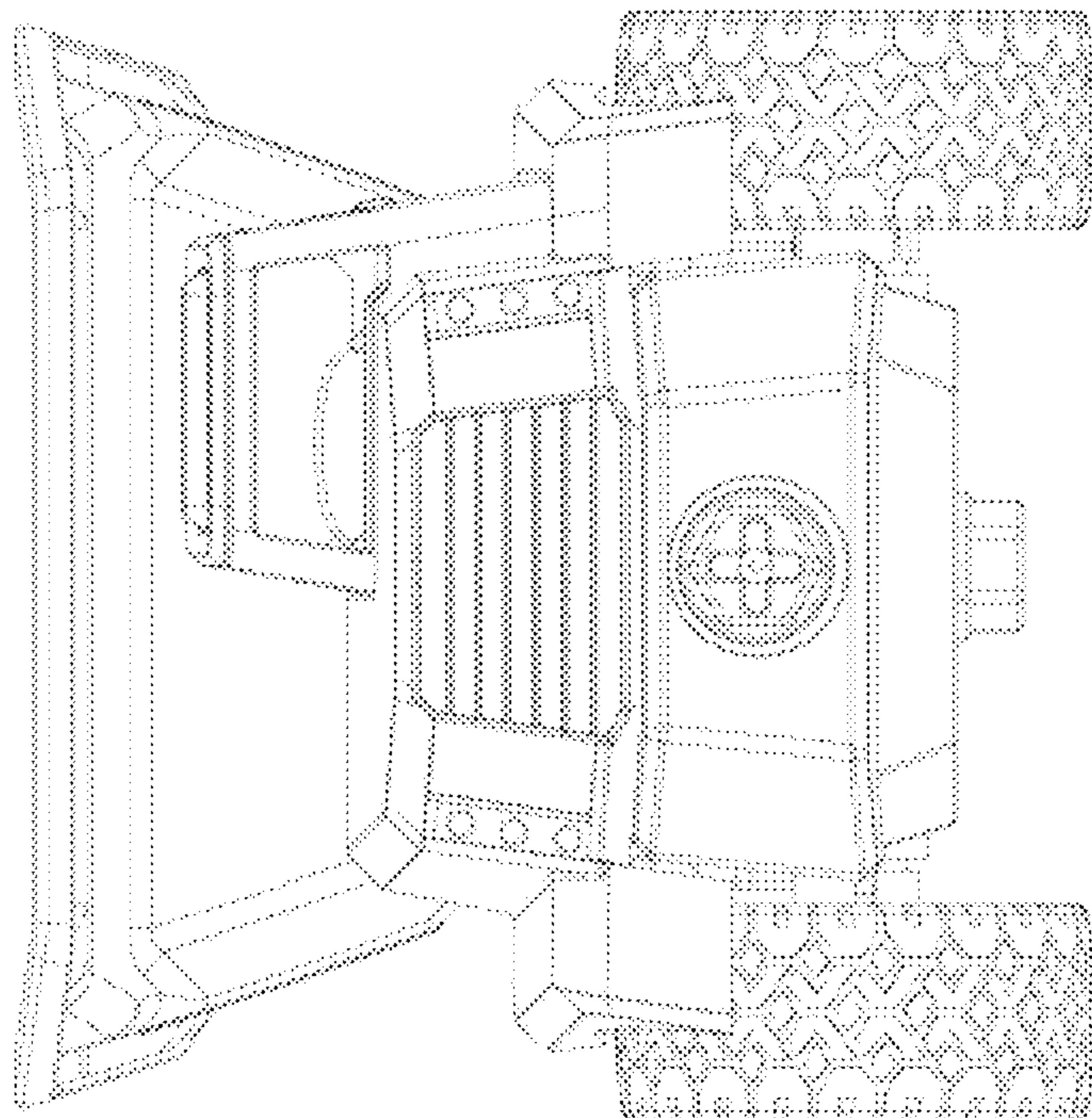


FIG. 2

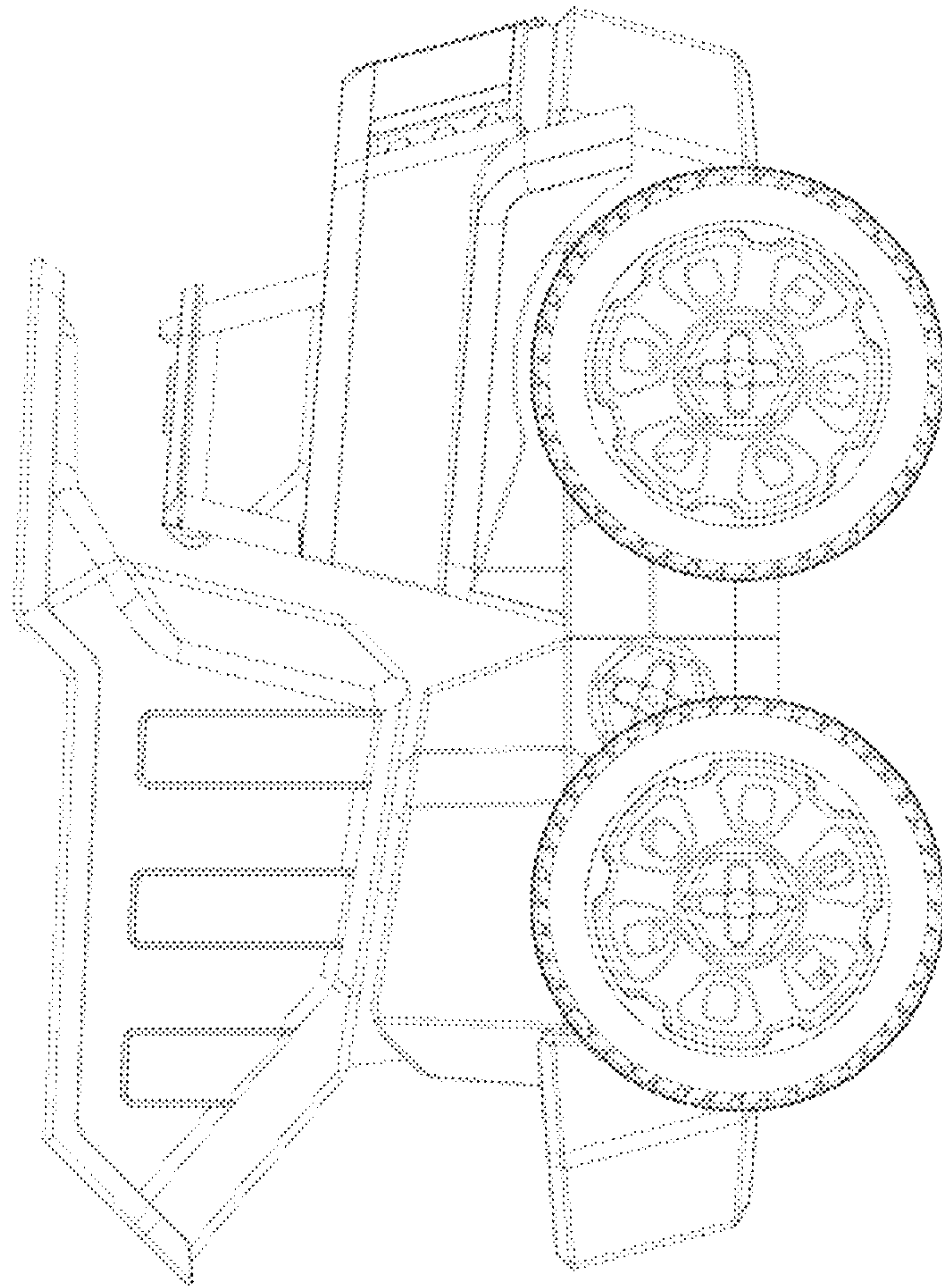


FIG. 5

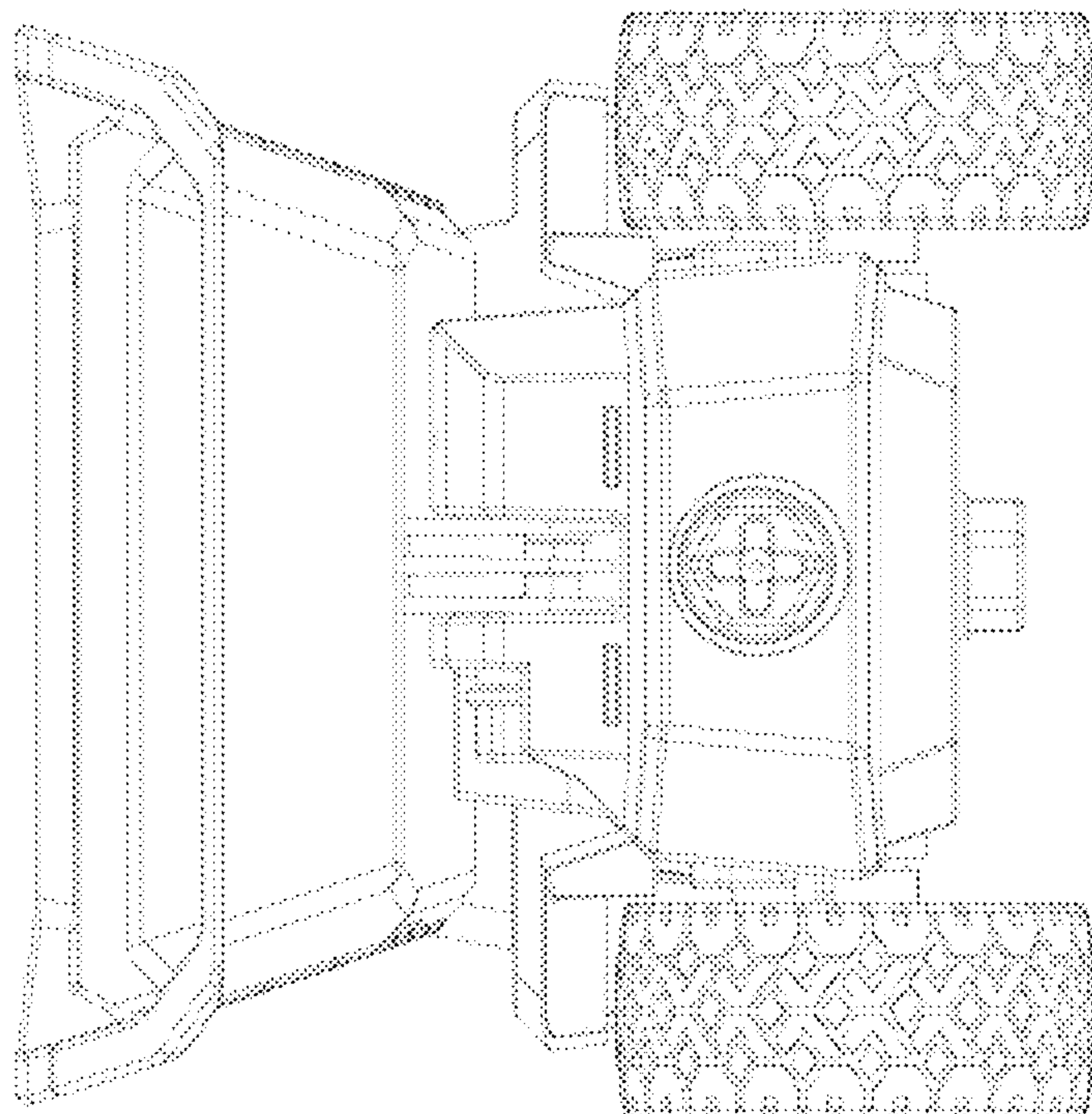


FIG. 4

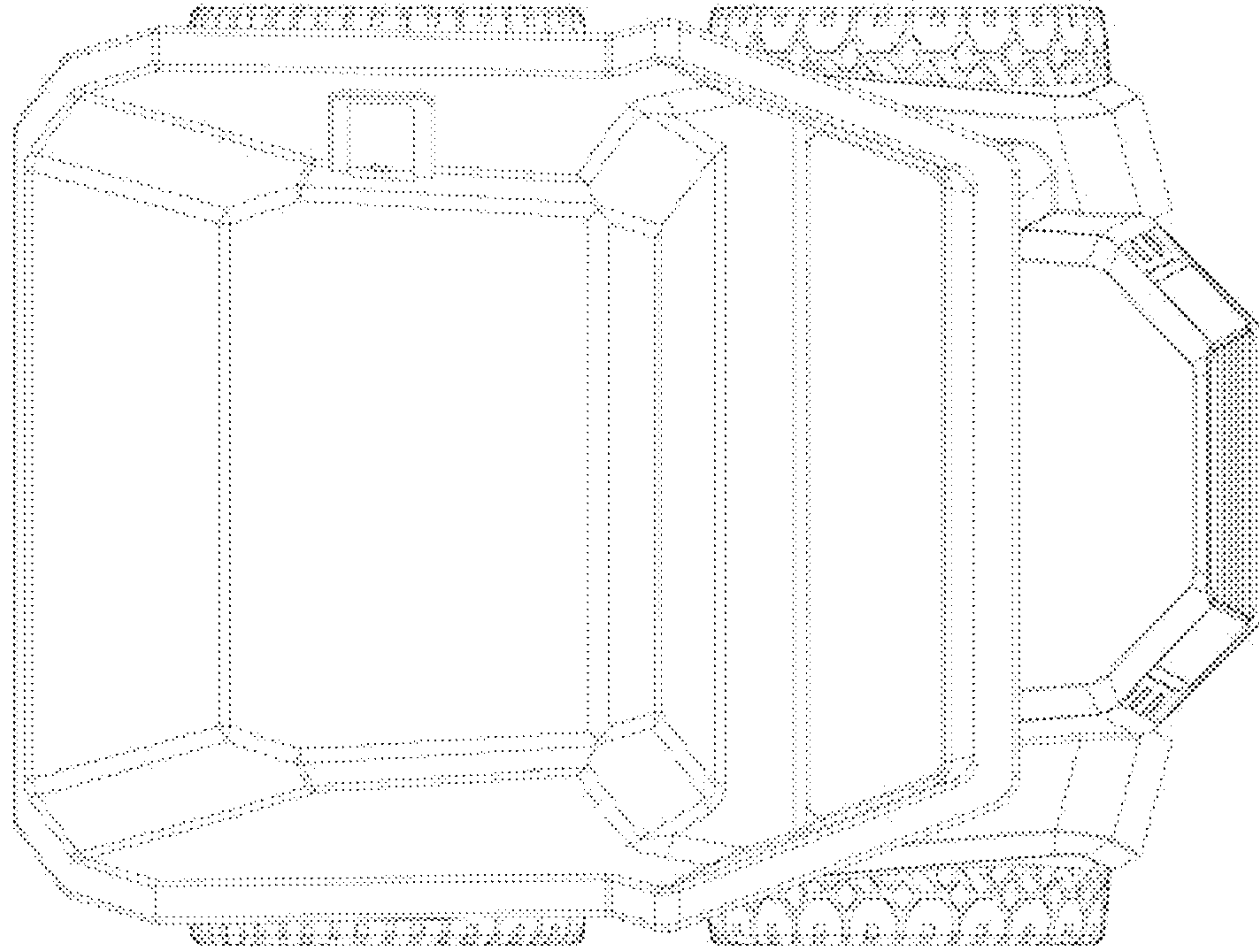


FIG. 7

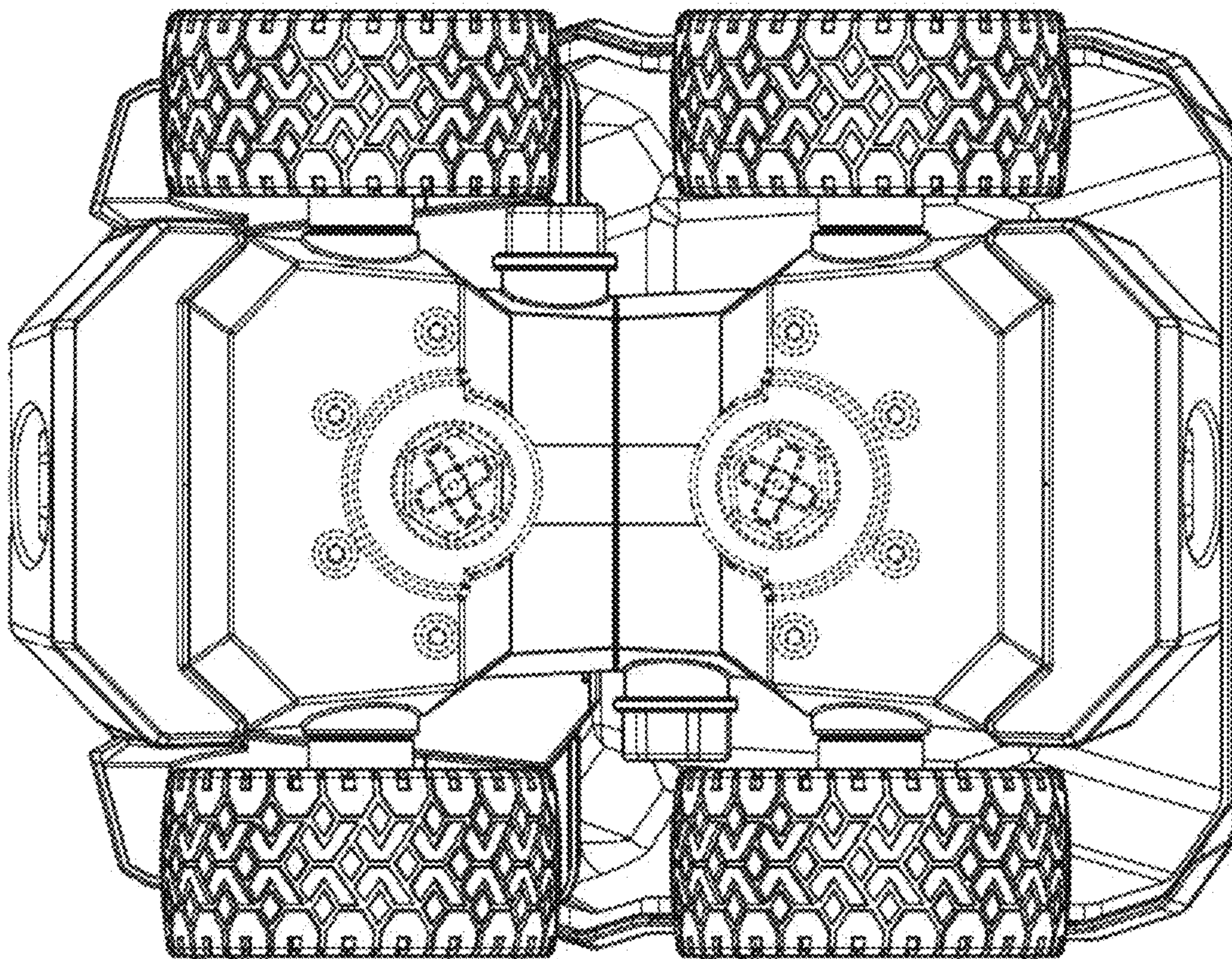


FIG. 6