



US00D873926S

(12) **United States Design Patent** (10) **Patent No.:** **US D873,926 S**  
**Ross** (45) **Date of Patent:** **\*\* Jan. 28, 2020**

(54) **CONNECTOR**

(71) Applicant: **JAKOBI INTERNATIONAL LIMITED**, Auckland (NZ)

(72) Inventor: **Janine Ross**, Auckland (NZ)

(73) Assignee: **JAKOBI INTERNATIONAL LIMITED**, Auckland (NZ)

(\*\*) Term: **15 Years**

(21) Appl. No.: **29/608,061**

(22) Filed: **Jun. 19, 2017**

(30) **Foreign Application Priority Data**

Dec. 19, 2016 (NZ) ..... 422498

(51) **LOC (12) Cl.** ..... **21-01**

(52) **U.S. Cl.**  
USPC ..... **D21/475**

(58) **Field of Classification Search**

USPC ..... D21/333, 385, 455, 468, 475, 487, 488,  
D21/491, 501, 505; 403/24, 170;  
446/268-274, 276-280, 285, 289-292,  
446/376-303

CPC .... A63H 33/101; A63H 33/10; A63H 33/062;  
A63H 33/08; A63H 33/107; F16B 7/04

See application file for complete search history.

(56) **References Cited**

**U.S. PATENT DOCUMENTS**

D304,471 S \* 11/1989 Bertrand ..... D21/561  
D305,041 S \* 12/1989 Erickson ..... D21/503

D387,399 S \* 12/1997 Schmidt ..... D21/487  
5,700,102 A \* 12/1997 Feleppa ..... A47B 47/0016  
403/170  
D409,678 S \* 5/1999 Toft ..... D21/487  
D516,635 S \* 3/2006 Kim ..... D21/501  
9,409,099 B2 \* 8/2016 Sokolov ..... A63H 33/08  
D777,846 S \* 1/2017 Greaves ..... D21/484  
D820,359 S \* 6/2018 Deemer ..... D21/484

\* cited by examiner

*Primary Examiner* — Cynthia Ramirez

*Assistant Examiner* — Michael A Maharajh

(74) *Attorney, Agent, or Firm* — Studebaker & Brackett  
PC

(57) **CLAIM**

The ornamental design for a connector, as shown and described.

**DESCRIPTION**

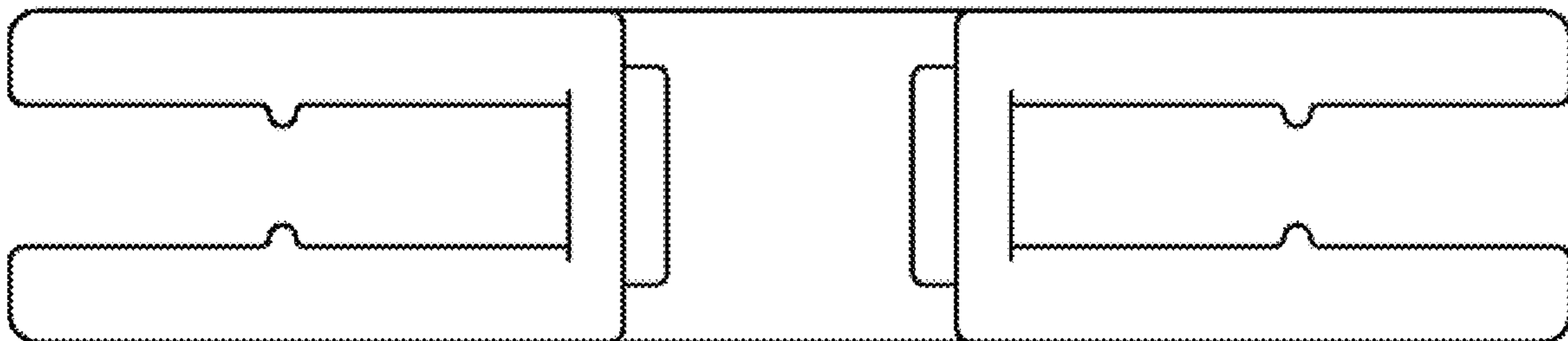
FIG. 1 is a bottom view showing my new design for a connector,

FIG. 2 is a perspective view thereof,

FIG. 3 is a front view thereof, the rear being a mirror image thereof; and,

FIG. 4 is a side view thereof, the opposite side being a mirror image thereof.

**1 Claim, 1 Drawing Sheet**



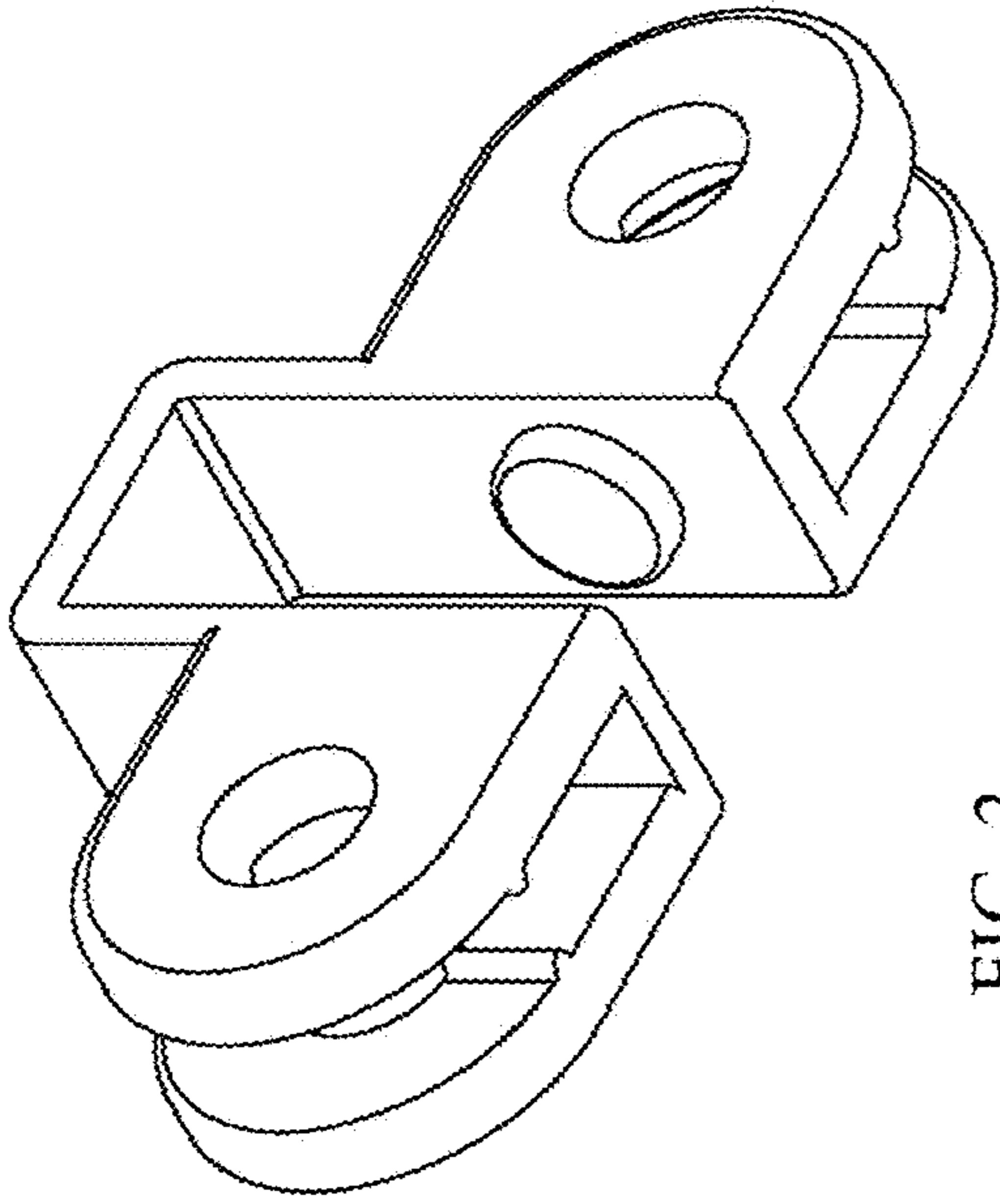


FIG. 1

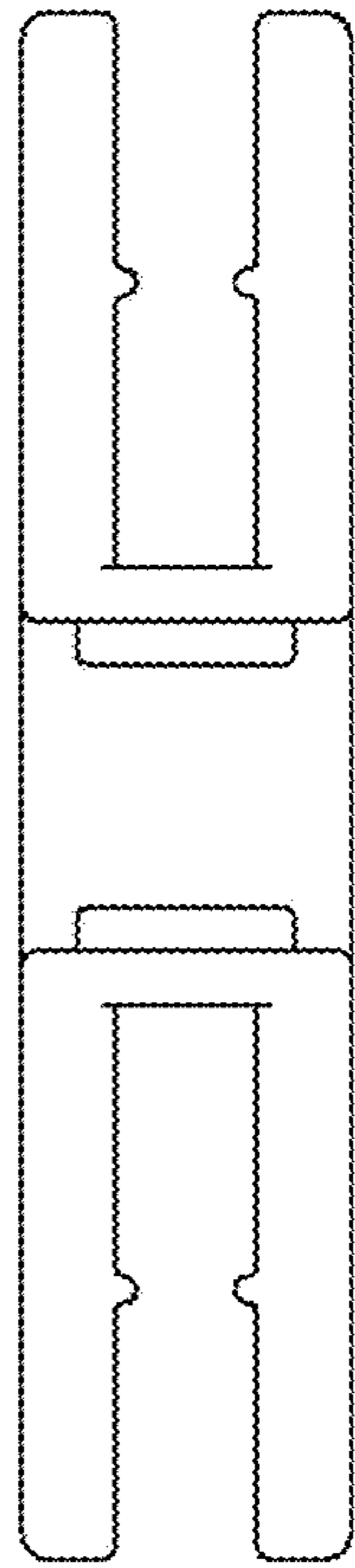


FIG. 2

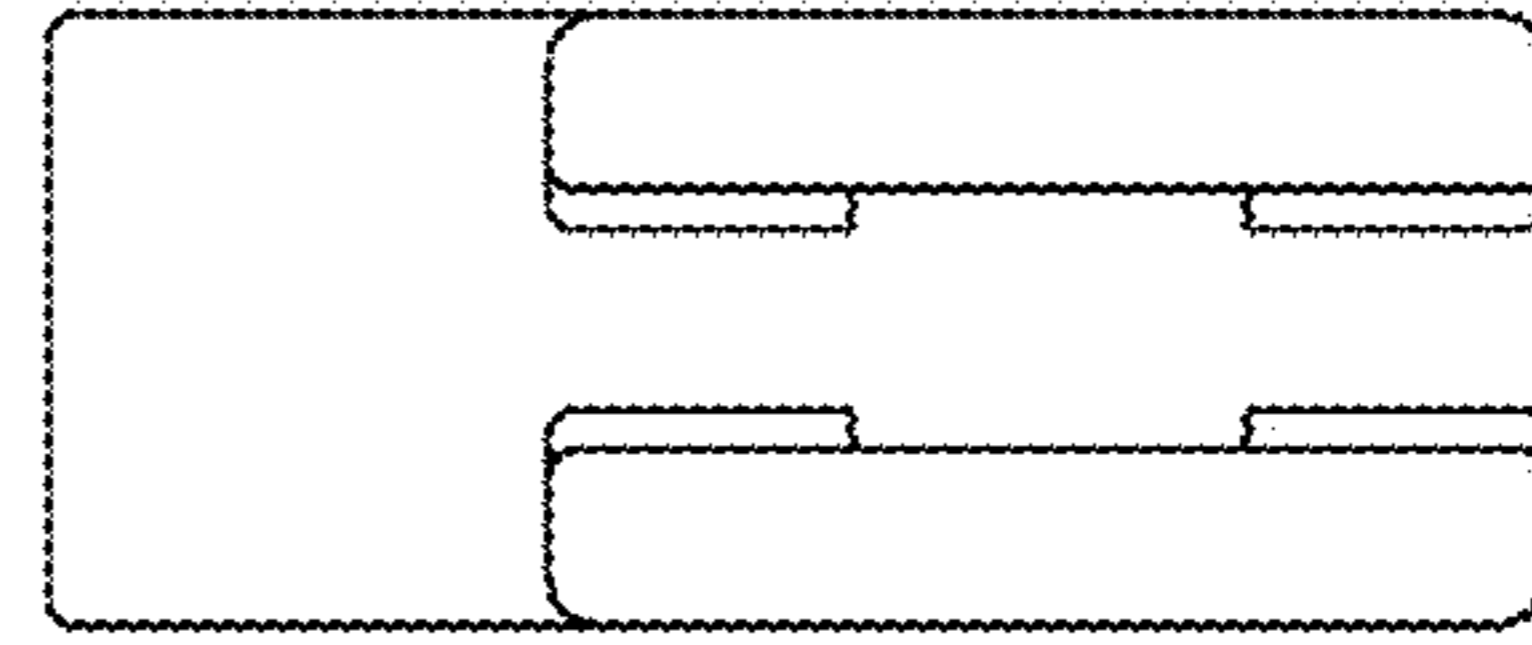


FIG. 3

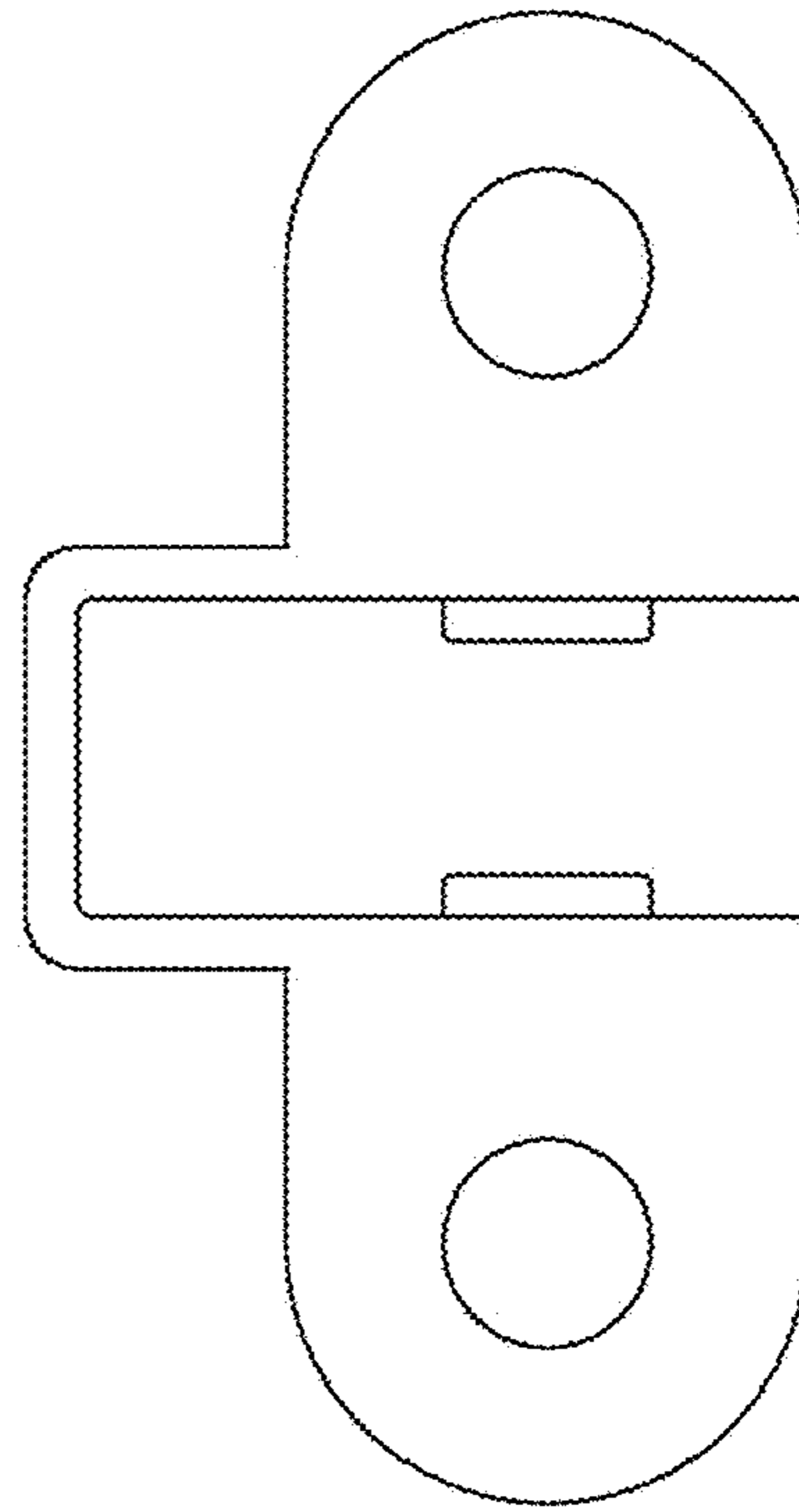


FIG. 4