



US00D873924S

(12) **United States Design Patent**
Cope

(10) **Patent No.:** **US D873,924 S**
(45) **Date of Patent:** **** Jan. 28, 2020**

- (54) **FLYING SPINNING TOY**
- (71) Applicant: **Mike Cope**, Blackhawk, CO (US)
- (72) Inventor: **Mike Cope**, Blackhawk, CO (US)
- (73) Assignee: **Mike Cope**, Black Hawk, CO (US)
- (**) Term: **15 Years**
- (21) Appl. No.: **29/658,308**
- (22) Filed: **Jul. 30, 2018**
- (51) **LOC (12) Cl.** **21-01**
- (52) **U.S. Cl.**
USPC **D21/443**; D21/455
- (58) **Field of Classification Search**
USPC D12/319–345, 1–4, 16.1, 214;
D21/436–454, 455, 374; D30/160;
D23/370
CPC B64C 29/0025; B64C 2201/108; B64C
2201/048; B64C 2201/088; B64C 29/00;
B64C 29/0058; B64C 39/001; B64C
39/024; B64C 39/062; B64C 2201/141;
B64C 27/12; A63H 33/18; A63H 23/10
See application file for complete search history.

(56) **References Cited**

U.S. PATENT DOCUMENTS

- D59,709 S * 11/1921 Bruder D21/374
- D171,133 S * 12/1953 Jay D12/325
- 2,718,364 A * 9/1955 Crabtree B64C 39/064
244/12.2
- 2,939,648 A * 6/1960 Fleissner B64C 39/001
244/12.2
- D200,183 S * 1/1965 Ordway D12/325
- D208,334 S * 8/1967 Gerds D21/443
- 3,359,678 A * 12/1967 Headrick A63H 33/18
446/46
- D209,763 S * 1/1968 Mueller 446/48
- D213,529 S * 3/1969 Sherwood D12/325
- D215,971 S * 11/1969 Rosta D12/325

- D218,365 S * 8/1970 Sherwood D12/325
- D219,648 S * 1/1971 Fleissner D12/325
- D220,755 S * 5/1971 Zundel D9/454
- D221,453 S * 8/1971 Swanberg 416/179
- 3,673,731 A * 7/1972 Farhi A63H 33/18
446/46

(Continued)

OTHER PUBLICATIONS

Sandeen by Spin Jammers. earliest review dated May 29, 2009. found online [Apr. 13, 2019] https://www.amazon.com/Sandeen-Spin-Jammer-Styles-Colors/dp/B001G3C5K8/ref=cm_cr_arp_d_product_top?ie=UTF8.*

(Continued)

Primary Examiner — Marissa J Cash

(74) *Attorney, Agent, or Firm* — Holzer Patel Drennan

(57) **CLAIM**

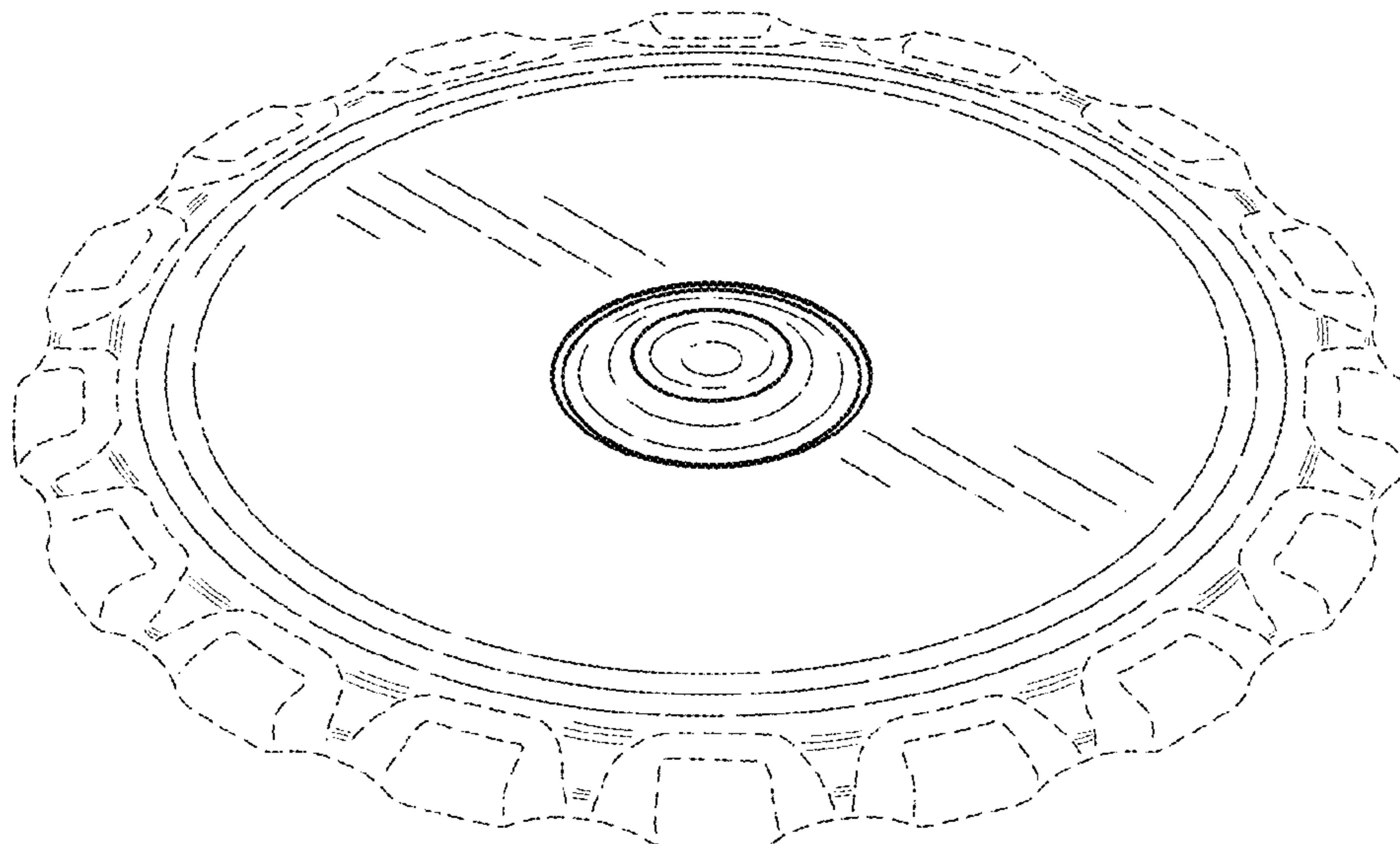
The ornamental design for a flying spinning toy, as shown and described.

DESCRIPTION

FIG. 1 is a top perspective view of a flying spinning toy; FIG. 2 is a bottom perspective view of the flying spinning toy of FIG. 1; FIG. 3 is a top view of the flying spinning toy of FIG. 1; FIG. 4 is a bottom view of the flying spinning toy of FIG. 1; FIG. 5 is a front view of the flying spinning toy of FIG. 1; FIG. 6 is a back view of the flying spinning toy of FIG. 1; FIG. 7 is a right side view of the flying spinning toy of FIG. 1; and, FIG. 8 is a left side view of the flying spinning toy of FIG. 1.

The broken lines shown in the views are included for the purpose of illustrating portions of the flying spinning toy that form no part of the claimed design.

1 Claim, 5 Drawing Sheets



(56)

References Cited

U.S. PATENT DOCUMENTS

3,689,011 A * 9/1972 Torelli B64C 27/20
244/12.2
3,724,122 A * 4/1973 Gillespie, Sr. A63H 33/18
446/46
3,828,466 A * 8/1974 Geiger A63H 33/18
446/48
D235,906 S * 7/1975 Napodano D21/443
3,948,523 A * 4/1976 Michael A63H 27/12
473/588
4,086,723 A * 5/1978 Strawick A63H 27/12
273/DIG. 24
4,152,863 A * 5/1979 Kubiawicz A63H 37/005
446/486
4,212,131 A * 7/1980 Ross, Jr. A63H 33/18
446/46
4,254,575 A * 3/1981 Gould A63H 33/18
446/219
4,255,893 A * 3/1981 Anderson A63H 33/18
446/48
D263,429 S * 3/1982 Larrieu D21/390
D268,039 S * 2/1983 Osborne D21/443
4,516,946 A * 5/1985 Rodarte A63H 33/18
446/46
4,516,947 A * 5/1985 Pircher A63H 33/18
446/46
D279,803 S * 7/1985 Manning D21/443
4,669,995 A * 6/1987 Lombard A63H 33/18
446/48
4,681,553 A * 7/1987 Rodarte A63H 33/18
446/46
D295,429 S * 4/1988 Sandeen D21/443
4,804,156 A * 2/1989 Harmon B64C 39/001
244/23 C
D306,045 S * 2/1990 Hill D21/444
D312,103 S * 11/1990 Lenox D21/443
5,067,923 A * 11/1991 De Bourbon A63H 33/18
434/258
D331,607 S * 12/1992 Davis D21/372
D331,784 S * 12/1992 Ana D21/444
5,203,521 A * 4/1993 Day B64C 39/064
244/12.2
D336,119 S * 6/1993 Bridge, Jr. D21/443
5,297,799 A * 3/1994 Slater A63B 60/40
473/573
D346,626 S * 5/1994 St. Lawrence D21/443
D347,452 S * 5/1994 Timperman D21/444
D350,783 S * 9/1994 Bacon D21/443
D354,525 S * 1/1995 Sullivan D21/443
D362,470 S * 9/1995 Smith D21/443
D369,191 S * 4/1996 Dunipace D21/443
5,536,195 A * 7/1996 Stamos A63H 33/18
446/219
D377,199 S * 1/1997 Vermy D21/443
D386,222 S * 11/1997 Dunipace D21/443

D388,134 S * 12/1997 Dunipace D21/443
D390,282 S * 2/1998 Burdick D21/443
D392,696 S * 3/1998 Johnson D12/325
D406,282 S * 3/1999 Pinguelo D21/443
D412,768 S * 8/1999 Huettner D30/160
D430,530 S * 9/2000 Milde, Jr. D12/320
D464,088 S * 10/2002 Hu D21/443
D465,350 S * 11/2002 Byrne D6/407
D466,562 S * 12/2002 Peterson D21/443
D466,954 S * 12/2002 Vodhanel, Jr. D21/443
D469,296 S * 1/2003 Byrne D6/407
6,783,421 B1 * 8/2004 Lopez A63H 23/10
446/153
D501,517 S * 2/2005 Vodhanel, Jr. A63H 33/18
D21/443
D524,877 S * 7/2006 Kort D21/443
D526,029 S * 8/2006 Ragonetti A01K 15/025
D21/444
7,147,183 B1 * 12/2006 Carr B64C 39/064
244/12.2
D536,396 S * 2/2007 Crane D21/444
D559,920 S * 1/2008 Krueger D21/443
D564,042 S * 3/2008 Roy D21/443
D572,315 S * 7/2008 Sowinski D21/443
D624,132 S * 9/2010 Cheng D21/451
7,976,355 B2 * 7/2011 McAnulty A63H 33/18
119/707
D678,422 S * 3/2013 Thompson D12/325
D680,280 S * 4/2013 Nielsen D30/160
D683,516 S * 6/2013 Elias D1/106
D725,197 S * 3/2015 Thompson D21/443
D725,713 S * 3/2015 Thompson D21/443
D725,714 S * 3/2015 Kim D21/443
D778,370 S * 2/2017 Moore D21/443
D801,440 S * 10/2017 Pavelsky D21/455
9,873,064 B1 * 1/2018 Adkins A63H 5/00
D815,580 S * 4/2018 Kim D12/325
D817,251 S * 5/2018 Kim D12/325
D817,252 S * 5/2018 Kim D12/325
D822,296 S * 7/2018 Loibl D30/160
2004/0107431 A1 * 6/2004 Wilcoxson A63H 33/18
720/718
2008/0064289 A1 * 3/2008 McAnulty A01K 15/025
446/46
2009/0004945 A1 * 1/2009 deLassus A63H 33/18
446/46
2015/0319562 A1 * 11/2015 Martin A63B 67/06
340/8.1
2016/0262447 A1 * 9/2016 Davidson A24F 3/00

OTHER PUBLICATIONS

Sky Spinner by Duncan. earliest review dated Oct. 13, 2016. found online [Apr. 13, 2019] https://www.amazon.com/dp/B01DFQOM2M/ref=psdc_166432011_t2_B001G3C5K8.*

* cited by examiner

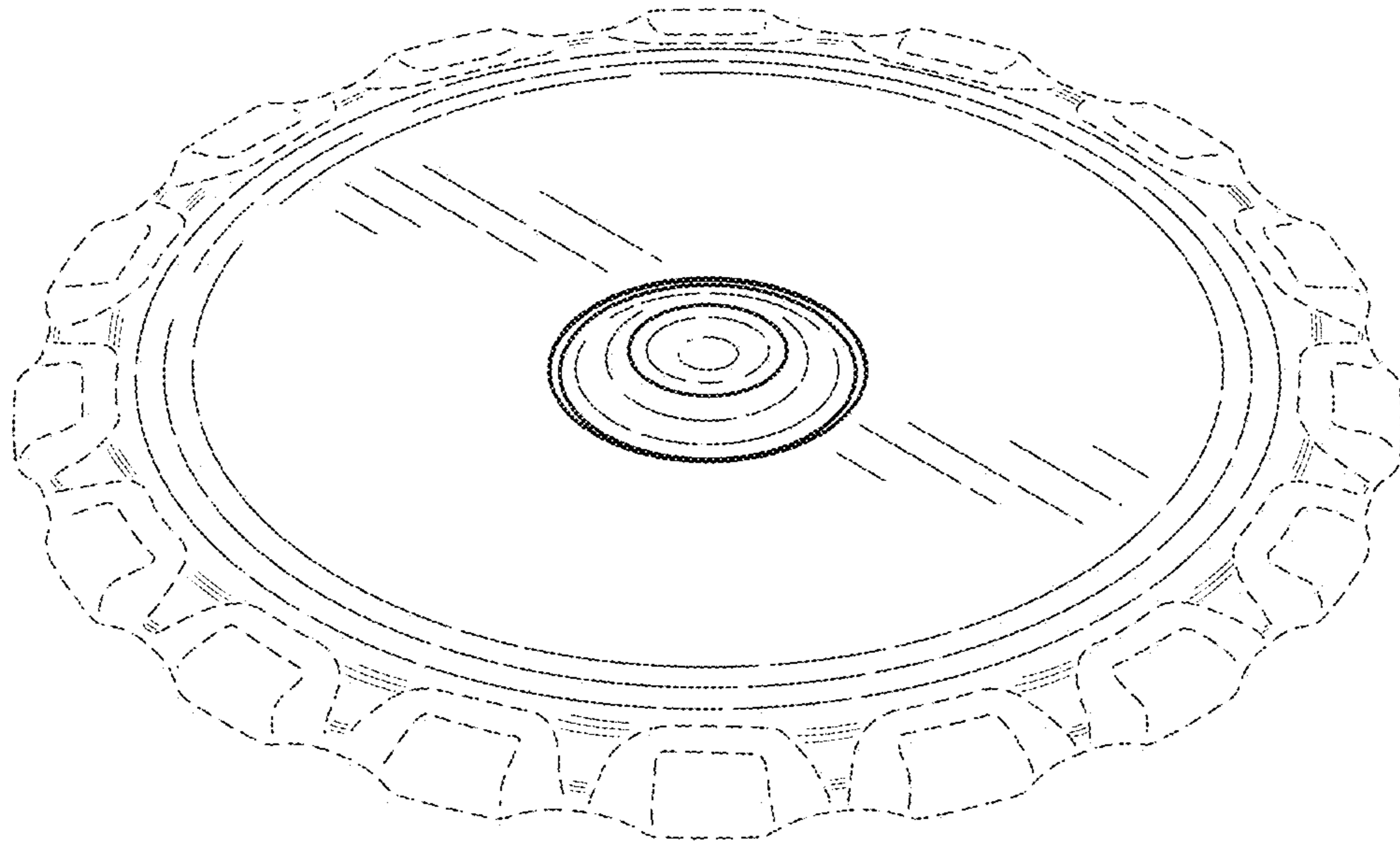


FIG.1

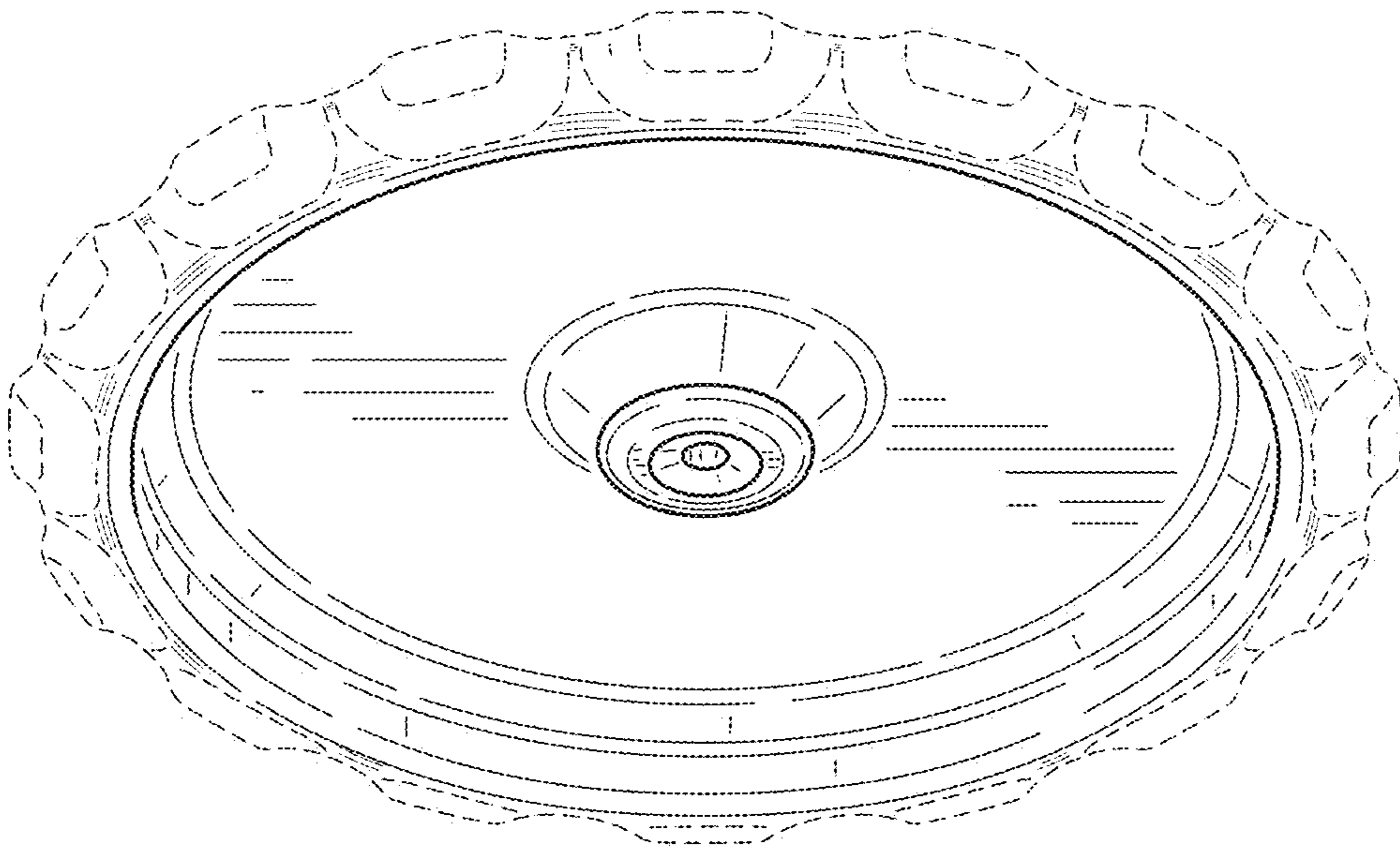


FIG.2

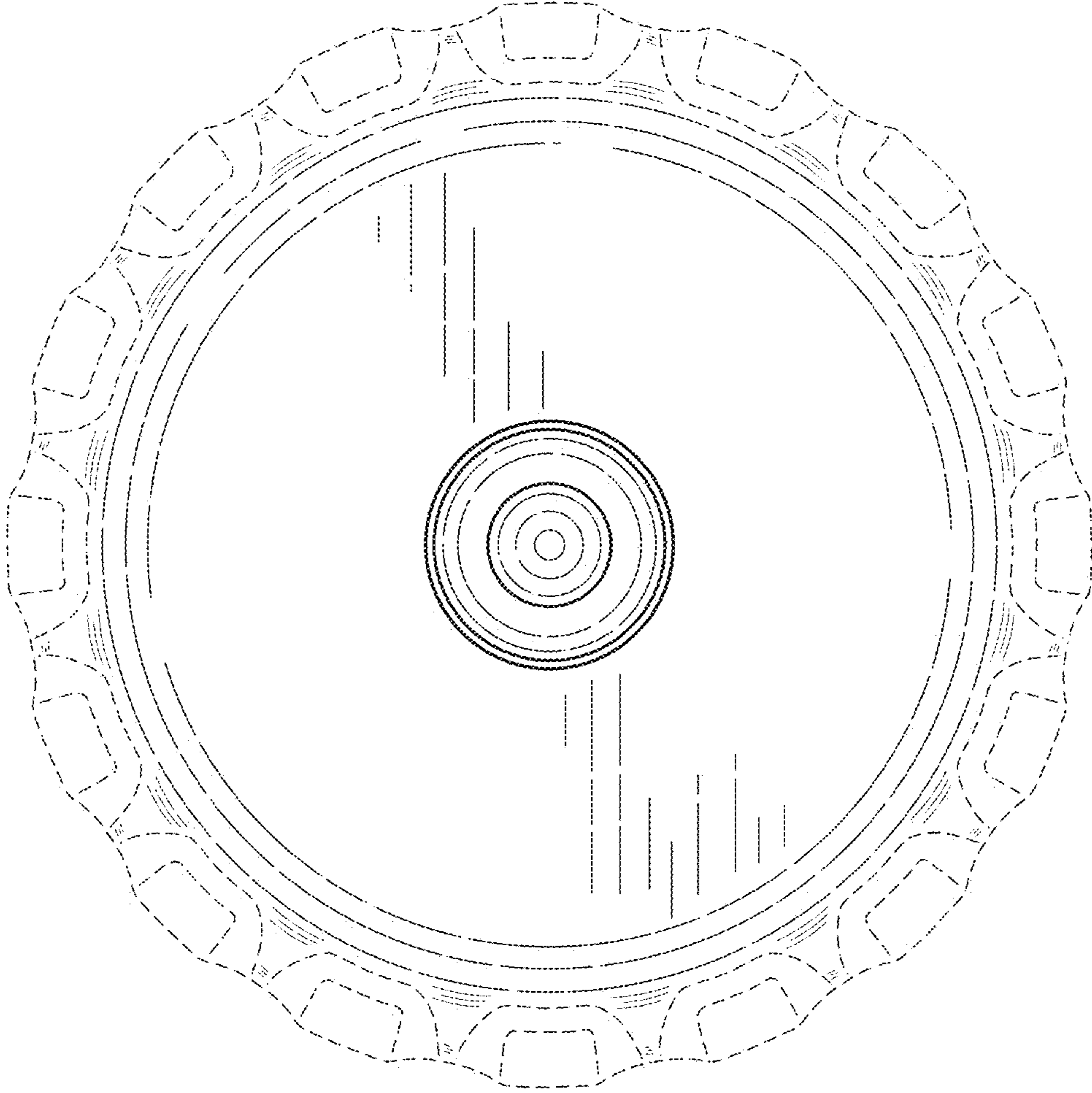


FIG.3

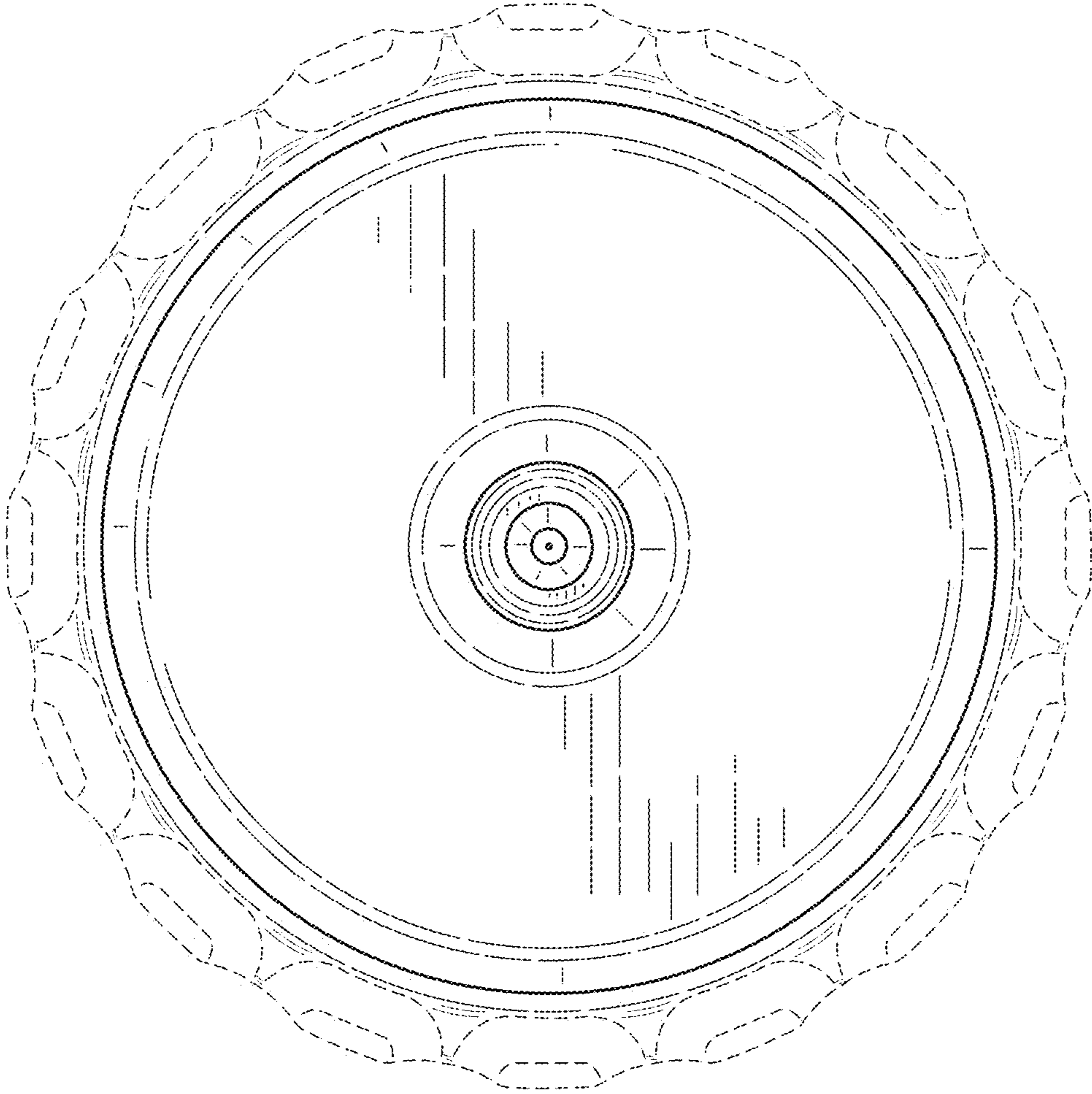


FIG.4

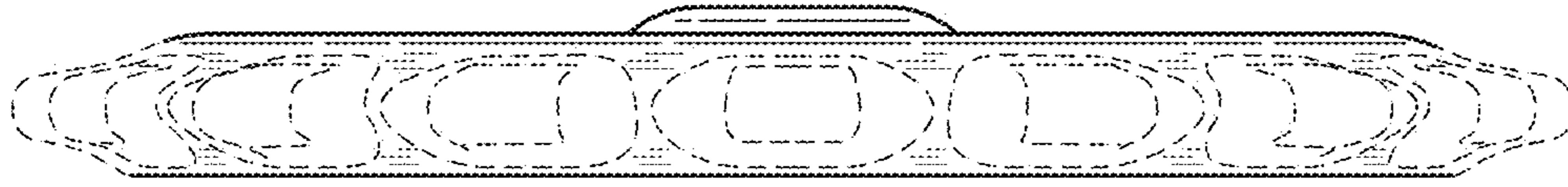


FIG. 5



FIG. 6



FIG. 7



FIG. 8