



US00D873923S

(12) **United States Design Patent** (10) **Patent No.:** **US D873,923 S**
Spencer (45) **Date of Patent:** **** Jan. 28, 2020**

(54) **GAME STAND**
(71) Applicant: **Wayne Spencer**, Lutz, FL (US)
(72) Inventor: **Wayne Spencer**, Lutz, FL (US)
(**) Term: **15 Years**
(21) Appl. No.: **29/600,924**
(22) Filed: **Apr. 17, 2017**
(51) **LOC (12) Cl.** **21-01**
(52) **U.S. Cl.**
USPC **D21/385**
(58) **Field of Classification Search**
USPC D21/385; D7/387, 388, 397; D6/708,
D6/708.17, 708.21, 712; D29/129, 130;
D9/434, 455
CPC G07F 17/3202; A63F 2007/3685
See application file for complete search history.

D522,180 S * 5/2006 Gorla, II G07F 5/04
D29/130
D537,482 S * 2/2007 Gadda D21/385
D616,040 S * 5/2010 Spencer D21/385
D648,404 S * 11/2011 Guyer D21/385
D763,619 S * 8/2016 Girardi D7/306
D793,779 S * 8/2017 Van Landingham, Jr.
D6/682.1

* cited by examiner

Primary Examiner — George D. Kirschbaum
Assistant Examiner — Joseph J Kukella
(74) *Attorney, Agent, or Firm* — Edward P Dutkiewicz

(57) **CLAIM**

The ornamental design for a game stand, as shown and described.

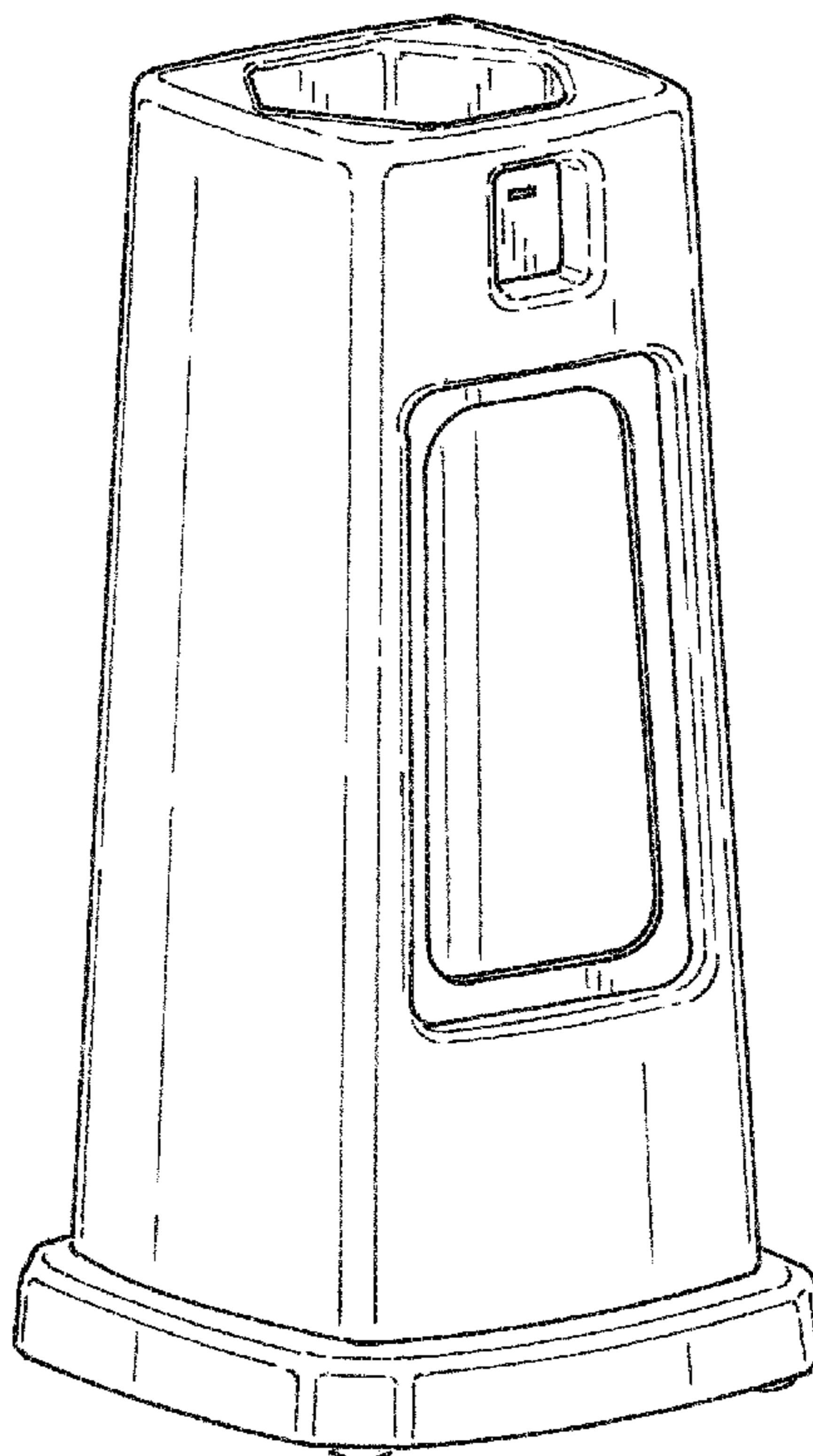
DESCRIPTION

FIG. 1 is a rear side elevational view of the game stand showing my new design;
FIG. 2 is a front side elevational view of the game stand;
FIG. 3 is a right side elevational view thereof;
FIG. 4 is a left side elevational view thereof;
FIG. 5 is a top plan view of the game stand; and
FIG. 6 is a bottom plan view thereof;
FIG. 7 is a rear-right side, upper perspective view of the game stand;
FIG. 8 is a rear-right side, top perspective view of the game stand; and,
FIG. 9 is a rear-right side, bottom perspective view of the game stand.

(56) **References Cited**
U.S. PATENT DOCUMENTS

D172,980 S * 9/1954 Obodzinski D20/7
2,825,519 A * 3/1958 Potts A47F 5/114
248/174
3,010,557 A * 11/1961 Weitzman G07F 5/04
194/236
D240,880 S * 8/1976 Phillips D21/385
D241,699 S * 10/1976 Barecki D6/708.17
D357,706 S * 4/1995 Pick D20/7
D462,286 S * 9/2002 Perelli D10/113.2
D468,368 S * 1/2003 Jones A47F 5/114
D21/385

1 Claim, 6 Drawing Sheets



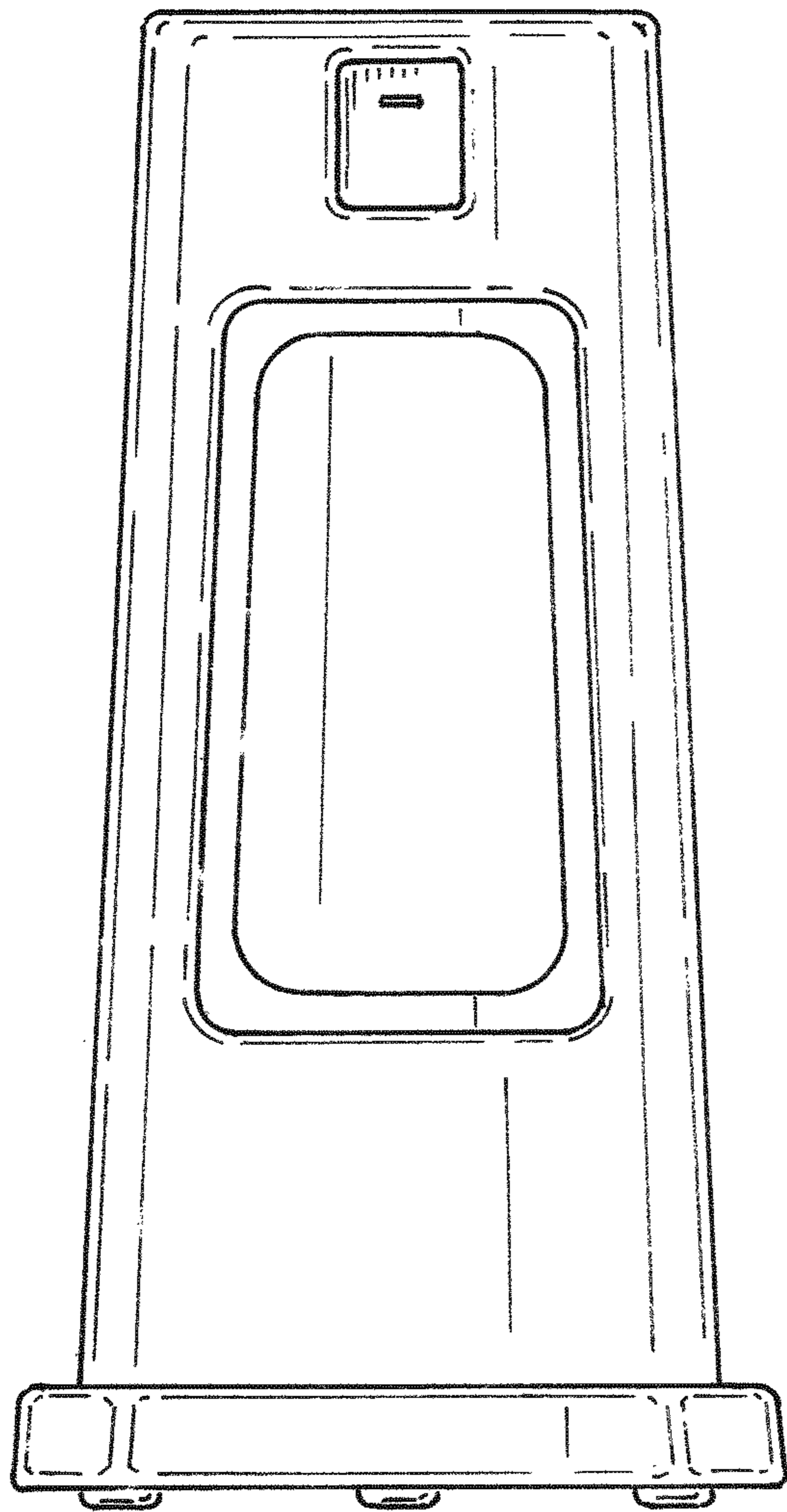


FIG. 1

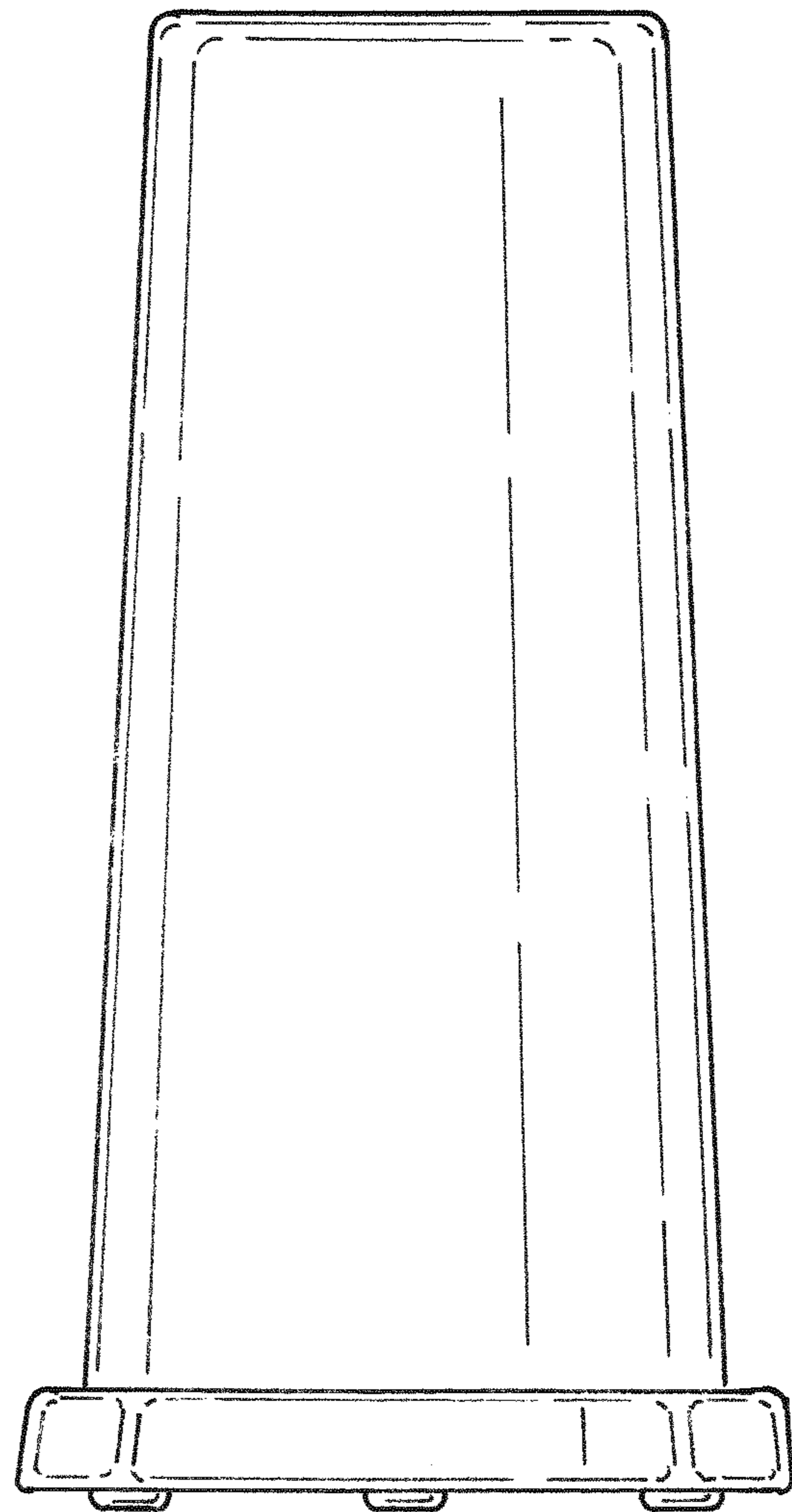


FIG. 2

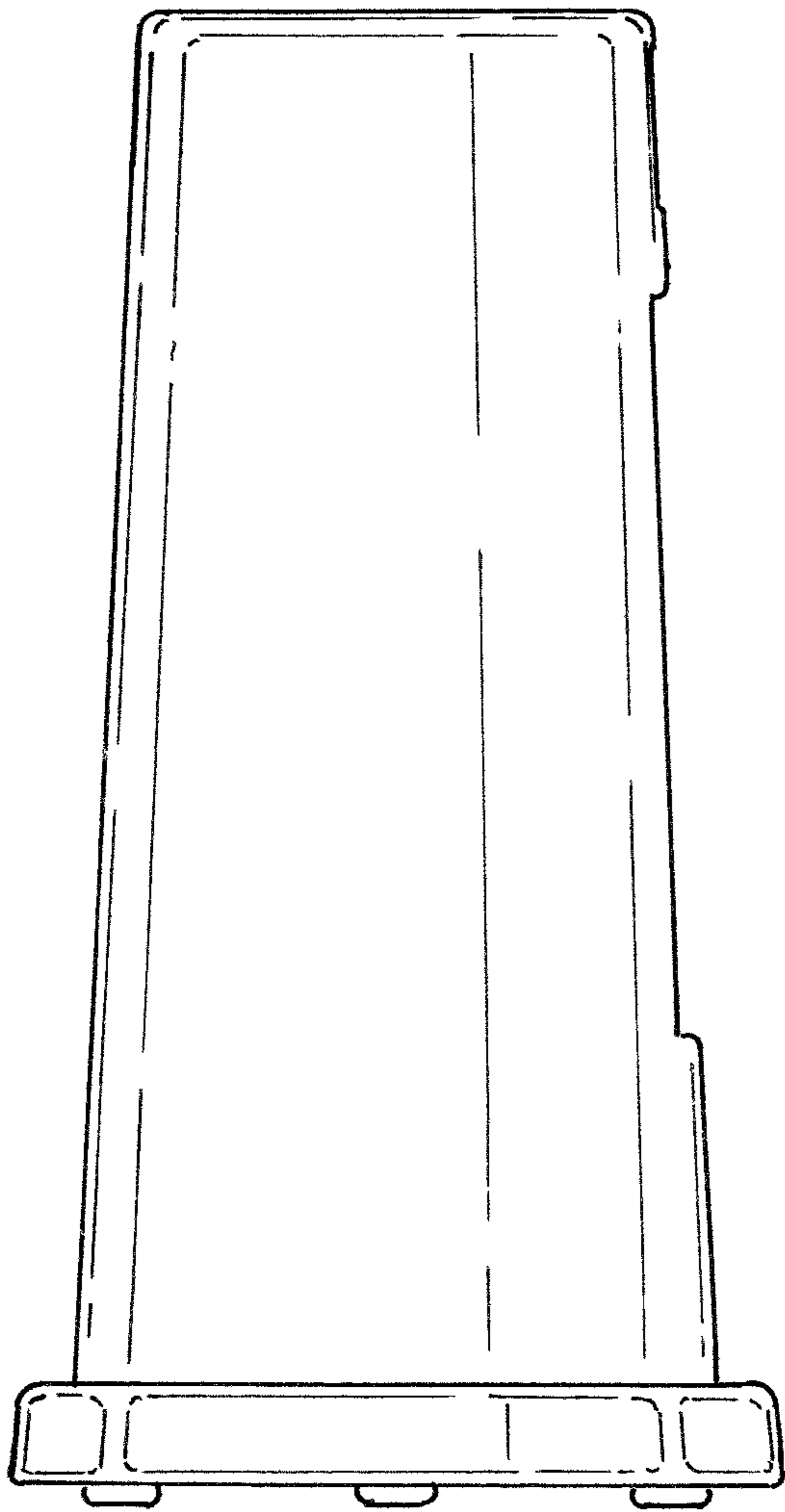


FIG. 3

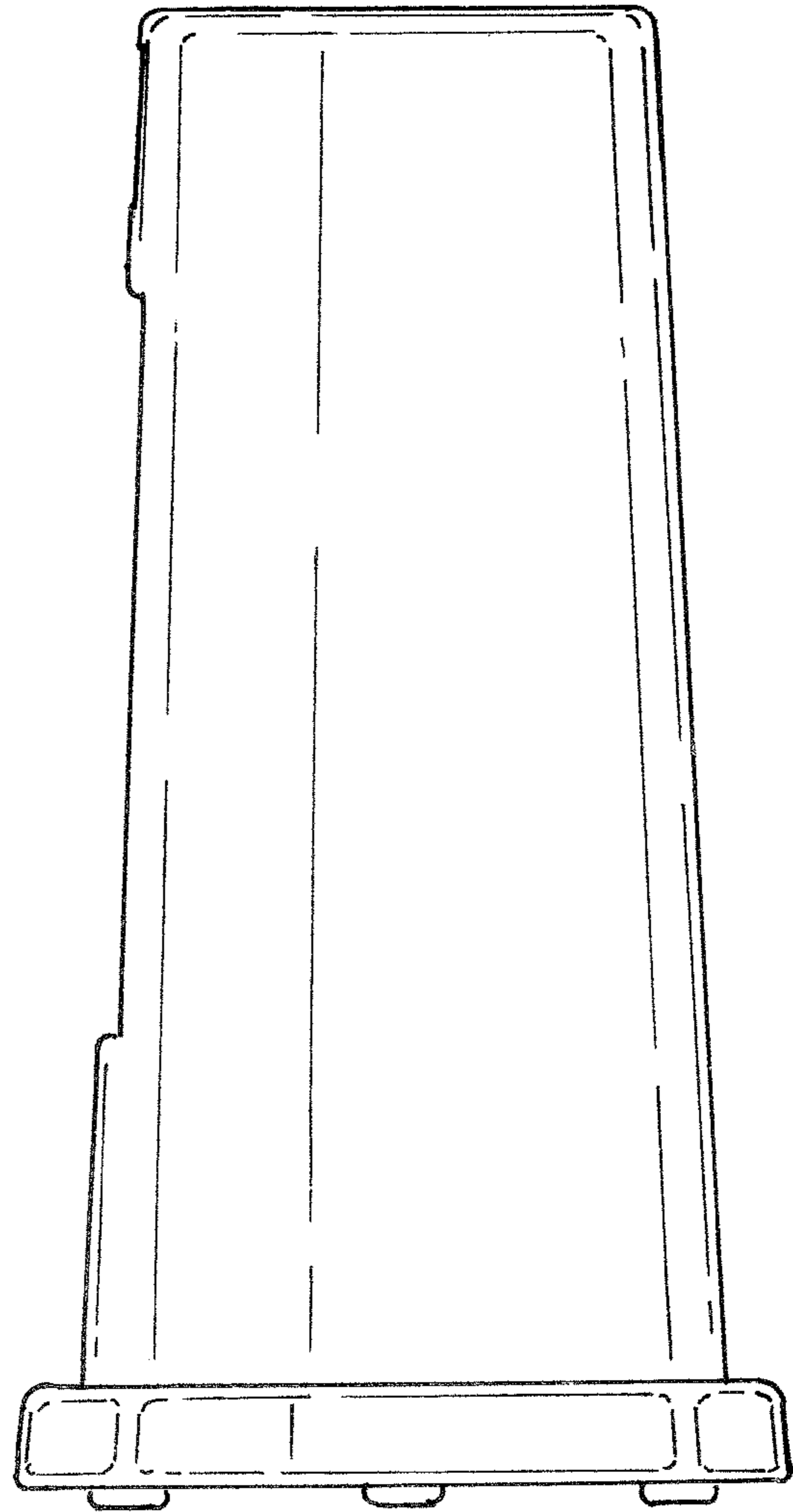


FIG. 4

FIG. 5

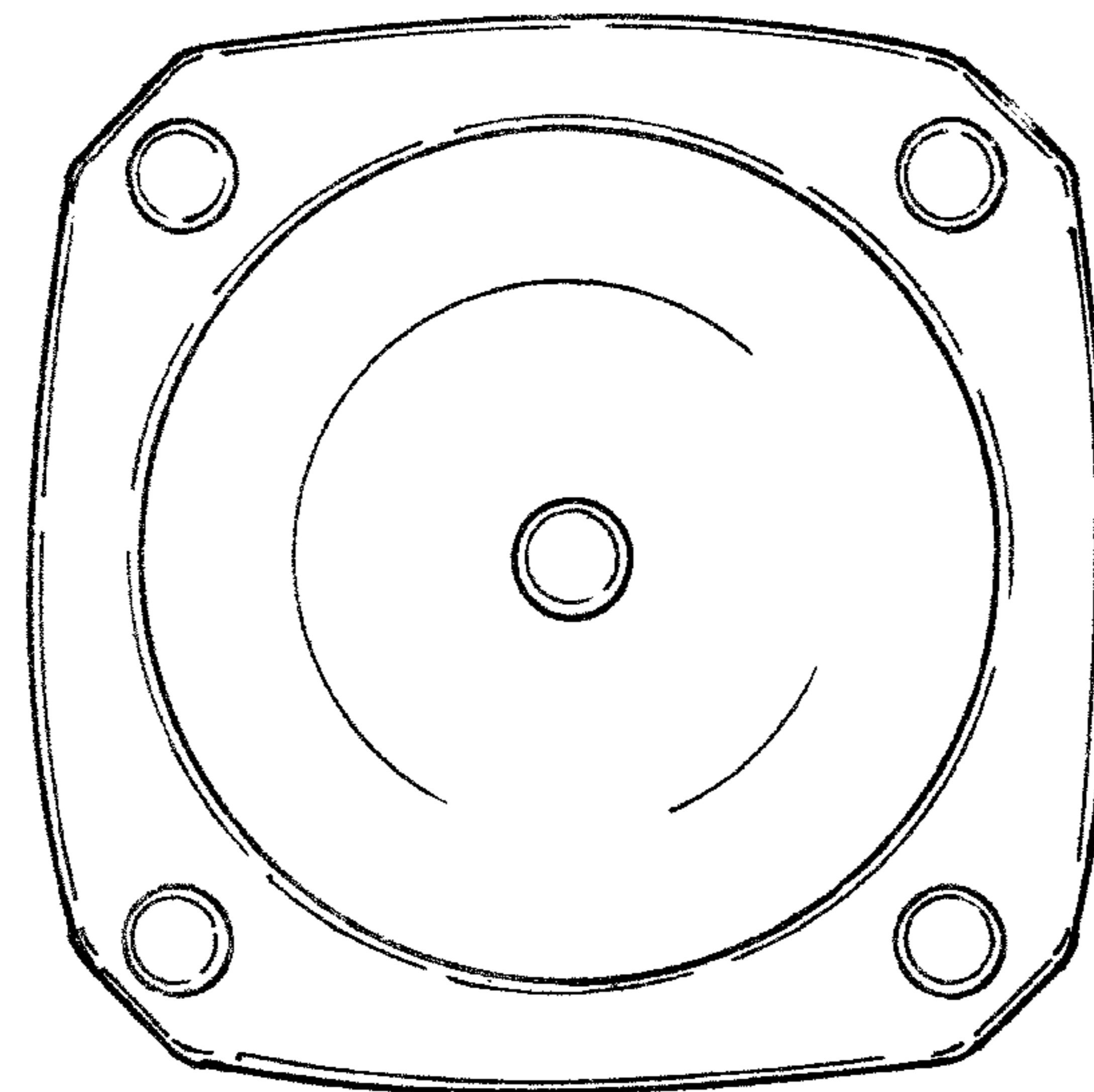
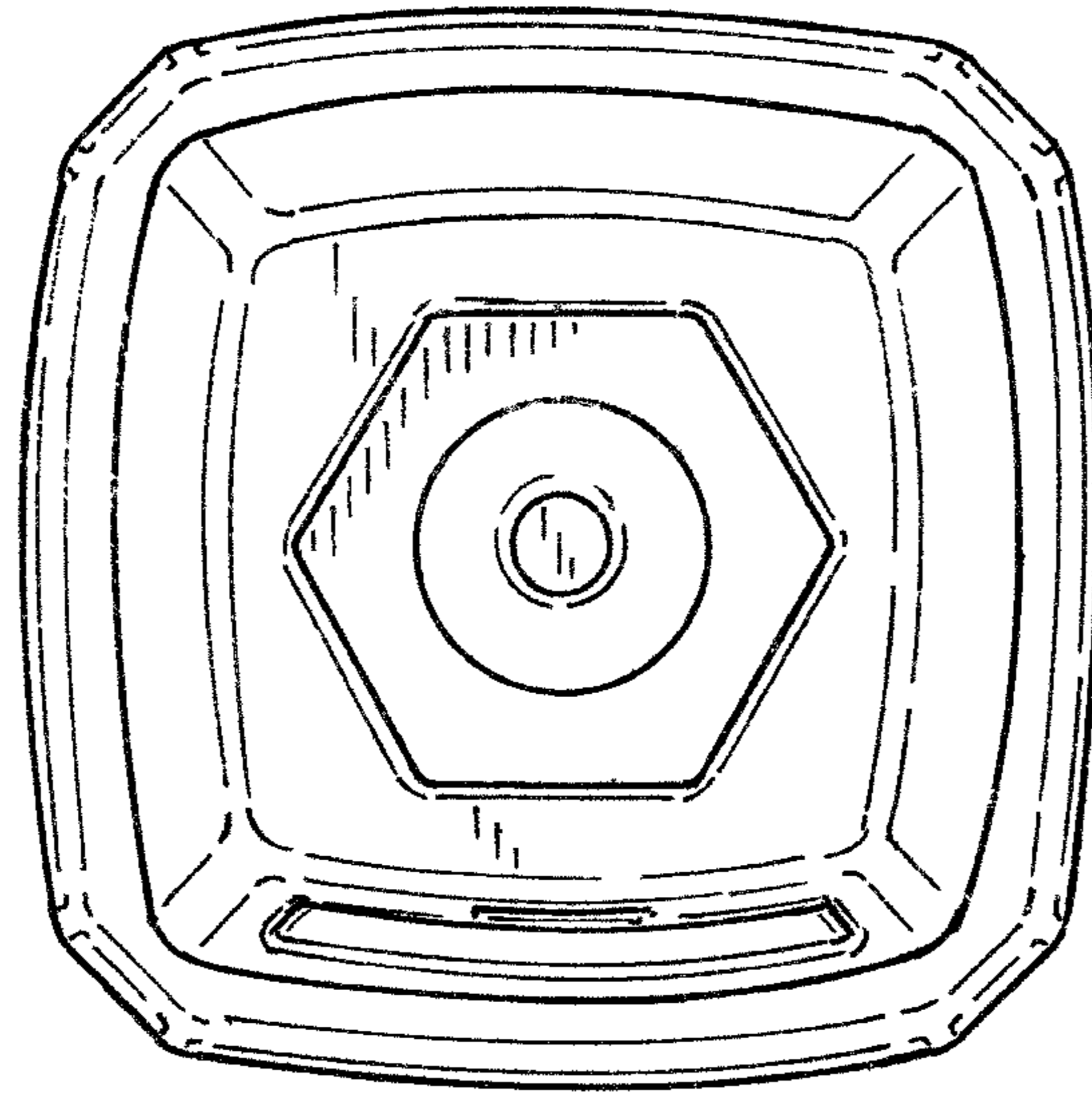


FIG. 6

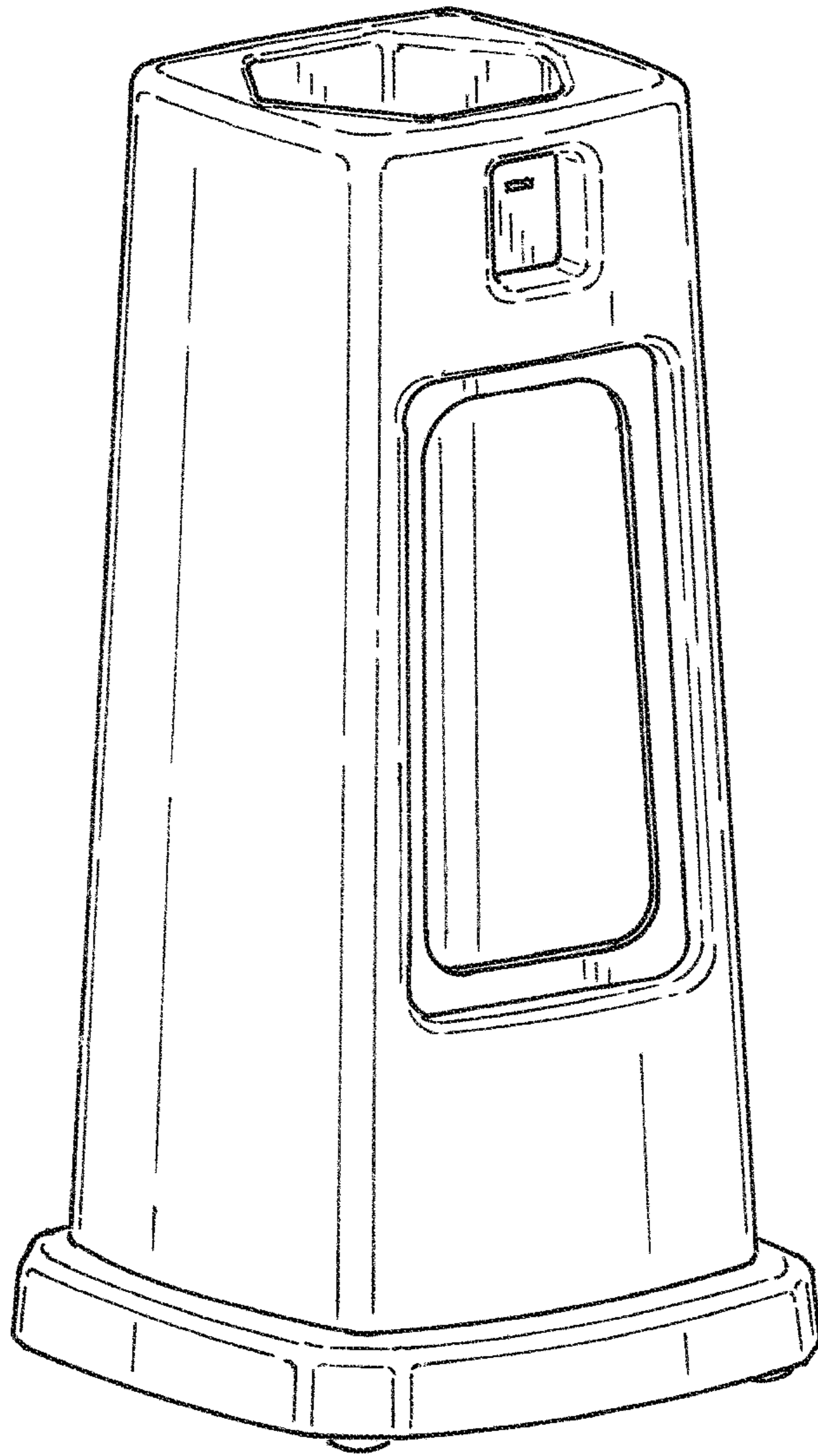


FIG. 7

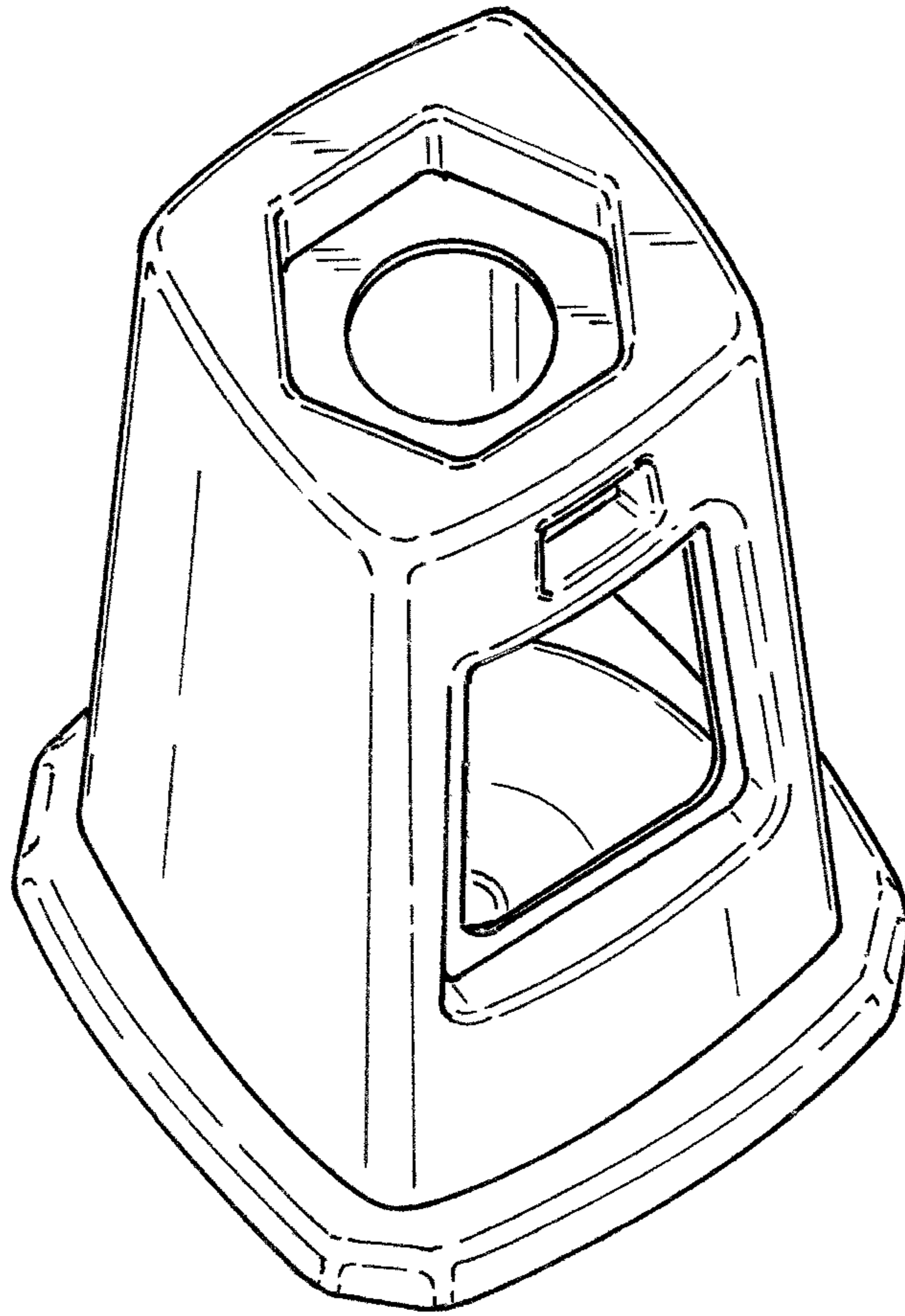


FIG. 8

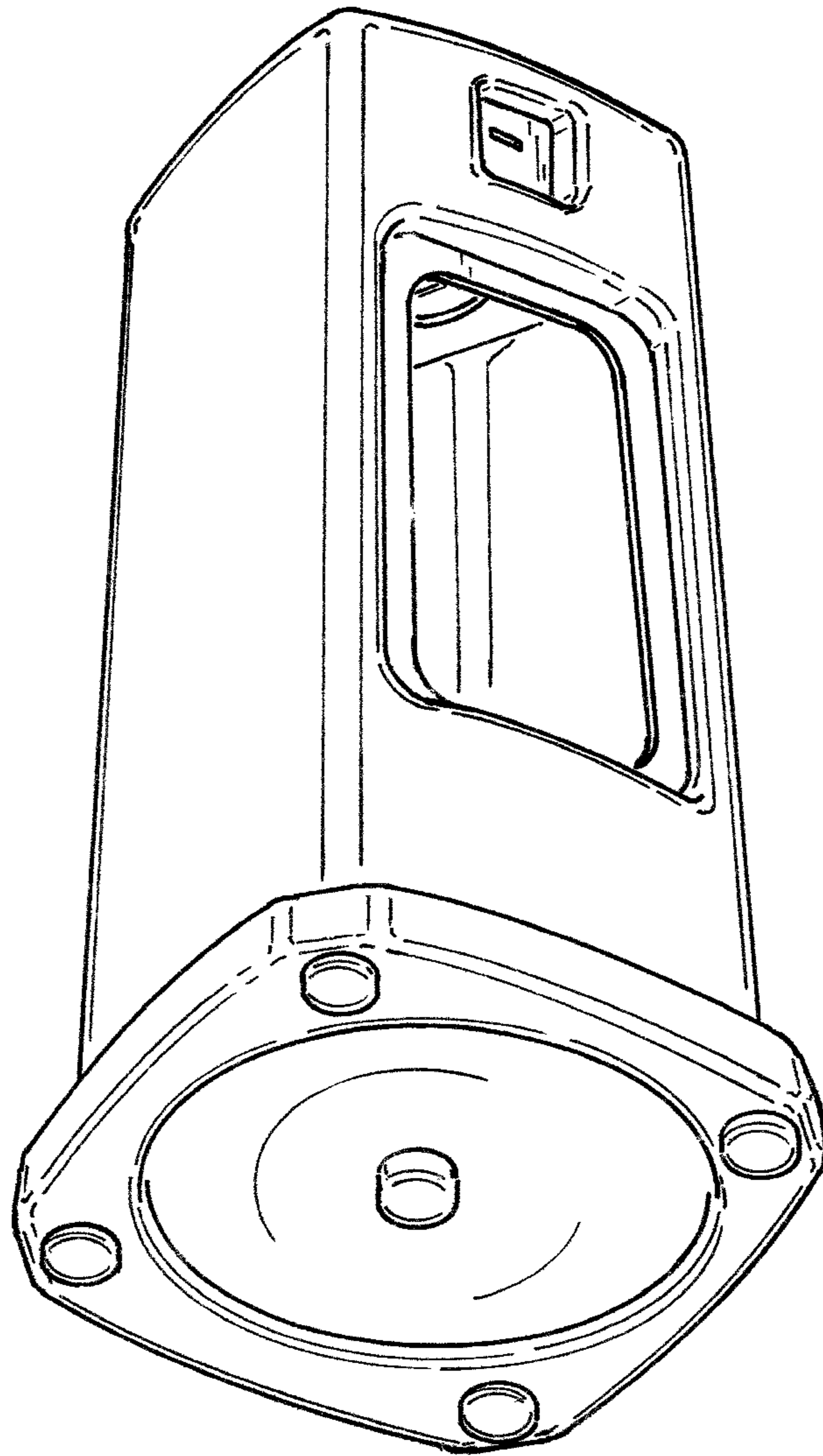


FIG. 9