



US00D873920S

(12) **United States Design Patent** (10) **Patent No.:** **US D873,920 S**
Slone (45) **Date of Patent:** **** *Jan. 28, 2020**

(54) **GAME BOARD**

(71) Applicant: **Lonnie D. Slone**, South Solon, OH (US)

(72) Inventor: **Lonnie D. Slone**, South Solon, OH (US)

(*) Notice: This patent is subject to a terminal disclaimer.

(**) Term: **15 Years**

(21) Appl. No.: **29/626,777**

(22) Filed: **Nov. 20, 2017**

(51) **LOC (12) Cl.** **21-01**

(52) **U.S. Cl.**
USPC **D21/337**

(58) **Field of Classification Search**

USPC D21/300-304, 324, 333-346, 365, 369, D21/385, 392-397, 148 R, 309, 459, 460, D21/319, 789-792, 363; 273/342-346, 273/335, 236, 237, 238, 242, 244.2, 273/248-263, 274, 275, 277-291, 292, 273/398-402, 317, 336, 348, 407-410, 273/108, 331, 118 R, 123 R, 127 R; D10/46.1, 46; 235/90, 1 B-1 D; 463/13, 463/1, 46, 47; 16/225; 116/222-225, 116/325, 326; 473/180, 175, 179, 182, 473/185, 187, 569, 592; D6/683, 683.1, D6/706, 707, 707.18, 707.19, 657, 661.2, D6/660, 672, 673, 675, 675.4, 680.2, 681; 211/71.01, 73, 85, 85.17, 132.1, 60.1, 211/70.6, 70.7, 175; D7/637-641, 632, D7/601; D19/75; 312/301, 298; 206/553; 248/37.3, 37.6; 30/298.4
CPC .. A63F 9/0204; A63F 1/00; A63F 1/06; A63F 1/062; A63F 1/067; A63F 1/18; A63F 3/0023; A63F 3/00574; A63F 3/00006; A63F 3/00643; A63F 3/00082; A63F 3/00097; A63F 3/00173; A63F 3/00157; A63F 3/00261; A63F 2003/00233; A63F

2003/00946; A63F 2003/00943; A63F 2003/0034; A63F 2003/00583; A63F 2003/00182; A63F 2003/0022; A63F 2003/00255; A63F 2003/00457; A63F 2250/326; A63F 2250/20; A63F 9/0093; A63F 9/24; A63F 11/0051; A63F 2011/0055; A63F 2009/245134; A63B 63/00; A63B 63/007; A63B 63/08; A63B 67/00; A63B 67/06; A63B 67/066; A63B 2063/002; A63B 2067/065; A63B 2067/063; A63B 2067/061; A63B 2208/12; A63B 71/00; A47B 88/20; A47B 88/994; A47B 88/90; A47F 7/00; A47G 21/00; A47G 21/14; B26B 3/00

See application file for complete search history.

(56) **References Cited**

U.S. PATENT DOCUMENTS

406,342 A 7/1889 Dumont
921,366 A 5/1909 Conolly
(Continued)

Primary Examiner — Susan Moon Lee
(74) *Attorney, Agent, or Firm* — Cramer Patent & Design, PLLC; Aaron R. Cramer

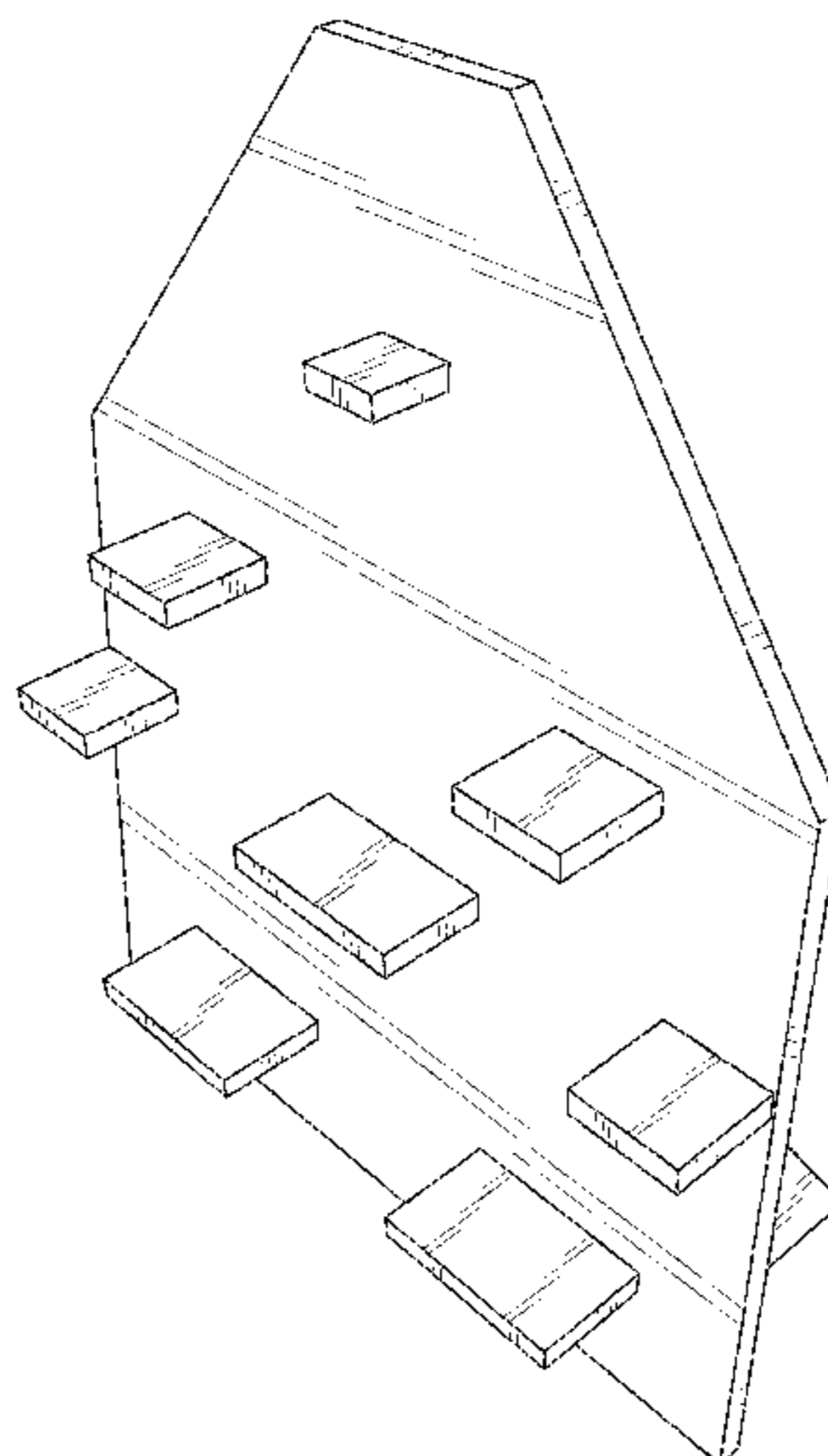
(57) **CLAIM**

The ornamental design for a game board, as shown and described.

DESCRIPTION

FIG. 1 is a perspective top front left view of a game board, showing my new design;
FIG. 2 is a perspective top rear right view thereof;
FIG. 3 is a front elevation view thereof;
FIG. 4 is a rear elevation view thereof;
FIG. 5 is a right elevation view thereof;
FIG. 6 is a left elevation view thereof;
FIG. 7 is a top plan view thereof; and,
FIG. 8 is a bottom plan view thereof.

1 Claim, 8 Drawing Sheets



(56)

References Cited

U.S. PATENT DOCUMENTS

1,516,887 A *	11/1924	McPherson	A63F 9/0204	273/317.6	3,825,262 A *	7/1974	Grzybowski	A63B 67/10	273/412
1,542,063 A *	6/1925	Knight	A63F 9/0204	273/399	3,904,206 A *	9/1975	Kolwicz	A63F 3/02	273/260
1,547,171 A	7/1925	Huttlin				4,120,499 A *	10/1978	Stazzone	A63B 67/06	273/338
1,636,645 A *	7/1927	Noda	A63F 9/0204	273/380	4,323,250 A	4/1982	Lansberry			
1,781,717 A *	11/1930	Bradt	A63B 67/10	273/335	4,919,436 A *	4/1990	Buselli	A63F 9/0208	273/348.4
1,996,986 A *	4/1935	Weinberg	A63F 9/0204	273/400	4,971,333 A *	11/1990	Buselli	A63F 9/0208	273/348.4
2,224,962 A *	12/1940	Hines	A63F 9/0204	273/400	D318,883 S *	8/1991	Pazienza	D21/303	
2,455,185 A *	11/1948	May	A63B 67/02	473/195	RE34,461 E *	11/1993	Buselli	A63F 9/0208	273/348.4
2,603,489 A *	7/1952	Baumberger	A63F 7/00	273/120 R	5,320,360 A	6/1994	St. Pierre			
3,035,838 A *	5/1962	Johnston	A63F 9/0204	273/400	5,332,230 A *	7/1994	Benedict	A63B 67/06	273/400
3,554,550 A *	1/1971	Schram	A63B 67/06	273/388	5,333,879 A *	8/1994	Barnes	A63B 63/007	273/400
D222,485 S *	10/1971	Grant	D21/337		7,673,881 B2	3/2010	Held et al.			
3,643,950 A *	2/1972	Holk	A63F 9/0204	273/394	8,651,492 B1 *	2/2014	Cappuccio	A63B 67/002	273/348
3,674,272 A *	7/1972	Wszalek	A63F 3/00094	273/239	D721,404 S *	1/2015	Pagliaro, III	D21/303	
3,799,548 A *	3/1974	Lemkin	A63F 3/00694	273/239	D729,320 S *	5/2015	Parker	D21/303	
						D741,409 S *	10/2015	Moulton	D21/303	
						2010/0194047 A1	8/2010	Sauerwine			
						2016/0089589 A1 *	3/2016	Ali	A63B 63/00	273/401
						2019/0255409 A1 *	8/2019	Campelo	A63B 67/06	

* cited by examiner

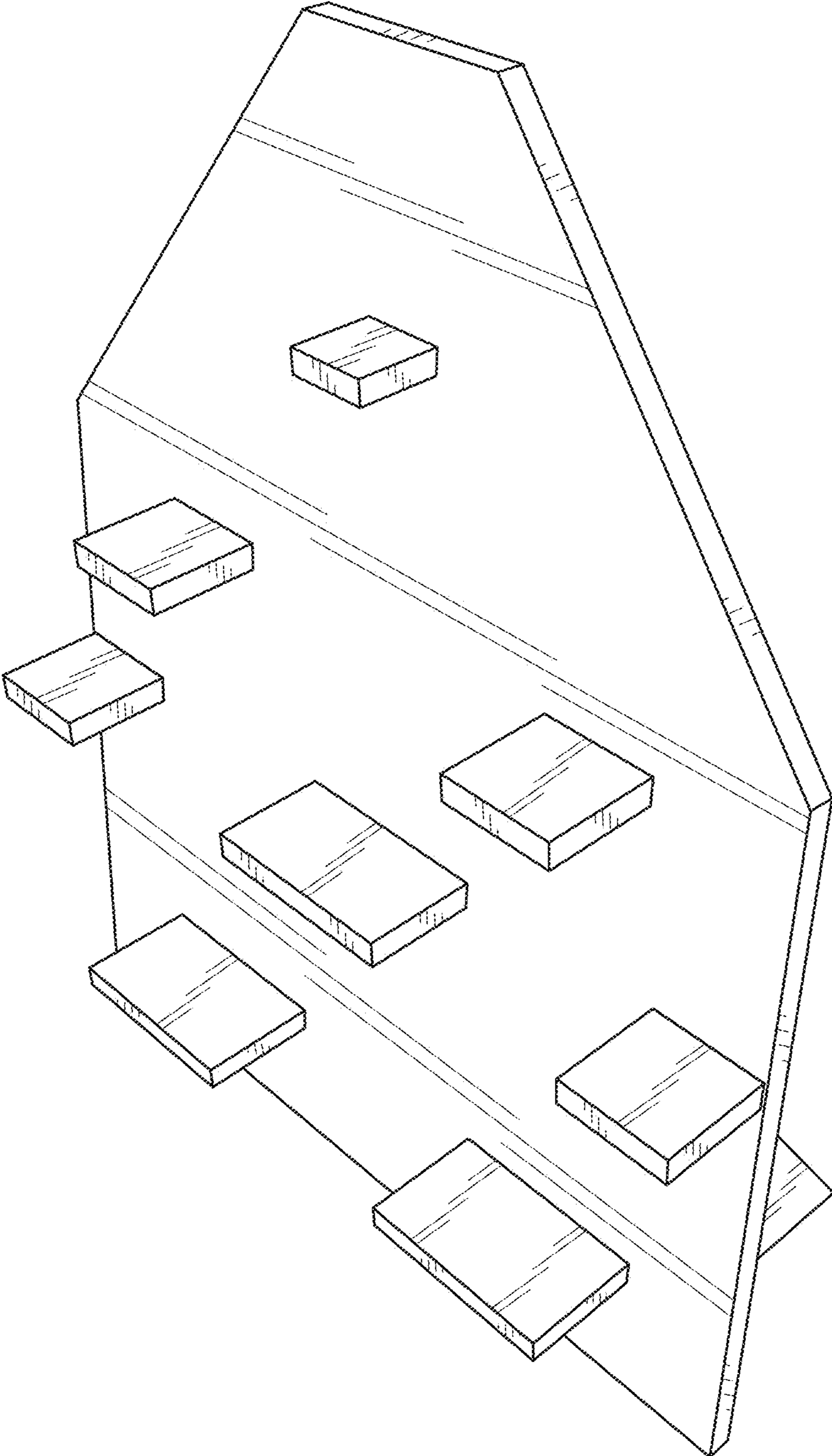


FIG. 1

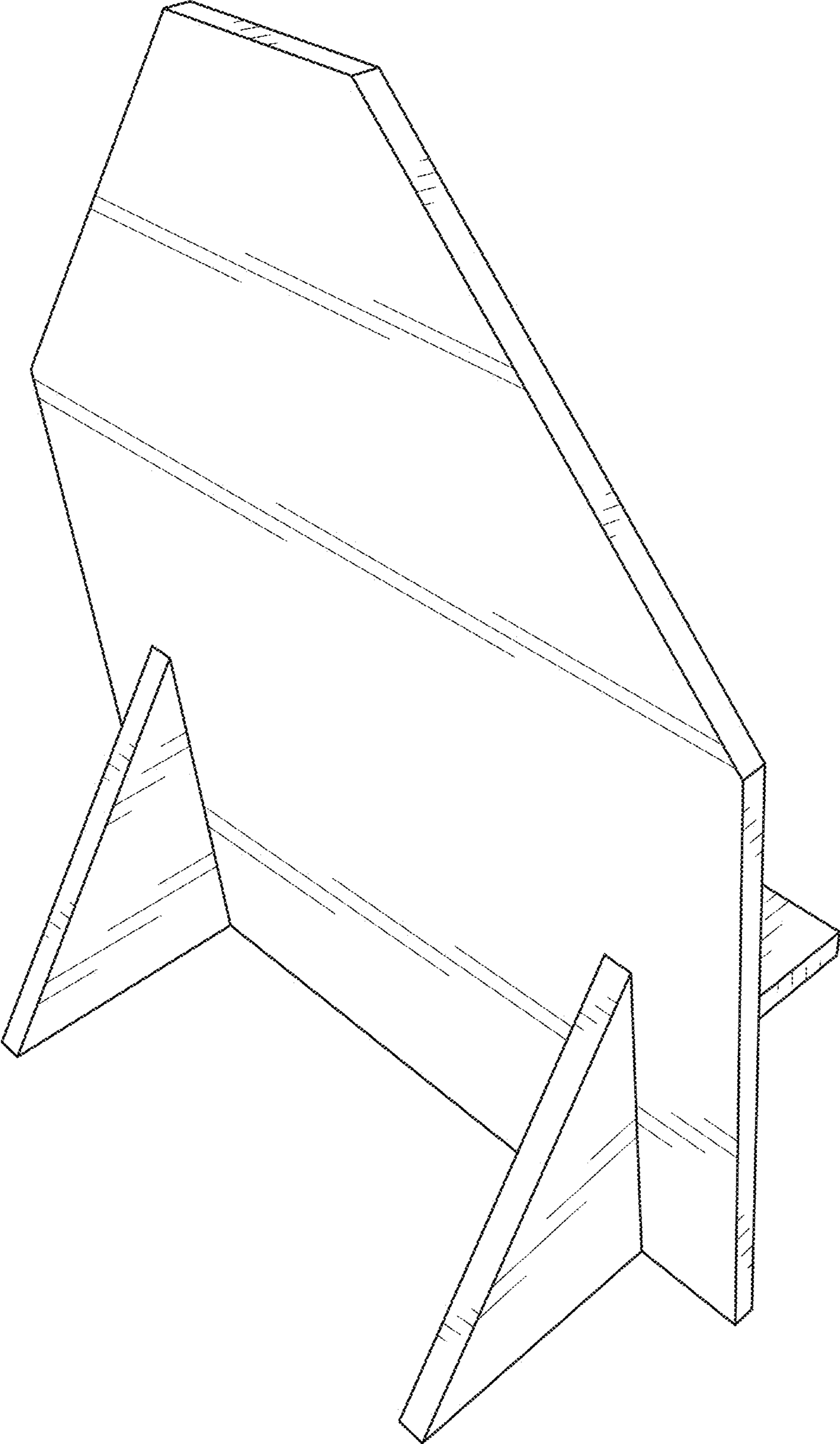


FIG. 2

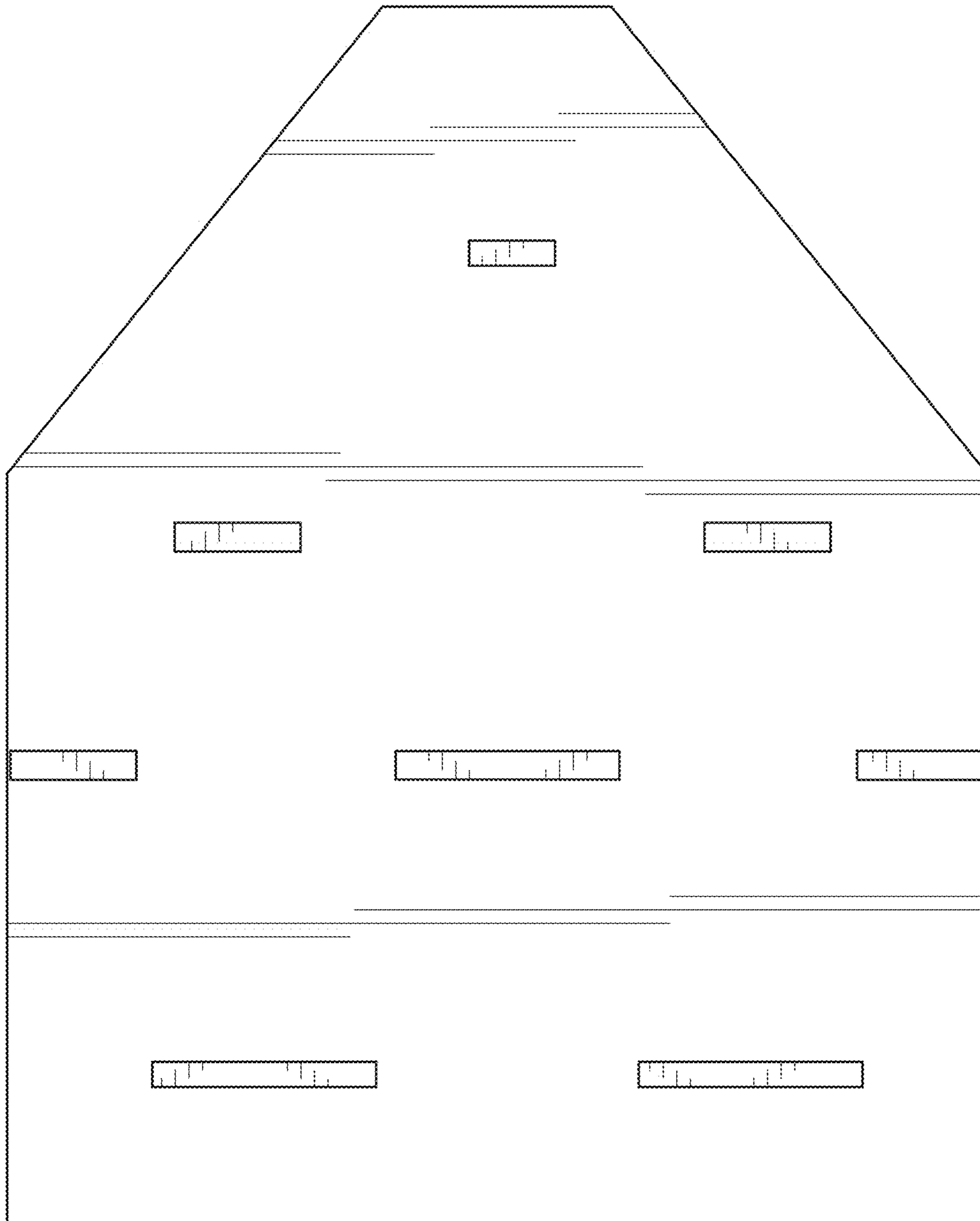


FIG. 3

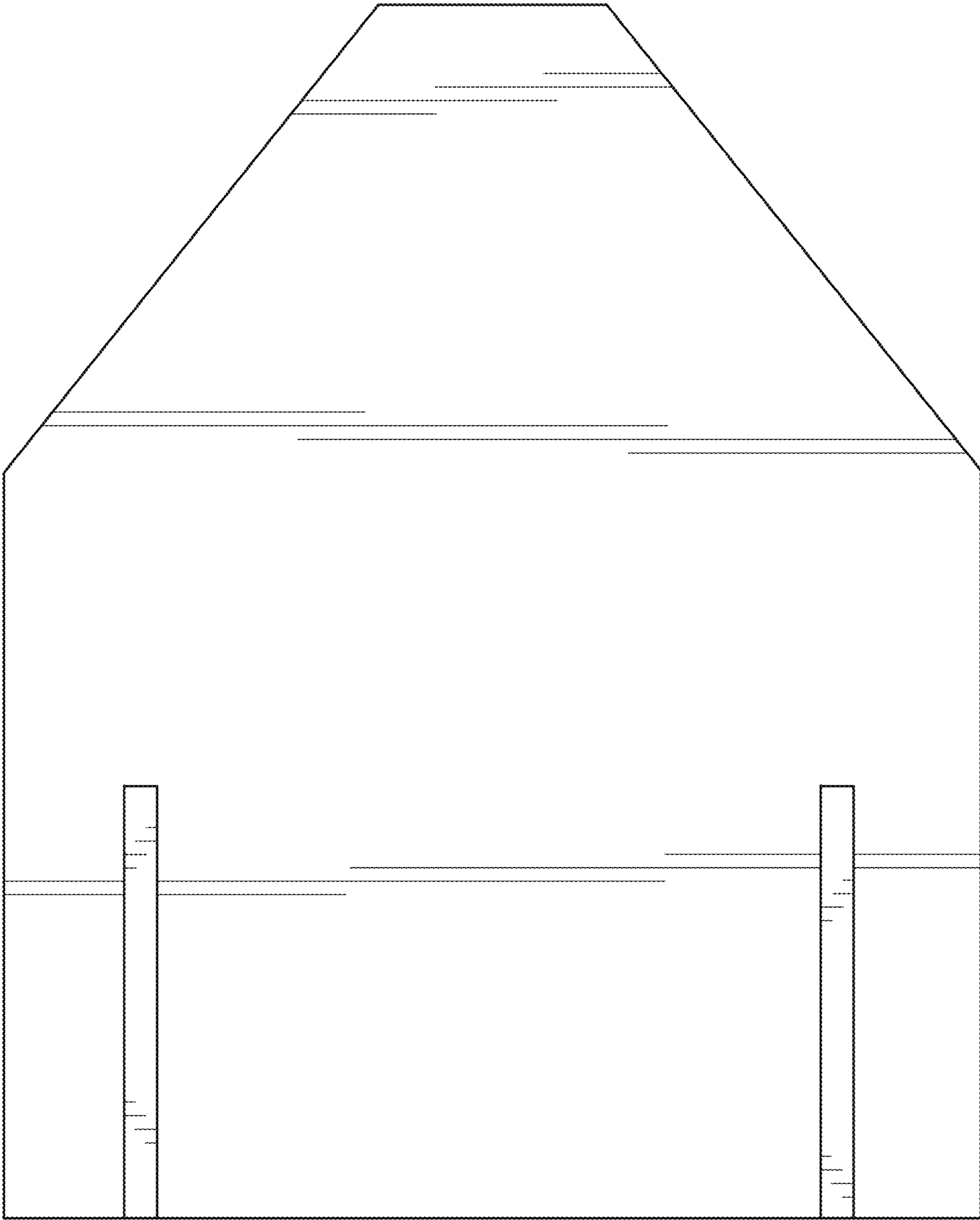


FIG. 4

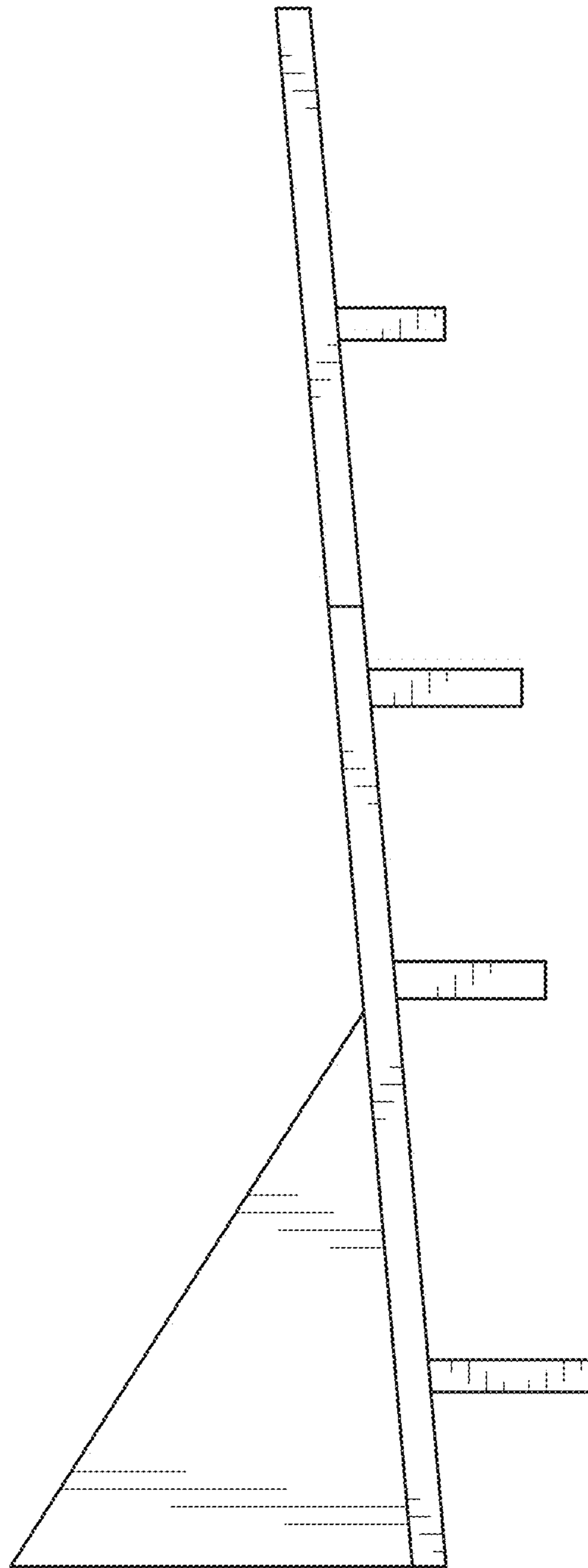


FIG. 5

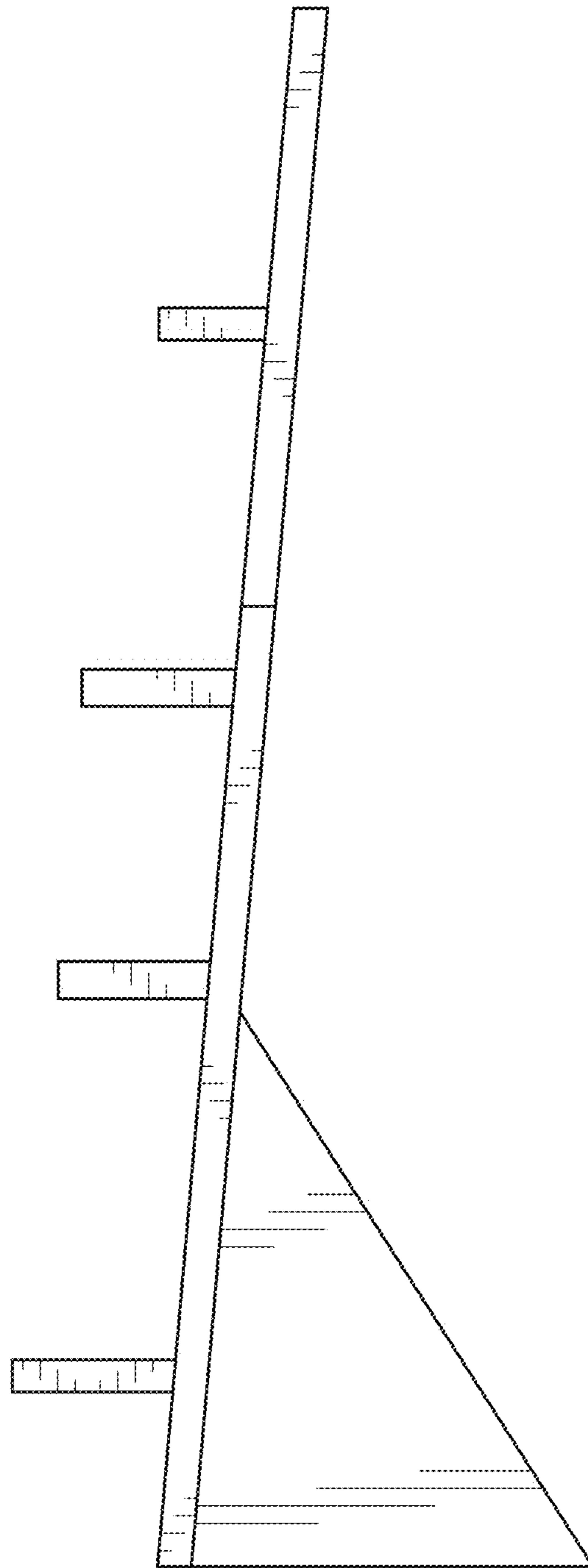


FIG. 6

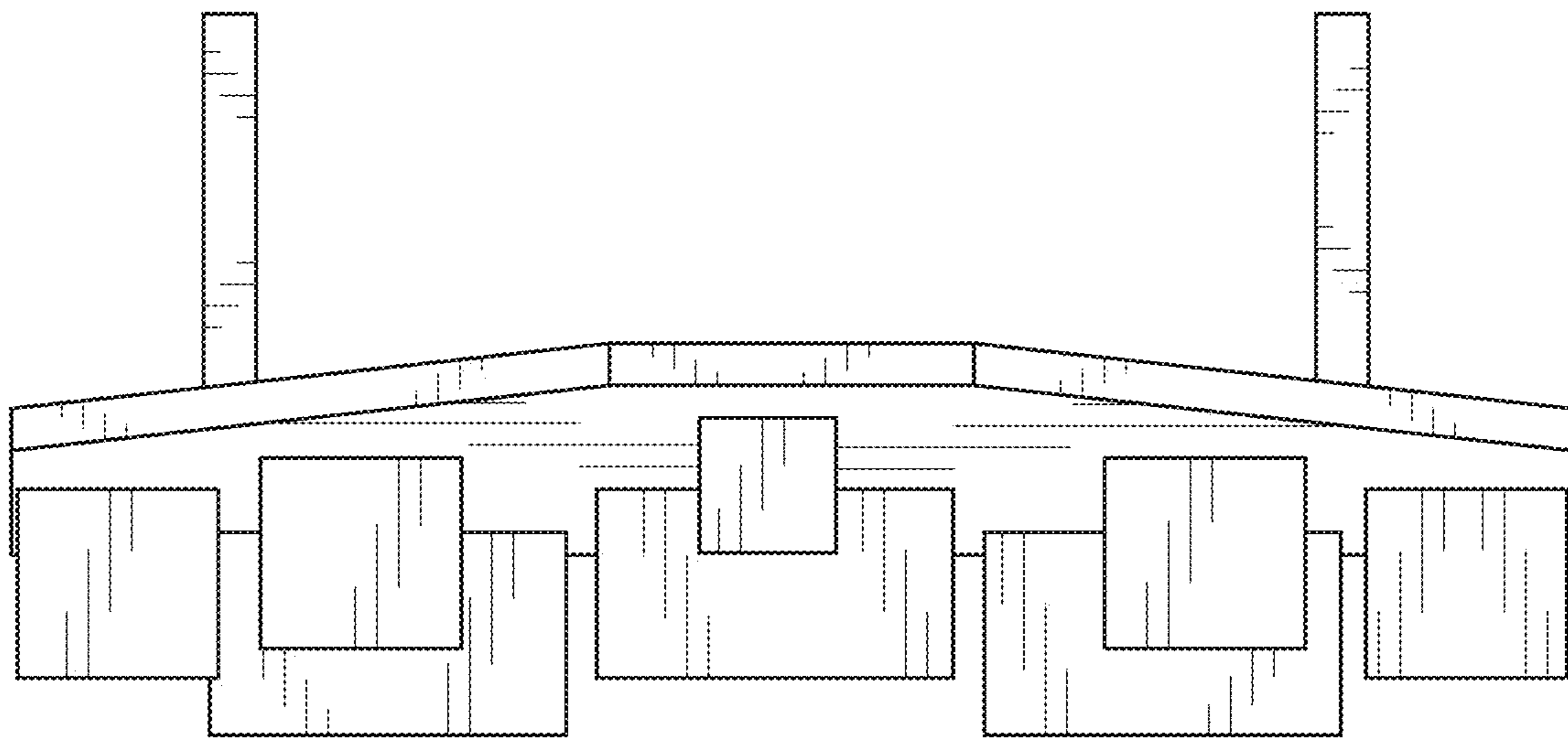


FIG. 7

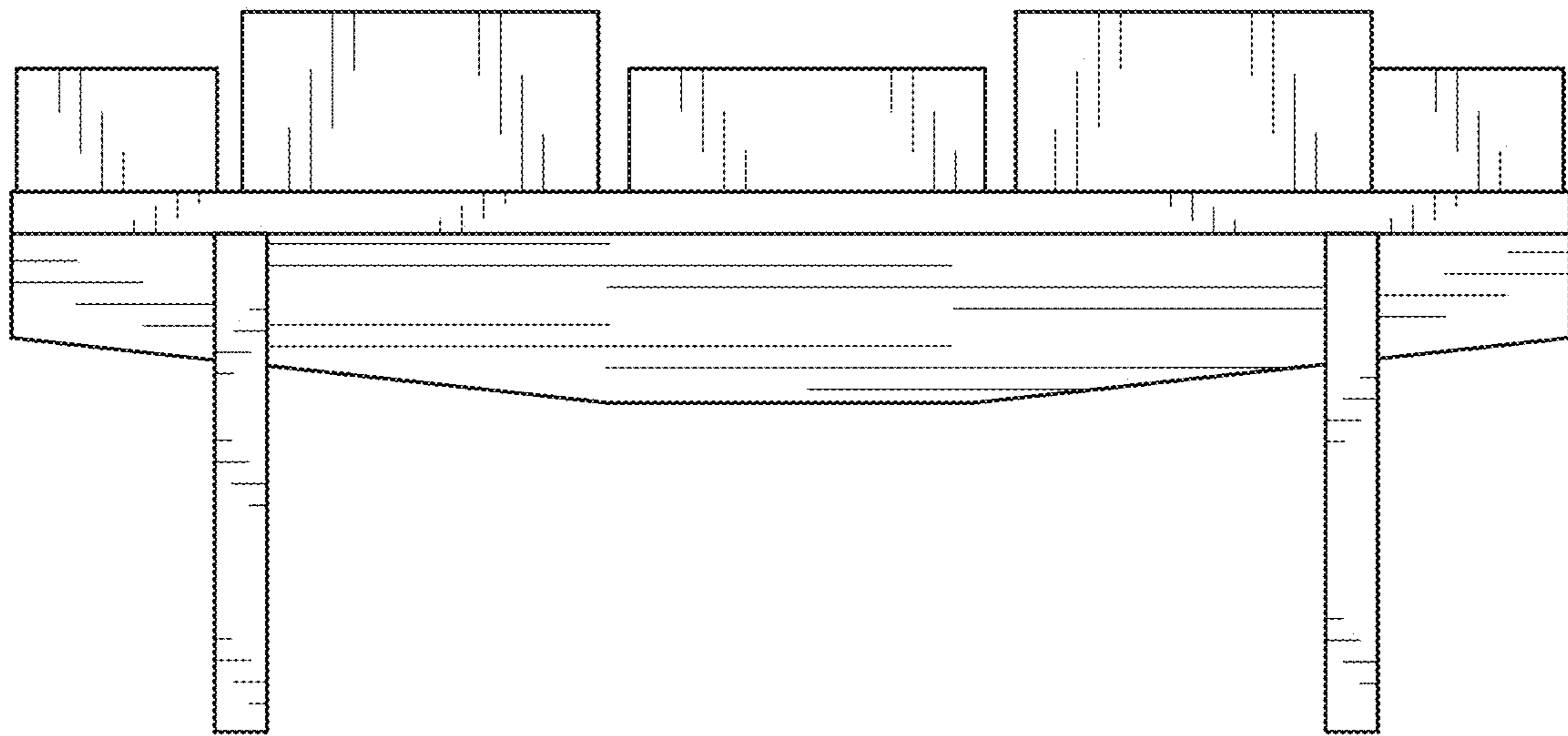


FIG. 8