



US00D873919S

(12) **United States Design Patent**  
**Emmerson**

(10) **Patent No.:** **US D873,919 S**

(45) **Date of Patent:** **\*\* Jan. 28, 2020**

(54) **FOOTBALL BEAN BAG GAME WITH FIELD GOAL OPTION**

(71) Applicant: **Bryan Alston Emmerson**, Salem, VA (US)

(72) Inventor: **Bryan Alston Emmerson**, Salem, VA (US)

(\*\*) Term: **15 Years**

(21) Appl. No.: **29/656,302**

(22) Filed: **Jul. 11, 2018**

(51) **LOC (12) Cl.** ..... **21-01**

(52) **U.S. Cl.**  
USPC ..... **D21/303**

(58) **Field of Classification Search**  
USPC ..... D21/300–303, 319, 355, 342, 386, 699, D21/705, 771, 780, 789, 790, 791, D21/804.805; 473/164, 172, 197, 436  
CPC ..... A63B 65/00; A63B 1/00; A63B 67/00; A63B 63/00; A63B 63/04; A63B 63/045; A63F 1/067; A47B 25/00  
See application file for complete search history.

(56) **References Cited**

**U.S. PATENT DOCUMENTS**

D201,688 S *	7/1965	Gleman	.....	D21/319
4,183,531 A *	1/1980	White	.....	A63F 7/0608 273/247
D281,084 S	10/1985	Norton		
4,550,911 A *	11/1985	Daley	.....	A63F 7/305 273/317.5
D330,227 S	10/1992	Franklin et al.		
D359,538 S *	6/1995	Hague	.....	D21/705
D363,613 S *	10/1995	Ehrmann	.....	D6/316
D390,292 S *	2/1998	Hoag	.....	D21/705
D393,380 S *	4/1998	White	.....	D21/302
6,439,575 B1 *	8/2002	Castellanos	.....	A63F 7/06 273/108.4

D500,105 S *	12/2004	Szaroletta	.....	D21/699
D531,685 S *	11/2006	Frankel	.....	D21/699
7,325,807 B1 *	2/2008	Eason	.....	A63F 7/0005 273/342
D576,685 S *	9/2008	Queally	.....	D21/302
D635,196 S *	3/2011	Voden	.....	D21/302
D685,353 S *	7/2013	Wilkinson	.....	D14/239
D688,749 S	8/2013	Pavony		
D706,353 S *	6/2014	Montenare	.....	D21/303
D706,355 S	6/2014	Montenare		
D748,198 S *	1/2016	Nally	.....	D21/302

(Continued)

*Primary Examiner* — Kevin K Rudzinski

*Assistant Examiner* — Mehri F Bajoul

(74) *Attorney, Agent, or Firm* — New River Valley IP Law, P.C.; Michele L. Mayberry

(57) **CLAIM**

The ornamental design for a football bean bag game with field goal option, as shown and described.

**DESCRIPTION**

FIG. 1 is a front perspective view of a football bean bag game with field goal option showing my new design.

FIG. 2 is a top plan view of the football bean bag game with field goal option of FIG. 1.

FIG. 3 is a bottom plan view of the football bean bag game with field goal option of FIG. 1.

FIG. 4 is a front elevation view of the football bean bag game with field goal option of FIG. 1.

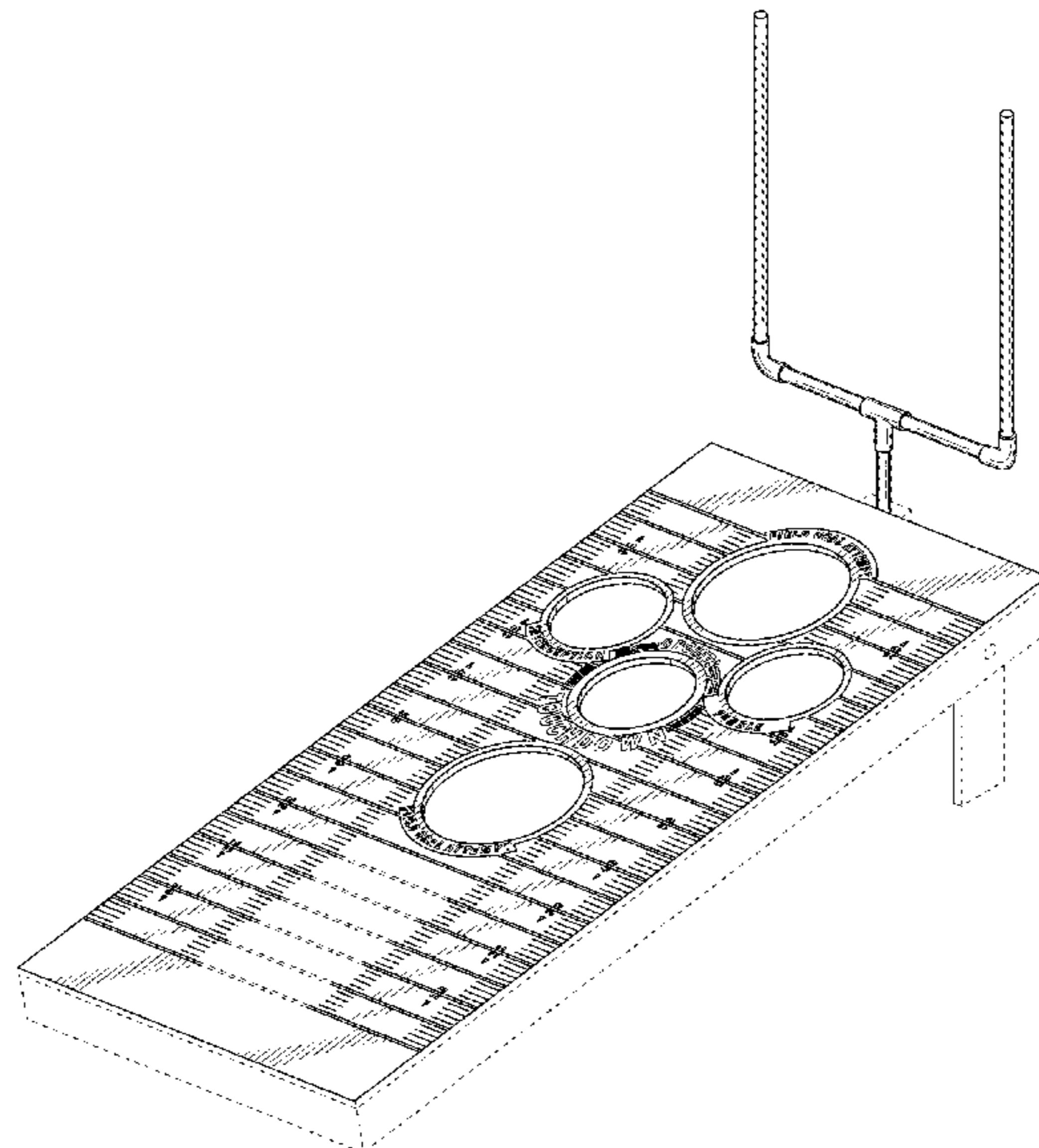
FIG. 5 is a rear elevation view of the football bean bag game with field goal option of FIG. 1.

FIG. 6 is a left side elevation view of the football bean bag game with field goal option of FIG. 1; and,

FIG. 7 is a right side elevation view of the football bean bag game with field goal option of FIG. 1.

In the drawings, the broken lines depict portions of the football bean bag game with field goal option and from no part of the claimed design.

**1 Claim, 7 Drawing Sheets**



(56)

**References Cited**

U.S. PATENT DOCUMENTS

D763,358	S *	8/2016	Quick .....	D21/303
D806,172	S	12/2017	Wolters	
D807,963	S *	1/2018	Zandonella .....	D21/303
D835,202	S *	12/2018	Nugent .....	D21/385
D838,791	S *	1/2019	Schneider .....	D21/699
2008/0042360	A1	2/2008	Veikley	
2009/0115136	A1 *	5/2009	Voden .....	A63B 21/0053 273/336
2010/0164175	A1	7/2010	Buchanan	
2012/0038108	A1 *	2/2012	McLaughlin, Jr. ....	A63B 63/08 273/402
2016/0023095	A1 *	1/2016	Nally .....	A63B 67/06 273/343
2016/0038809	A1	2/2016	Rockwell	
2017/0173427	A1	6/2017	Wolters	
2018/0036630	A1 *	2/2018	Wilder .....	A63B 67/06
2018/0056155	A1 *	3/2018	McAuley .....	A63B 63/08

\* cited by examiner

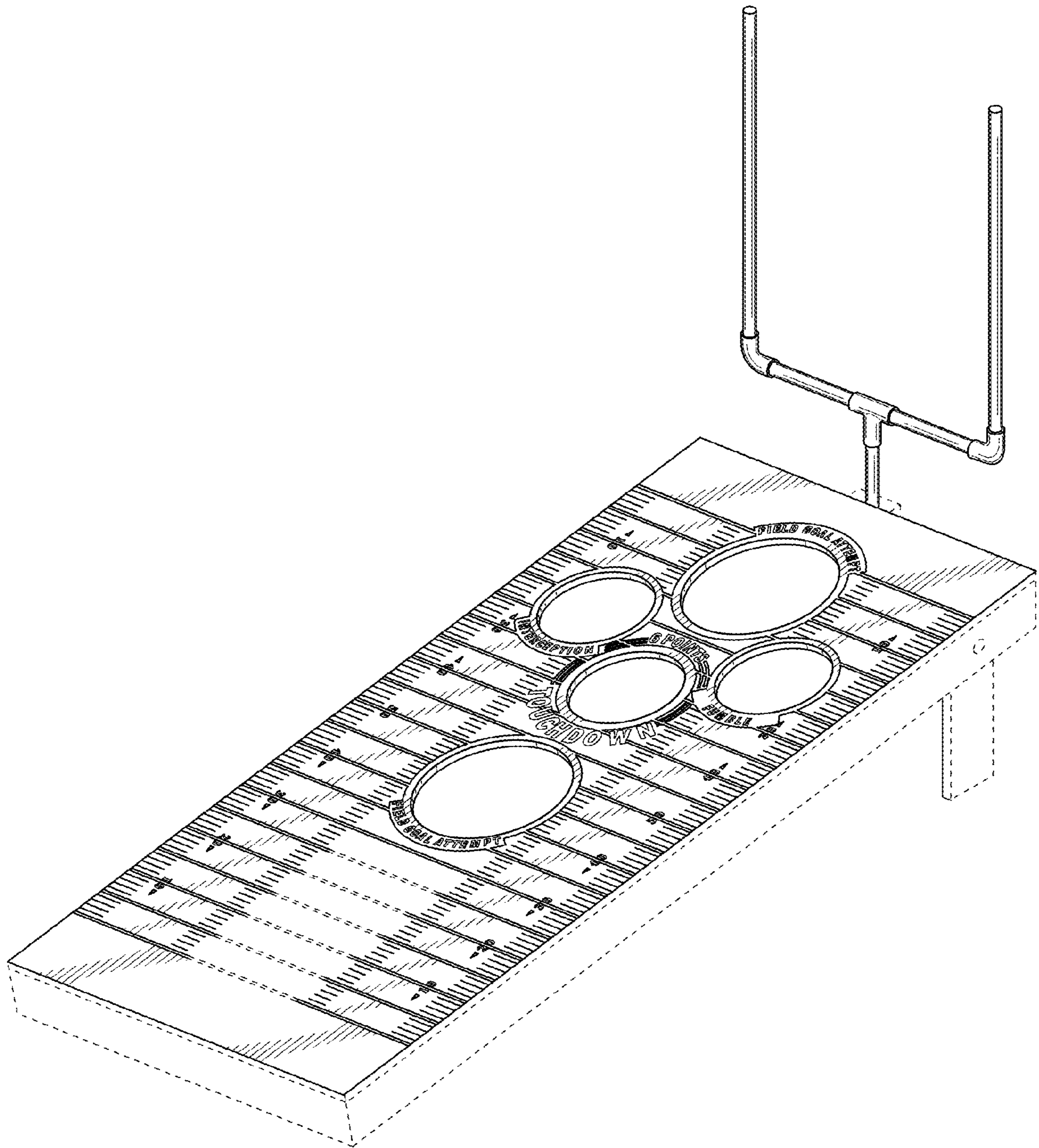


FIG. 1



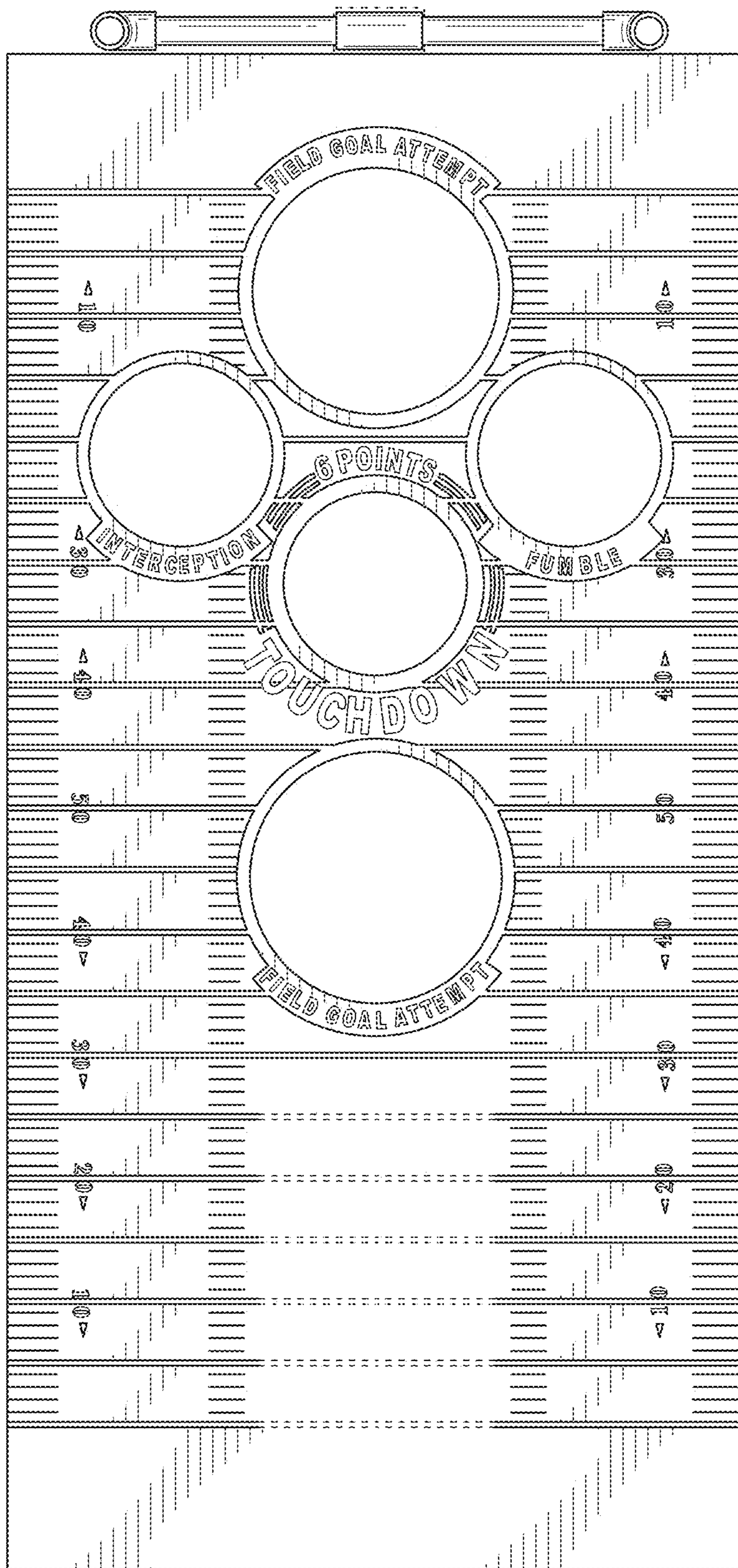


FIG. 2

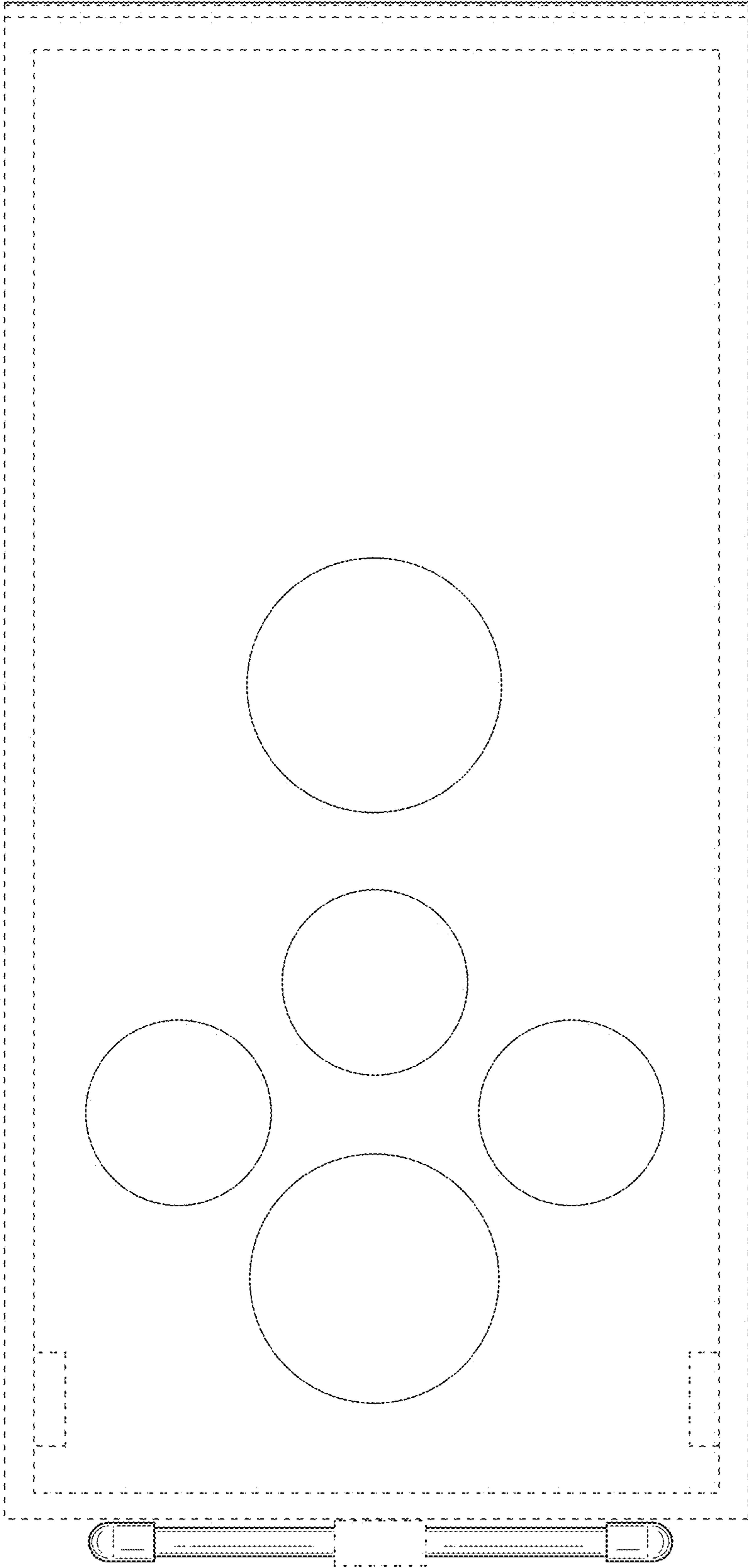


FIG. 3

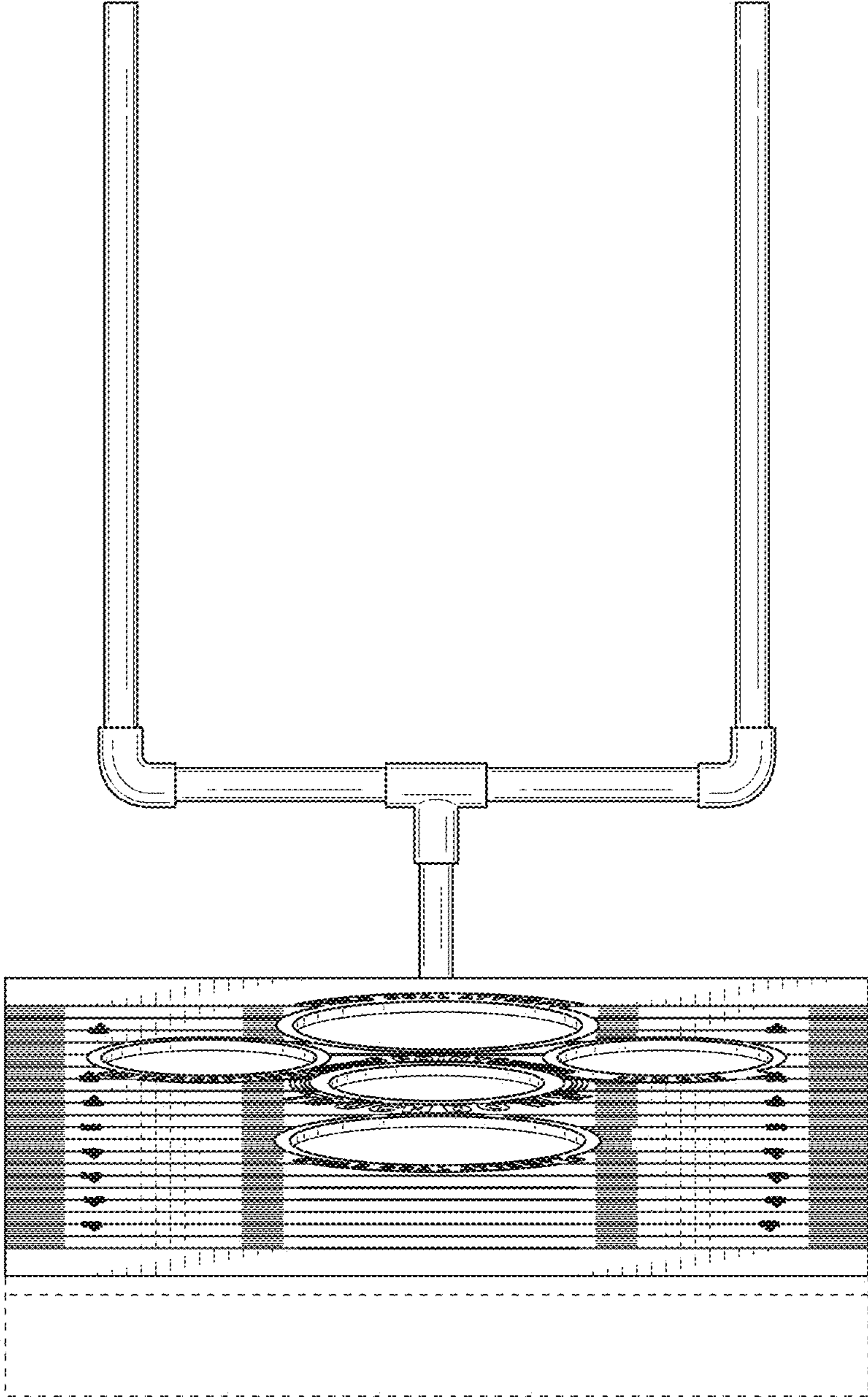


FIG. 4

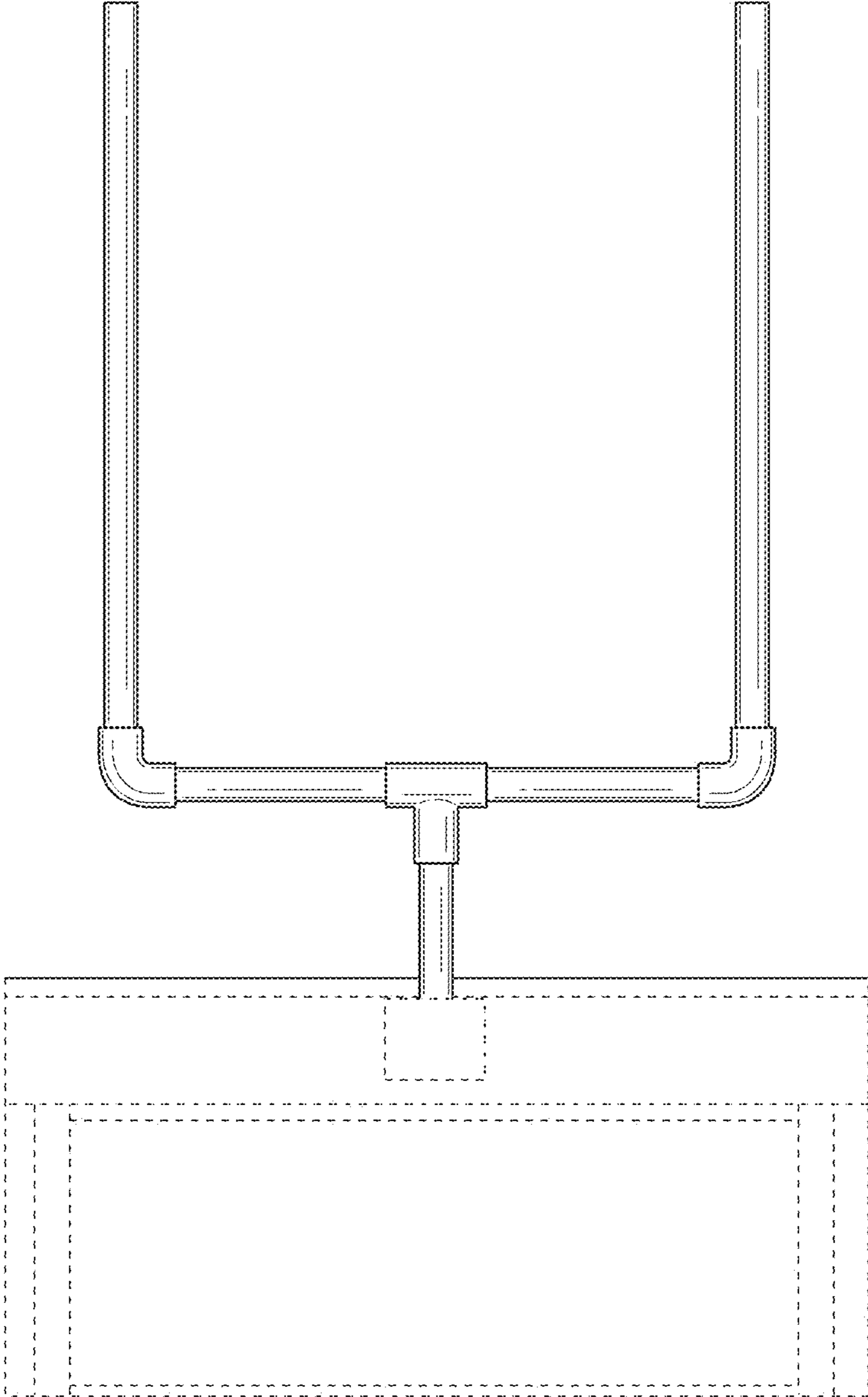


FIG. 5

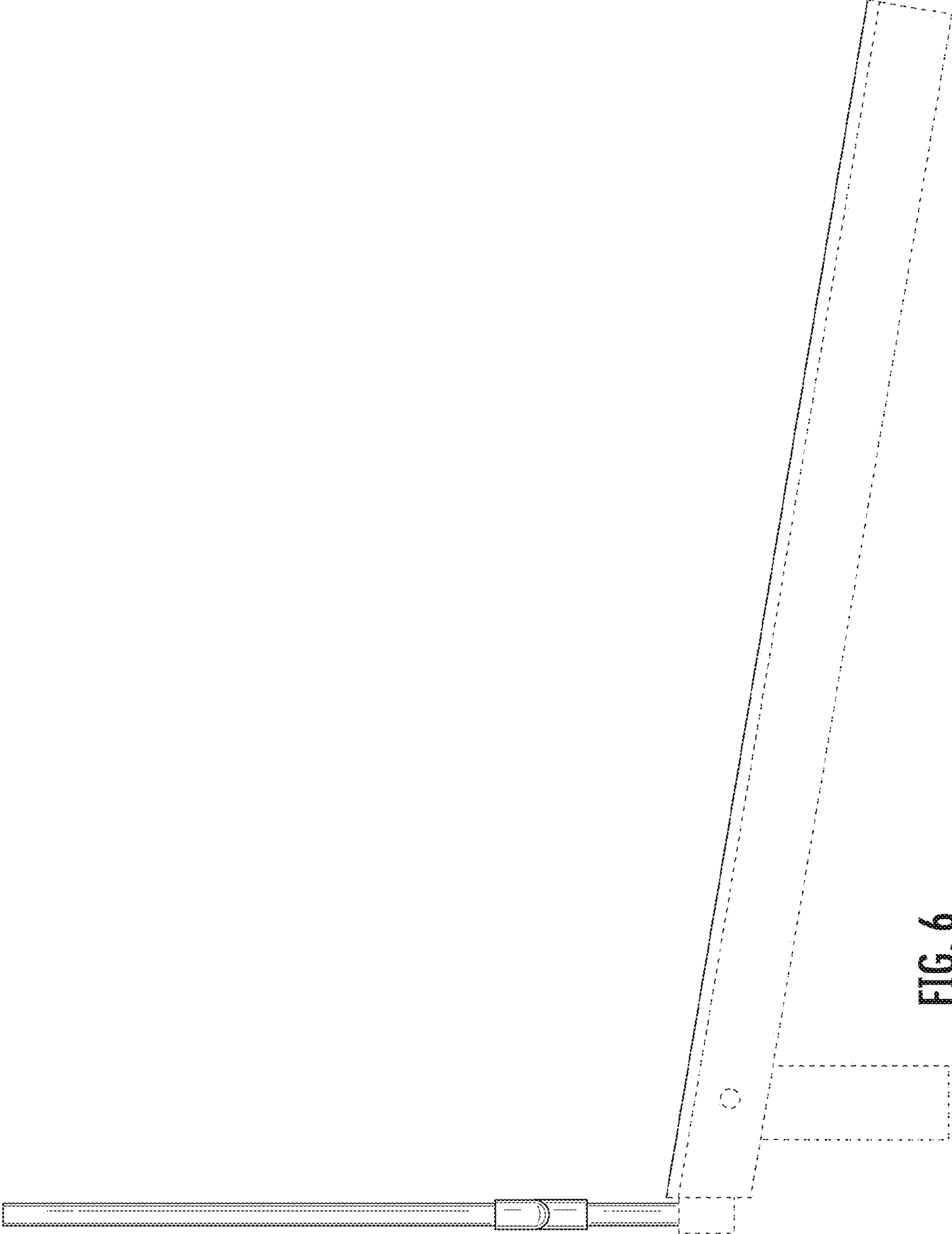


FIG. 6



