



US00D873918S

(12) **United States Design Patent** (10) **Patent No.:** **US D873,918 S**
Allen (45) **Date of Patent:** **** Jan. 28, 2020**

(54) **TOSS GAME**
(71) Applicant: **Christopher Allen**, Charlotte, NC (US)
(72) Inventor: **Christopher Allen**, Charlotte, NC (US)
(**) Term: **15 Years**
(21) Appl. No.: **29/618,529**
(22) Filed: **Sep. 21, 2017**

6,669,200 B1 * 12/2003 Knetsch A63B 63/007
273/400
7,134,662 B2 * 11/2006 Menendez A63B 67/06
273/400
D691,660 S * 10/2013 Shea D21/303
D706,494 S * 6/2014 Hansen D30/121
9,248,357 B2 * 2/2016 Francis A63B 63/00
9,707,461 B1 * 7/2017 McKnight A63B 67/06
9,724,579 B1 * 8/2017 Allen A63B 67/06
9,987,537 B1 * 6/2018 Allen A63B 67/06
2005/0051968 A1 * 3/2005 Froesel A63B 67/06
273/336

(Continued)

Related U.S. Application Data

(63) Continuation-in-part of application No. 14/179,516,
filed on Feb. 12, 2014, now Pat. No. 9,987,537.
(51) **LOC (12) Cl.** **21-01**
(52) **U.S. Cl.**
USPC **D21/302**
(58) **Field of Classification Search**
USPC D21/300, 301, 302, 303, 304, 318, 319,
D21/322, 334, 335, 336, 341, 342, 343,
D21/365, 385, 386, 390, 789, 790, 791,
D21/396, 397, 129, 131; D6/302, 309,
D6/310, 312, 332; 273/17, 331, 336,
273/398, 400, 402, 407, 408, 410, 118 R,
273/123 R, 348, 386
CPC A63B 67/06; A63B 63/00; A63B 63/08;
A63B 67/00; A63B 71/00
See application file for complete search history.

Primary Examiner — Kevin K Rudzinski
Assistant Examiner — Mehri F Bajoul
(74) *Attorney, Agent, or Firm* — Tillman Wright, PLLC;
James D. Wright; David R. Higgins

(57) **CLAIM**

The ornamental design for a toss game, as shown and described.

DESCRIPTION

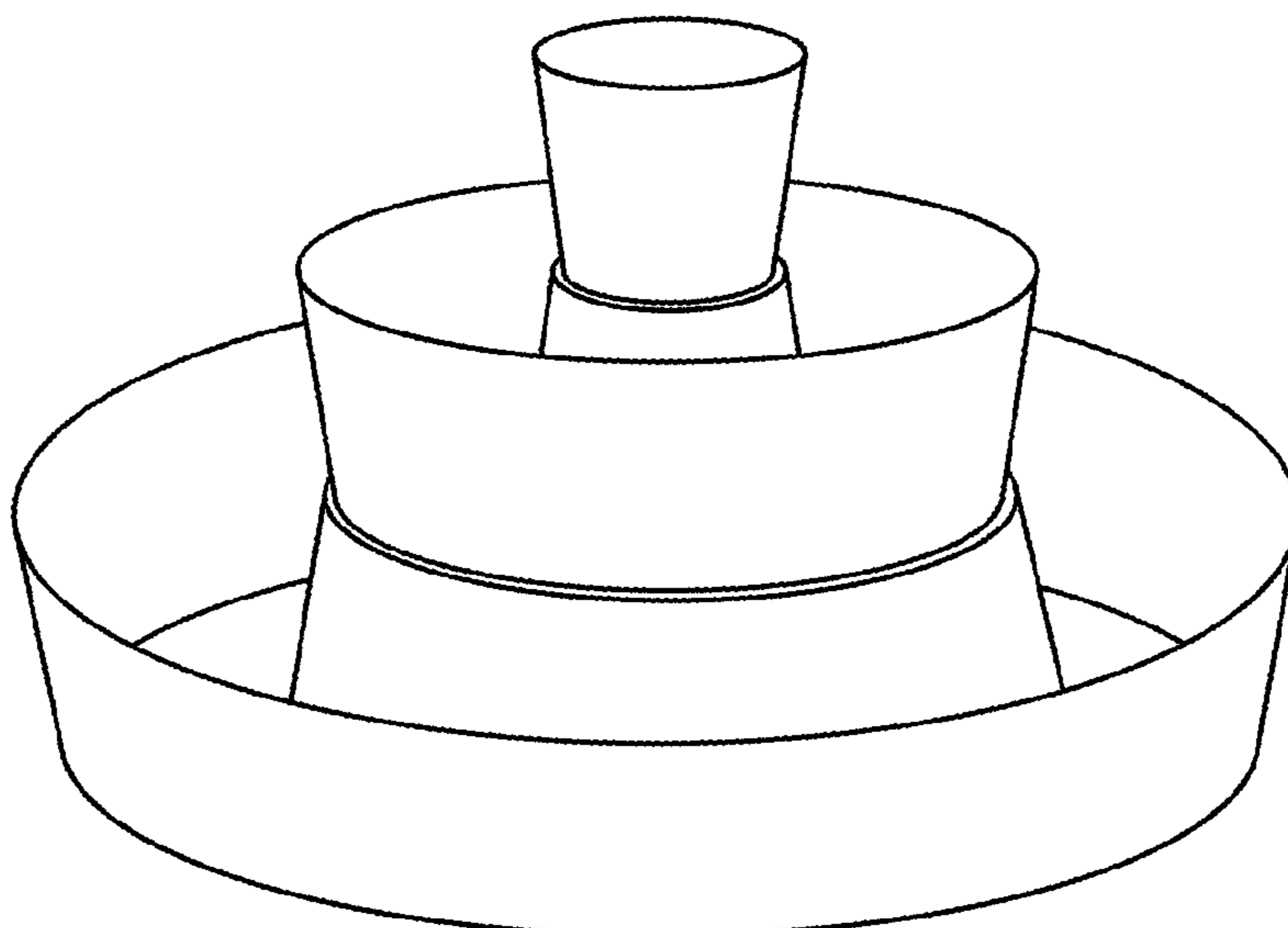
FIG. 1 is a front perspective view of the design for a toss gamed in accordance with the present invention, shown in a stacked configuration;
FIG. 2 is a front view of the toss game of FIG. 1;
FIG. 3 is a top view of the toss game of FIG. 1;
FIG. 4 is a bottom view of the toss game of FIG. 1;
FIG. 5 is a side cross-sectional view of the toss game of FIG. 2, taken along line 5-5; and
FIG. 6 is a front view of the toss game of FIG. 1, shown in a nested configuration;
FIG. 7 is a bottom view of the toss game of FIG. 6;
FIG. 8 is a top view of the toss game of FIG. 6; and
FIG. 9 is a side cross-sectional view of the toss game of FIG. 6, taken along line 9-9.
Portions of the design shown in broken lines form no part of the claimed design.

(56) **References Cited**

U.S. PATENT DOCUMENTS

4,392,653 A * 7/1983 Blume, Sr. A63B 67/06
273/400
5,052,693 A * 10/1991 Hicks A63B 67/06
273/336
5,123,656 A * 6/1992 Green A63B 67/06
273/400
D329,666 S * 9/1992 Dougherty D21/303
D415,533 S * 10/1999 Shost, Jr. D21/303
D434,453 S * 11/2000 Kenyon D21/303

1 Claim, 9 Drawing Sheets



(56)

References Cited

U.S. PATENT DOCUMENTS

2010/0320692 A1 * 12/2010 Tookey A63B 63/08
273/398

* cited by examiner

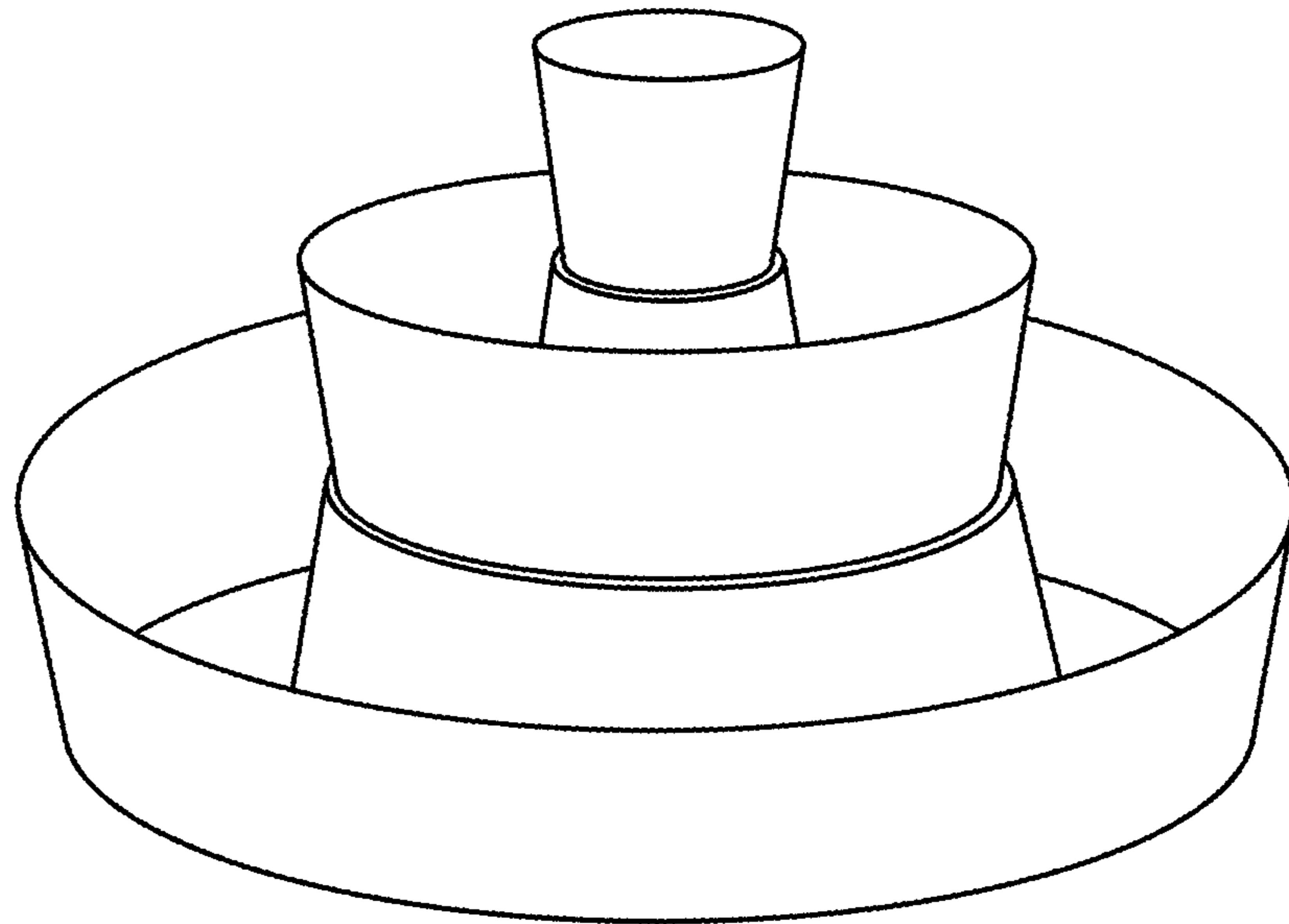


FIG. 1

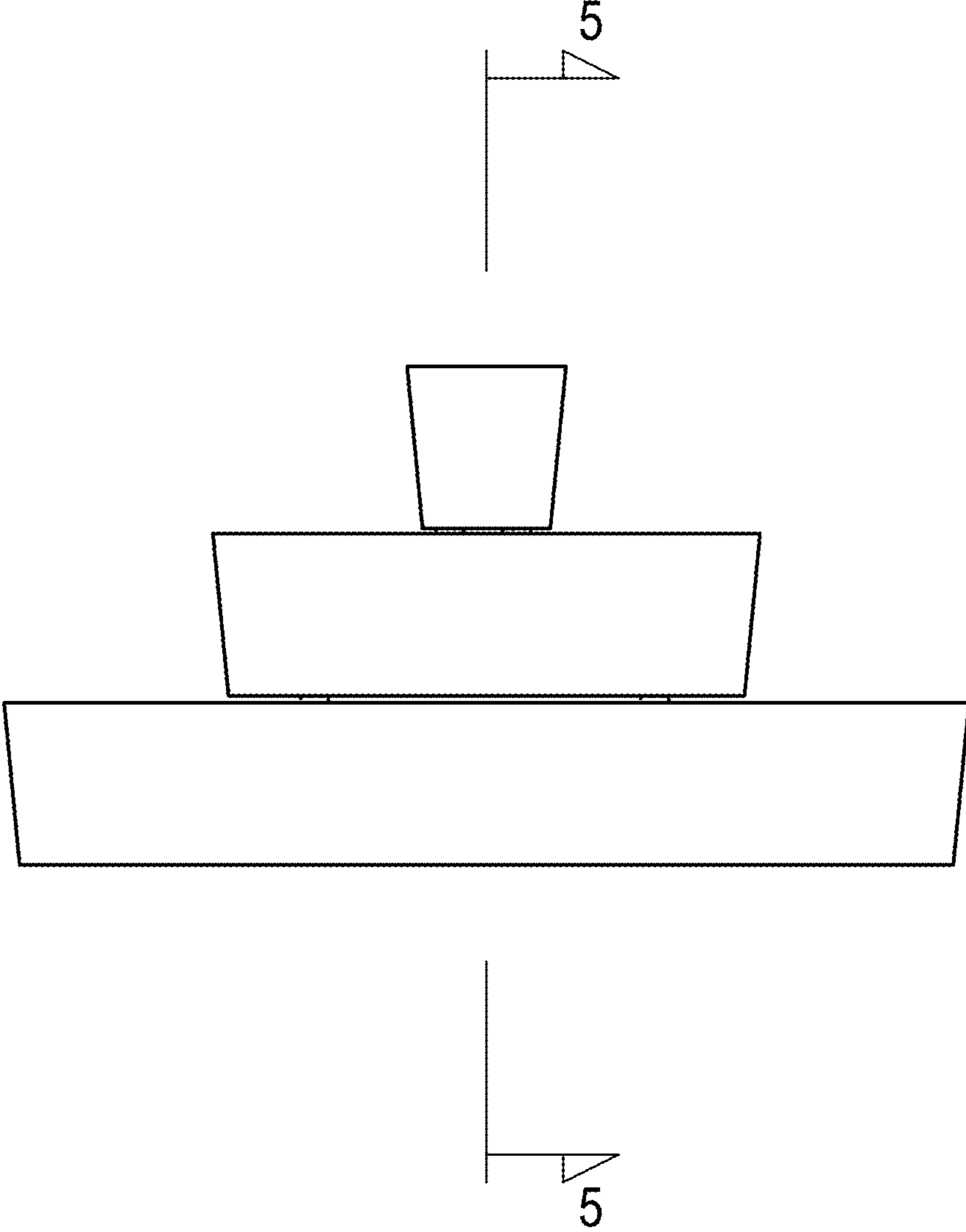


FIG. 2

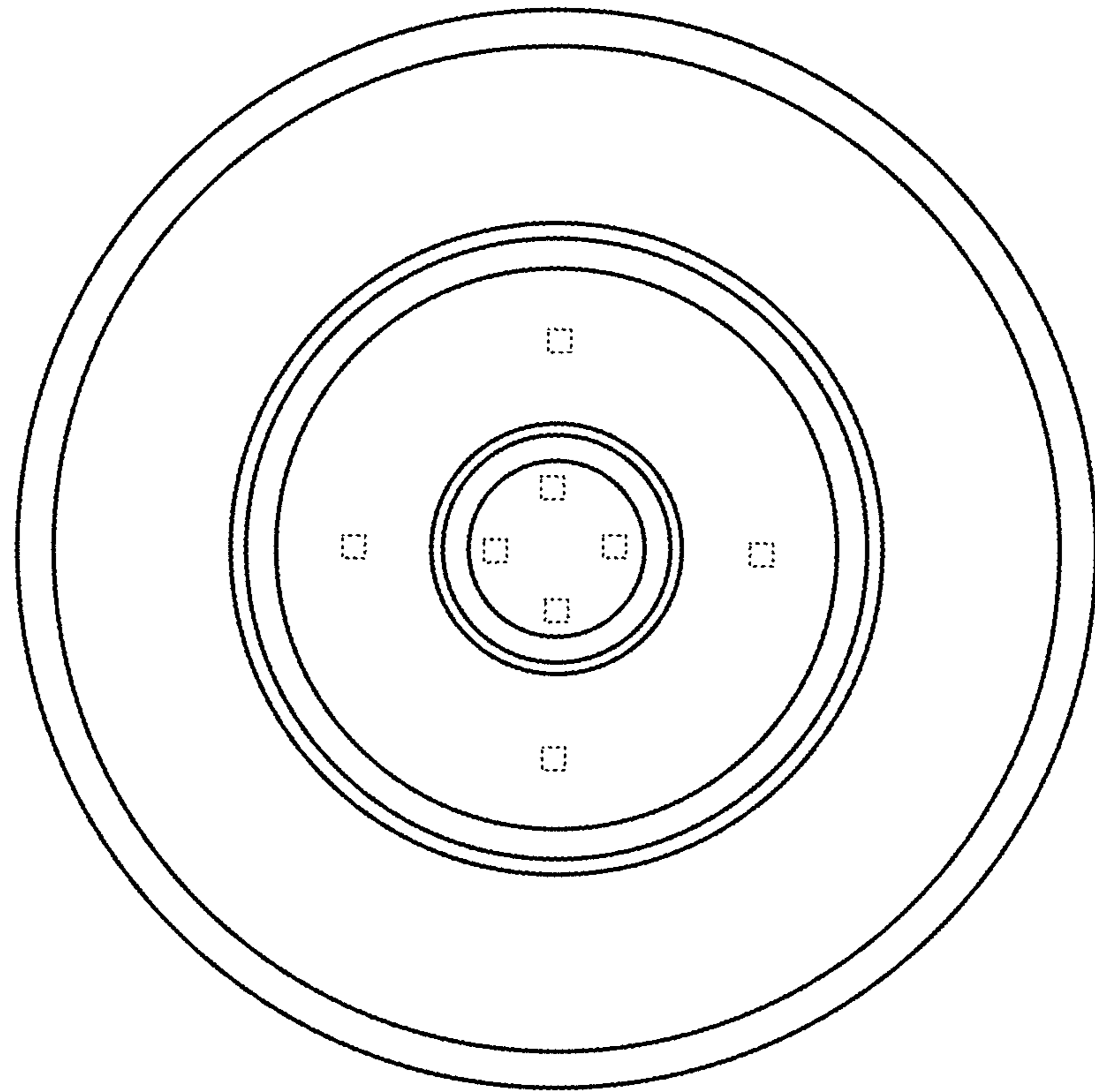


FIG. 3

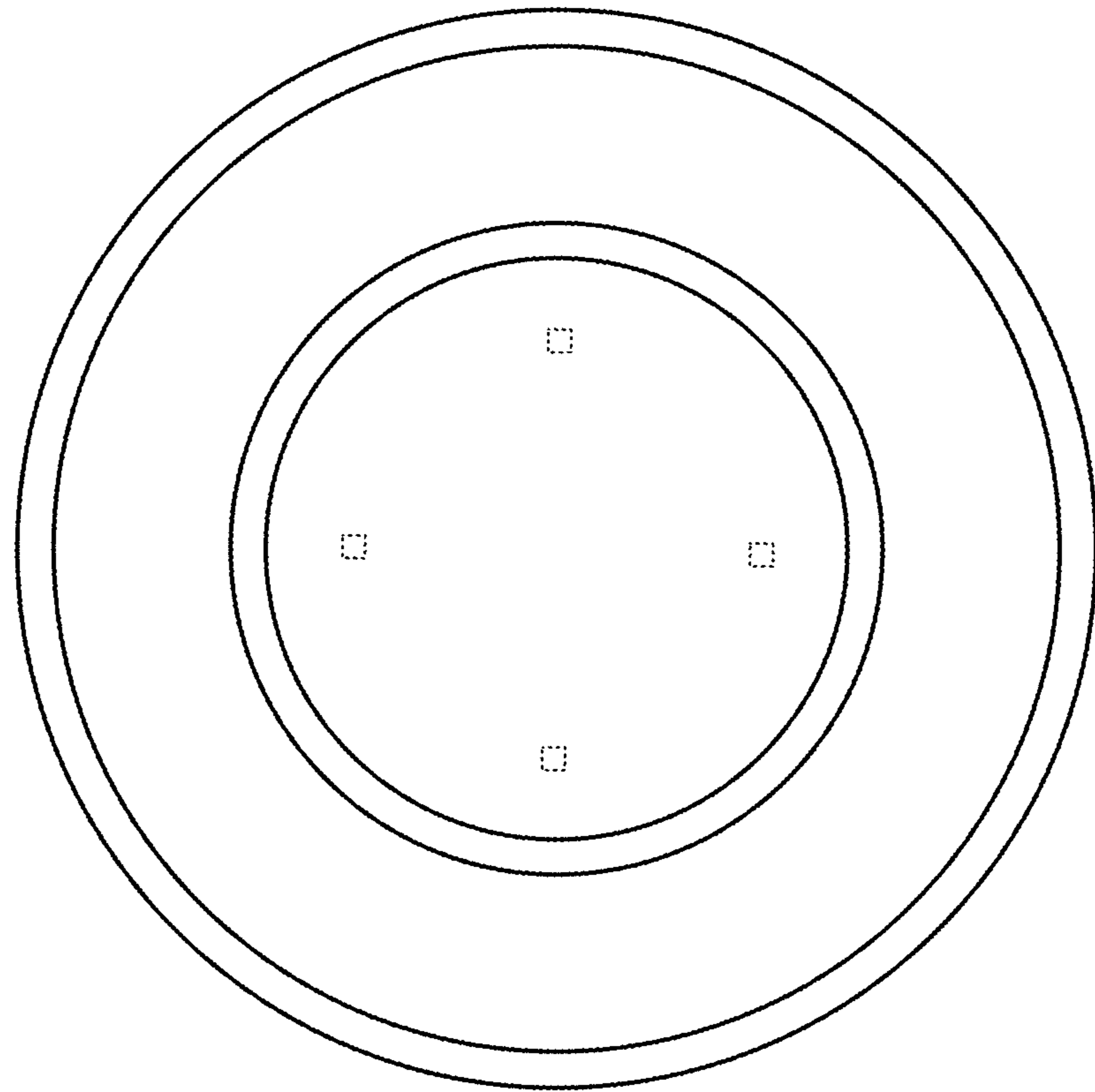


FIG. 4

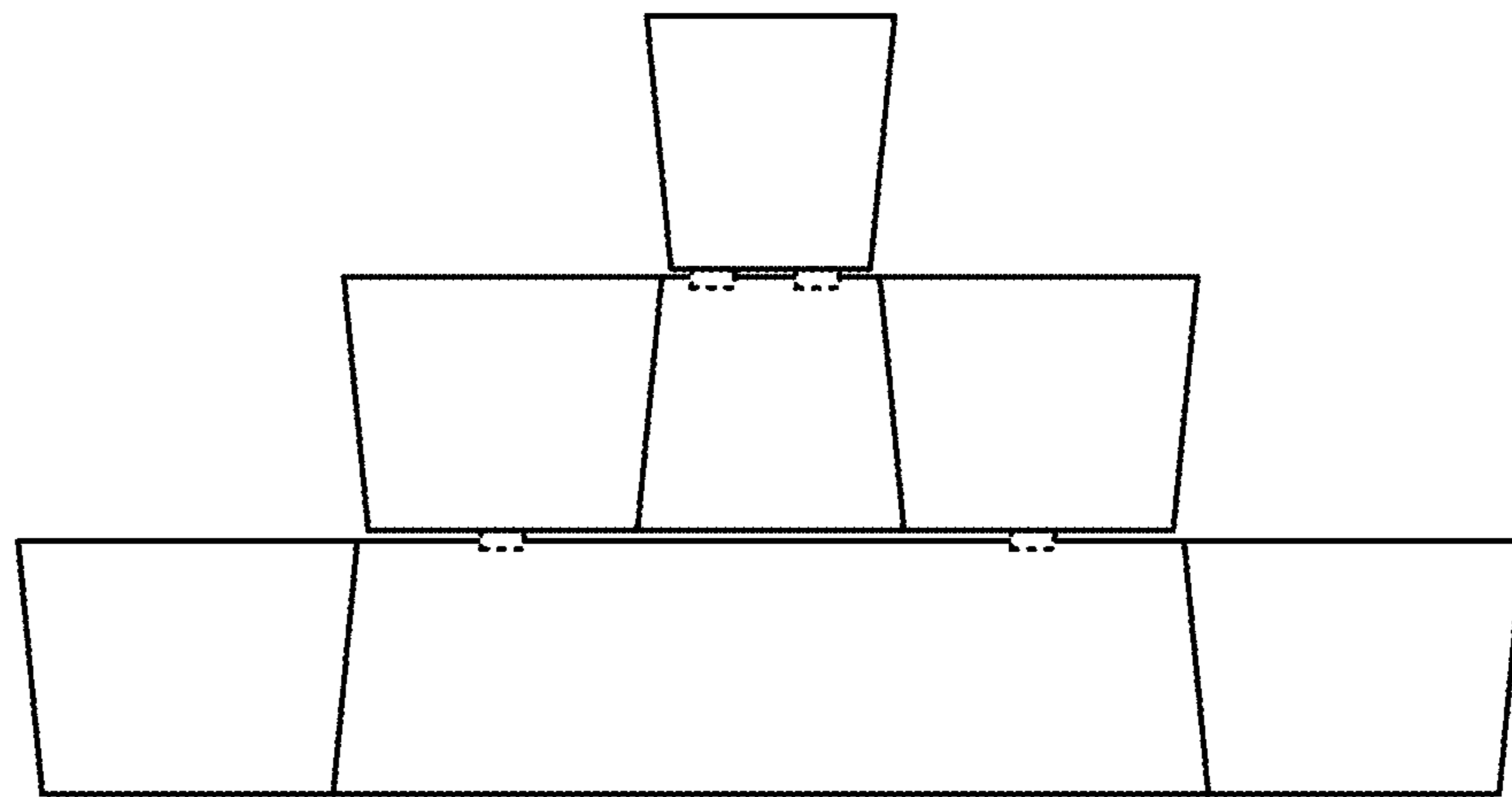


FIG. 5

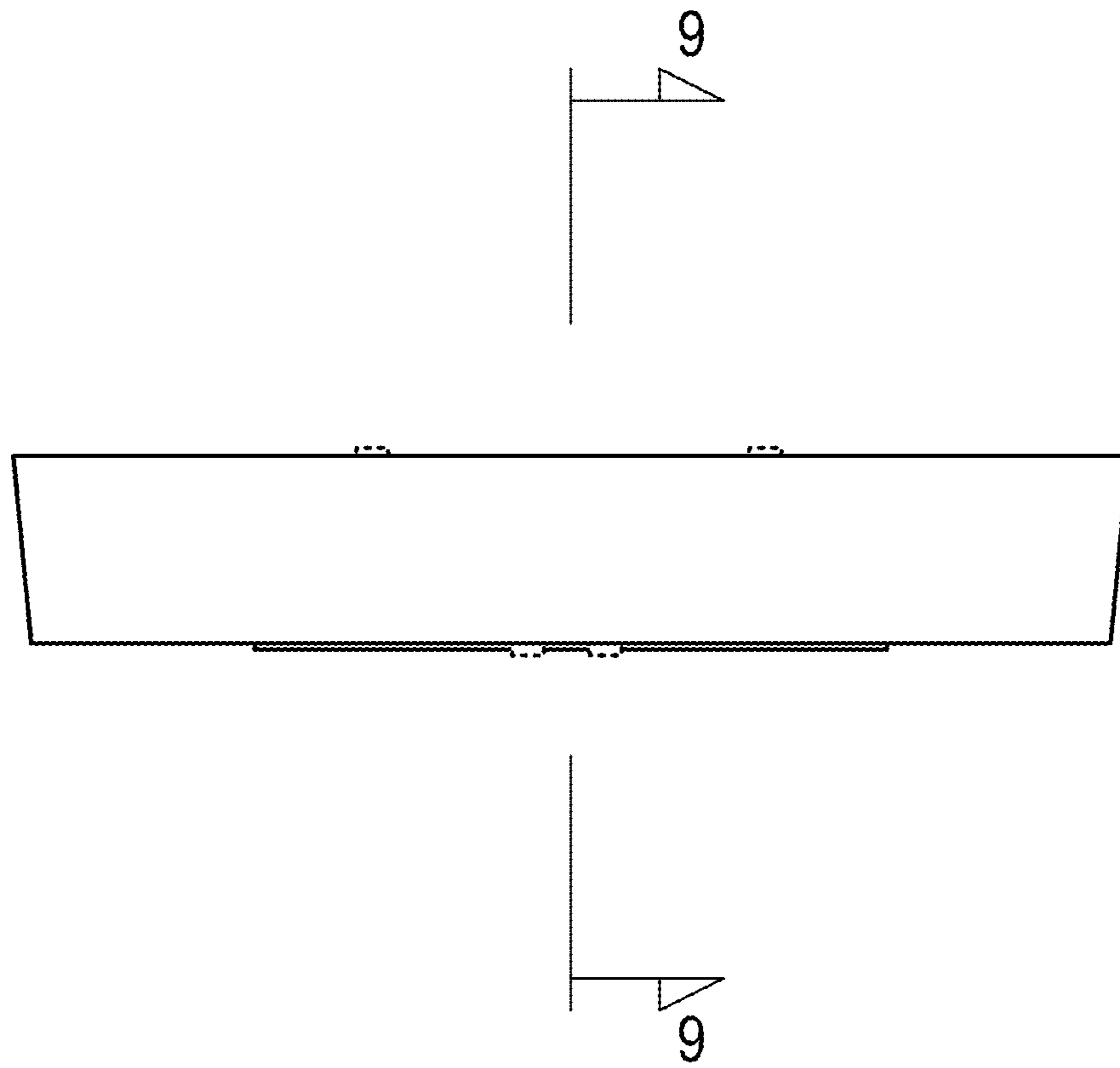


FIG. 6

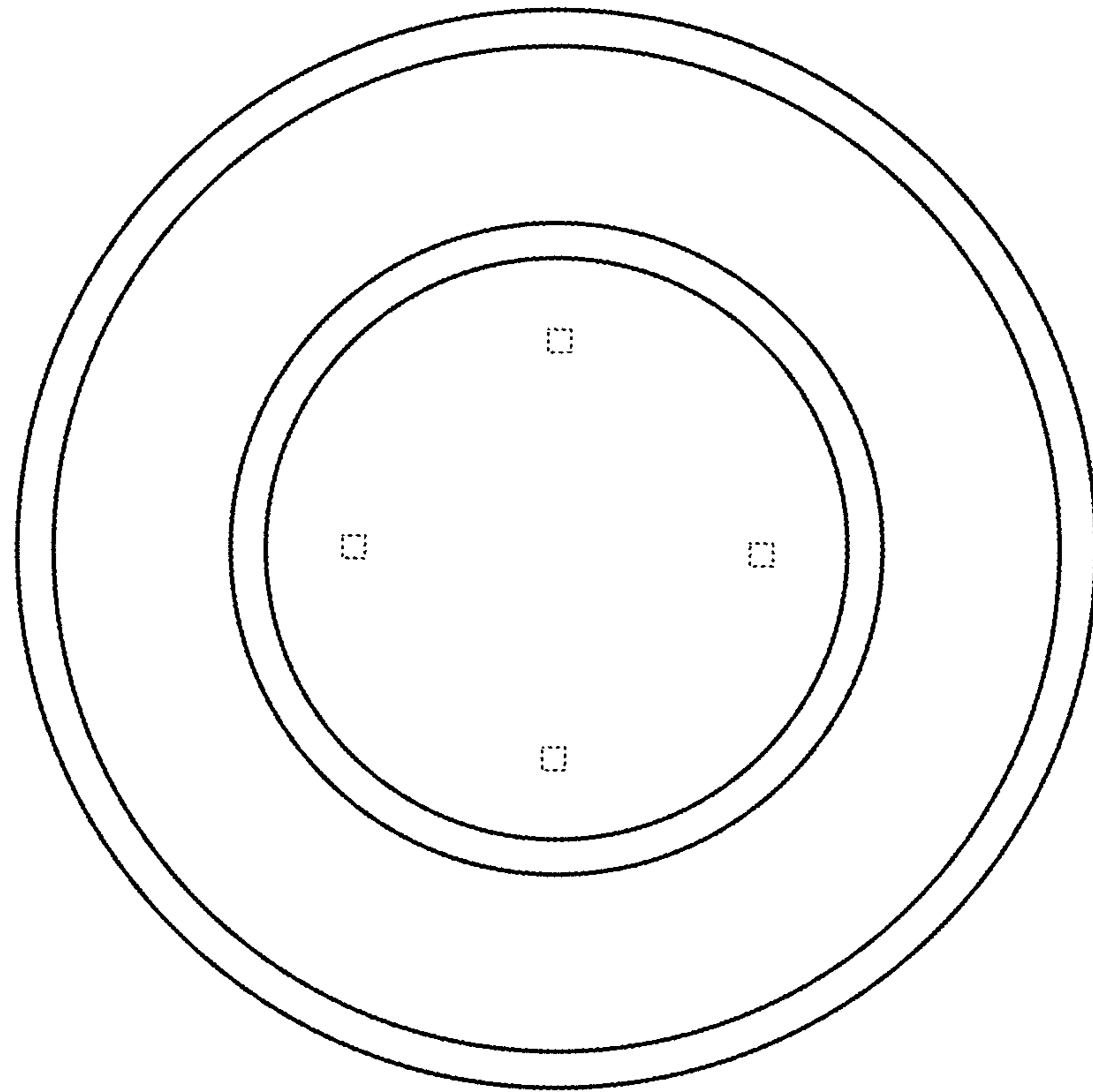


FIG. 7

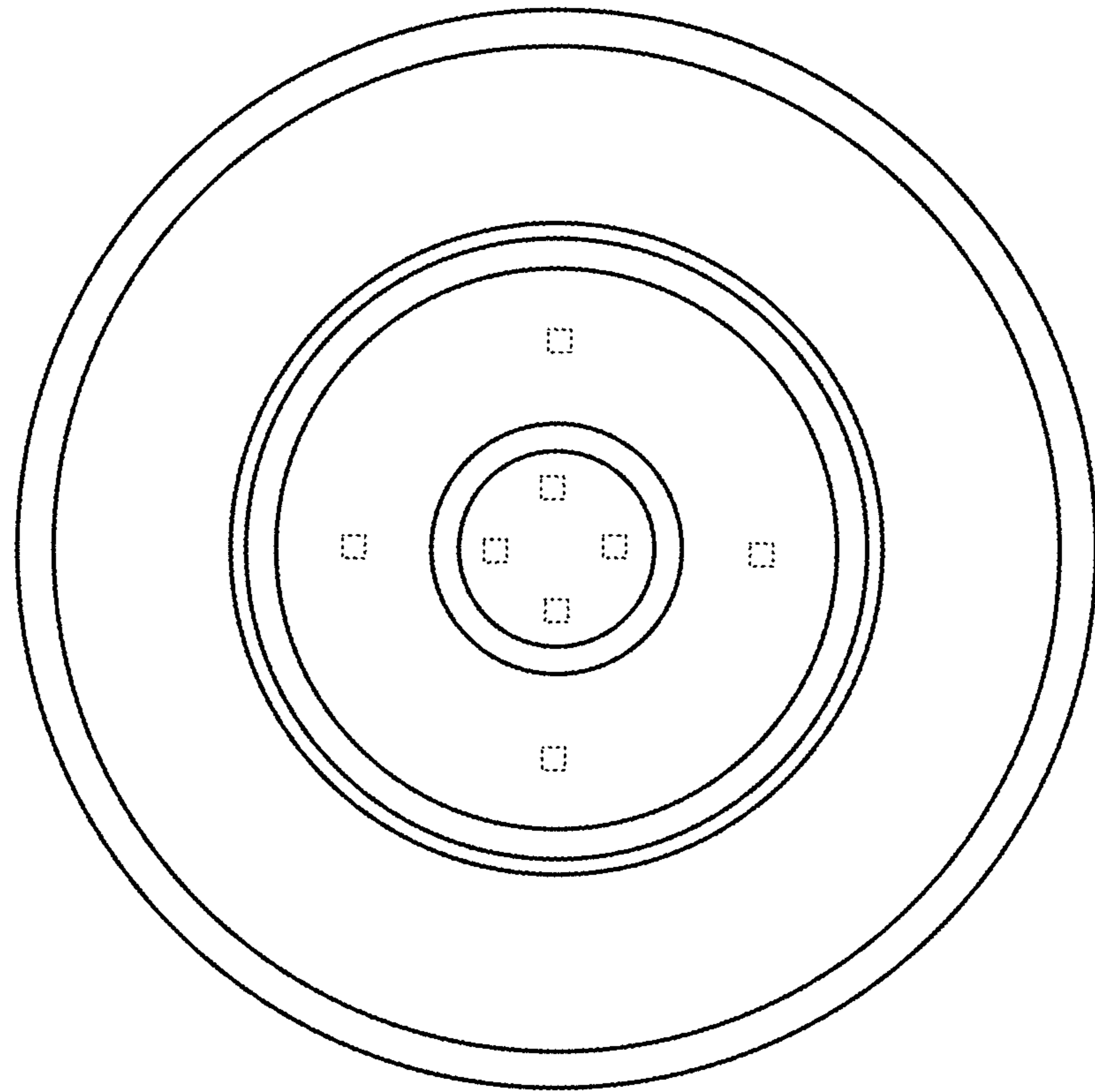


FIG. 8

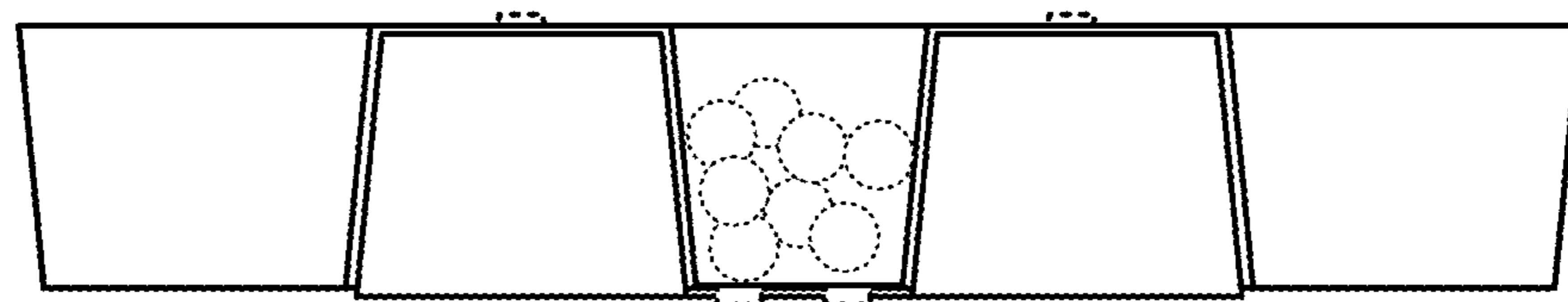


FIG. 9