



US00D873915S

(12) **United States Design Patent**
Nash et al.

(10) **Patent No.:** **US D873,915 S**
(45) **Date of Patent:** **** Jan. 28, 2020**

(54) **TAPE DISPENSER**

(71) Applicant: **3M INNOVATIVE PROPERTIES COMPANY**, St. Paul, MN (US)

(72) Inventors: **James E. Nash**, Bloomington, MN (US); **Aaron P. White**, Menomonie, WI (US)

(73) Assignee: **3M Innovative Properties Company**, Saint Paul, MN (US)

(**) Term: **15 Years**

(21) Appl. No.: **29/658,572**

(22) Filed: **Aug. 1, 2018**

(51) **LOC (12) Cl.** **19-02**

(52) **U.S. Cl.**
USPC **D19/69**

(58) **Field of Classification Search**
USPC D19/65-69; D6/515; D8/395, 394;
D9/723, 724, 727, 730, 734, 504, 529
CPC B65H 35/00; B65H 35/0026; B65H
35/0033; B65H 35/0073; B65H 35/008;
B65H 35/06; B65H 37/005; B65H 37/007
See application file for complete search history.

(56) **References Cited**

U.S. PATENT DOCUMENTS

D116,599 S * 9/1939 Reinecke D19/69
2,519,652 A * 8/1950 Hargrave D06F 55/00
24/508
D164,556 S * 9/1951 Donkin D19/69
D170,429 S * 9/1953 Reinecke D19/69
3,498,512 A * 3/1970 Golemon B65H 35/0026
225/21
3,727,868 A 4/1973 Buchanan
D242,452 S * 11/1976 Brown, Sr. D19/69
D315,576 S * 3/1991 En D19/69
5,996,932 A * 12/1999 Wang B65H 35/0026
242/598.5

D502,508 S * 3/2005 Hung D19/67
6,971,431 B2 * 12/2005 Steinberger B65H 35/0033
156/527
D519,360 S * 4/2006 Naden D8/395
D525,117 S * 7/2006 Mariano D8/395
D539,352 S * 3/2007 Farce D19/69

(Continued)

FOREIGN PATENT DOCUMENTS

KR 3010104370000 6/2019
TW M280376 11/2005

(Continued)

OTHER PUBLICATIONS

Nash, U.S. Appl. No. 62/620,100, filed Jan. 22, 2018, entitled "Tape Dispenser with Mount and Rotation Mechanism".

Primary Examiner — Elizabeth A. Albert
(74) *Attorney, Agent, or Firm* — 3M Innovative Properties Company; Eric E. Silverman

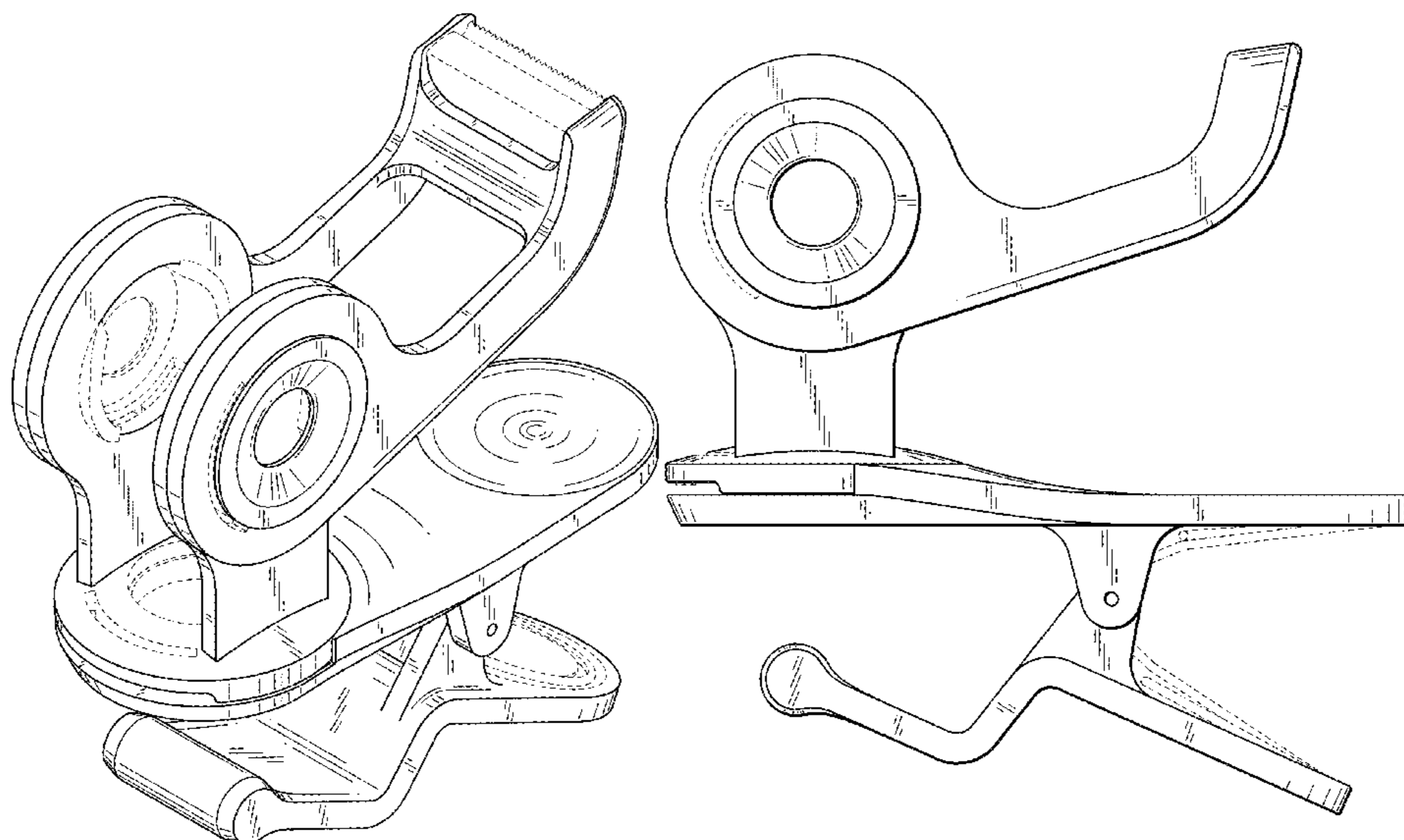
(57) **CLAIM**

The ornamental design for a tape dispenser, as shown and described.

DESCRIPTION

FIG. 1 is a perspective view showing the new design for a tape dispenser;
FIG. 2 is a front view thereof;
FIG. 3 is a rear view thereof;
FIG. 4 is a right side view thereof;
FIG. 5 is a left side view thereof;
FIG. 6 is a bottom view thereof;
FIG. 7 is a top view thereof; and,
FIG. 8 is a perspective view thereof with a tape.
The portions of the tape dispenser in FIGS. 1-8 shown in broken lines are included to show features that form no part of the claimed design.

1 Claim, 6 Drawing Sheets



(56)

References Cited

U.S. PATENT DOCUMENTS

7,186,458 B2 * 3/2007 Pearson B32B 7/12
428/343
D540,388 S * 4/2007 Weinstein D19/69
D593,609 S * 6/2009 Blau D19/65
D596,909 S 7/2009 Shevin-Sandy
D599,651 S * 9/2009 Riggsbee D8/395
D640,324 S * 6/2011 Broen D19/69
D640,325 S * 6/2011 Broen D19/69
D667,724 S * 9/2012 Mangano D8/395
D741,161 S * 10/2015 Buresh, II D8/395
D788,575 S * 6/2017 Kim D8/395

FOREIGN PATENT DOCUMENTS

TW M336256 7/2008
TW M463250 10/2013
TW M506138 8/2015

* cited by examiner

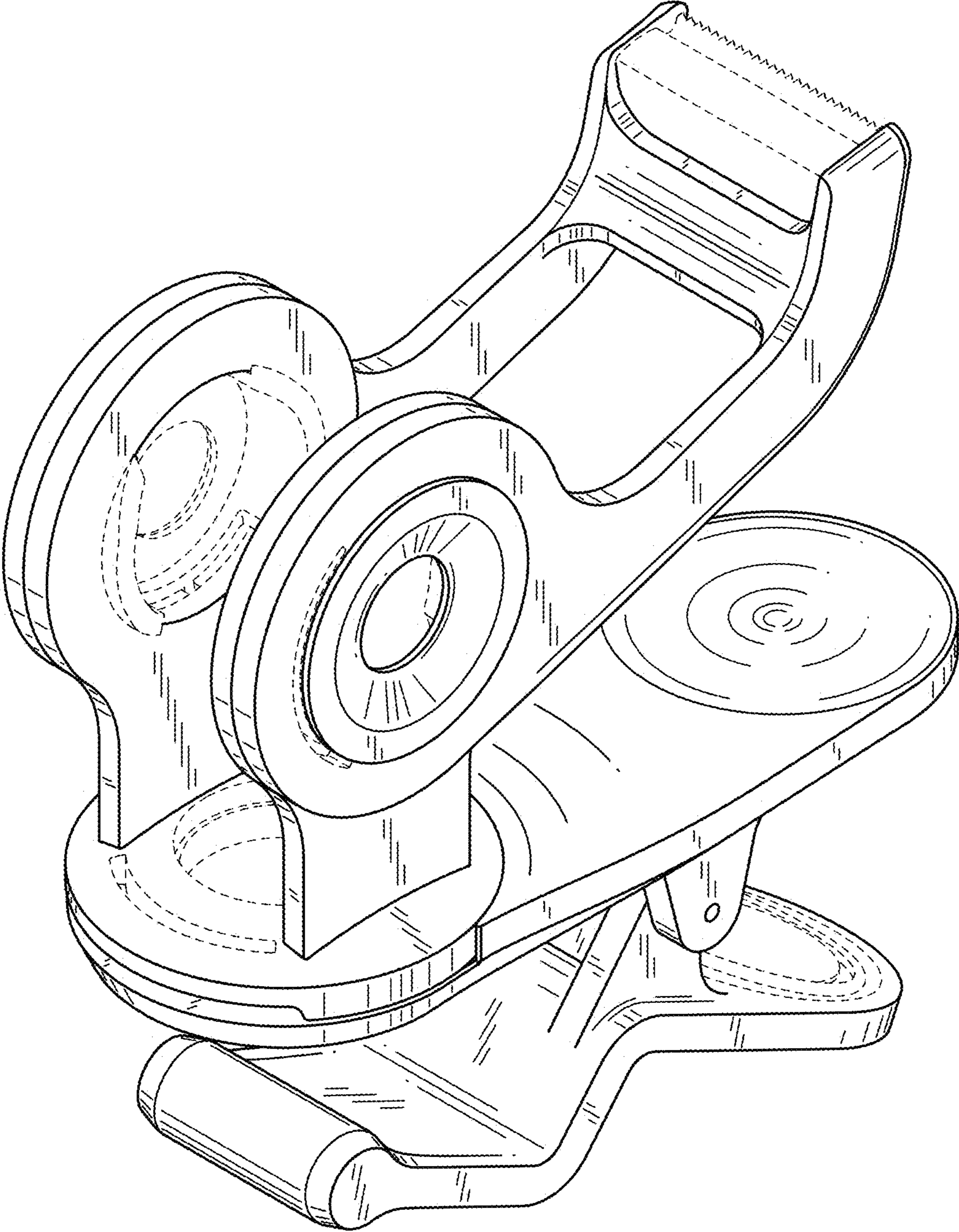


FIG. 1

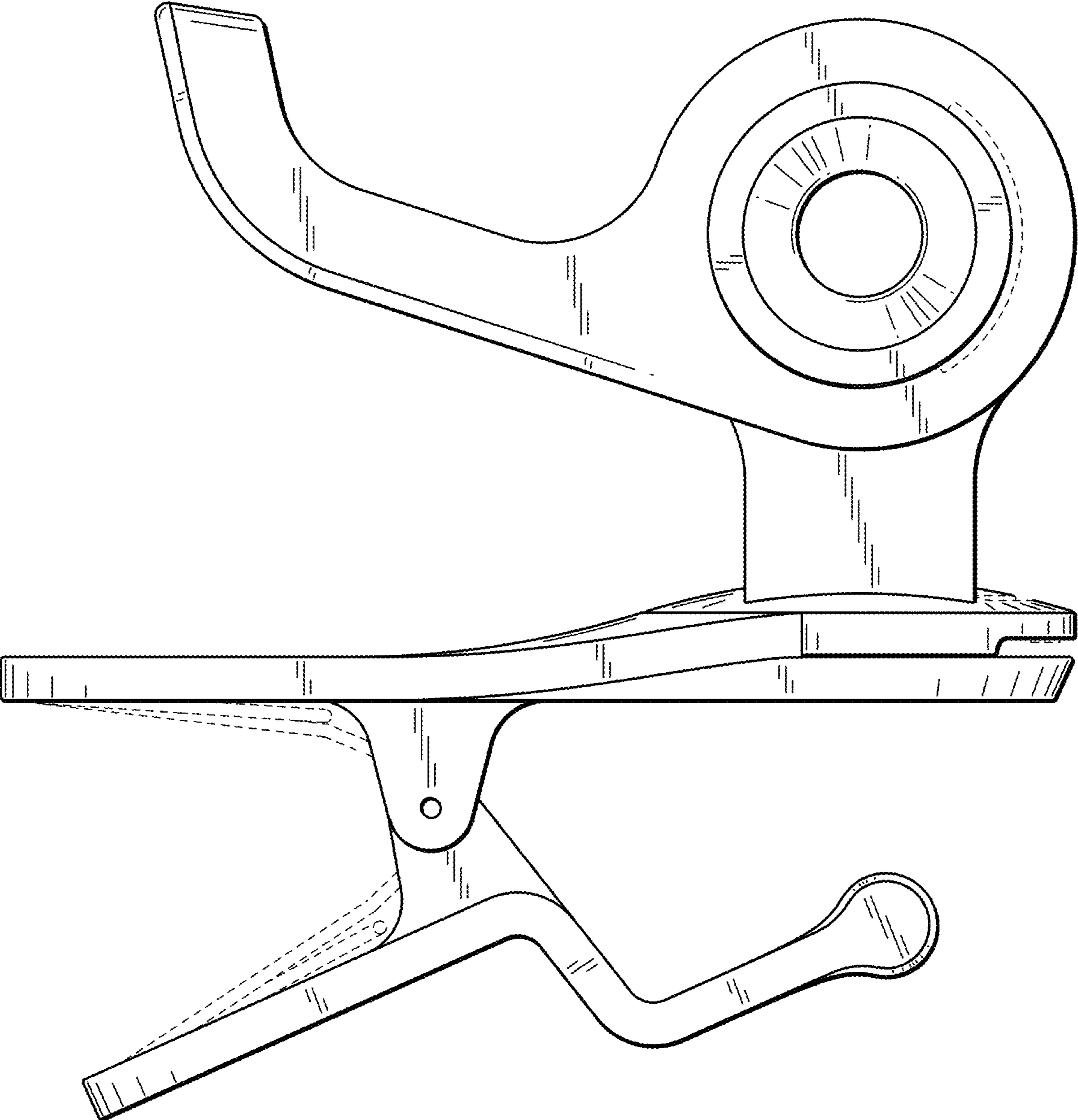


FIG. 2

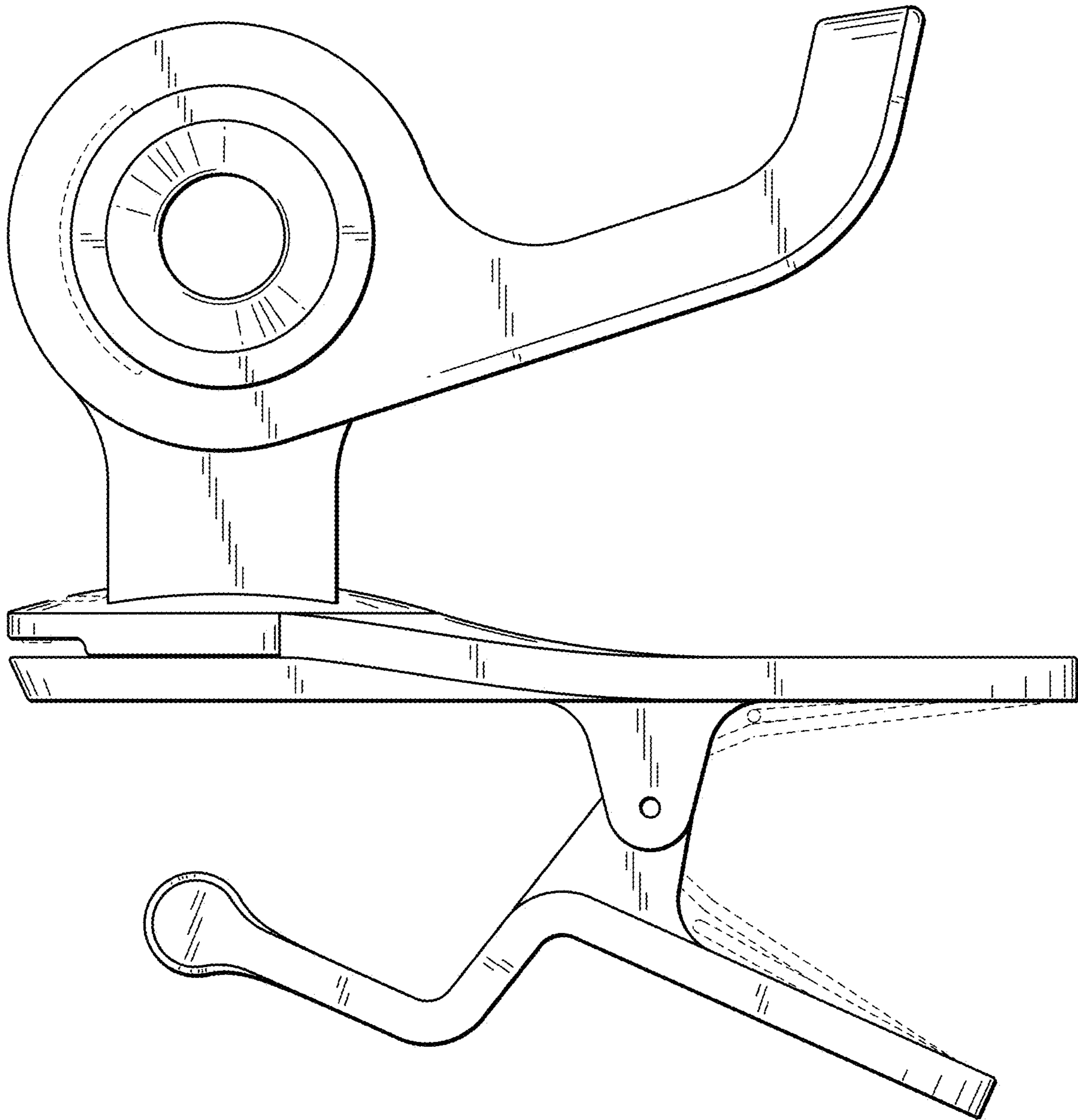


FIG. 3

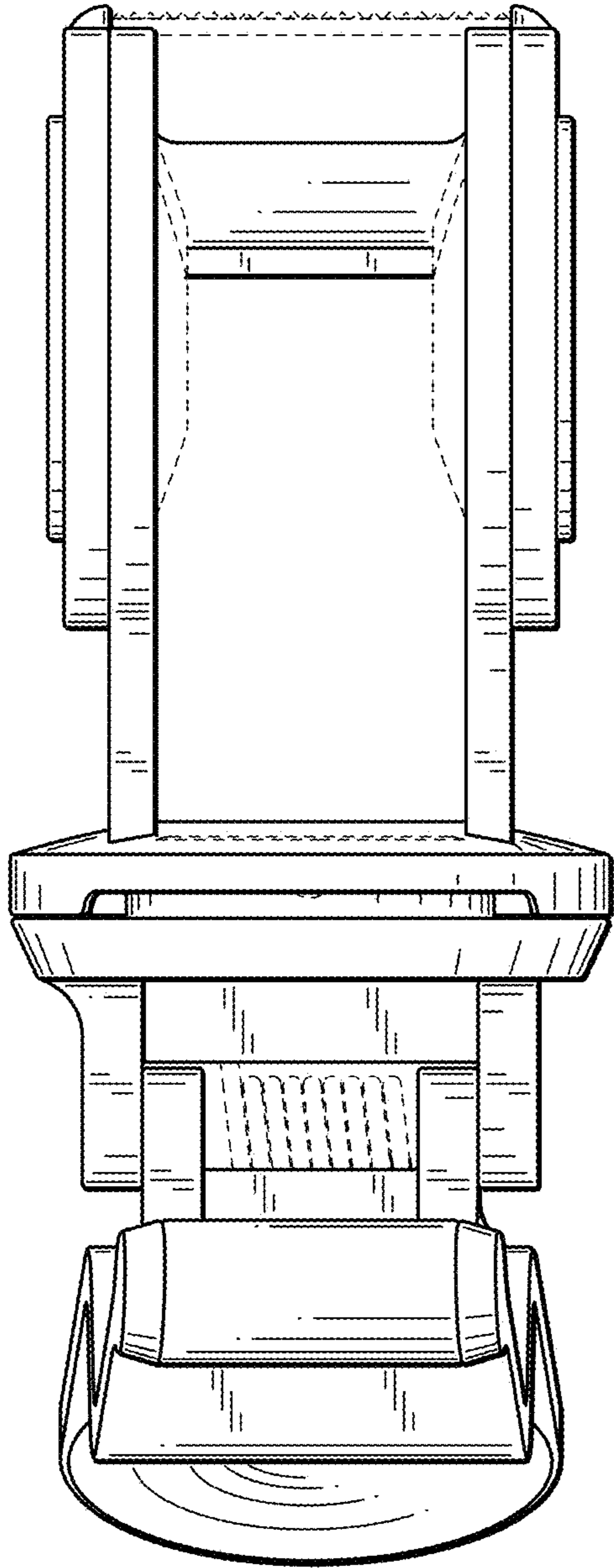


FIG. 4

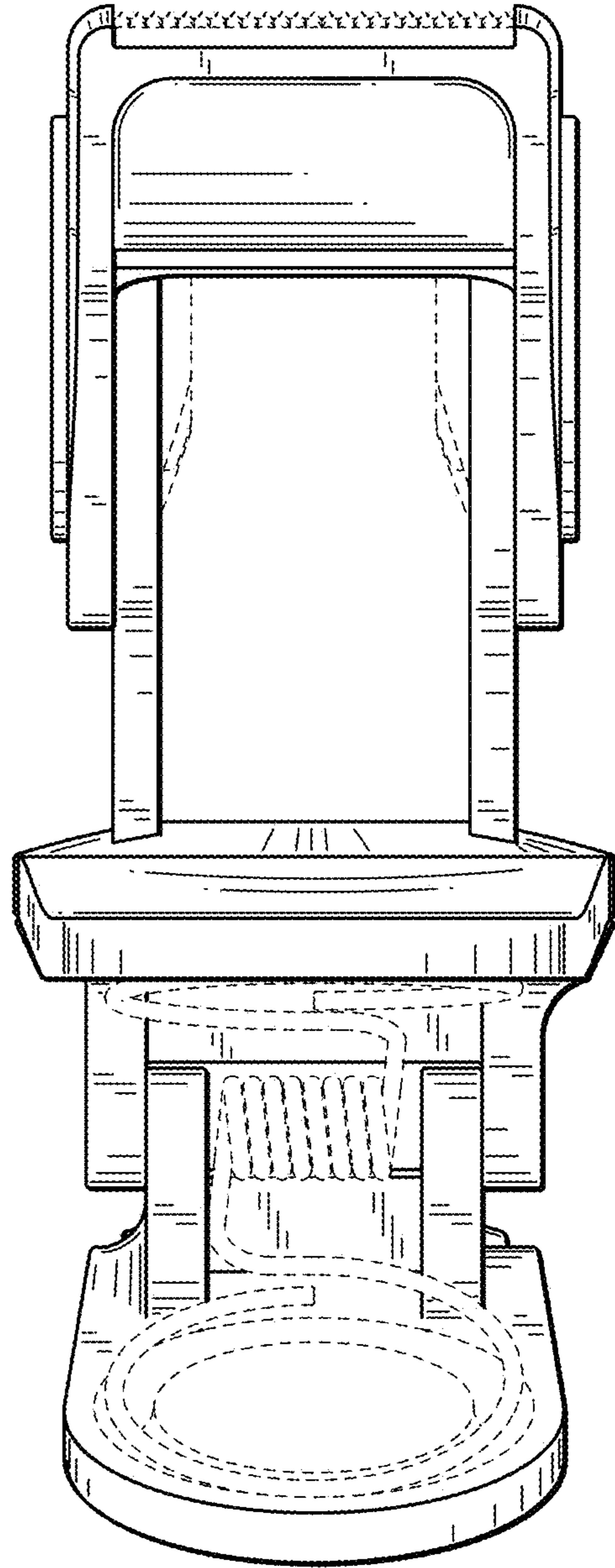


FIG. 5

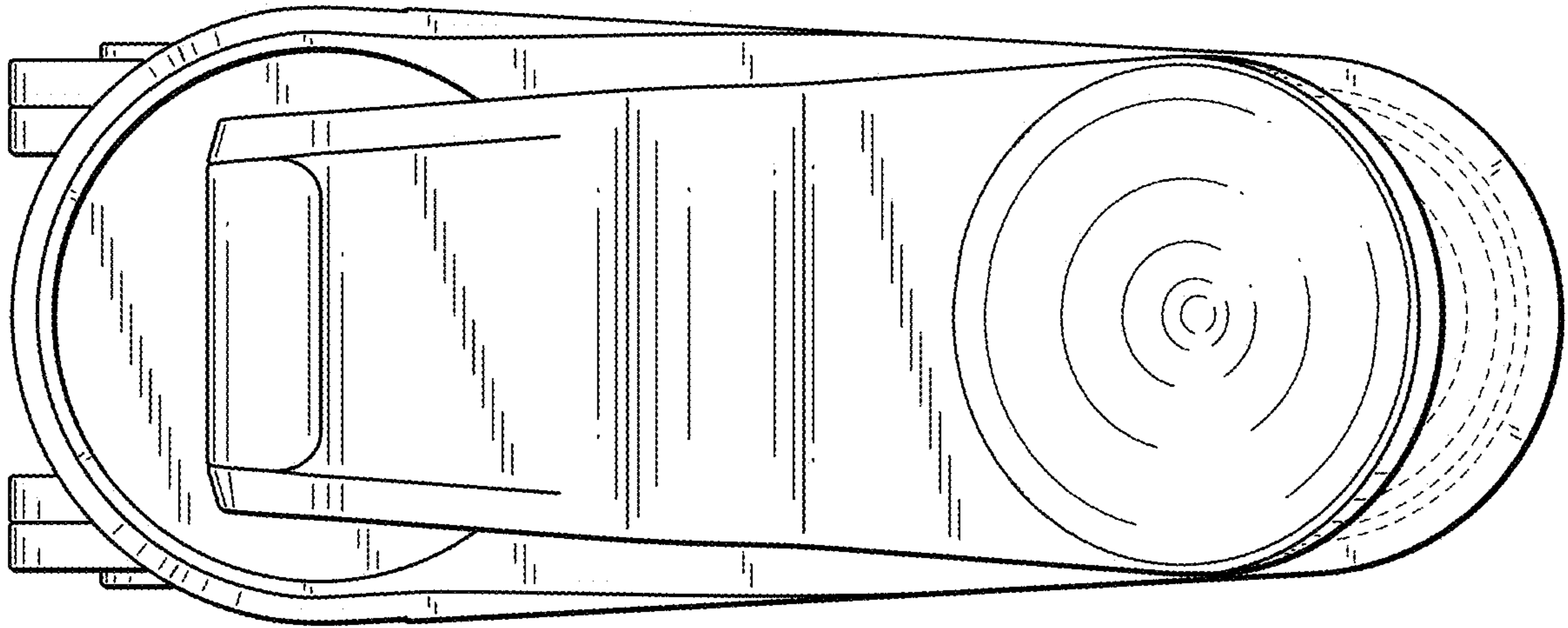


FIG. 6

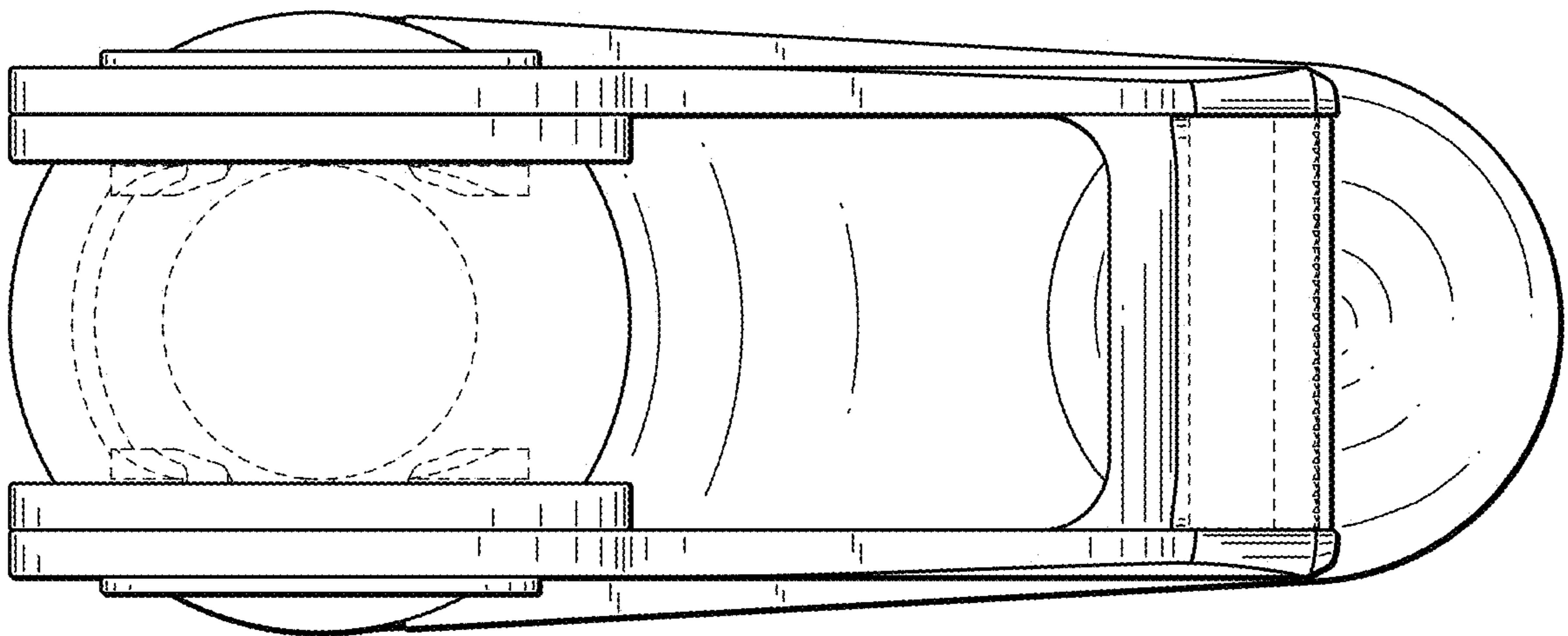


FIG. 7

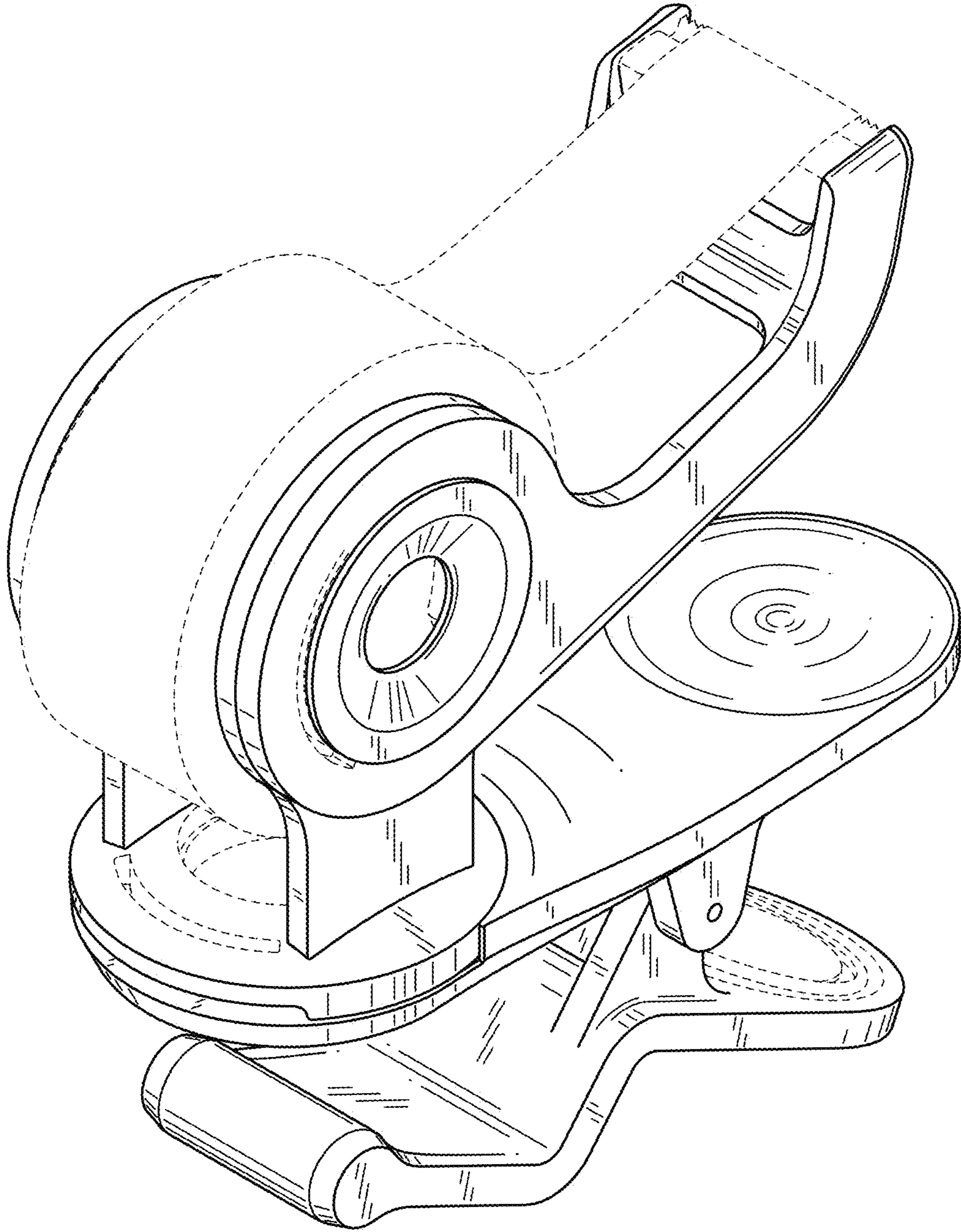


FIG. 8