



US00D873912S

(12) **United States Design Patent**
Narayan et al.

(10) **Patent No.:** **US D873,912 S**

(45) **Date of Patent:** **** Jan. 28, 2020**

(54) **ENVELOPE**

(71) Applicant: **Amazon Technologies, Inc.**, Seattle, WA (US)
(72) Inventors: **Hersh Narayan**, Seattle, WA (US); **Kenichi Akishima**, Kawasaki (JP); **Manish Bansal**, Snoqualmie, WA (US); **Brett W. DeColyse**, Congers, NY (US); **Emi Hashiride**, Nerima (JP); **Brynn Hoover**, Shibuya (JP); **Neal Peterson Rothfuss**, Seattle, WA (US); **Suhag Saraiya**, Issaquah, WA (US); **Michael Saunders**, Minato (JP); **Vivek Singh**, Seattle, WA (US); **Wu Yanbin**, Suzhou (CN); **Zong Ying**, Shanghai (CN)

(73) Assignee: **Amazon Technologies, Inc.**, Seattle, WA (US)

(**) Term: **15 Years**

(21) Appl. No.: **29/662,936**

(22) Filed: **Sep. 10, 2018**

(30) **Foreign Application Priority Data**

Mar. 16, 2018 (JP) 2018-005555

(51) **LOC (12) Cl.** **19-01**

(52) **U.S. Cl.**
USPC **D19/3**

(58) **Field of Classification Search**

USPC D19/1-8, 75, 86, 100; 229/67.4, 928, 229/307, 92; 206/449, 424, 308.1, 308.3, 206/309, 313; 462/64-65; D20/27, 22, D20/40; 40/672, 124.01-124.15; D3/303, 227, 20; 383/61.1, 84; 283/72, 283/74-75, 103, 105-106, 116-117; D9/433; D5/7-19

(Continued)

(56) **References Cited**

U.S. PATENT DOCUMENTS

D239,111 S * 3/1976 Caprile et al. D19/3
D372,046 S * 7/1996 Gibson D19/3

(Continued)

Primary Examiner — Abraham Bahta

(74) *Attorney, Agent, or Firm* — Lee & Hayes, P.C.

(57) **CLAIM**

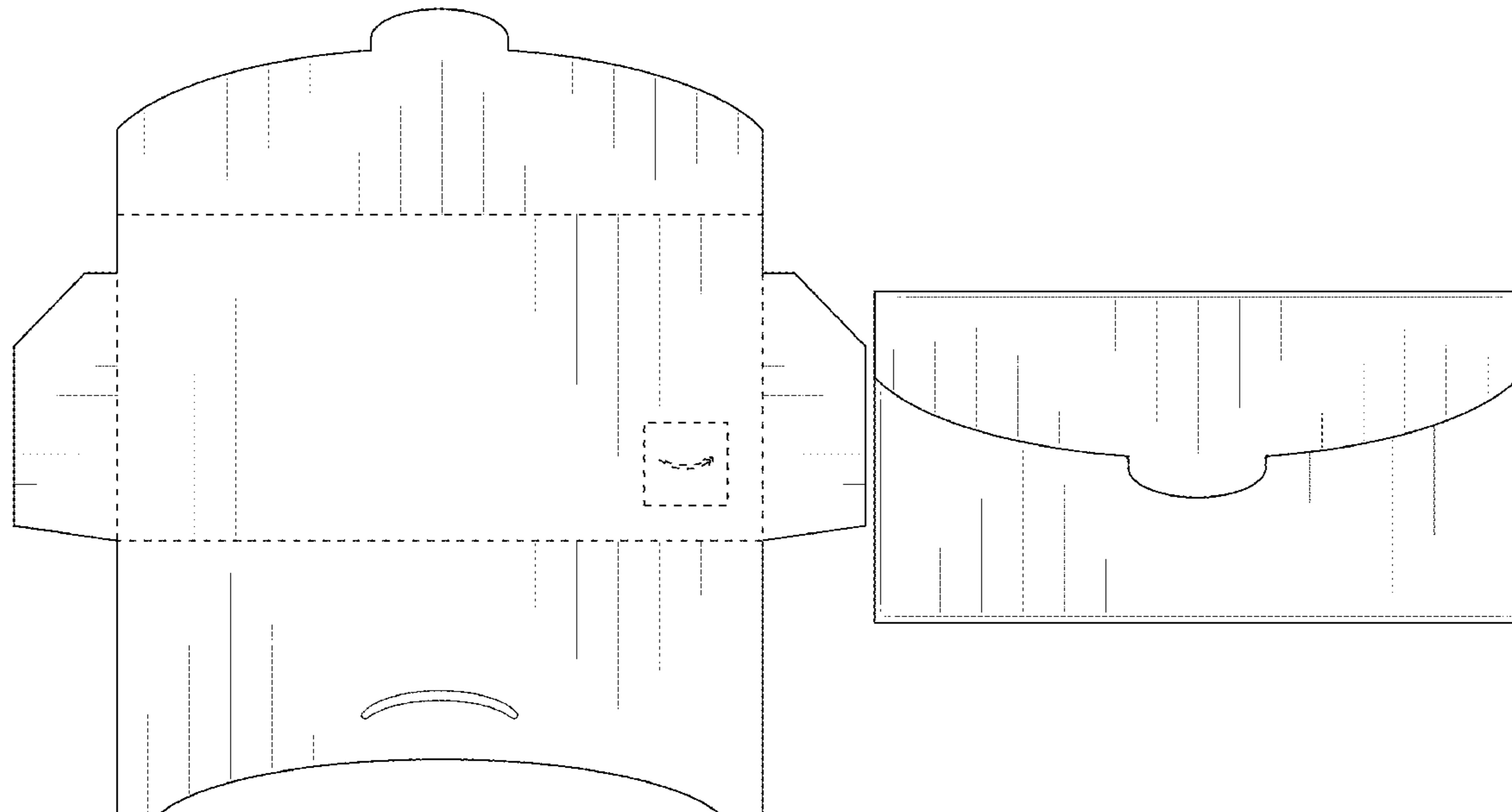
The ornamental design for an envelope, as shown and described.

DESCRIPTION

FIG. 1 is a front view of an envelope in an unfolded state; FIG. 2 is a back view thereof; FIG. 3 is a left-side view thereof; FIG. 4 is a right-side view thereof; FIG. 5 is a top view thereof; FIG. 6 is a bottom view thereof; FIG. 7 is a front view of an envelope in a partially folded state; FIG. 8 is a back view thereof; FIG. 9 is a left-side view thereof; FIG. 10 is a right-side view thereof; FIG. 11 is a top view thereof; FIG. 12 is a bottom view thereof; FIG. 13 is a front view of an envelope in a completely folded state; FIG. 14 is a back view thereof; FIG. 15 is a left-side view thereof; FIG. 16 is a right-side view thereof; FIG. 17 is a top view thereof; and, FIG. 18 is a bottom view thereof.

The dashed broken lines depict portions of the envelope (e.g., fold locations) which form no part of the claimed design.

1 Claim, 12 Drawing Sheets



(58) **Field of Classification Search**

CPC B42D 25/00; B42D 25/20; B42D 25/26;
B42D 25/29; B42D 25/30; B42D 25/285;
B42D 15/00; B42D 15/022; B42D
15/027; B42D 15/045; B42D 15/042;
B42D 2033/00; B42D 2033/02; B42D
2033/04; B42D 2033/08; B42D 2033/10;
B42D 2033/16; B42D 2033/18; B42D
2033/20; B42D 2033/22; B42D 2033/28;
B42D 2033/30

See application file for complete search history.

(56) **References Cited**

U.S. PATENT DOCUMENTS

| | | | | | | |
|----------|---|---|---------|-------|-------|-------|
| D685,843 | S | * | 7/2013 | Glass | | D19/3 |
| D729,313 | S | * | 5/2015 | Glass | | D19/3 |
| D771,745 | S | * | 11/2016 | Glass | | D19/3 |
| D775,276 | S | * | 12/2016 | Glass | | D19/3 |

* cited by examiner

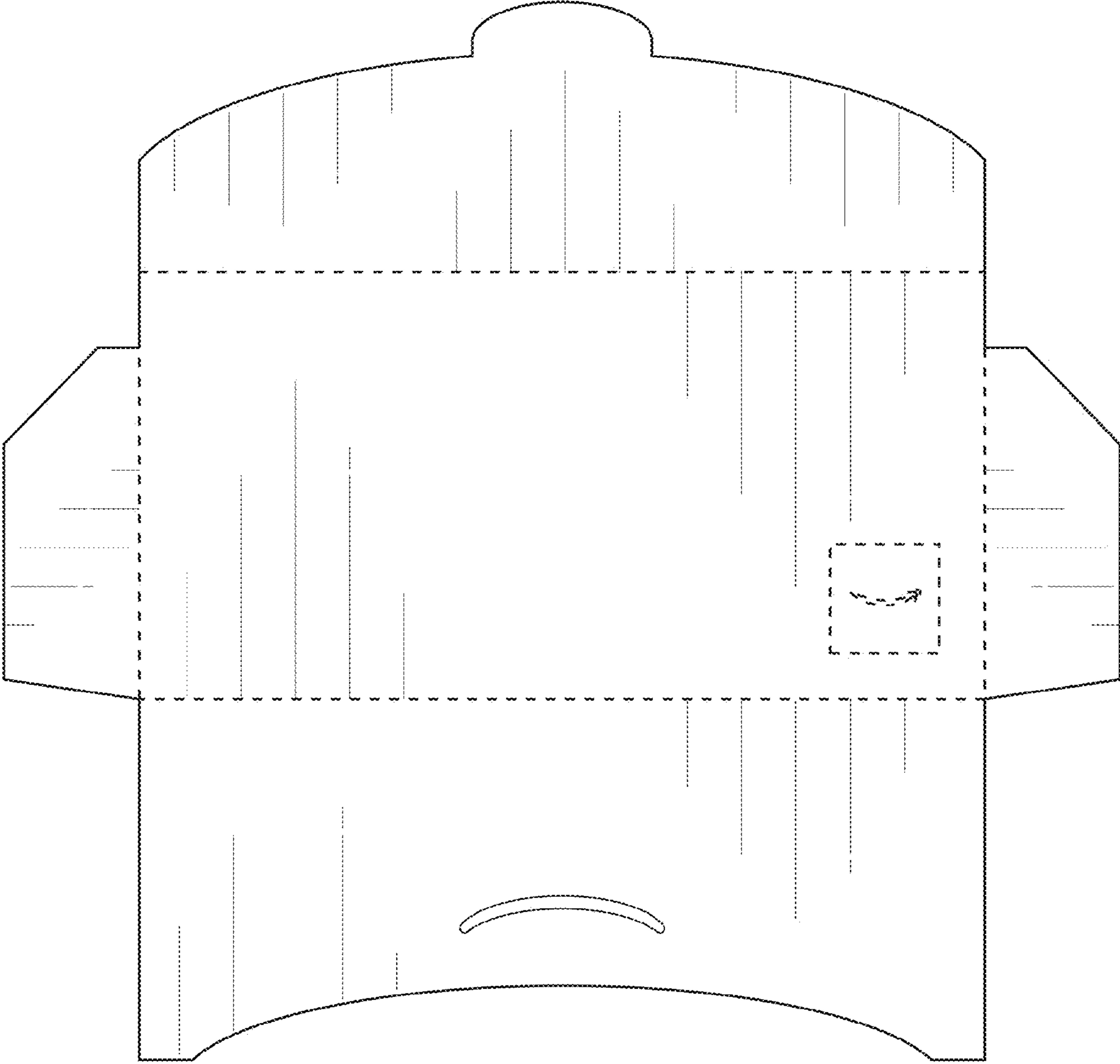


FIG. 1

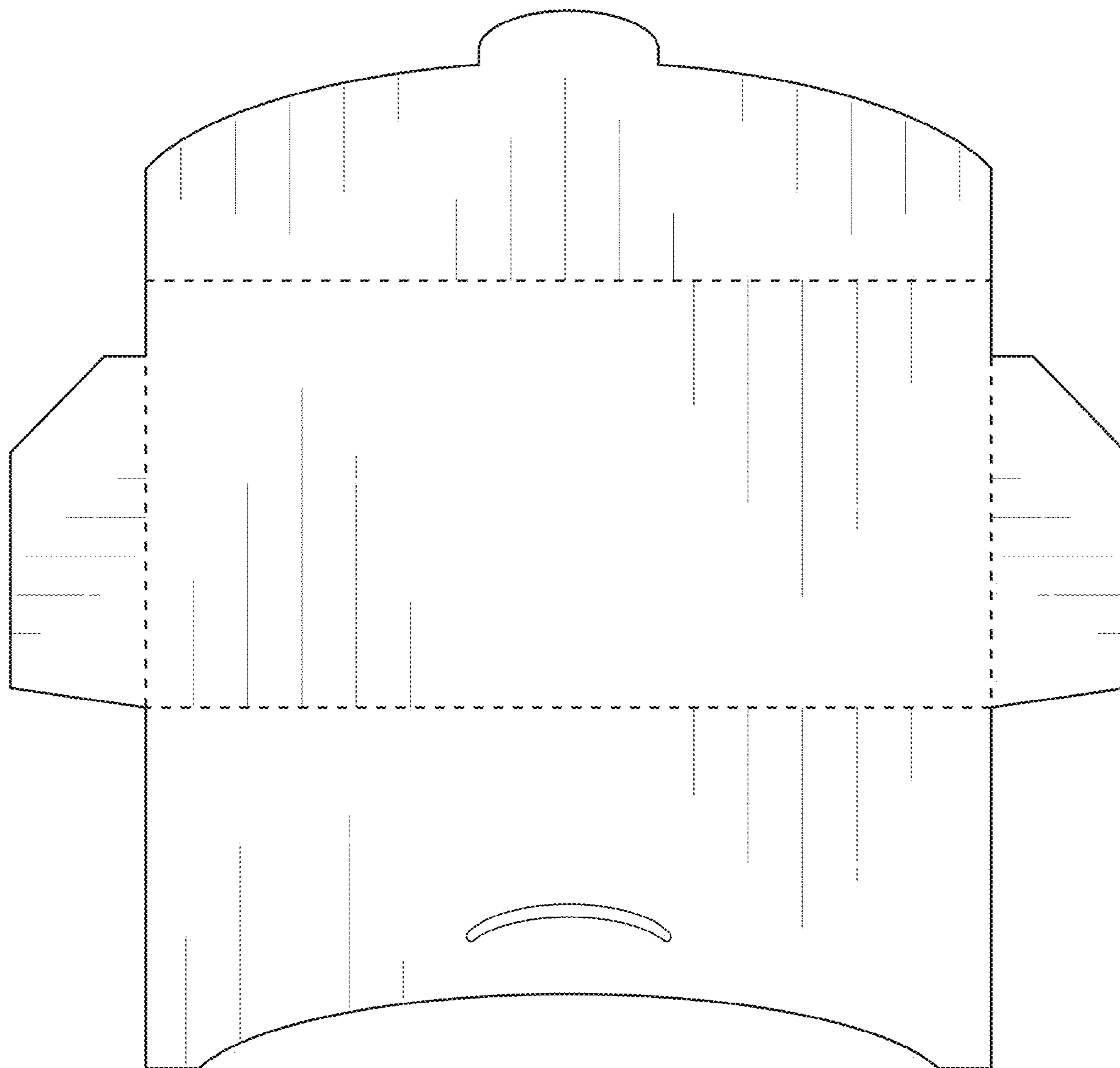


FIG. 2



FIG. 3



FIG. 4



FIG. 5



FIG. 6

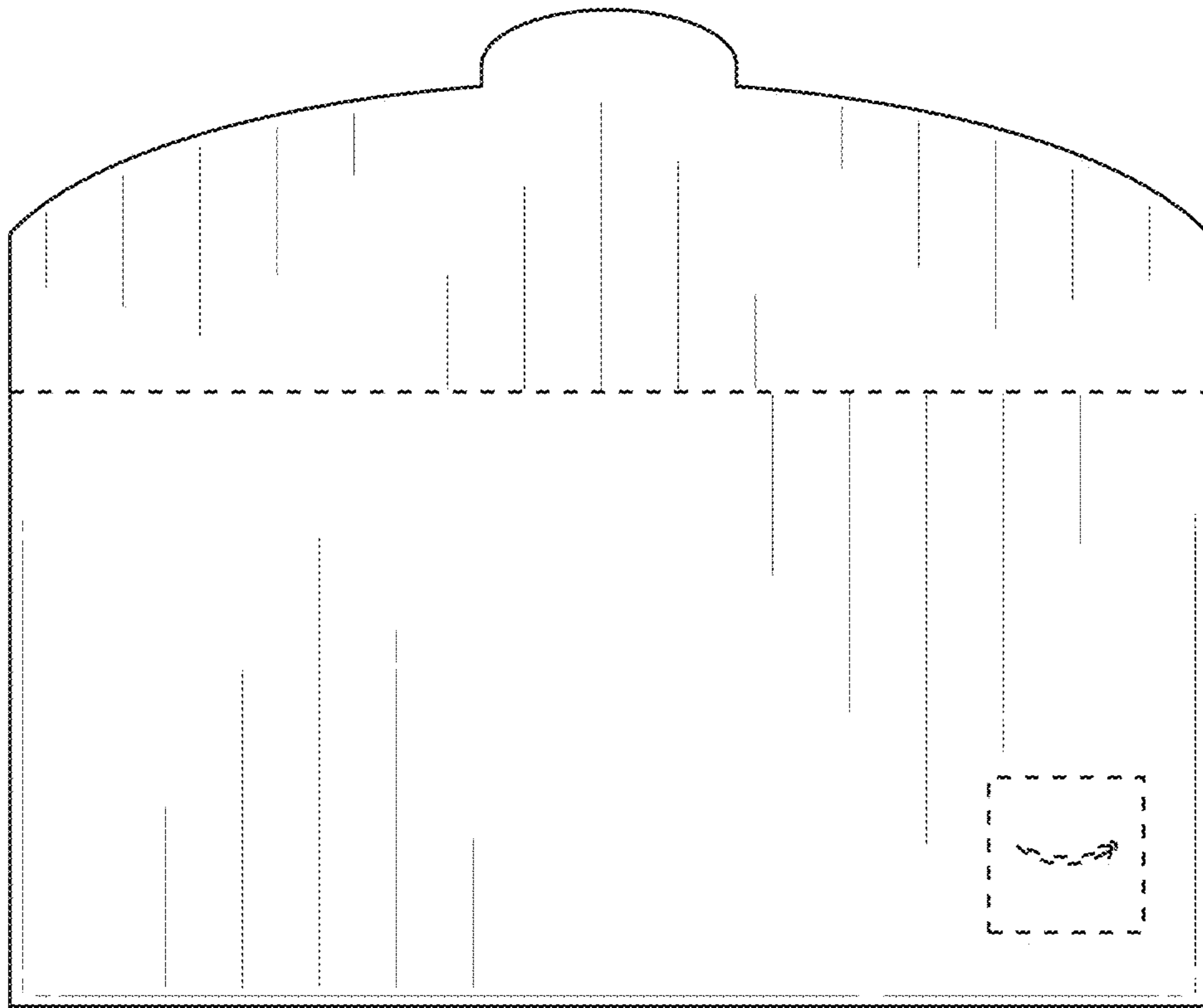


FIG. 7

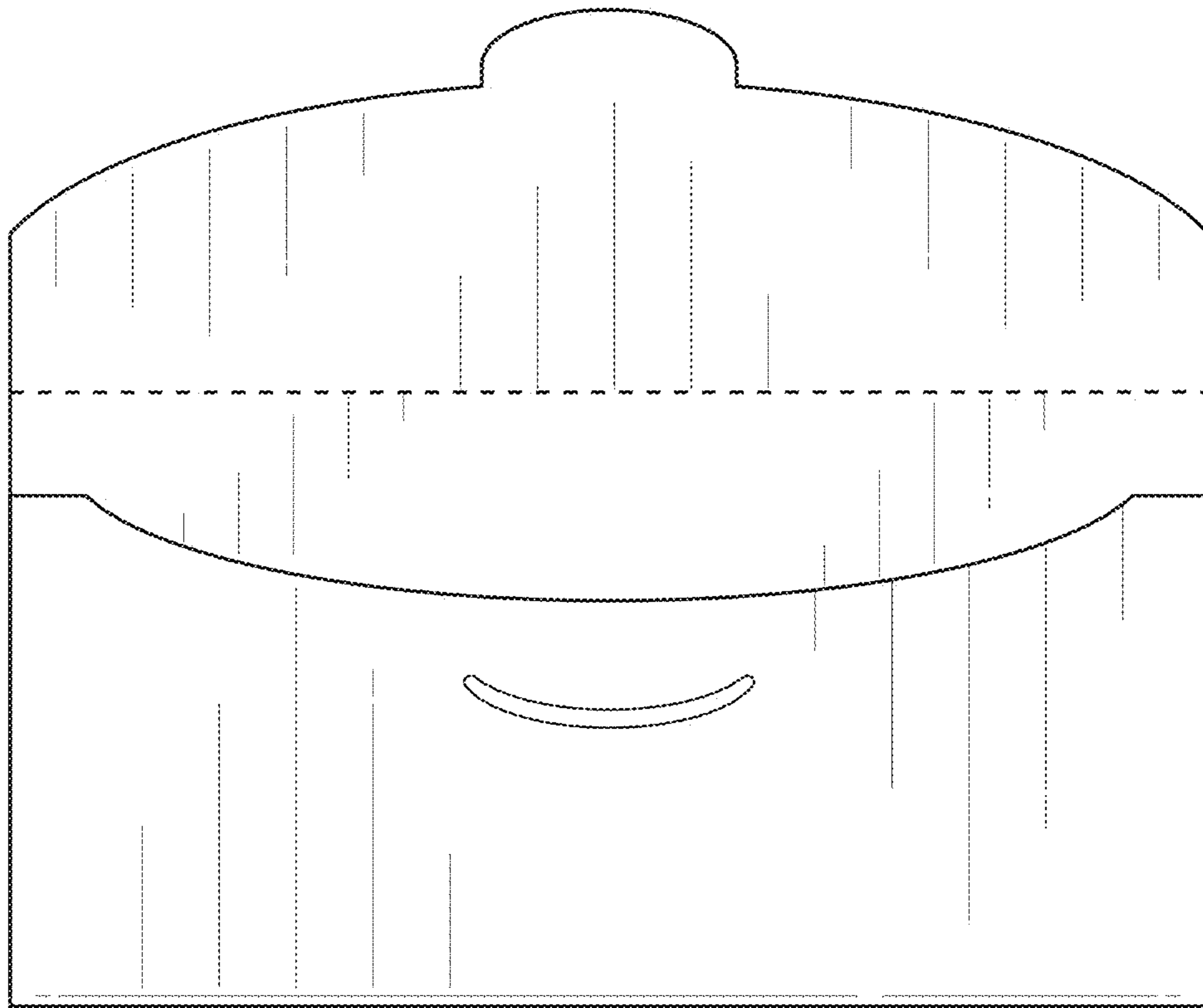


FIG. 8



FIG. 9



FIG. 10



FIG. 11

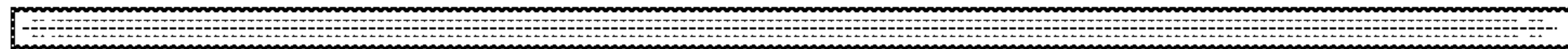


FIG. 12

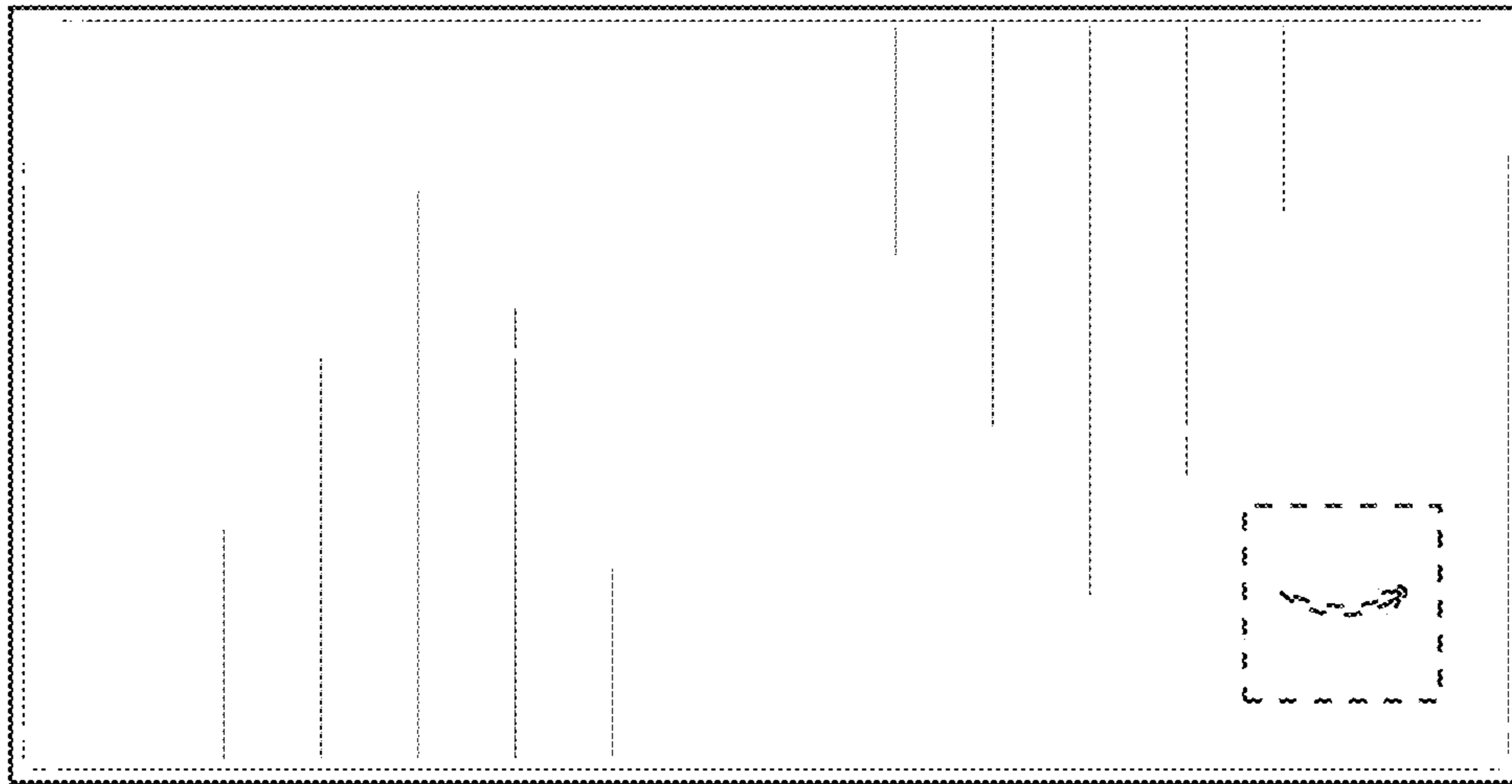


FIG. 13

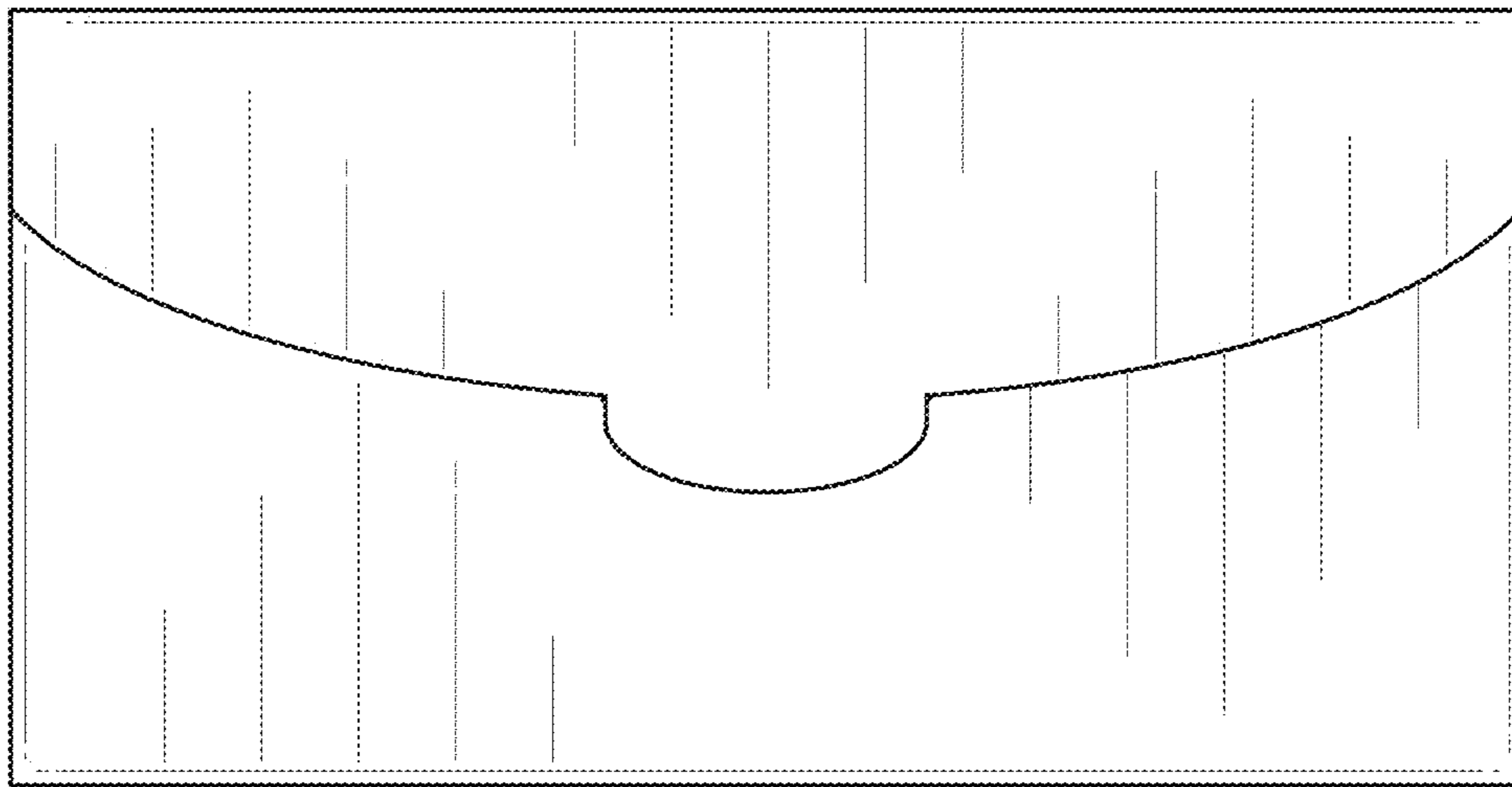


FIG. 14



FIG. 15



FIG. 16

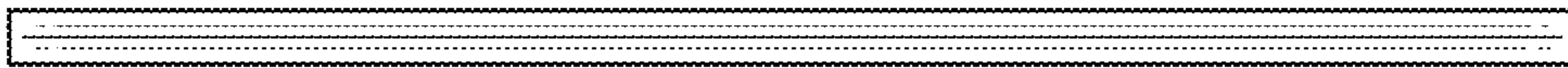


FIG. 17



FIG. 18