



US00D873910S

(12) **United States Design Patent** (10) **Patent No.:** **US D873,910 S**
Tsiopanos et al. (45) **Date of Patent:** **** Jan. 28, 2020**

(54) **MEDIA PROCESSING DEVICE**
(71) Applicant: **ZEBRA TECHNOLOGIES CORPORATION**, Lincolnshire, IL (US)
(72) Inventors: **Konstantinos Tsiopanos**, Selden, NY (US); **Roy P. Lyman**, Coventry, RI (US); **Jorge Tomas**, Wrentham, MA (US)
(73) Assignee: **Zebra Technologies Corporation**, Lincolnshire, IL (US)
(**) Term: **15 Years**
(21) Appl. No.: **29/680,020**
(22) Filed: **Feb. 12, 2019**

(56) **References Cited**
U.S. PATENT DOCUMENTS
3,757,688 A 9/1973 Weber
D336,444 S 6/1993 Anderson
D386,515 S 11/1997 Sommerville
(Continued)

FOREIGN PATENT DOCUMENTS
WO 2011130319 A1 10/2011

OTHER PUBLICATIONS
CDW. Link: https://www.cdw.com/product/ZebraQLn420-labelprinter-monochrome-directthermal/3461277?RecommendedForEDC=3960127&RecoType=RP&cm_sp=Product_-_Session&ProgramIdentifier=3. Visited Apr. 5, 2019. Zebra QLn 420—label printer—monochrome—direct thermal. (Year: 2019).*
(Continued)

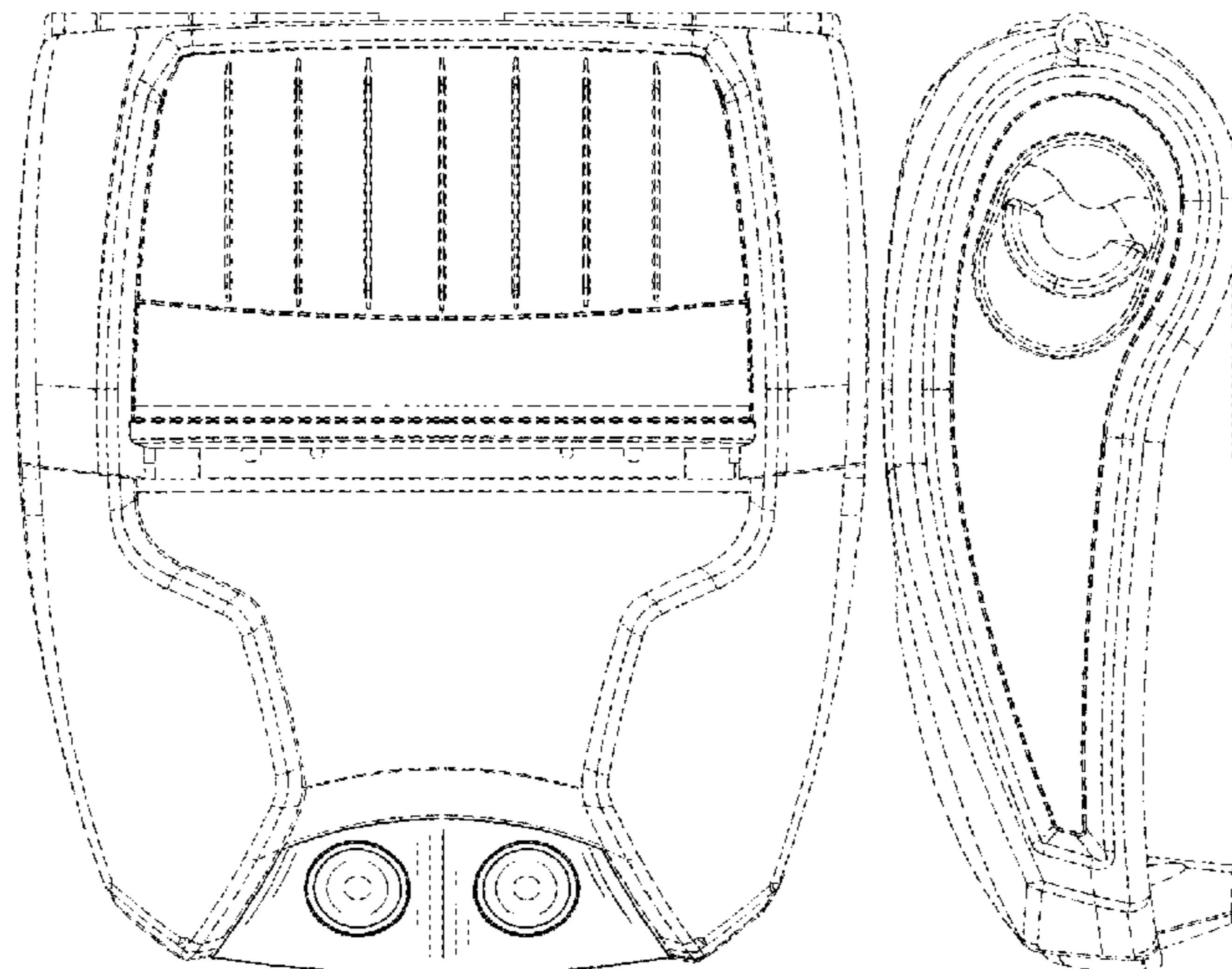
Primary Examiner — Susan Bennett Hattan
Assistant Examiner — Lauren D McVey

(57) **CLAIM**
We claim the ornamental design for a media processing device, as shown and described.

DESCRIPTION
FIG. 1 is a perspective view of a media processing device according to our new design;
FIG. 2 is another perspective view thereof;
FIG. 3 is a top view thereof;
FIG. 4 is a bottom view thereof;
FIG. 5 is a first side view thereof;
FIG. 6 is a second side view thereof;
FIG. 7 is a back view thereof; and,
FIG. 8 is a front view thereof.
The broken lines are directed to environment and are for illustrative purposes only. The broken lines form no part of the claimed design.

Related U.S. Application Data
(63) Continuation of application No. 29/544,950, filed on Nov. 8, 2015, now Pat. No. Des. 844,699, which is a continuation-in-part of application No. 29/533,536, filed on Jul. 17, 2015, now Pat. No. Des. 829,812.
(51) **LOC (12) Cl.** **18-99**
(52) **U.S. Cl.**
USPC **D18/19**
(58) **Field of Classification Search**
USPC D18/19, 14, 53, 50, 54, 56, 59, 36, 38, D18/39, 40, 41, 45, 34.4, 34.5, 34.6; D14/314, 332, 348-349, 351, 352; D19/68
CPC B41J 3/4075; B65C 11/00; B65C 11/02; B65C 11/0205; B65C 11/021; B65C 11/0215; B65C 11/0221; B65C 11/0226; B65C 11/0231; B65C 11/0236; B65C 11/0242; B65C 11/0252; B65C 11/0257; B65C 11/0268; B65C 11/0273; B65C 11/0284; B65C 11/0289; B65C 11/0294; B65C 11/04; B65C 11/046; B65C 11/06;
(Continued)

1 Claim, 3 Drawing Sheets



(58) **Field of Classification Search**
 CPC ... B65C 11/062; B65C 11/064; B65C 11/066;
 B65C 11/068
 See application file for complete search history.

(56) **References Cited**

U.S. PATENT DOCUMENTS

D421,604 S	3/2000	Yoon	
D447,766 S	9/2001	Obara	
D452,698 S *	1/2002	Shinano	D18/14
D453,399 S	2/2002	Racine	
D498,334 S	11/2004	Durocher	
D522,571 S	6/2006	Senda	
D522,989 S	6/2006	Vitasaari	
D527,043 S	8/2006	Borne	
D532,038 S *	11/2006	Hutchinson	D18/50
D532,039 S	11/2006	Beck	
D536,370 S	2/2007	Smolenski	
D541,778 S	5/2007	Kim	
D545,892 S	7/2007	Wang	
D549,768 S *	8/2007	Panebianco	D18/14
7,306,386 B2	12/2007	Lyman	
D559,303 S *	1/2008	Hongo	D18/19
D574,423 S *	8/2008	Lee	D18/14
D590,805 S	4/2009	Sandberg	
D607,430 S	1/2010	Song	
D628,620 S	12/2010	Beck	

D631,451 S	1/2011	Kim	
D654,949 S	2/2012	Preliasco	
D660,905 S	5/2012	Lee	
D663,767 S *	7/2012	Inada	D18/19
D685,415 S *	7/2013	Kinoshita	D18/54
D694,317 S *	11/2013	Nakagawa	D18/19
D694,319 S *	11/2013	Nakagawa	D18/19
D698,385 S	1/2014	Iwai	
D705,851 S	5/2014	Tanaka	
D713,871 S	9/2014	Preliasco	
D750,703 S	3/2016	Beck	
D751,636 S *	3/2016	Kinoshita	D18/19
D764,573 S	8/2016	Sugawara	
D765,773 S	9/2016	Ozawa	
D773,739 S	12/2016	Yoo	
D812,682 S *	3/2018	Azegami	D18/50
D829,812 S *	10/2018	Tsiopanos	D18/19
D844,699 S *	4/2019	Tsiopanos	D18/19
2009/0220292 A1	9/2009	Kato	

OTHER PUBLICATIONS

<URL: <http://media-cache-ak0.pinimg.com/736x/99/9c/ba/999cba2c59a4ad57ce028002192e559b.webp>> May 10, 2017, Helmet. Available in U.S. Appl. No. 29/544,950 to which priority is claimed.

* cited by examiner

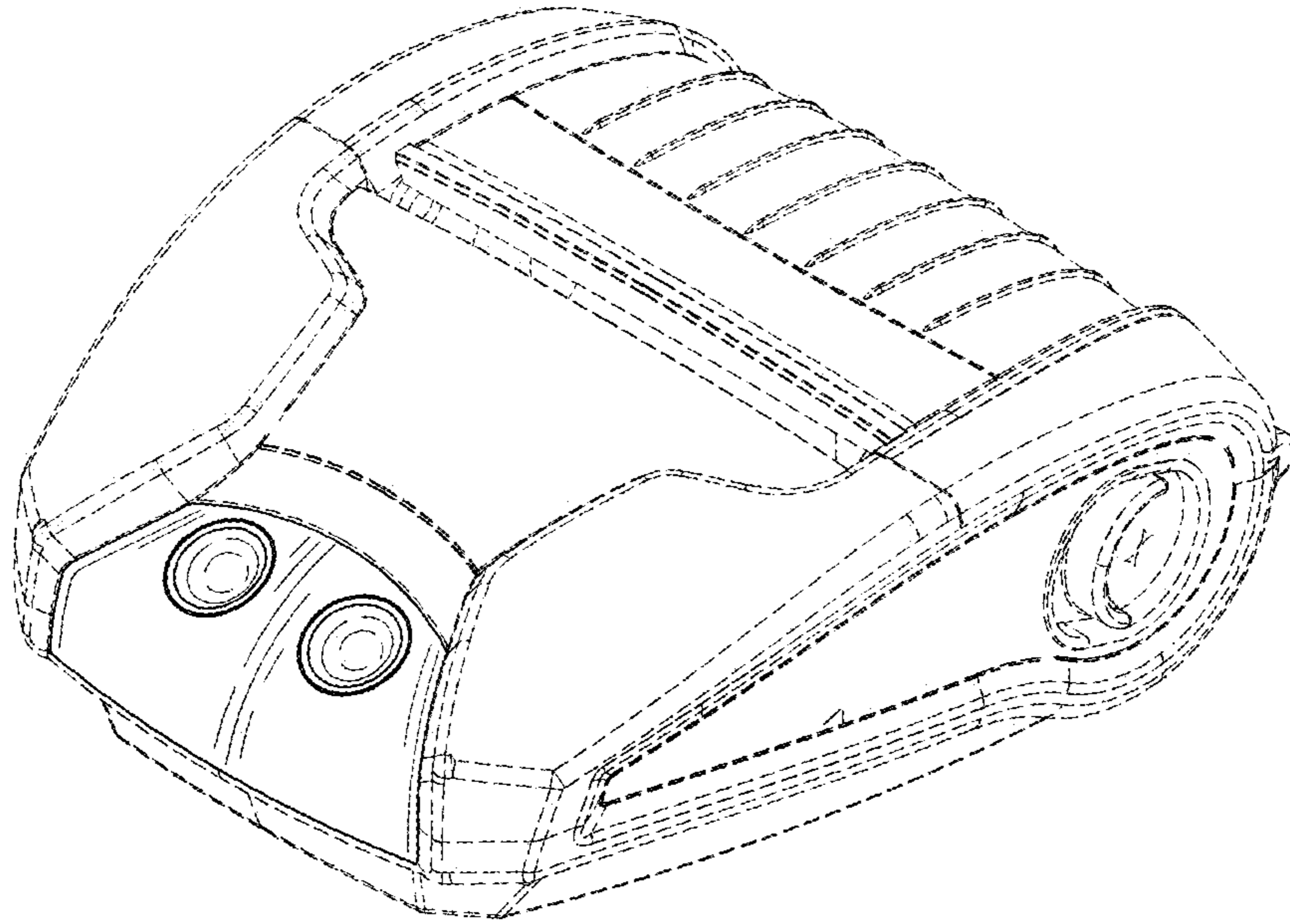


FIG. 1

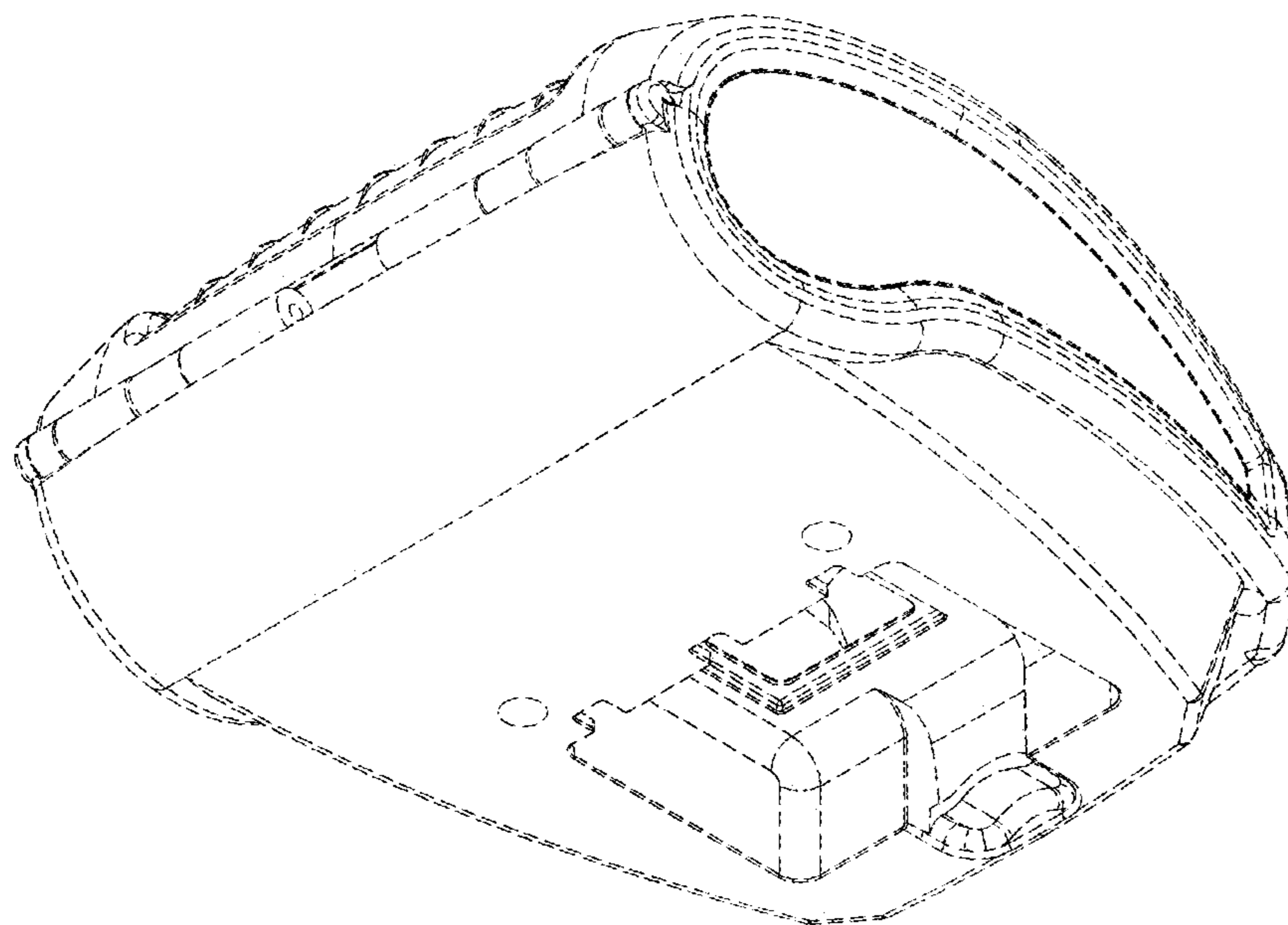


FIG. 2

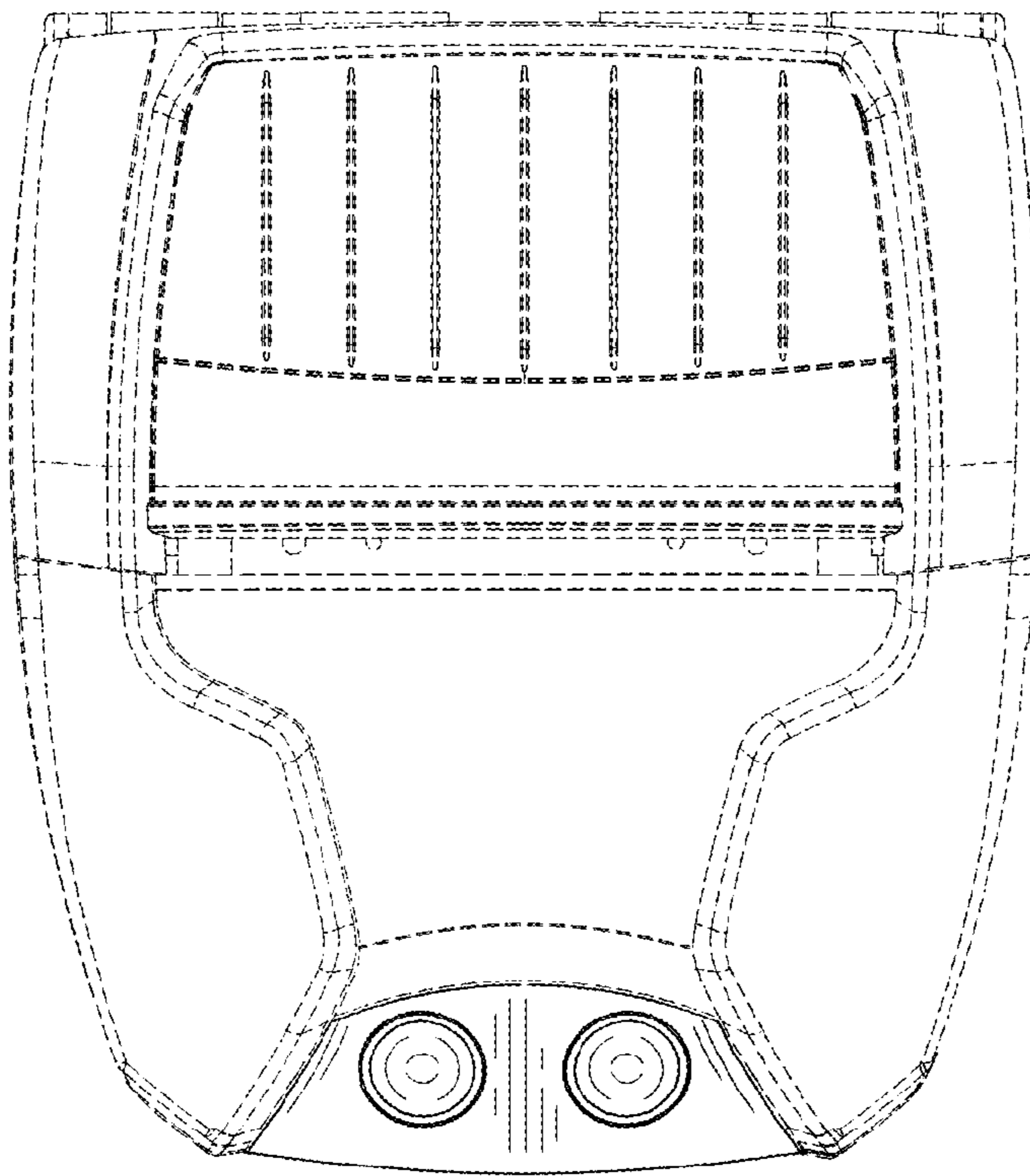


FIG. 3

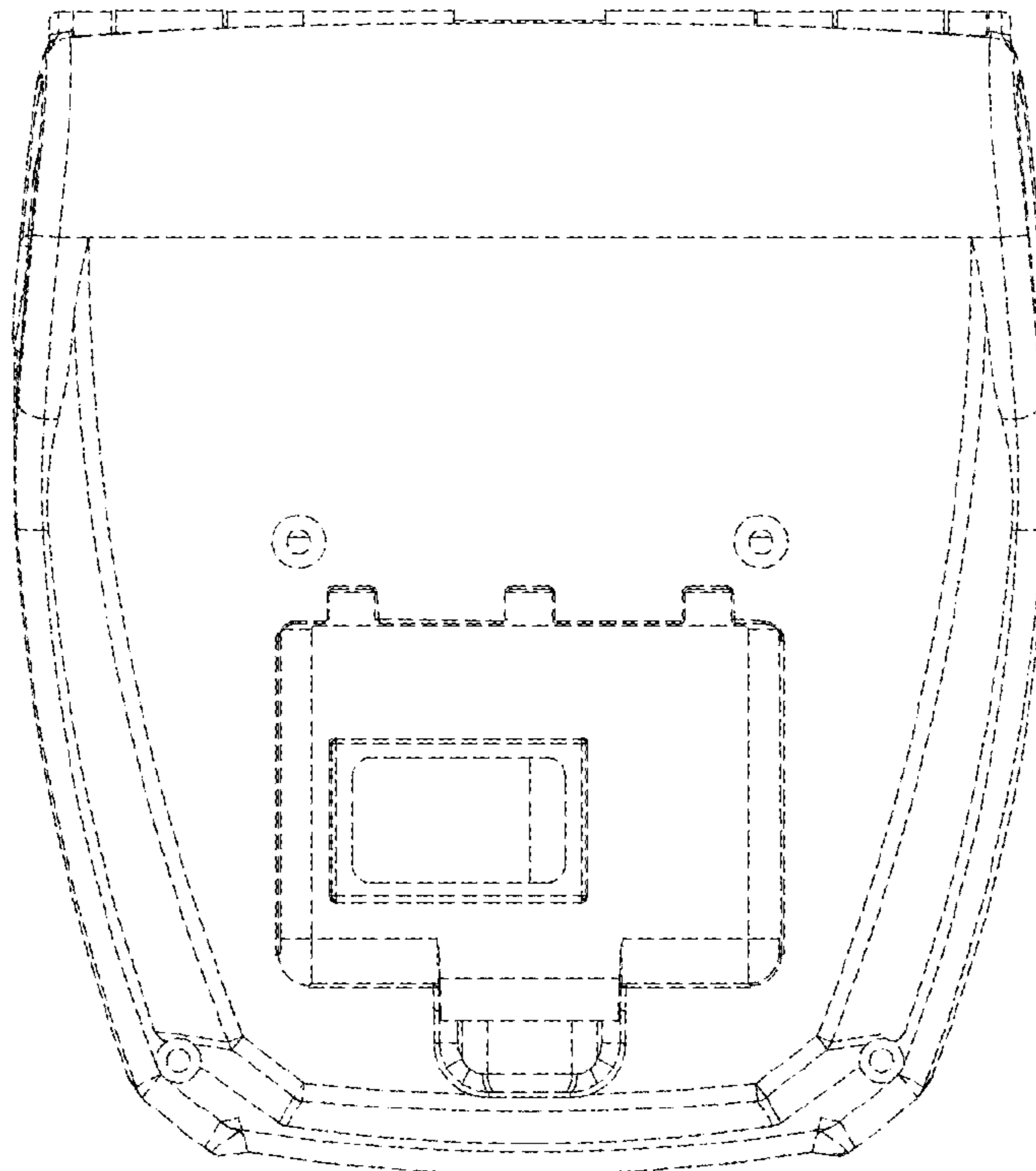


FIG. 4

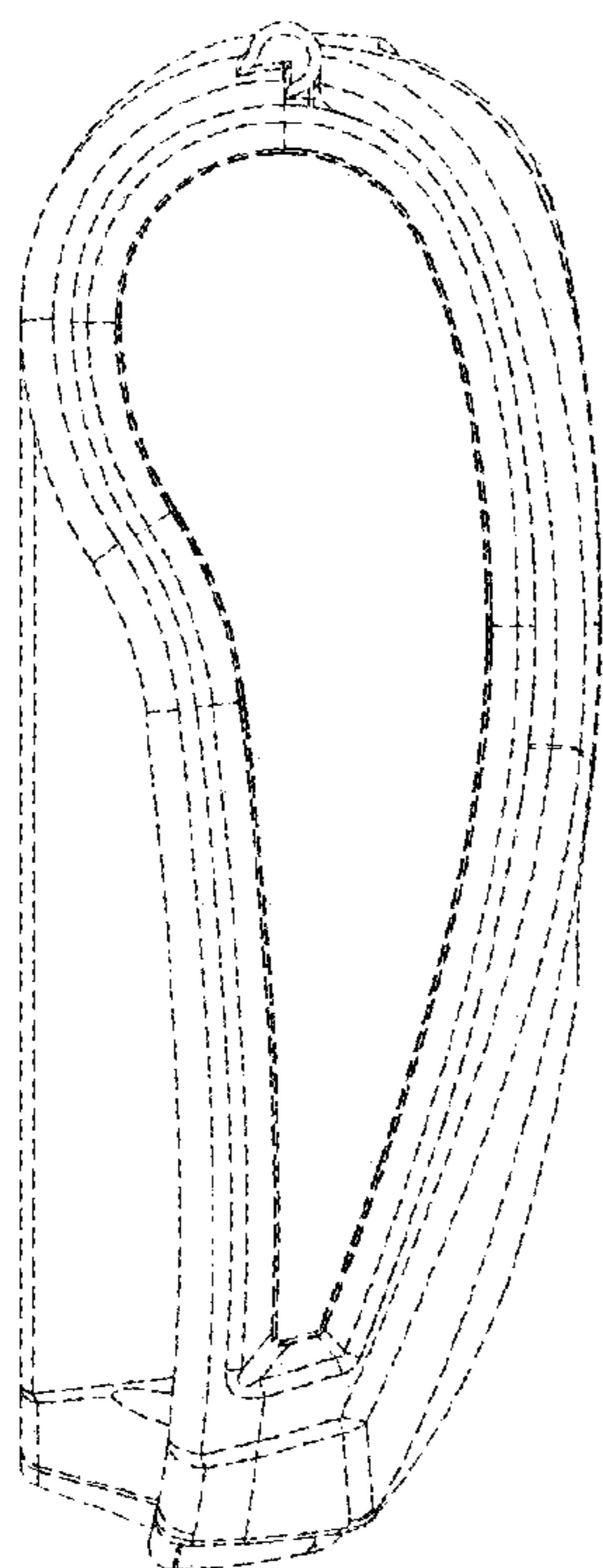


FIG. 5

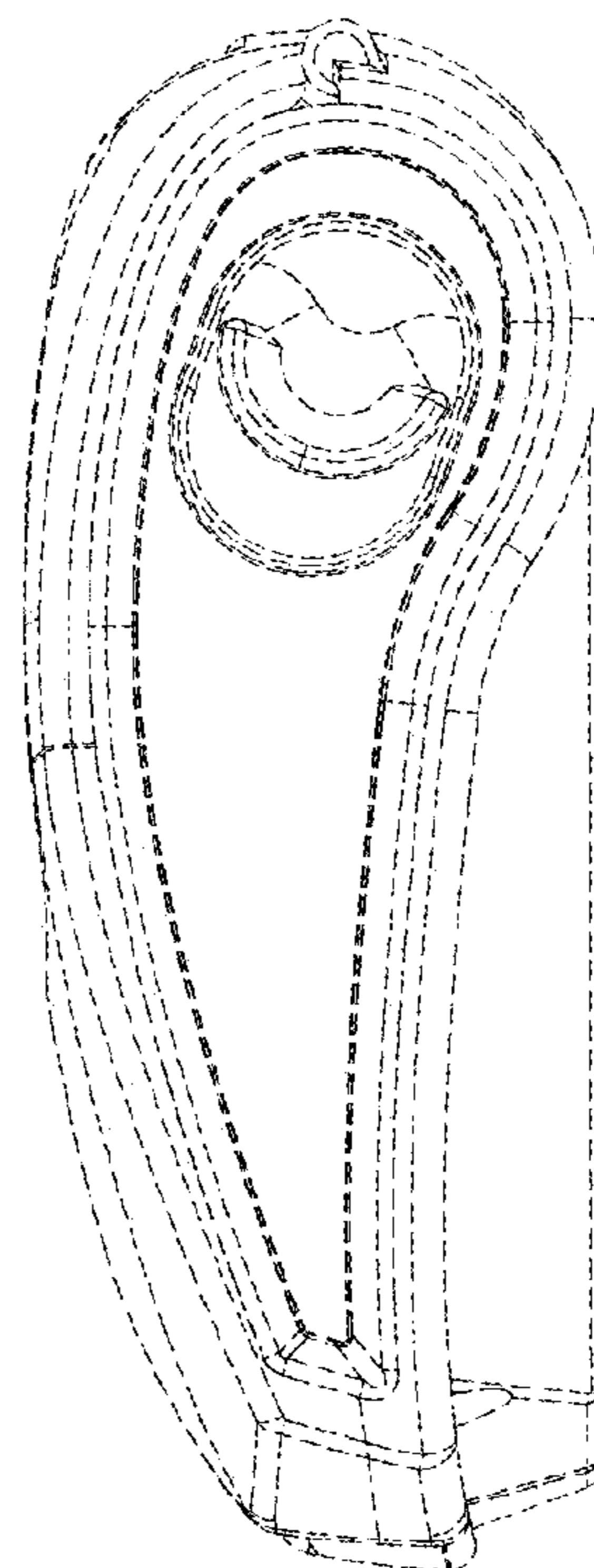


FIG. 6

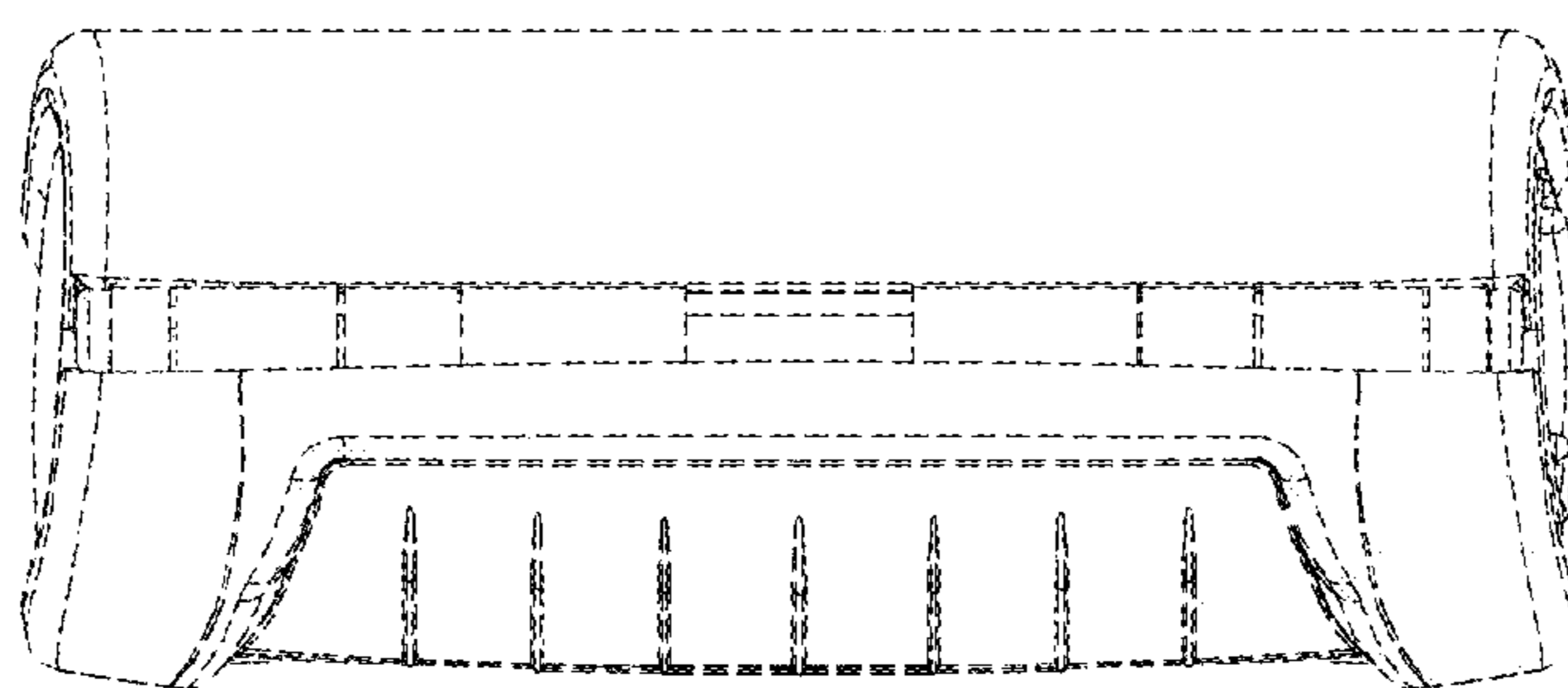


FIG. 7

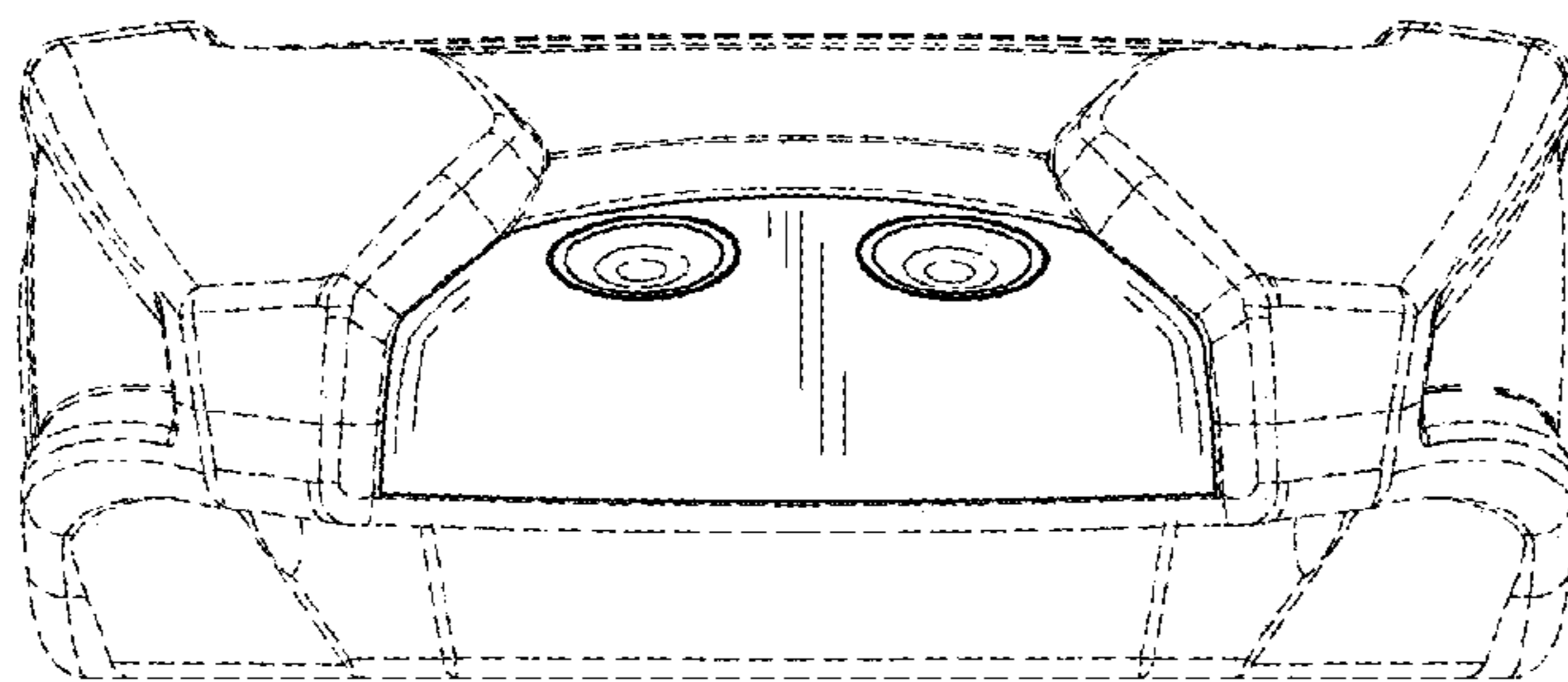


FIG. 8