



US00D873907S

(12) **United States Design Patent**
Trombley

(10) **Patent No.:** **US D873,907 S**
(45) **Date of Patent:** **** Jan. 28, 2020**

(54) **CYMBAL SHIELD**

FOREIGN PATENT DOCUMENTS

(71) Applicant: **Trombley Industries, LLC**, Castle Rock, CO (US)

JP H02187792 A 7/1990
WO WO-2010044651 A2 * 4/2010 G10D 13/06

(72) Inventor: **Benjamin Trombley**, Castle Rock, CO (US)

OTHER PUBLICATIONS

(73) Assignee: **Trombley Industries, LLC**, Castle Rock, CO (US)

Amazon, RockSolid Drum practice Pad, posted Feb. 1, 2012, [online], [visited Jun. 28, 2019]. Internet, URL: https://www.amazon.co.uk/Drum-Kit-Silencer-Practice-Pads/dp/B0074A9O4W/ref=olp_product_details?_encoding=UTF8&me= (Year: 2012).*
Youtube, The Cymbal Shield promo, posted Mar. 27, 2017, [online], [visited Jun. 28, 2019]. Internet, URL: <https://www.youtube.com/watch?v=80ZeTjQAEYI> (Year: 2017).*

(**) Term: **15 Years**

(21) Appl. No.: **29/632,990**

* cited by examiner

(22) Filed: **Jan. 11, 2018**

(51) **LOC (12) Cl.** **17-04**

Primary Examiner — Sheryl Lane

(52) **U.S. Cl.**

Assistant Examiner — Samantha N Wood

USPC **D17/22**

(74) *Attorney, Agent, or Firm* — Hall Estill Attorneys at Law; Gordon R. Lindeen, III

(58) **Field of Classification Search**

USPC D17/22, 23, 99; D14/204, 217, 221, 222, D14/261, 299, 216, 203.8, 209.1, 167, D14/483; D9/695, 715, 721, 502, 414; D3/273, 300, 298, 304, 323, 318; D8/354, 356, 359

(57) **CLAIM**

CPC G10D 13/00; G10D 13/06; G10D 13/065; A45C 13/02

The ornamental design for a cymbal shield, as shown and described.

See application file for complete search history.

DESCRIPTION

(56) **References Cited**

U.S. PATENT DOCUMENTS

| | | | | |
|-----------------|---------|-------------|-------|--------|
| D86,705 S * | 4/1932 | Dopyera | | D17/99 |
| D216,441 S * | 1/1970 | Ross | | D17/22 |
| D339,818 S * | 9/1993 | Peterson | | D17/22 |
| D473,053 S * | 4/2003 | Spitler | | D3/273 |
| D597,589 S * | 8/2009 | Onishi | | D17/22 |
| D741,149 S * | 10/2015 | Koop | | D8/356 |
| D763,953 S * | 8/2016 | Kenkman | | D17/22 |
| 2013/0255471 A1 | 10/2013 | Prefontaine | | |

FIG. 1 is a front perspective view of a cymbal shield, showing my new design;

FIG. 2 is a top view of the cymbal shield in use condition.

FIG. 3 is a bottom view thereof.

FIG. 4 is a front view thereof.

FIG. 5 is a rear view thereof.

FIG. 6 is a right side view thereof; and,

FIG. 7 is a left side view thereof.

The broken lines showing portions of the crash cymbal and portions of the stand are included for the purpose of depicting the environmental structure and form no part of the claimed design.

1 Claim, 7 Drawing Sheets

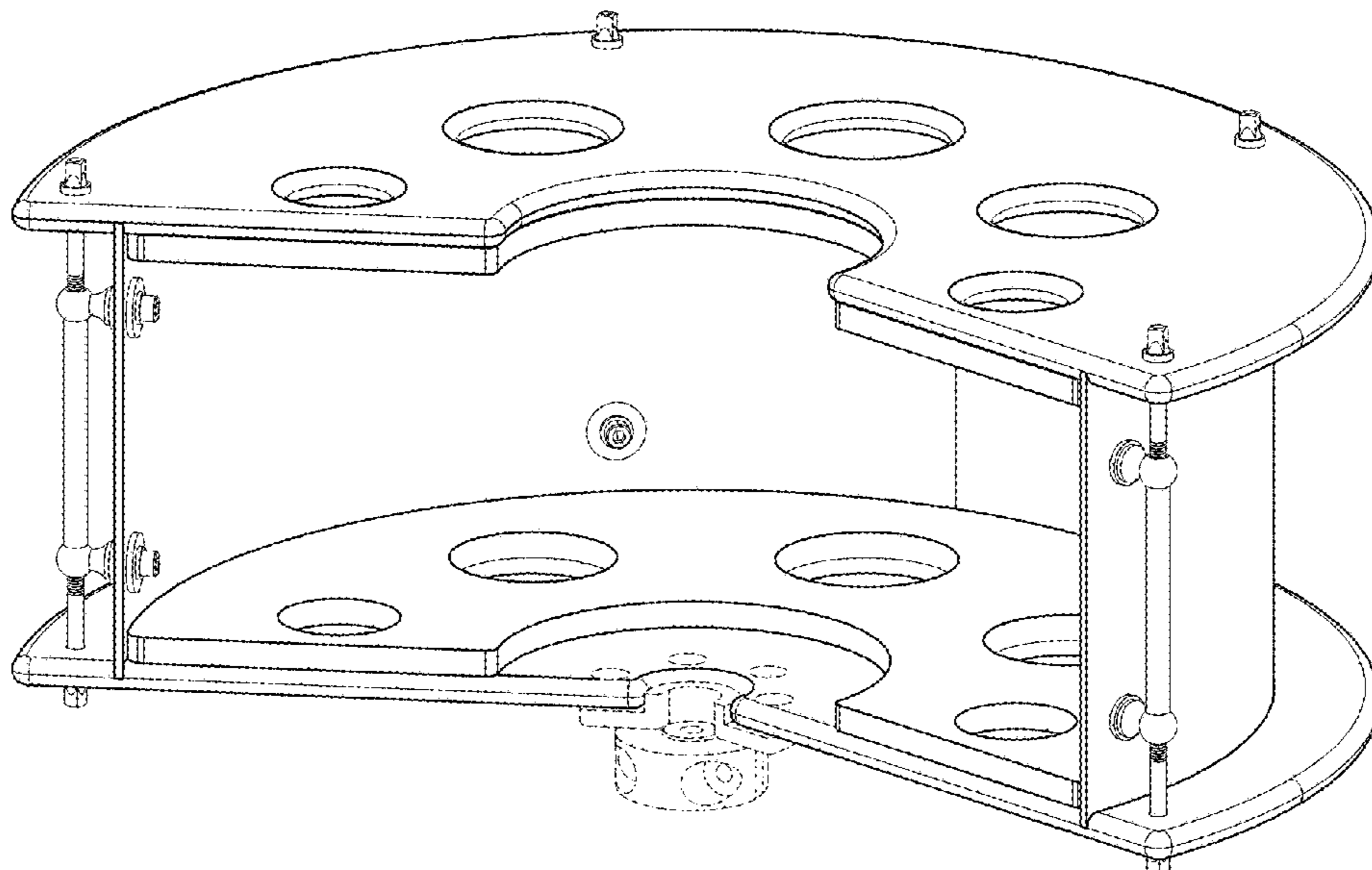
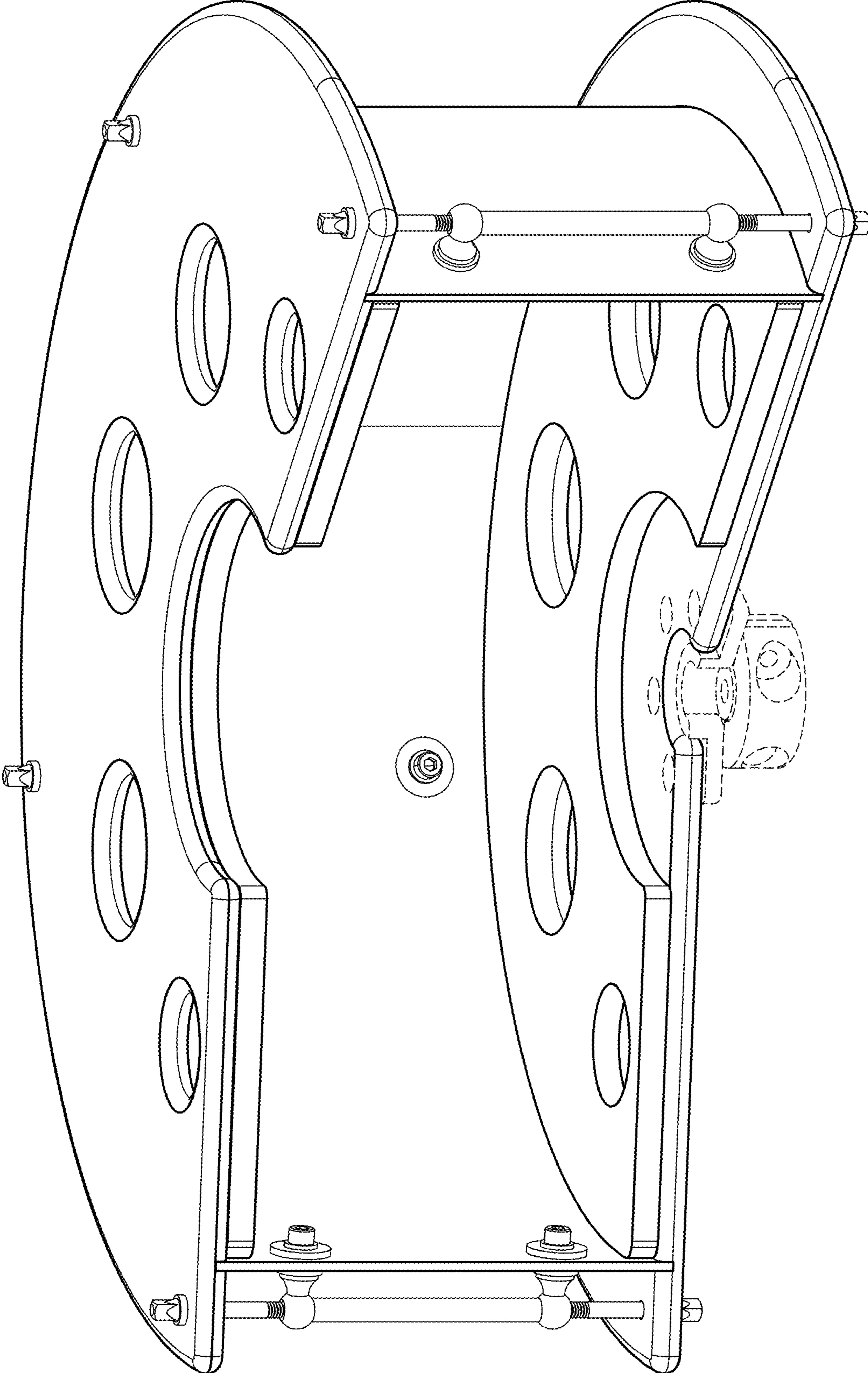


FIG. 1



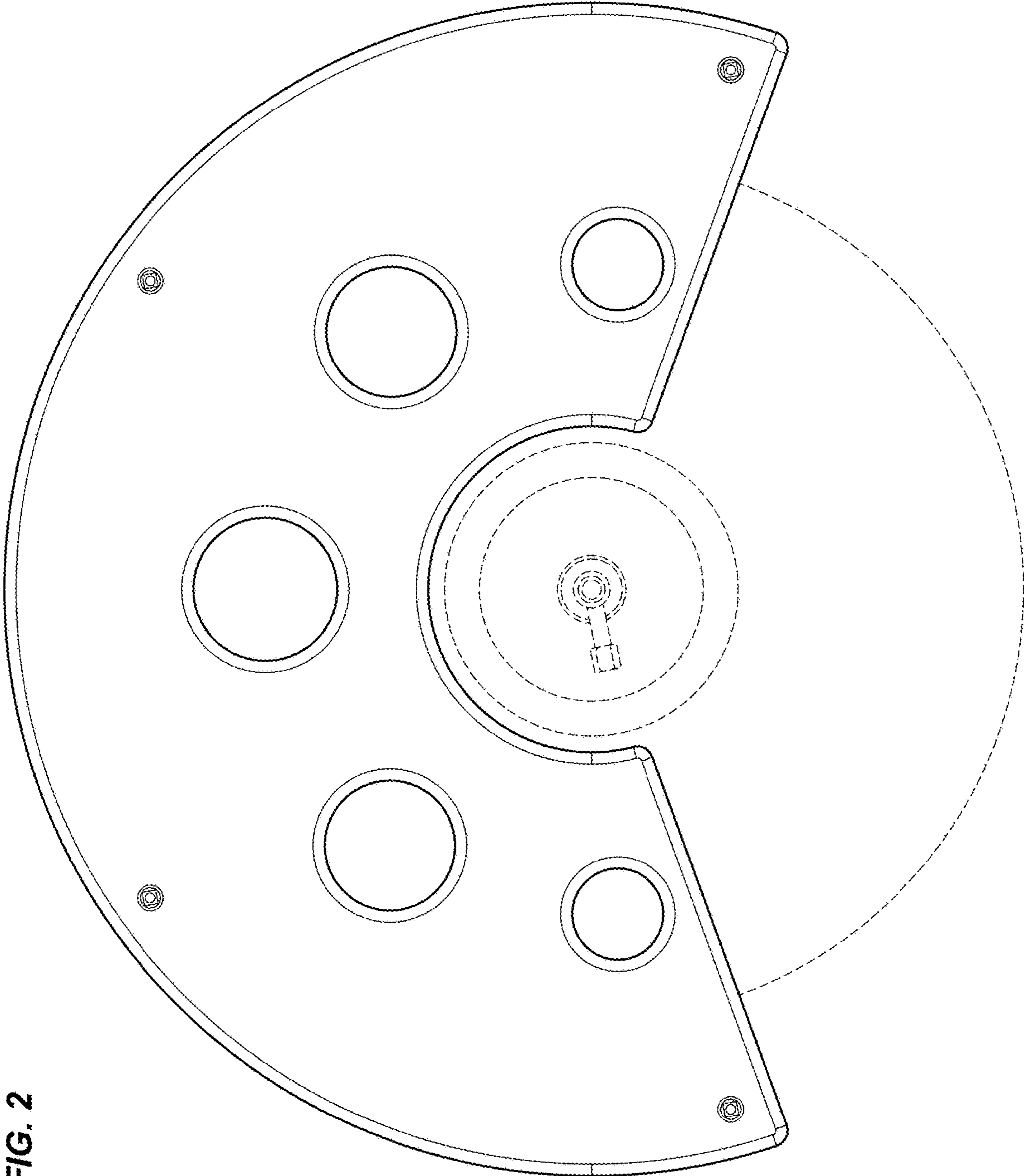


FIG. 2

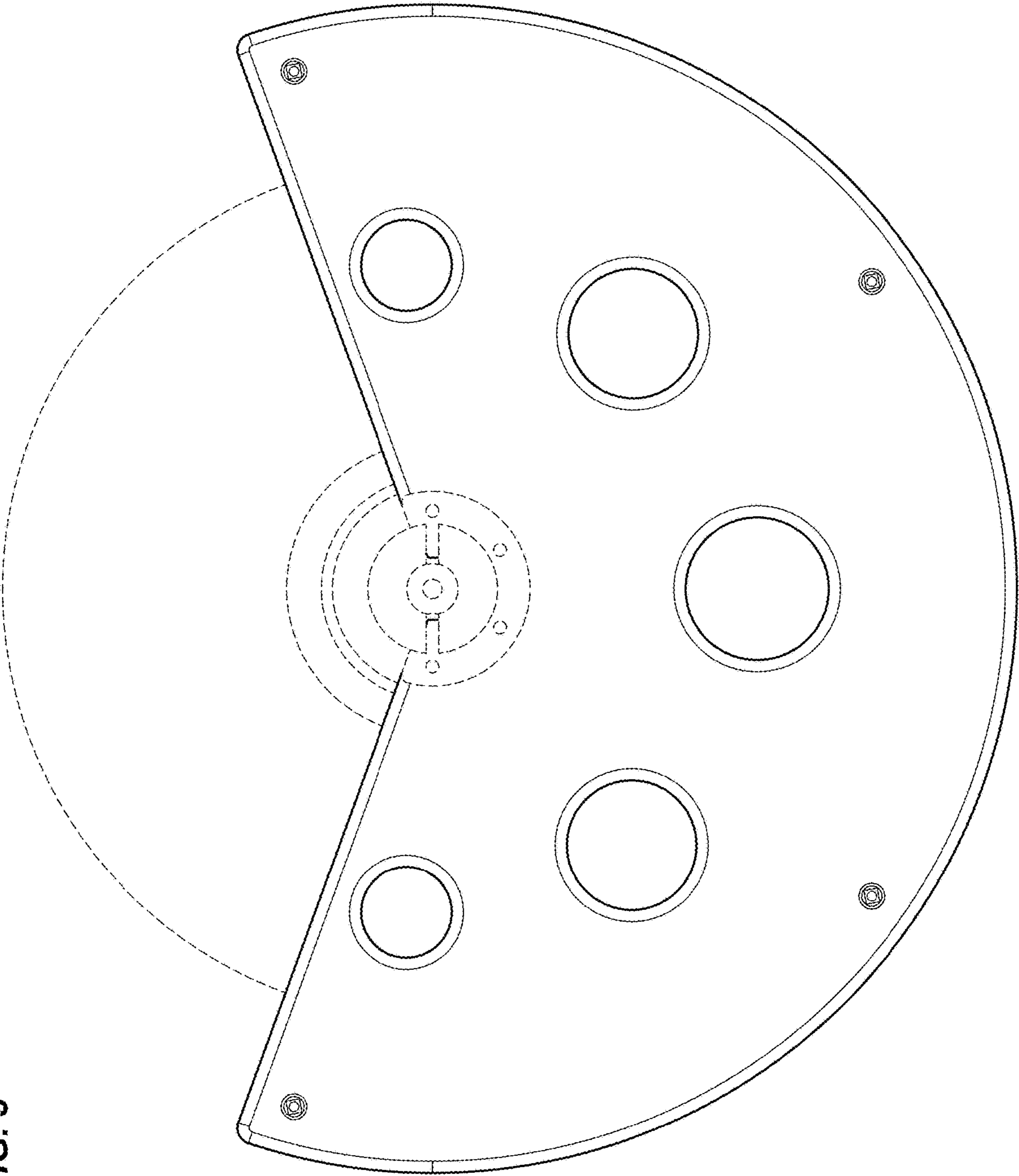


FIG. 3

FIG. 4

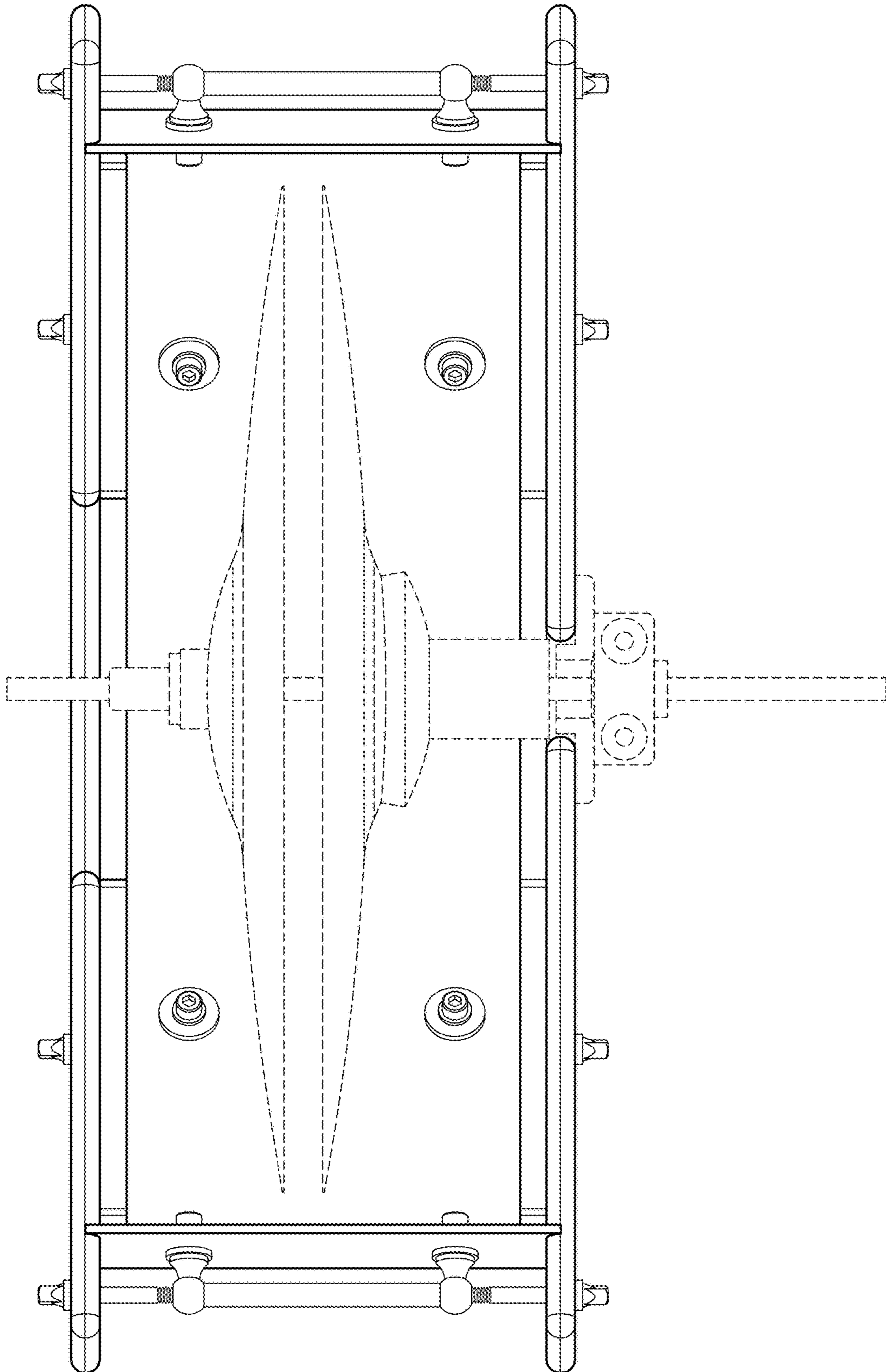


FIG. 5

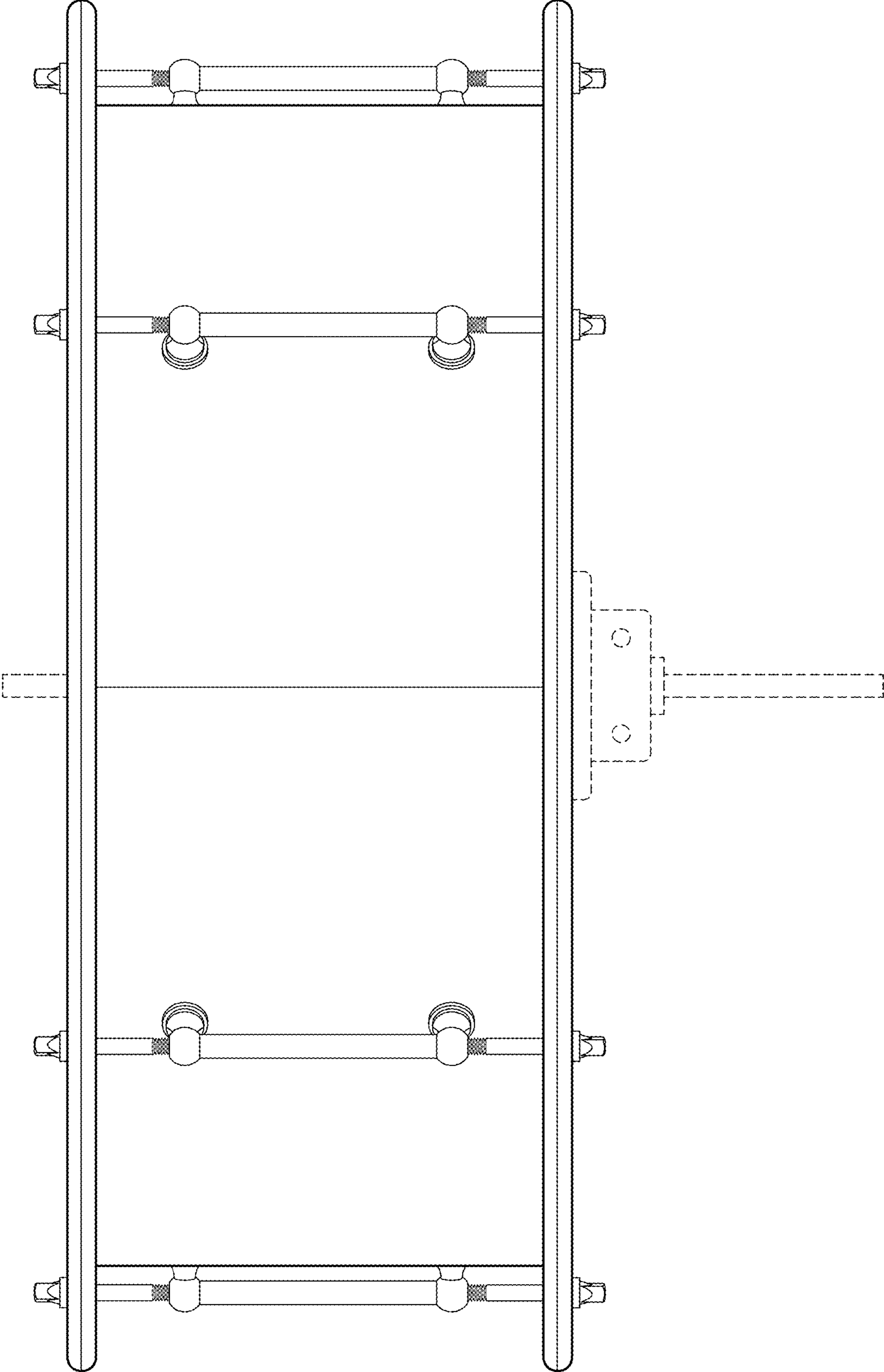


FIG. 6

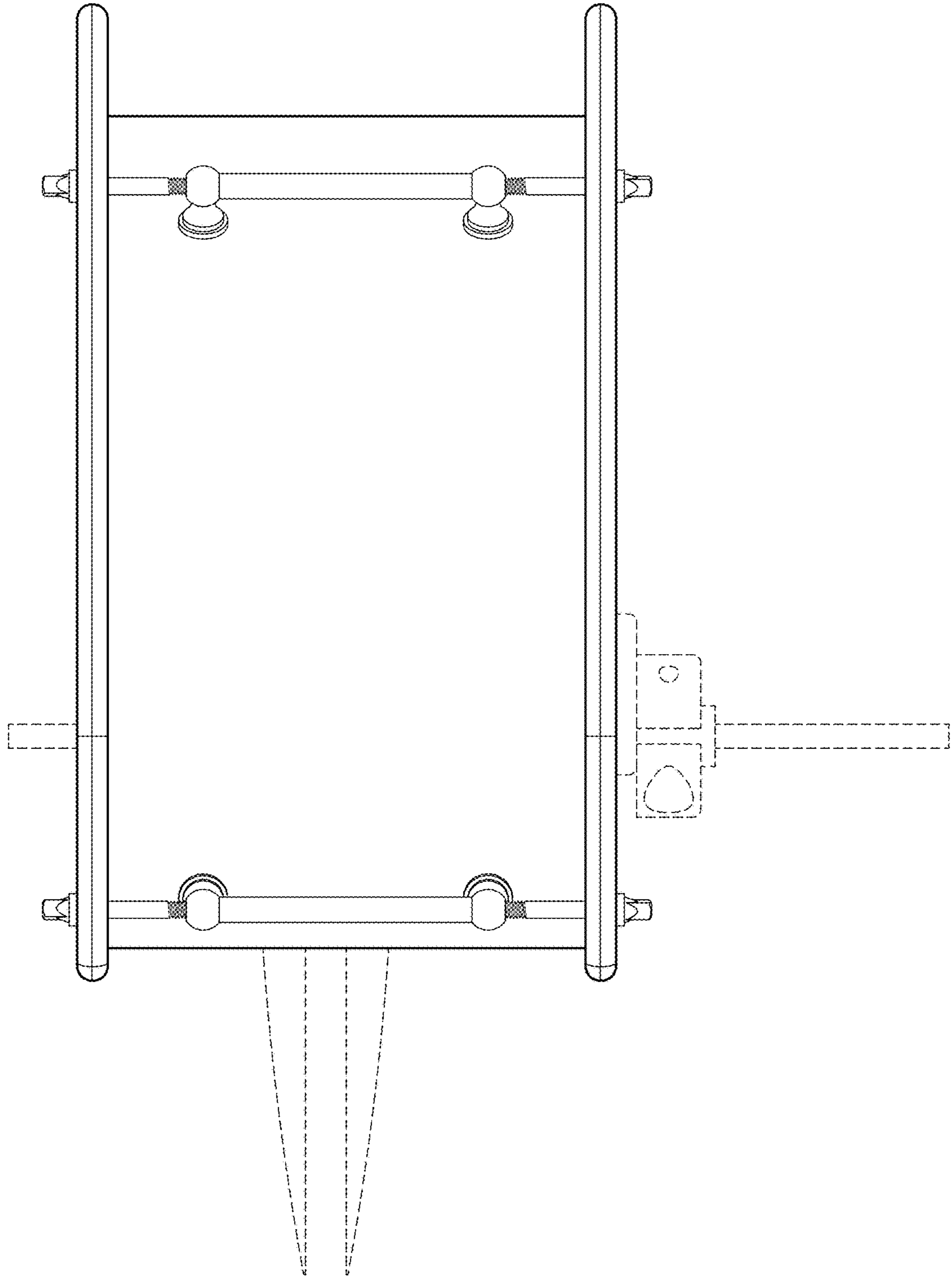


FIG. 7

