



US00D873906S

(12) **United States Design Patent**
Trombley

(10) **Patent No.:** **US D873,906 S**
(45) **Date of Patent:** **** Jan. 28, 2020**

(54) **CYMBAL SHIELD**

- (71) Applicant: **Trombley Industries, LLC**, Castle Rock, CO (US)
- (72) Inventor: **Benjamin Trombley**, Castle Rock, CO (US)
- (73) Assignee: **Trombley Industries, LLC**, Castle Rock, CO (US)

(**) Term: **15 Years**

(21) Appl. No.: **29/632,986**

(22) Filed: **Jan. 11, 2018**

(51) **LOC (12) Cl.** **17-04**

(52) **U.S. Cl.**
USPC **D17/22**

(58) **Field of Classification Search**
USPC D17/22, 23, 99; D14/204, 217, 221, 222, D14/261, 299, 216, 203.8, 209.1, 167, D14/483; D9/695, 715, 721, 502, 414; D3/273, 300, 298, 304, 323, 318; D8/354, 356, 359

CPC G10D 13/00; G10D 13/06; G10D 13/065; A45C 13/02

See application file for complete search history.

(56) **References Cited**

U.S. PATENT DOCUMENTS

D86,705 S *	4/1932	Dopyera	D17/99
D473,053 S *	4/2003	Spitler	D3/273
D597,589 S *	8/2009	Onishi	D17/22
D741,149 S *	10/2015	Koop	D8/356
2013/0255471 A1	10/2013	Prefontaine		

FOREIGN PATENT DOCUMENTS

JP	H02187792 A	7/1990	
WO	WO-2010044651 A2 *	4/2010 G10D 13/06

OTHER PUBLICATIONS

Amazon, RockSolid Drum practice Pad, posted Feb. 1, 2012, [online], [visited Jun. 28, 2019]. Internet, URL: https://www.amazon.co.uk/Drum-Kit-Silencer-Practice-Pads/dp/B0074A904W/ref=olp_product_details?_encoding=UTF8&me= (Year: 2012).*
Youtube, The Cymbal Shield promo, posted Mar. 27, 2017, [online], [visited Jun. 28, 2019]. Internet, URL: <https://www.youtube.com/watch?v=80ZeTjQAEYI> (Year: 2017).*

* cited by examiner

Primary Examiner — Sheryl Lane

Assistant Examiner — Samantha N Wood

(74) *Attorney, Agent, or Firm* — Hall Estill Attorneys at Law; Gordon R. Lindeen, III

(57) **CLAIM**

The ornamental design for a cymbal shield, as shown and described.

DESCRIPTION

FIG. 1 is a front perspective view of a cymbal shield, showing my new design;
FIG. 2 is a top view of the cymbal shield, in use condition.
FIG. 3 is a bottom view thereof.
FIG. 4 is a front view thereof.
FIG. 5 is a back view thereof.
FIG. 6 is a right side view thereof; and,
FIG. 7 is a left side view thereof.
The broken lines showing portions of the crash cymbal and portions of the stand are included for the purpose of depicting the environmental structure and form no part of the claimed design.

1 Claim, 7 Drawing Sheets

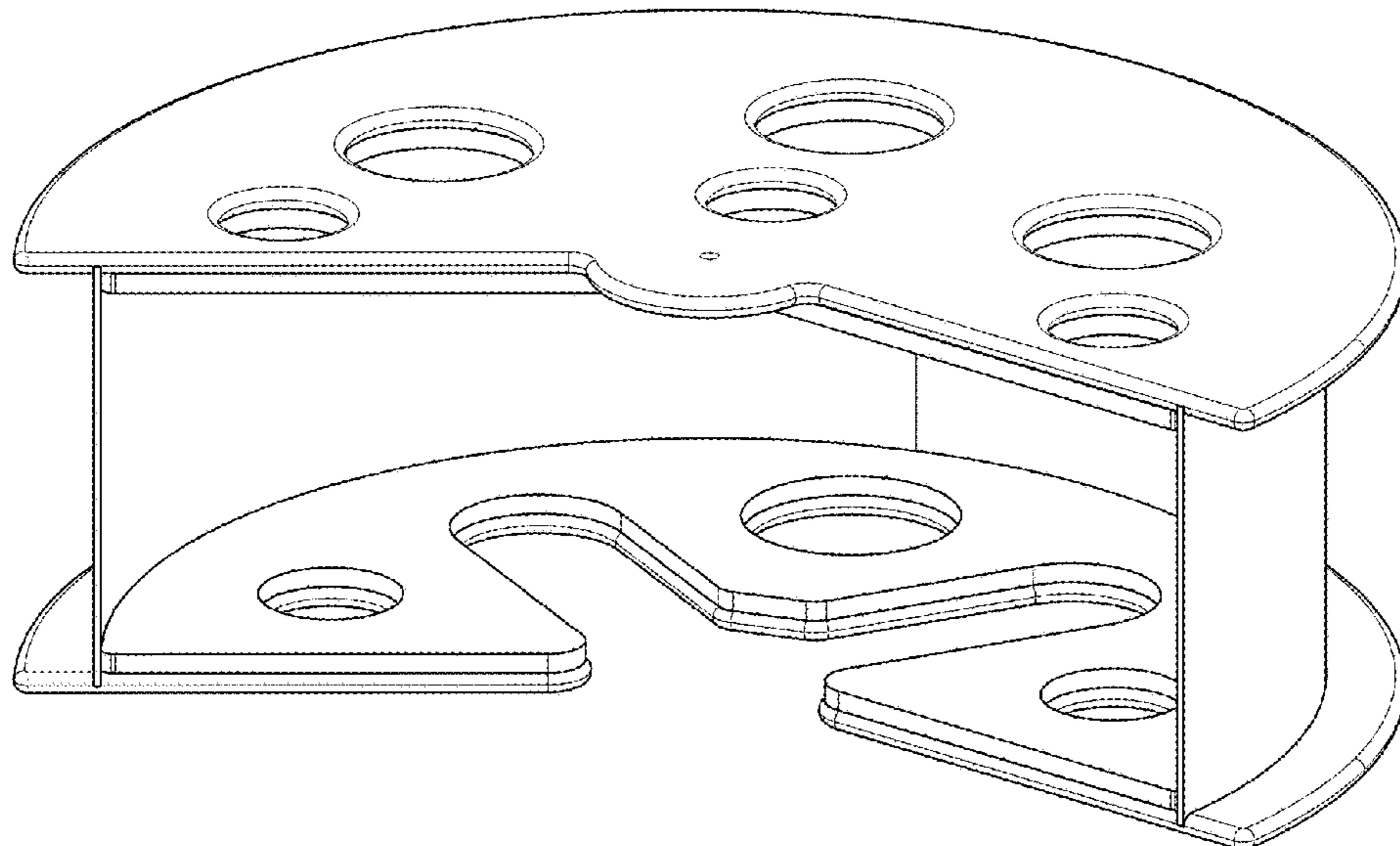
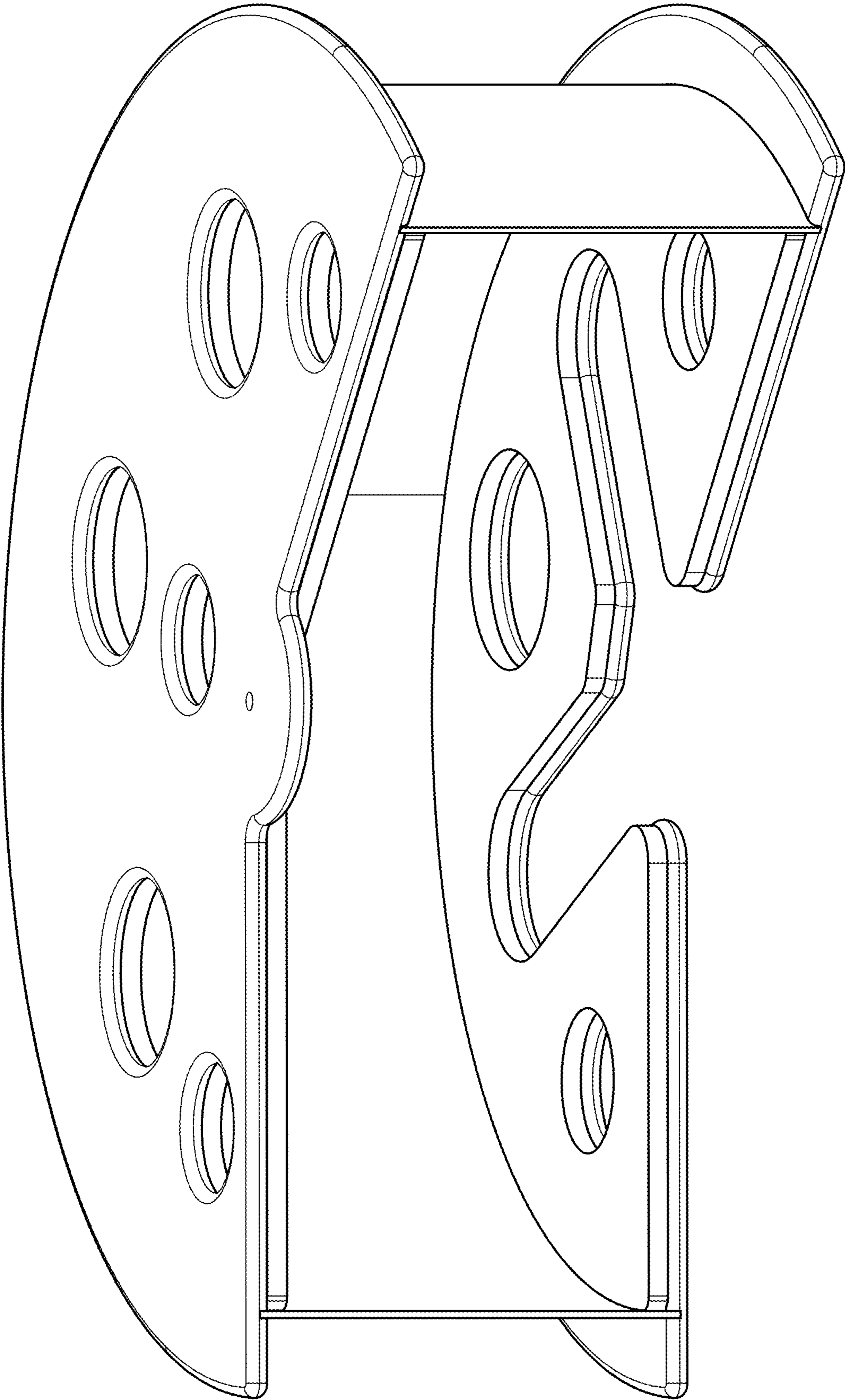


FIG. 1



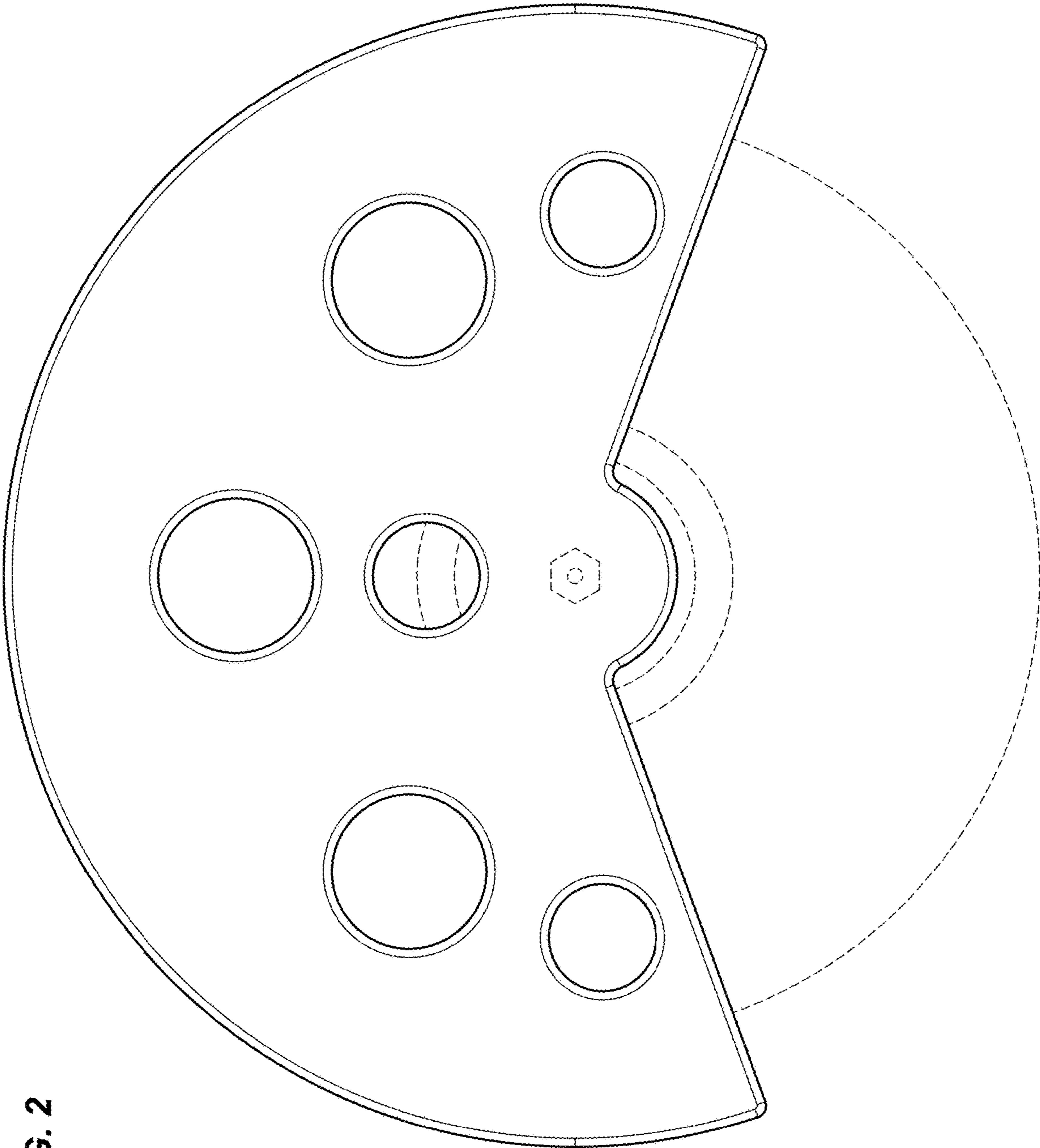


FIG. 2

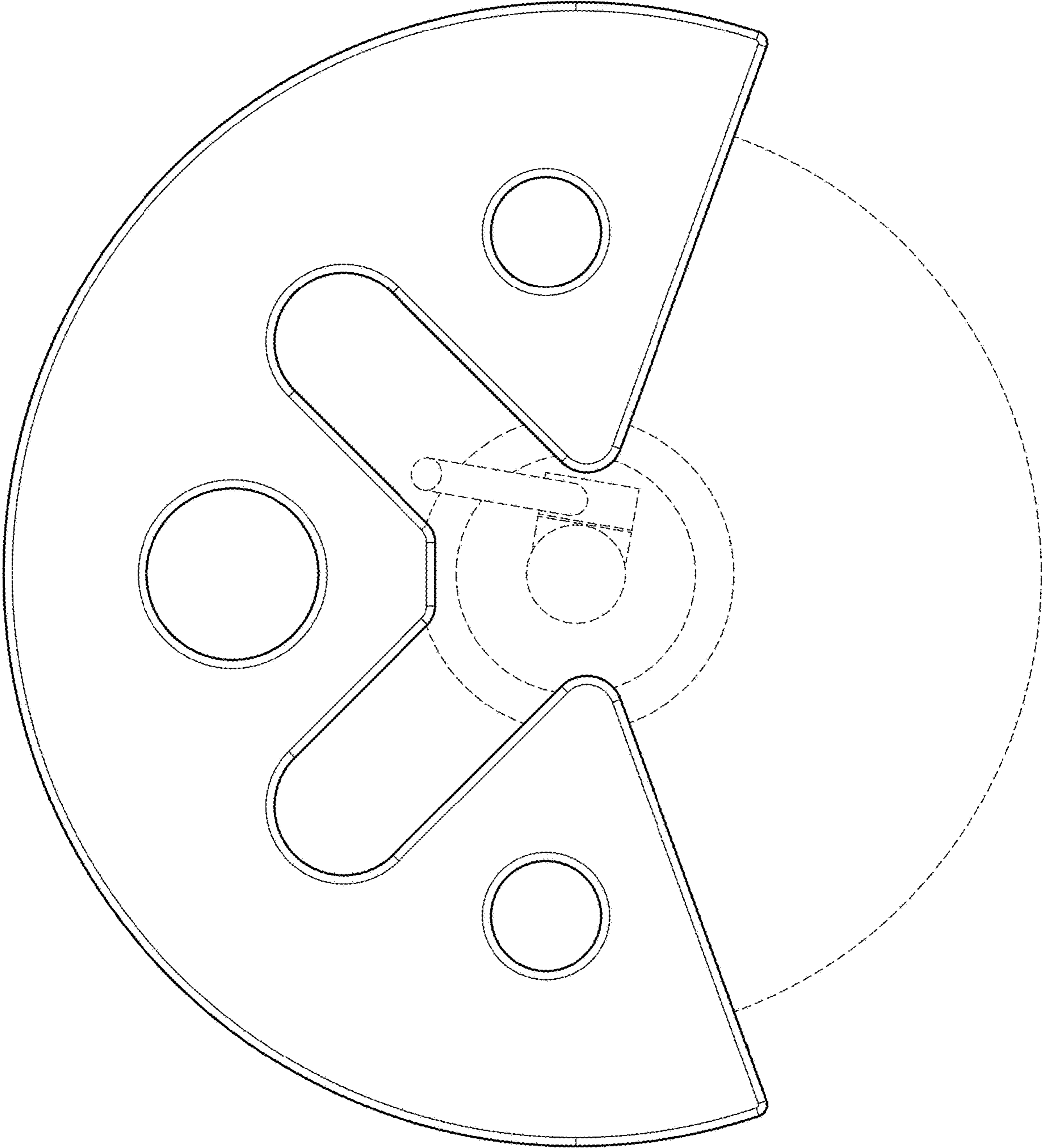


FIG. 3

FIG. 4

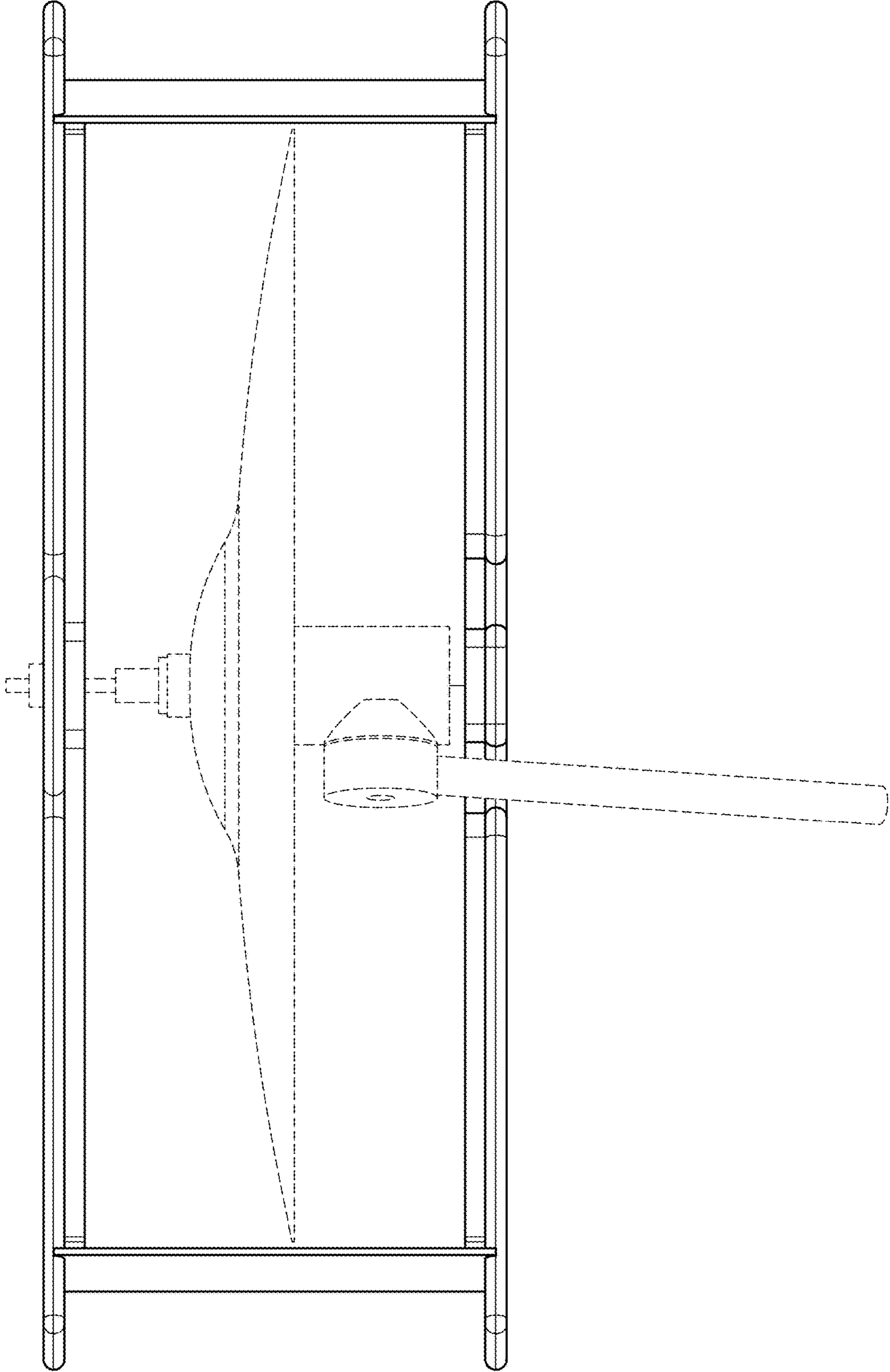


FIG. 5

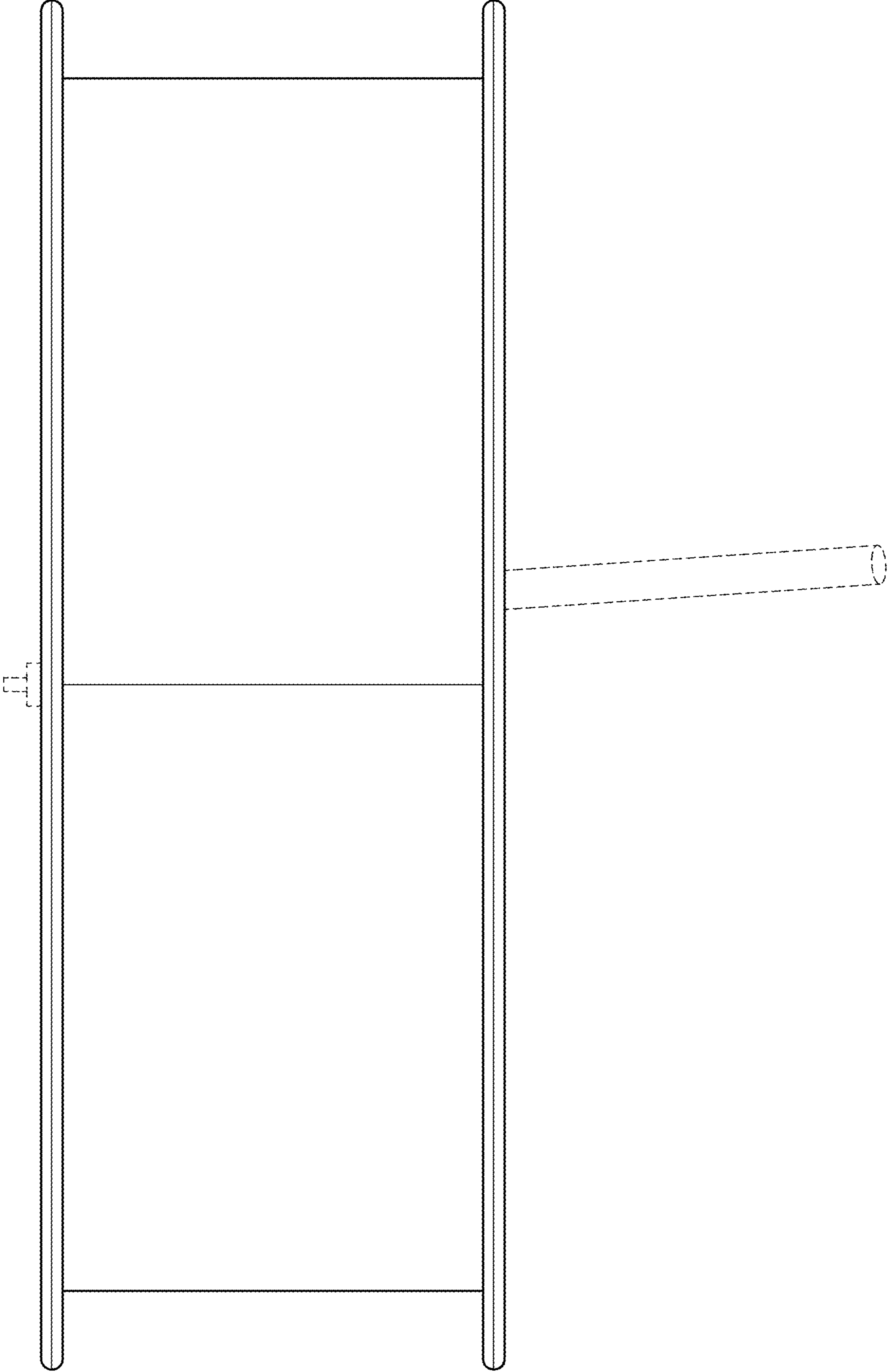


FIG. 6

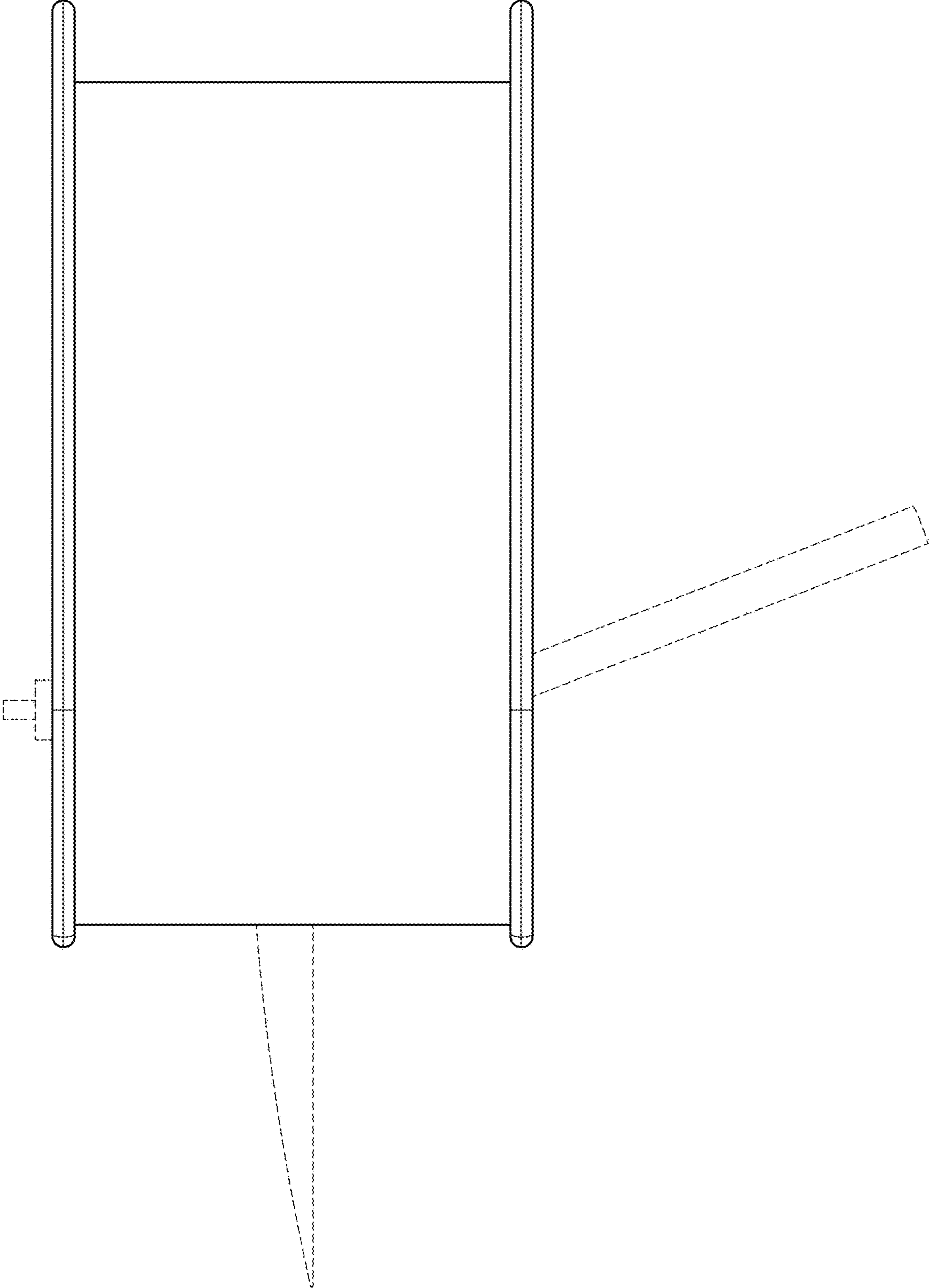


FIG. 7

