



US00D873904S

(12) **United States Design Patent**
Trombley

(10) **Patent No.:** **US D873,904 S**
(45) **Date of Patent:** **** Jan. 28, 2020**

(54) **CYMBAL SHIELD**

OTHER PUBLICATIONS

- (71) Applicant: **Trombley Industries, LLC**, Castle Rock, CO (US)
- (72) Inventor: **Benjamin Trombley**, Castle Rock, CO (US)
- (73) Assignee: **Trombley Industries, LLC**, Castle Rock, CO (US)

Amazon, RockSolid Drum practice Pad, posted Feb. 1, 2012, [online], [visited Jun. 28, 2019]. Internet, URL: https://www.amazon.co.uk/Drum-Kit-Silencer-Practice-Pads/dp/B0074A9O4W/ref=olp_product_details?_encoding=UTF8&me= (Year: 2012).*

Youtube, The Cymbal Shield promo, posted Mar. 27, 2017, [online], [visited Jun. 28, 2019]. Internet, URL: <https://www.youtube.com/watch?v=80ZeTjQAEYI> (Year: 2017).*

(**) Term: **15 Years**

* cited by examiner

(21) Appl. No.: **29/632,969**

Primary Examiner — Sheryl Lane

(22) Filed: **Jan. 11, 2018**

Assistant Examiner — Samantha N Wood

(51) **LOC (12) Cl.** **17-04**

(74) *Attorney, Agent, or Firm* — Hall Estill Attorneys at Law; Gordon R. Lindeen, III

(52) **U.S. Cl.**

USPC **D17/22**

(58) **Field of Classification Search**

USPC D17/22, 23, 99; D14/204, 217, 221, 222, D14/261, 299, 216, 203.8, 209.1, 167, D14/483; D9/695, 715, 721, 502, 414; D3/273, 300, 298, 304, 323, 318; D8/354, 356, 359

CPC G10D 13/00; G10D 13/06; G10D 13/065; A45C 13/02

See application file for complete search history.

(57) **CLAIM**

The ornamental design for a cymbal shield, as shown and described.

DESCRIPTION

FIG. 1 is a front perspective view of a cymbal shield, showing my new design;

FIG. 2 is a top view of the cymbal shield, in use condition.

FIG. 3 is a bottom view thereof.

FIG. 4 is a front view thereof.

FIG. 5 is a back view thereof.

FIG. 6 is a right side view thereof; and,

FIG. 7 is a left side view thereof.

The broken lines showing portions of the crash cymbal and portions of the stand are included for the purpose of depicting the environmental structure and form no part of the claimed design.

(56) **References Cited**

U.S. PATENT DOCUMENTS

- D86,705 S * 4/1932 Dopyera D17/99
- D473,053 S * 4/2003 Spitler D3/273
- D741,149 S * 10/2015 Koop D8/356
- 2013/0255471 A1 10/2013 Prefontaine

FOREIGN PATENT DOCUMENTS

- JP H02187792 A 7/1990
- WO WO-2010044651 A2 * 4/2010 G10D 13/06

1 Claim, 7 Drawing Sheets

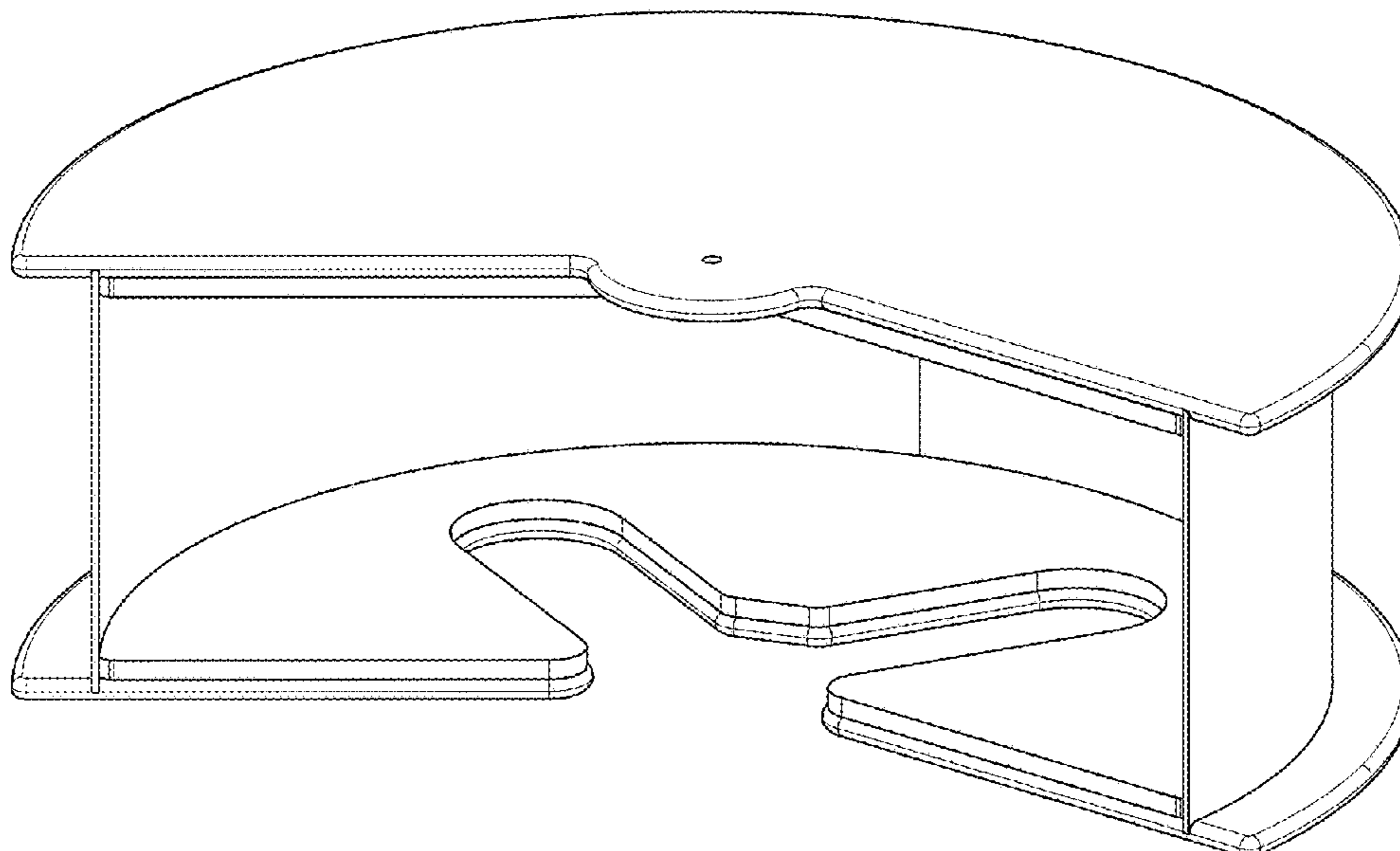
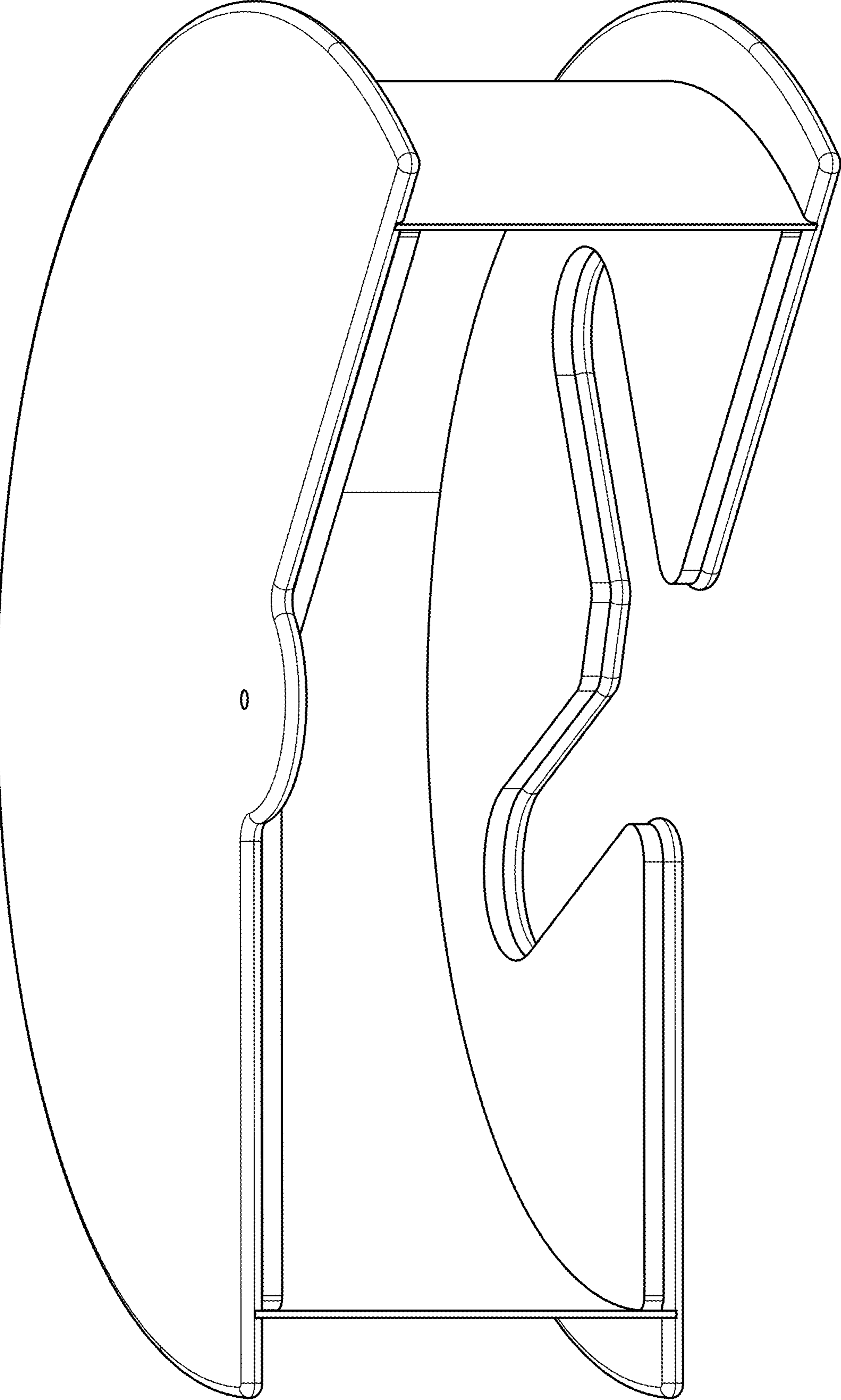


FIG. 1



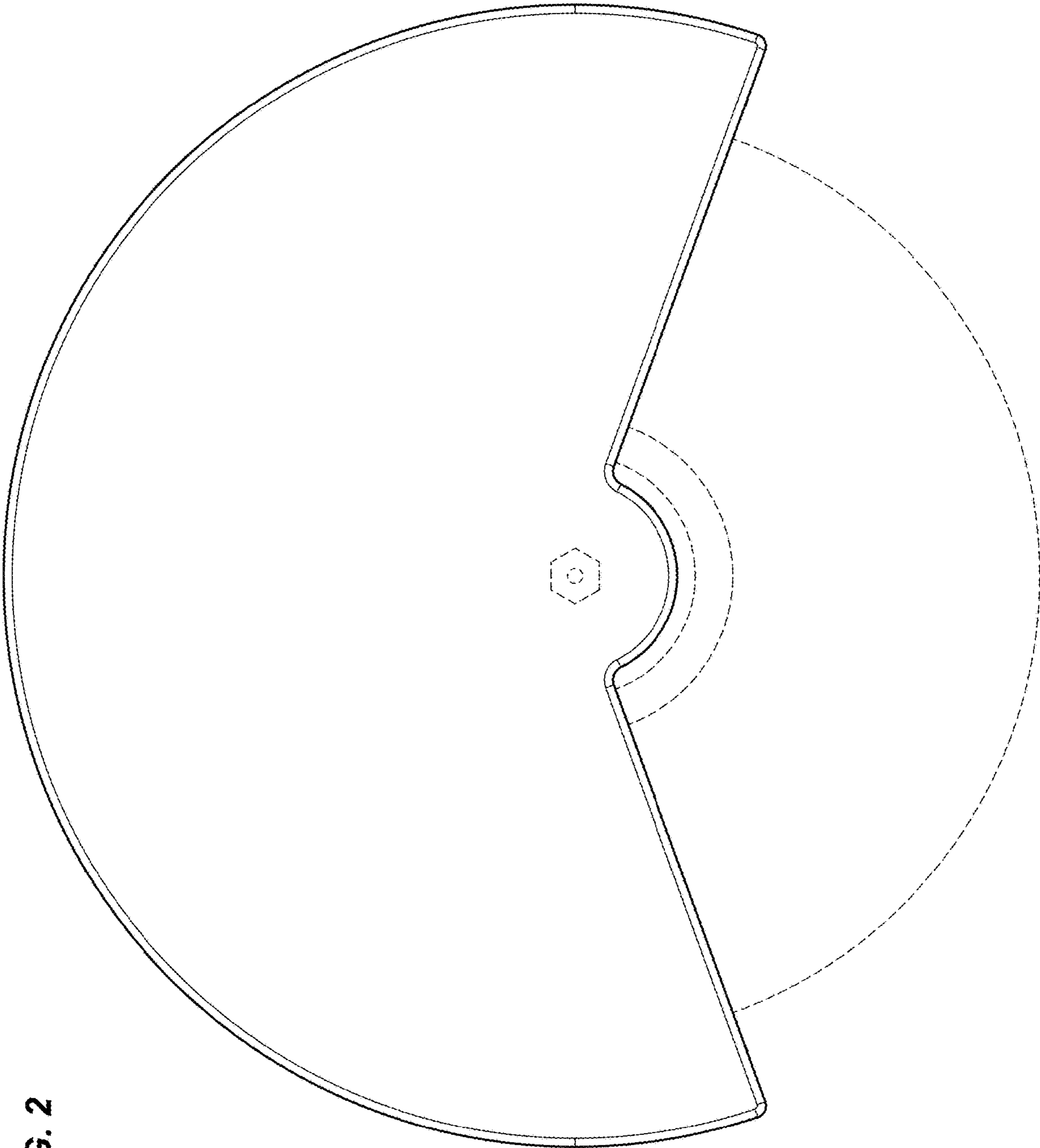


FIG. 2

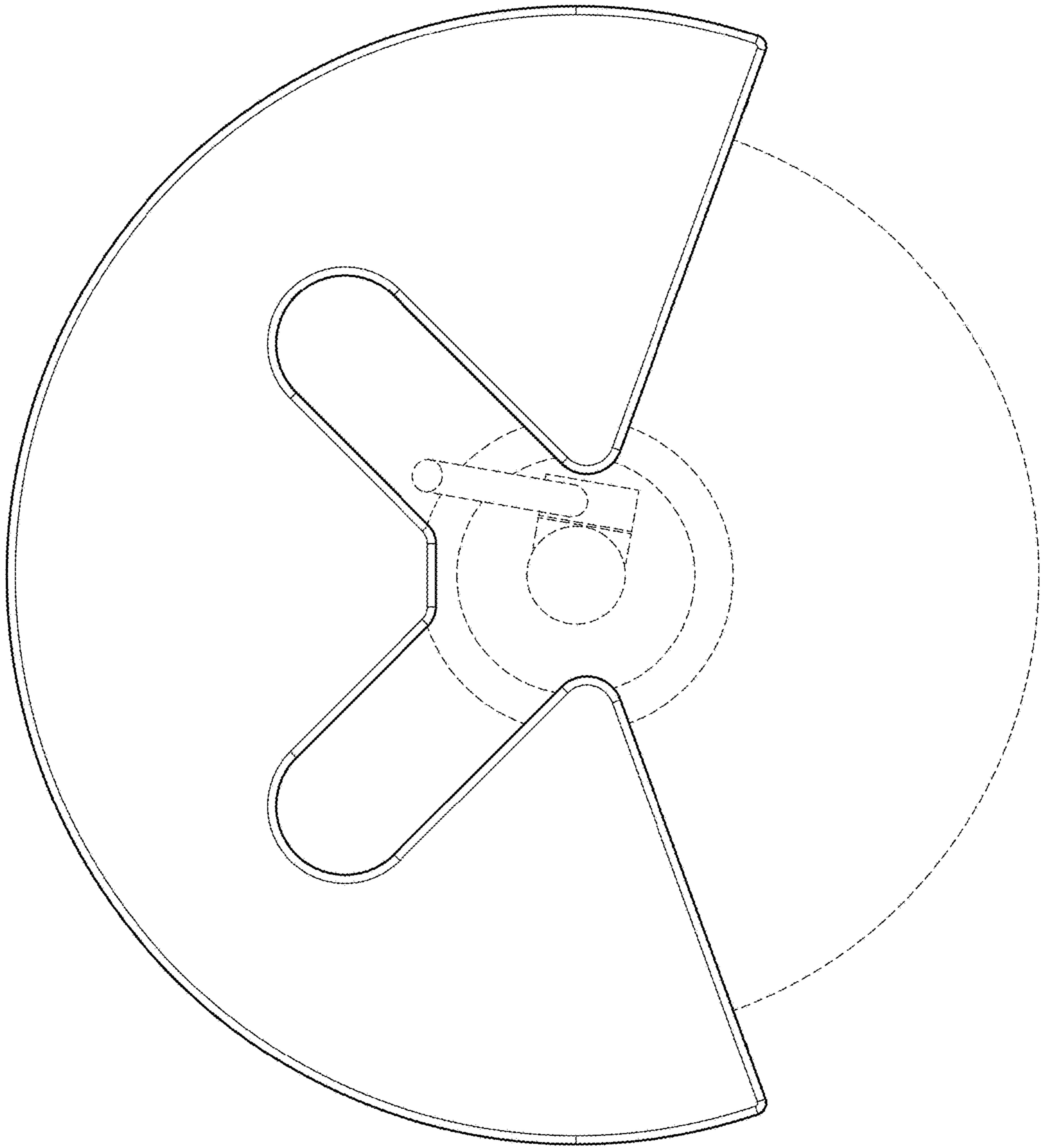


FIG. 3

FIG. 4

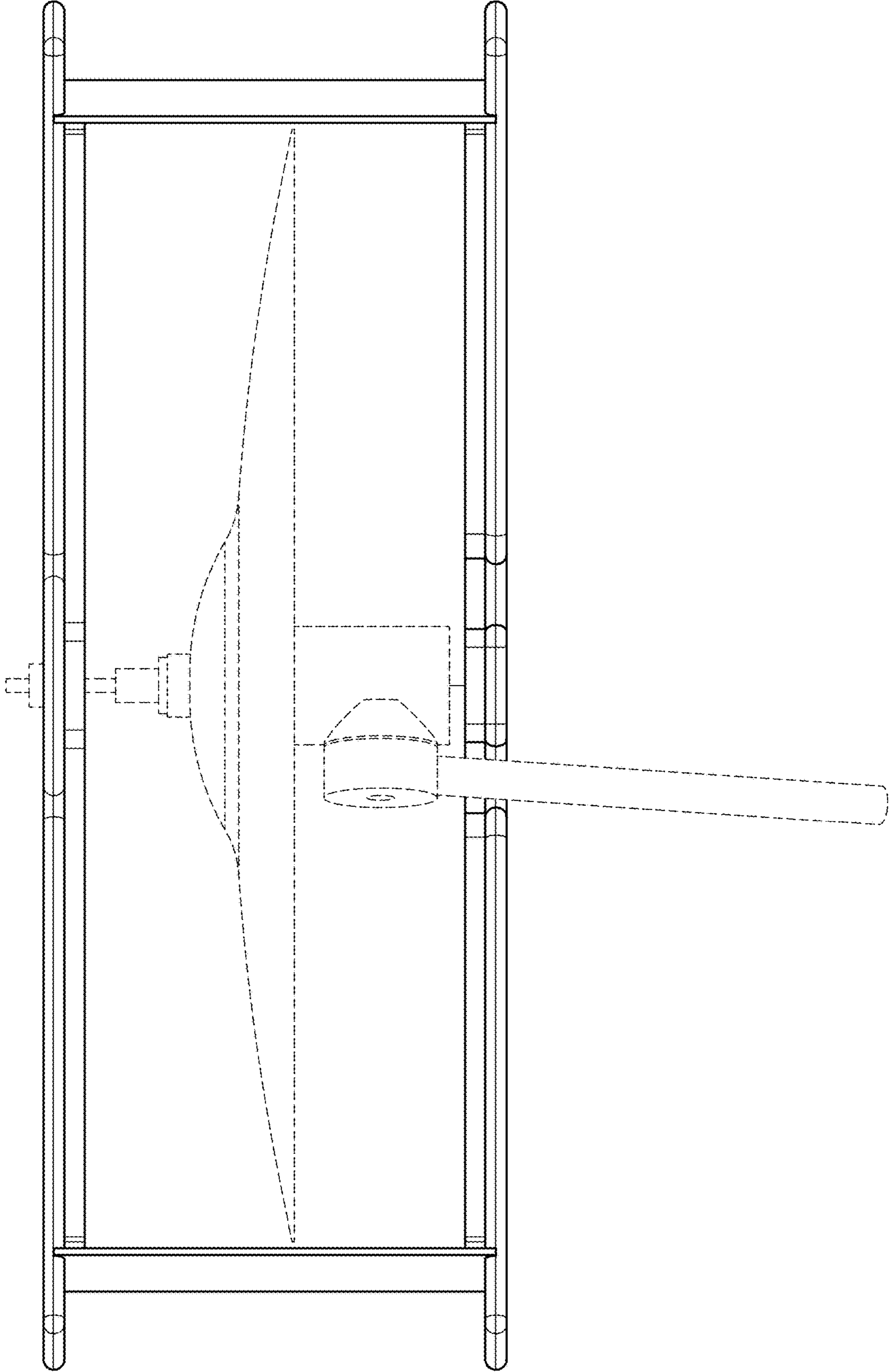


FIG. 5

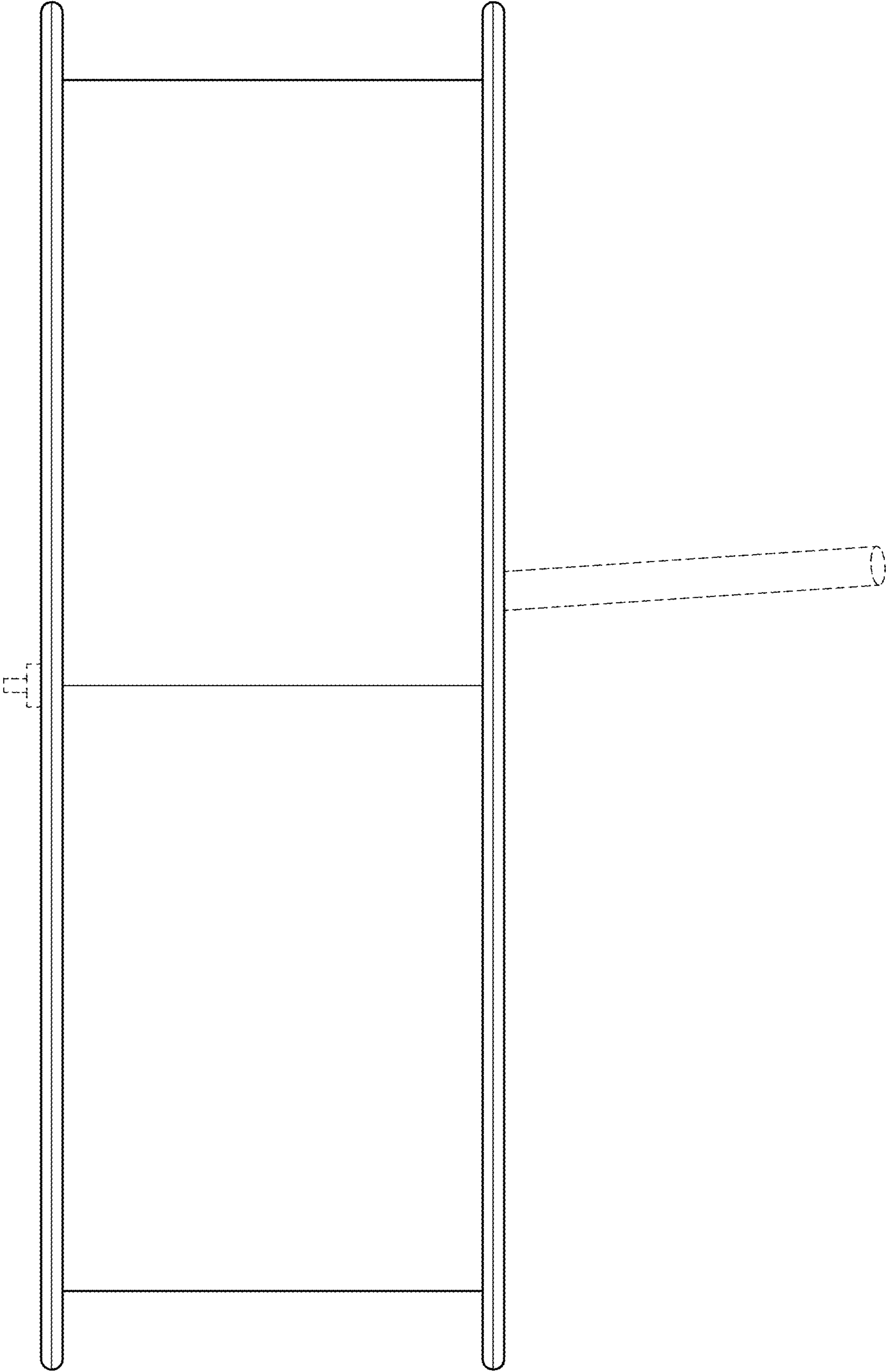


FIG. 6

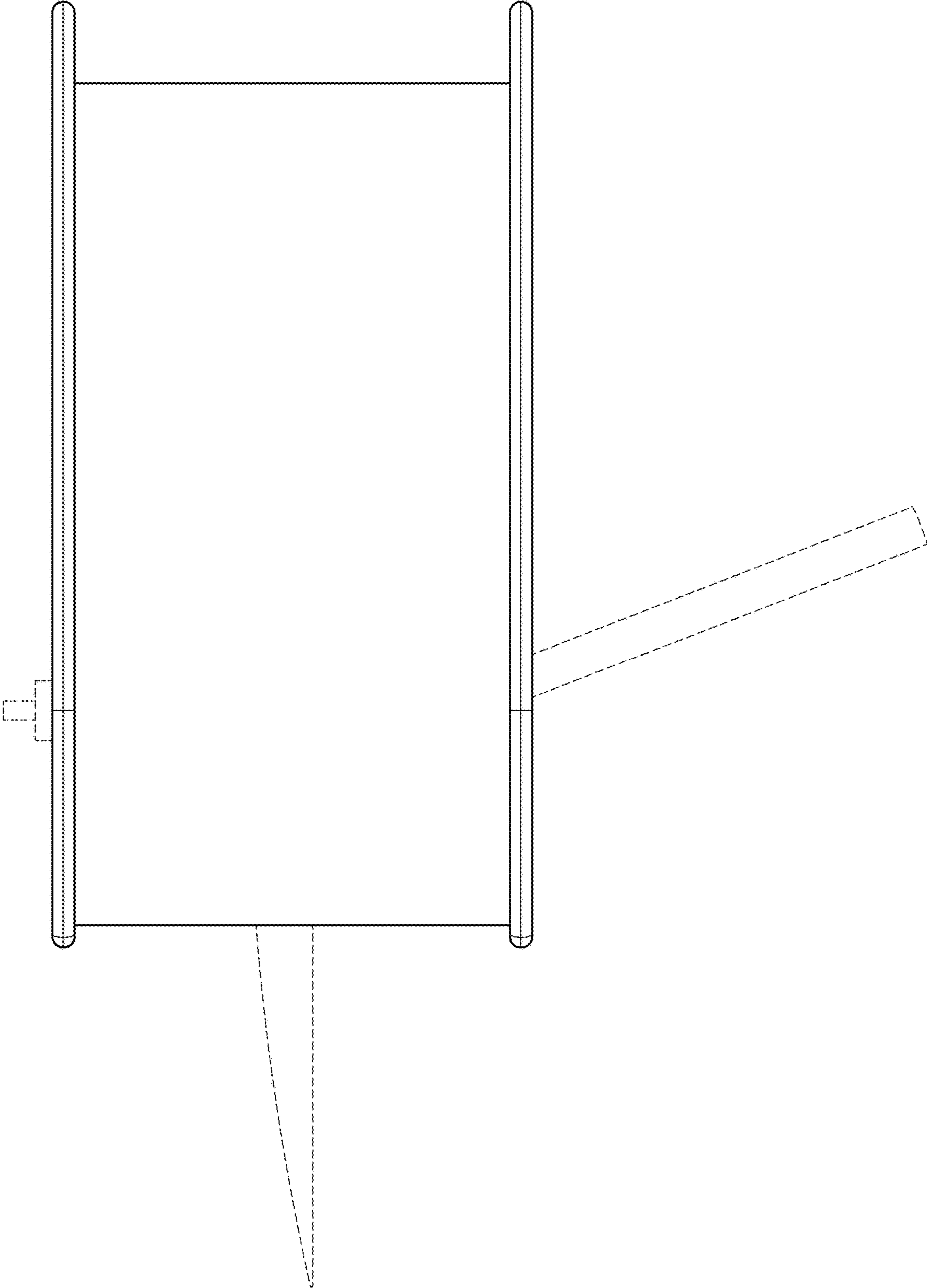


FIG. 7

