



US00D873900S

(12) **United States Design Patent**
Hedayat

(10) **Patent No.:** **US D873,900 S**
(45) **Date of Patent:** **** Jan. 28, 2020**

(54) **EYEWEAR DEVICE**

(71) Applicant: **Arman Hedayat**, Windermere, FL (US)

(72) Inventor: **Arman Hedayat**, Windermere, FL (US)

(73) Assignee: **SEAGOGGS, INC.**, Winter Garden, FL (US)

(**) Term: **15 Years**

(21) Appl. No.: **29/667,763**

(22) Filed: **Oct. 24, 2018**

Related U.S. Application Data

(62) Division of application No. 29/540,357, filed on Sep. 23, 2015, now Pat. No. Des. 835,177.

(51) **LOC (12) Cl.** **16-06**

(52) **U.S. Cl.**

USPC **D16/312**

(58) **Field of Classification Search**

USPC D16/101, 300–342, 900; D29/109–110; D21/483, 659–661; D14/372; 351/41, 351/44, 45–48, 51–52, 62, 158, 92, 351/103–123, 140–153, 63, 59; 2/13, 15, 2/426–432, 447–449, 441, 434–437

CPC G02C 2200/08; G02C 1/06; G02C 5/14; G02C 11/02; G02C 11/04; G02C 5/16; G02C 2200/22; G02C 5/146; G02C 5/2254; G02C 5/008; G01C 5/16; A61M 2021/0044; A63B 33/002

See application file for complete search history.

(56) **References Cited**

U.S. PATENT DOCUMENTS

D765,759 S * 9/2016 Li D16/312
D771,040 S * 11/2016 Nuovo D14/372
D777,826 S * 1/2017 Shin D16/312
D800,825 S * 10/2017 Frosi D16/313

D802,651 S * 11/2017 Thixton D16/330
D805,576 S * 12/2017 Garfias D16/312
D811,664 S * 2/2018 Knauer D29/109
D819,026 S * 5/2018 Limaye D14/372
D828,866 S * 9/2018 Yoo D16/313
D831,732 S * 10/2018 Miera D16/313
10,274,748 B2 * 4/2019 Calilung G02C 5/143
D847,893 S * 5/2019 Muir D16/309
D847,897 S * 5/2019 Kim D16/330

(Continued)

Primary Examiner — Michelle E. Wilson

Assistant Examiner — Sanjeev Paul

(74) *Attorney, Agent, or Firm* — Timothy H. Van Dyke; Beusse, Wolter, Sanks & Maire PLLC

(57) **CLAIM**

The ornamental design for an eyewear device, as shown and described.

DESCRIPTION

FIG. 1 is a top-front perspective view of an eyewear device first embodiment.

FIG. 2 is a back perspective view of an eyewear device first embodiment.

FIG. 3 is a back view of an eyewear device first embodiment.

FIG. 4 is a front view of an eyewear device first embodiment.

FIG. 5 is a side view of an eyewear device first embodiment.

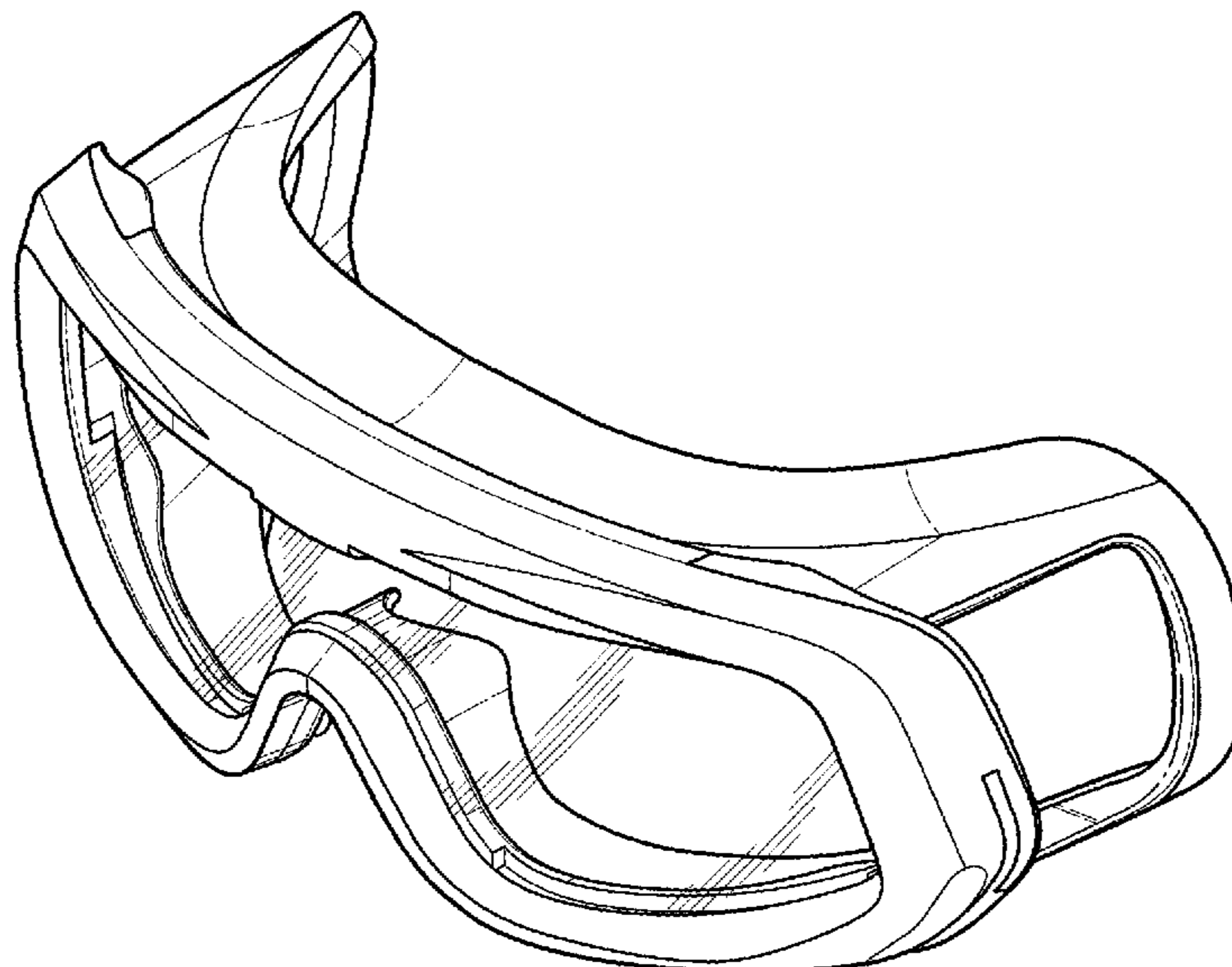
FIG. 6 is a side view of an eyewear device first embodiment opposite the view in FIG. 5.

FIG. 7 is a top view of an eyewear device first embodiment; and,

FIG. 8 is a bottom view of an eyewear device first embodiment.

Any usage of dashed line(s) in the claims is provided merely for context and does not represent a part of the design. The stippling in the drawings represents shading and forms no part of the claimed design.

1 Claim, 4 Drawing Sheets



(56)

References Cited

U.S. PATENT DOCUMENTS

D855,686 S * 8/2019 Shin D16/300
D856,329 S * 8/2019 Wang D14/372
2016/0271454 A1* 9/2016 Lo A63B 33/002
2016/0299351 A1* 10/2016 Marini G02C 5/16
2017/0071793 A1* 3/2017 Sherer A61F 9/02
2018/0224673 A1* 8/2018 Therrien G02C 7/14
2018/0246347 A1* 8/2018 Quintana G02C 1/00
2019/0033602 A1* 1/2019 Lee A61F 9/02
2019/0227347 A1* 7/2019 Jimenez G02C 7/101

* cited by examiner

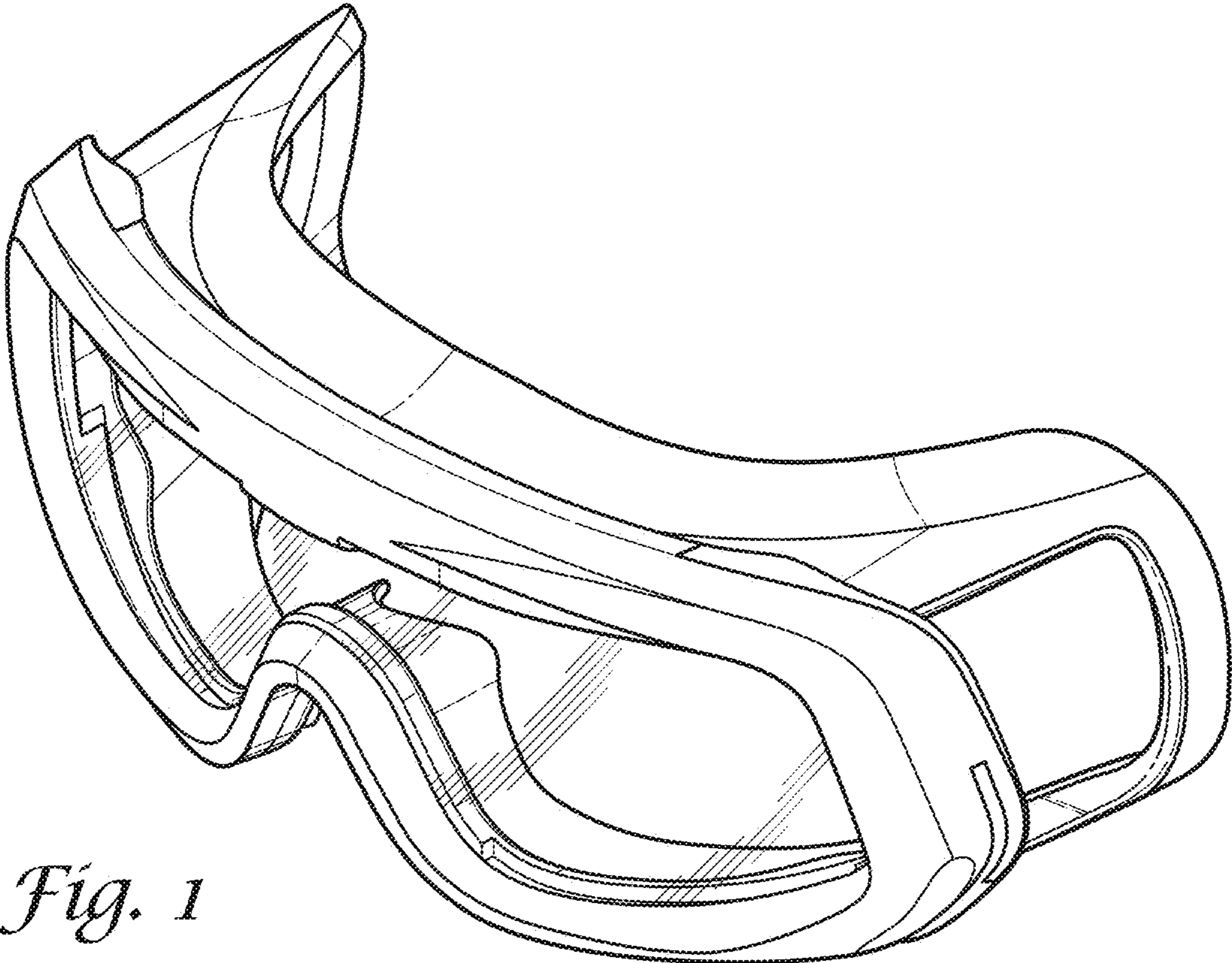


Fig. 1

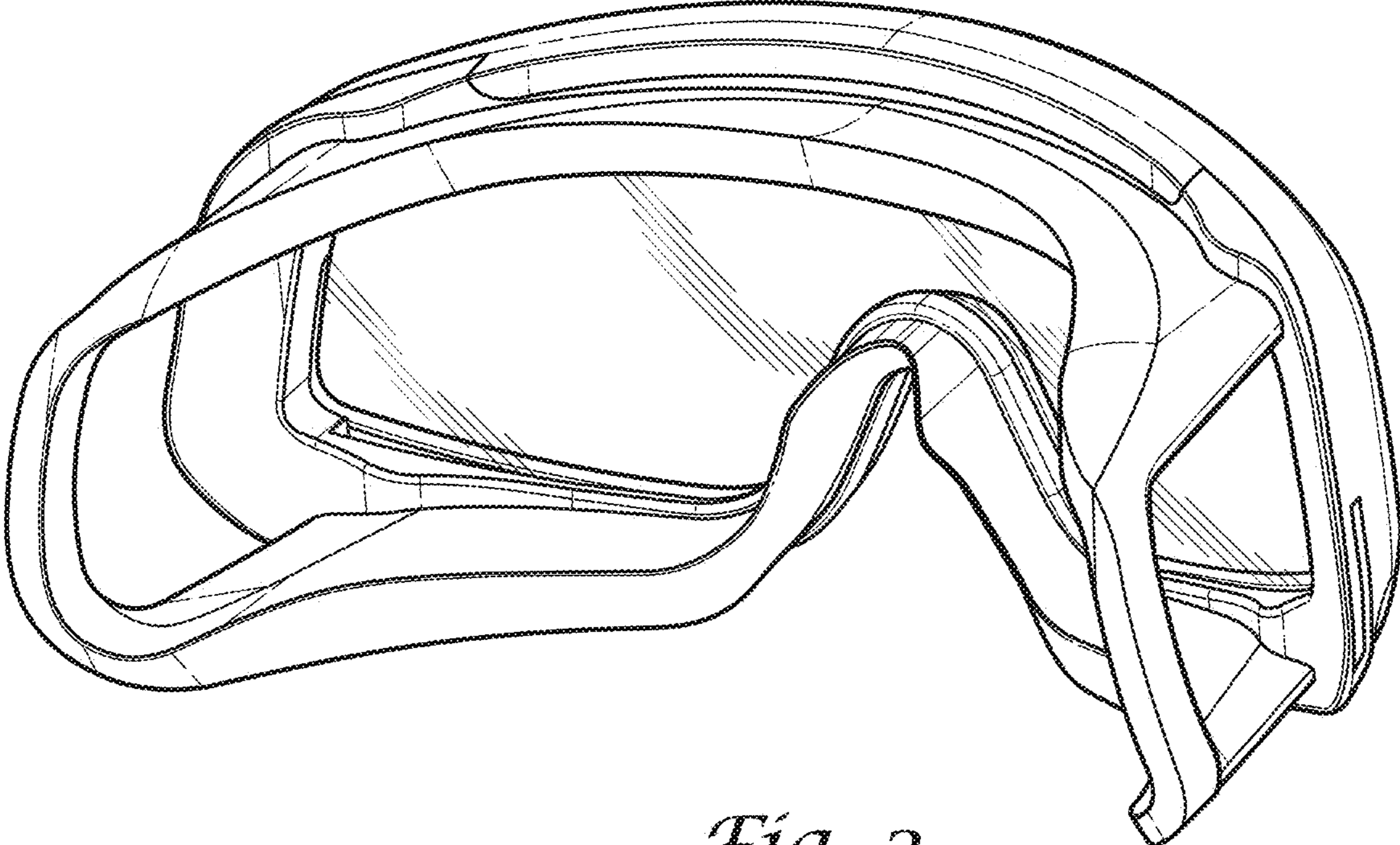


Fig. 2

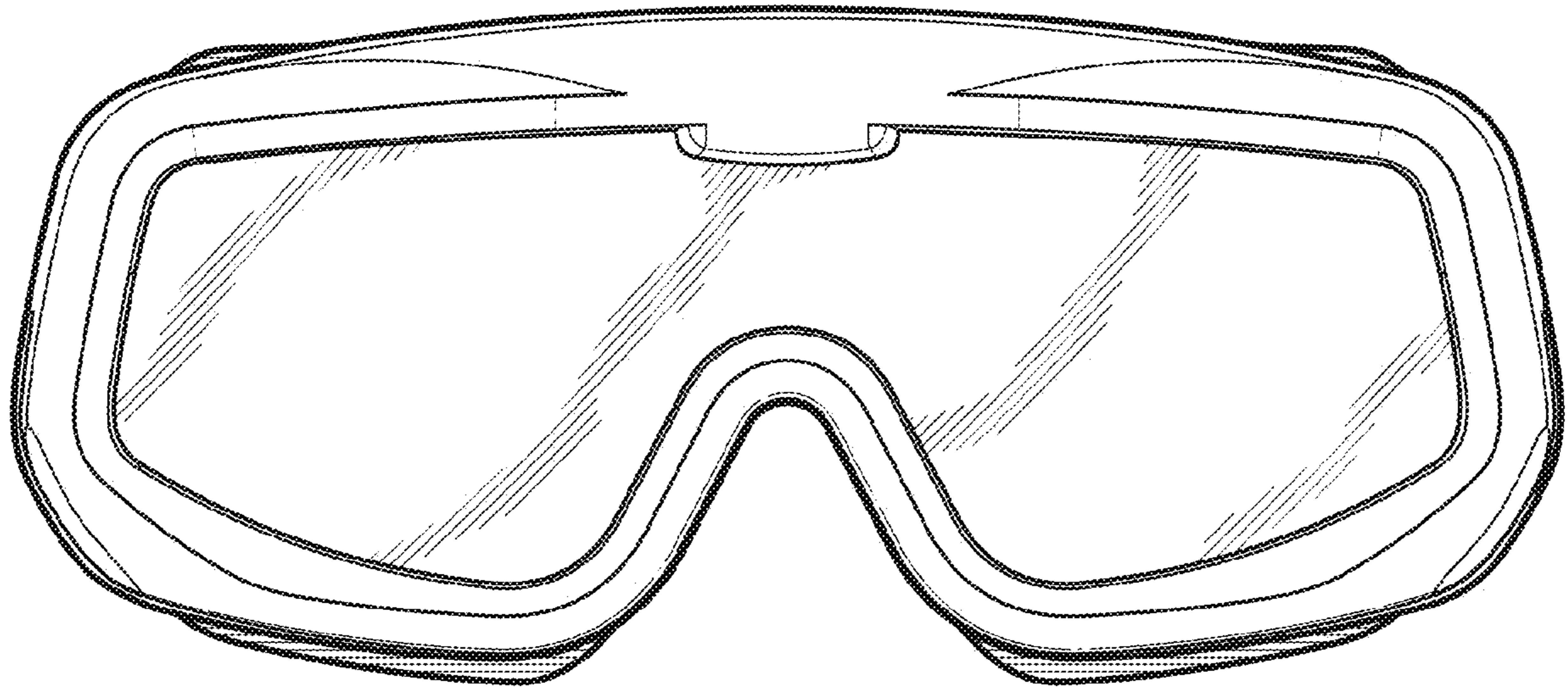


Fig. 3

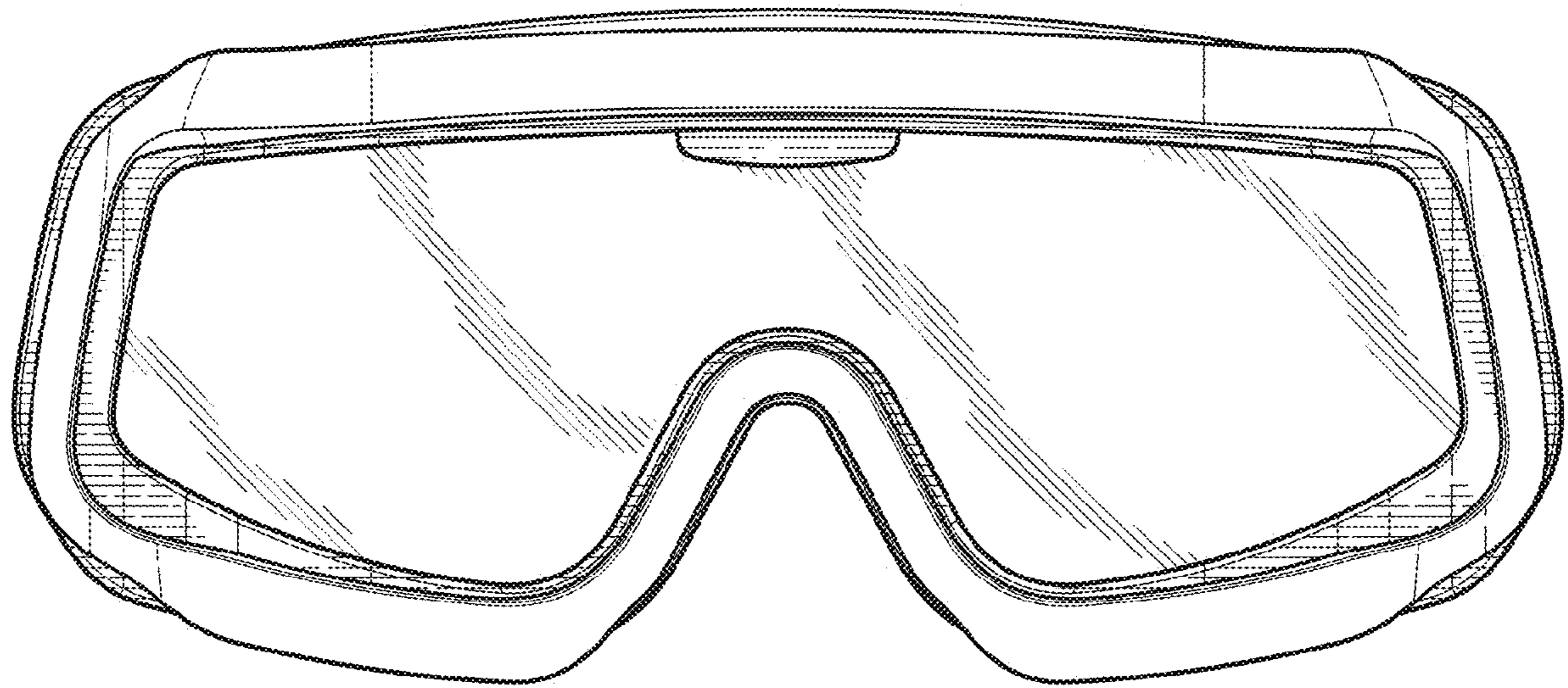


Fig. 4

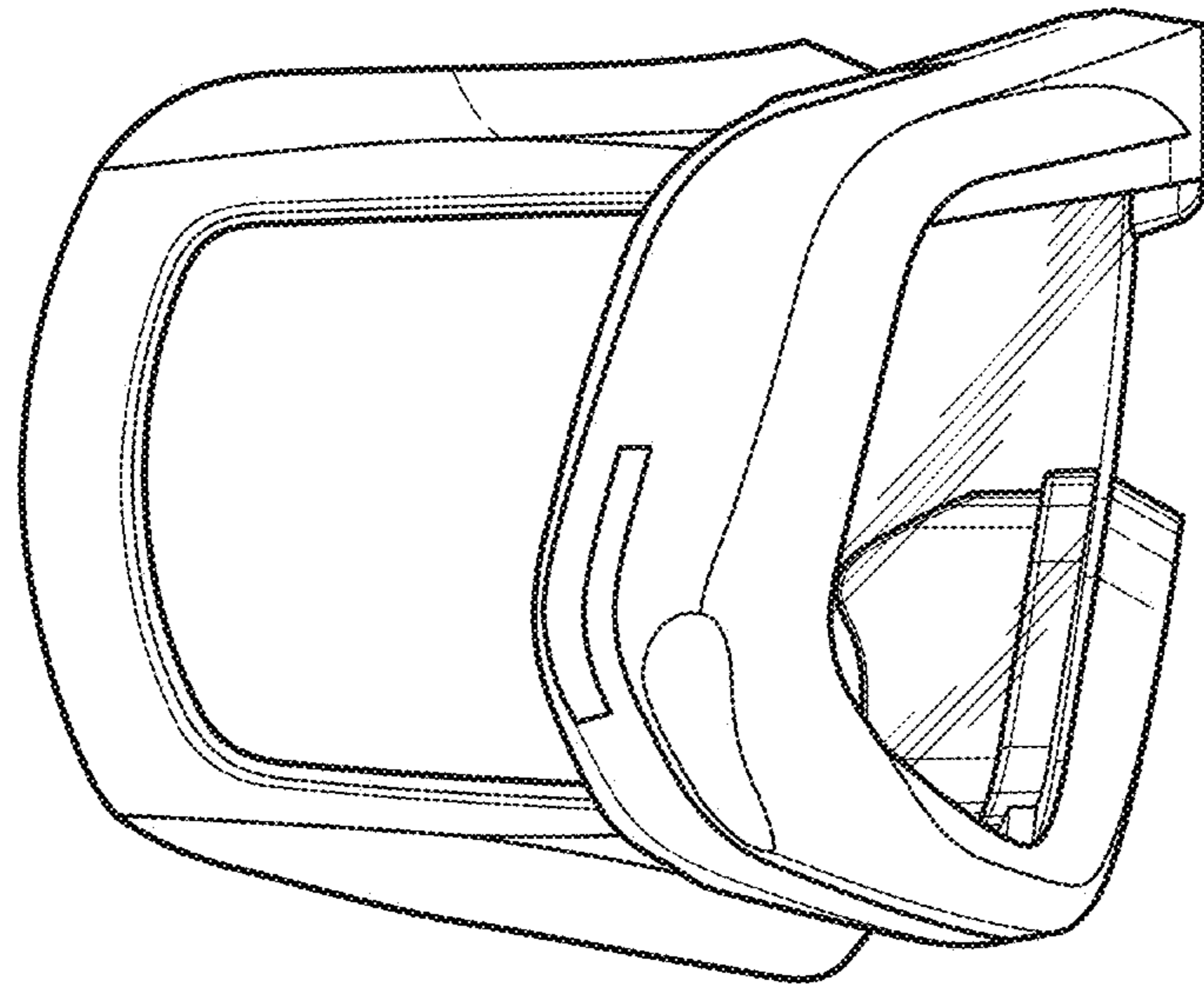


Fig. 5

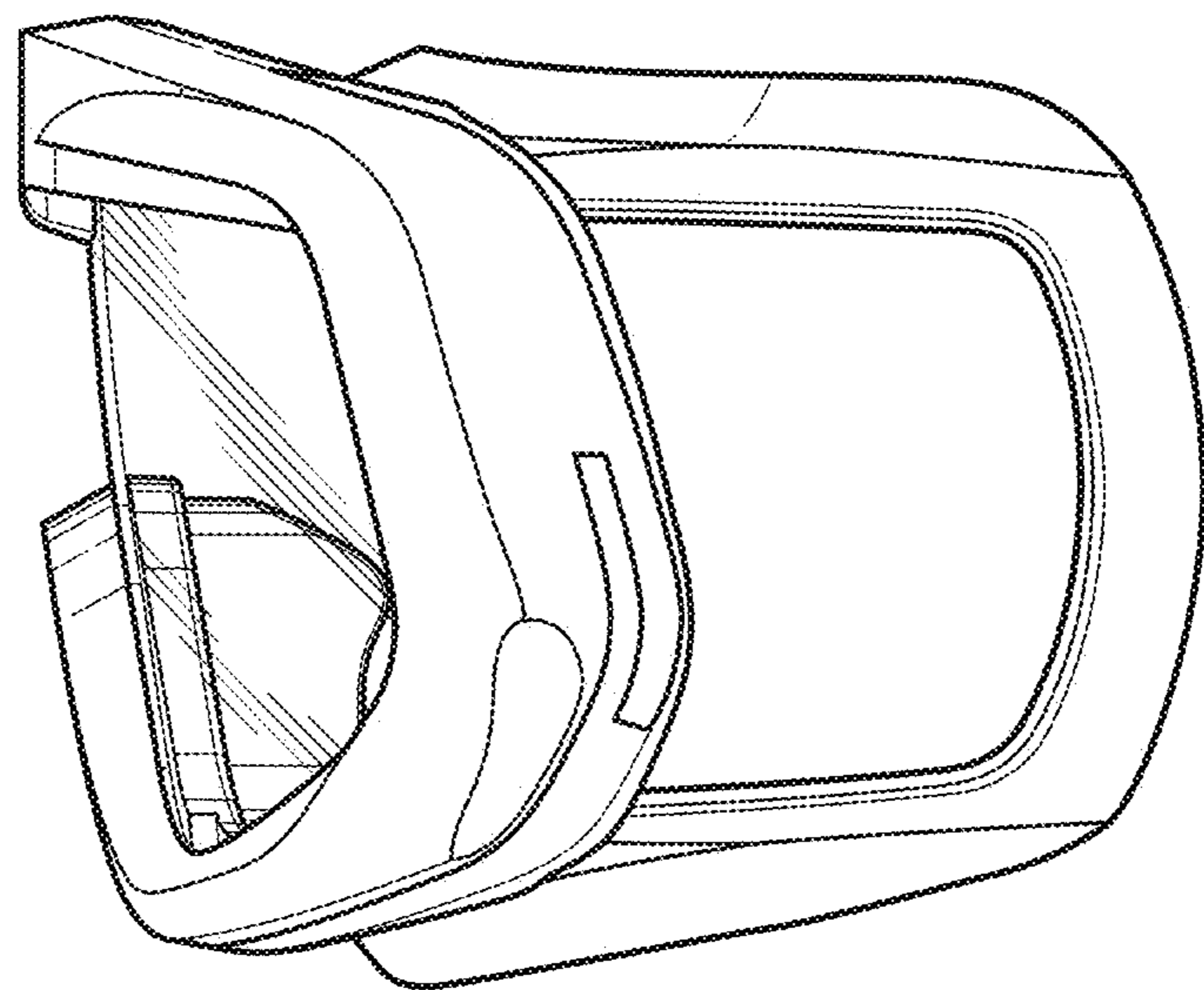


Fig. 6

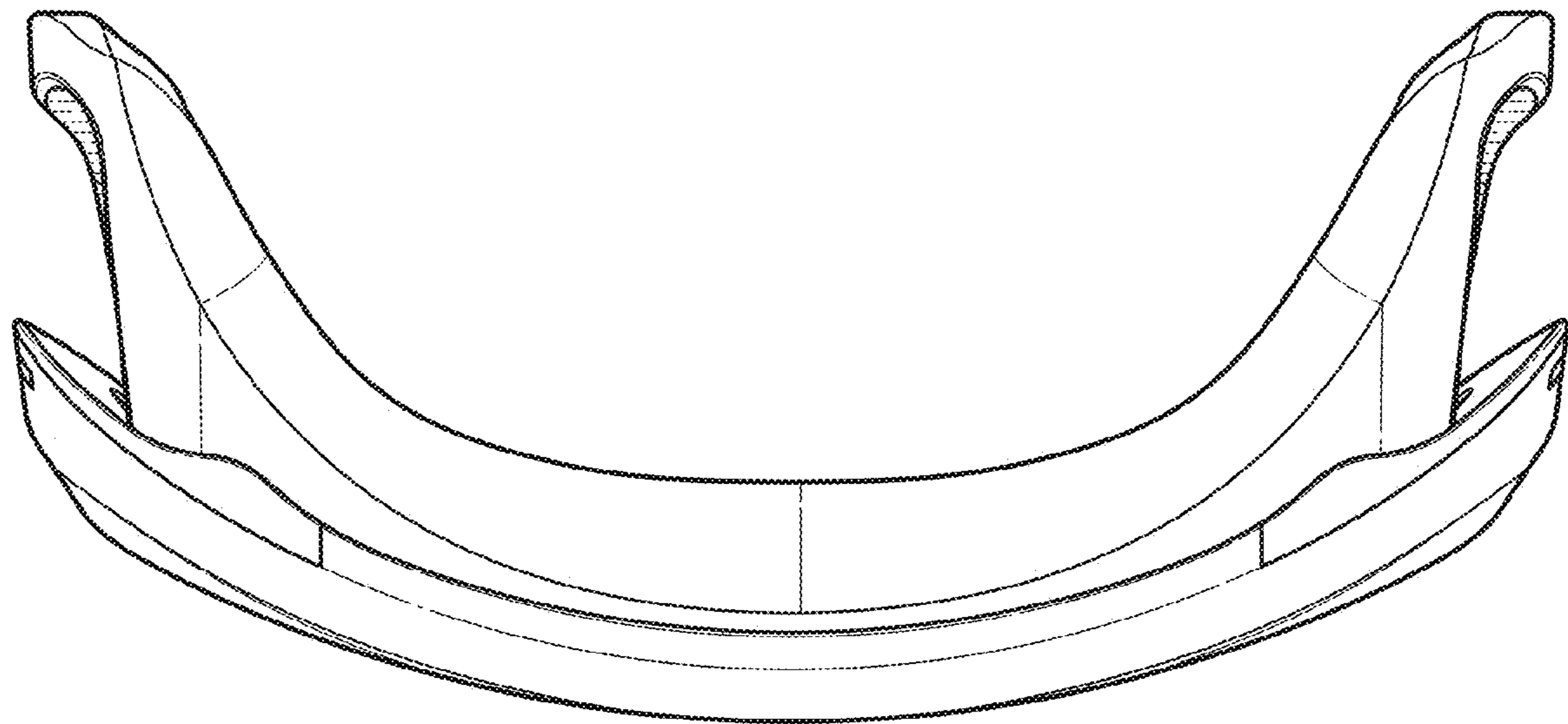


Fig. 7

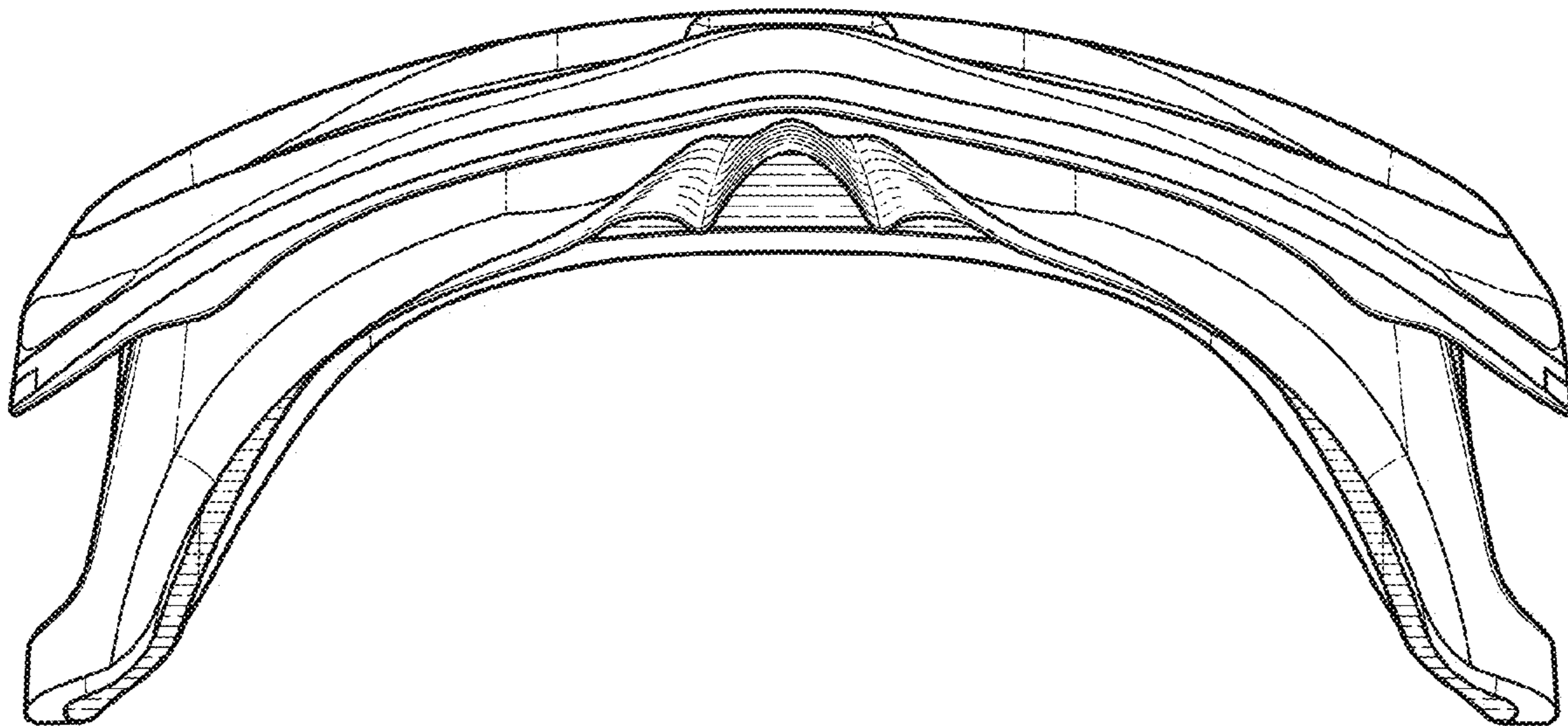


Fig. 8