



US00D873898S

(12) **United States Design Patent**  
**Roth**

(10) **Patent No.:** **US D873,898 S**  
(45) **Date of Patent:** **\*\* Jan. 28, 2020**

- (54) **CAMERA MOUNT**
- (71) Applicant: **Gentex Corporation**, Zeeland, MI (US)
- (72) Inventor: **Mark R. Roth**, Grand Rapids, MI (US)
- (73) Assignee: **GENTEX CORPORATION**, Zeeland, MI (US)
- (\*\*) Term: **15 Years**
- (21) Appl. No.: **29/697,985**
- (22) Filed: **Jul. 12, 2019**

**Related U.S. Application Data**

- (63) Continuation of application No. 29/589,438, filed on Dec. 30, 2016, now Pat. No. Des. 858,618.
- (51) **LOC (12) Cl.** ..... **16-05**
- (52) **U.S. Cl.**  
USPC ..... **D16/242**; D16/203
- (58) **Field of Classification Search**  
USPC ..... D12/169, 172, 187, 188, 190–193, 196, D12/233, 400, 415; D16/200, 202–203, D16/208, 217–219; D14/203, 209.1, 210, D14/215–217, 219  
CPC .... B60R 11/04; H04N 5/2251; H04N 5/2253; H04N 5/2254; H04N 7/18; H04N 7/185  
See application file for complete search history.

(56) **References Cited**

**U.S. PATENT DOCUMENTS**

- D273,012 S \* 3/1984 Kozloski ..... D16/203
- D320,028 S 9/1991 Sedighzadeh et al.
- D355,921 S \* 2/1995 Crouch ..... D16/202
- D416,032 S 11/1999 Bakshi
- D495,812 S \* 9/2004 Hilborn ..... D26/28
- D556,233 S 11/2007 Webb et al.
- D558,811 S \* 1/2008 Higgins ..... D16/203
- 7,446,650 B2 11/2008 Scholfield et al.

- 7,728,721 B2 6/2010 Schofield et al.
  - 7,965,336 B2 6/2011 Bingle et al.
  - D643,455 S \* 8/2011 Raa ..... D16/203
- (Continued)

**OTHER PUBLICATIONS**

2017 Volkswagen Jetta Rearview Camera System: Published Sep. 9, 2016 [online], site visited Sep. 2, 2019. Available from Internet URL: <https://www.newcenturyvw.com/blog/2017-volkswagen-jetta-rearview-camera-system/> (Year: 2016).\*

(Continued)

*Primary Examiner* — Jack Reickel  
*Assistant Examiner* — Melvin L Davis  
 (74) *Attorney, Agent, or Firm* — Price Heneveld LLP;  
 Bradley D. Johnson

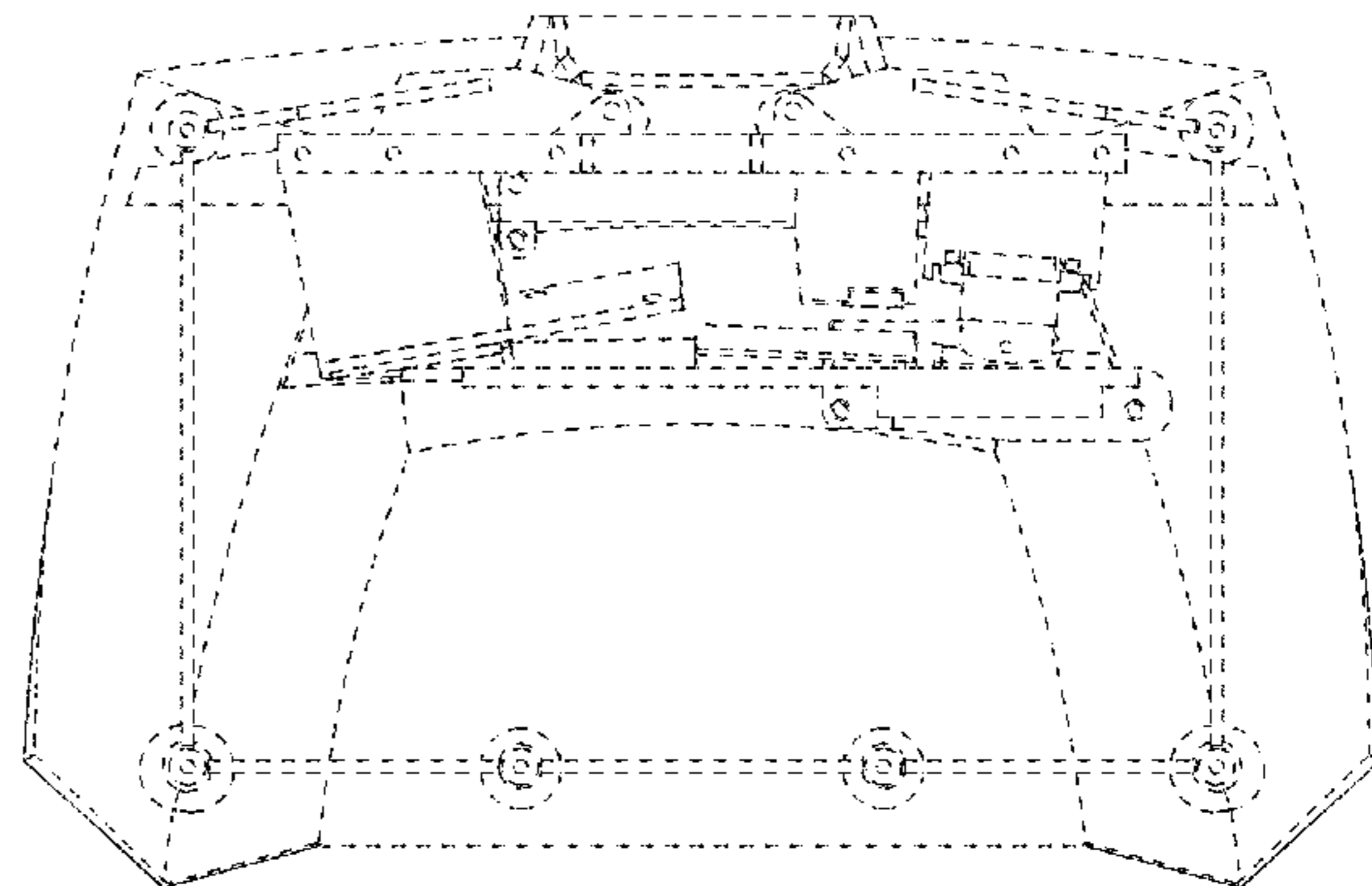
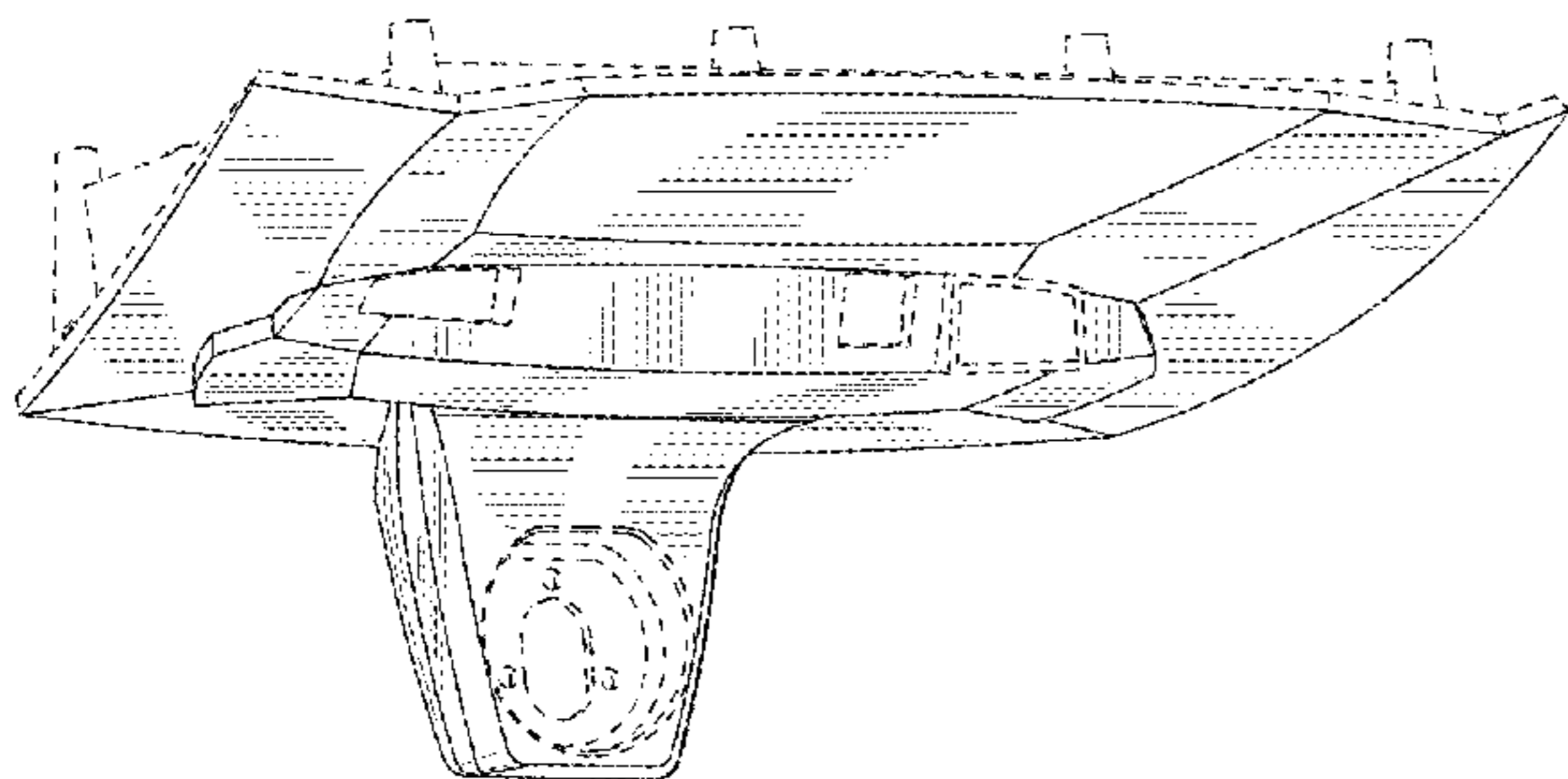
(57) **CLAIM**

I claim the ornamental design for a camera mount, as shown and described.

**DESCRIPTION**

FIG. 1 is a front perspective view of a camera mount of the present disclosure;  
 FIG. 2 is a rear perspective view of the camera mount of FIG. 1;  
 FIG. 3 is a front elevational view of the camera mount of FIG. 1;  
 FIG. 4 is a rear elevational view of the camera mount of FIG. 1;  
 FIG. 5 is a first side elevational view of the camera mount of FIG. 1;  
 FIG. 6 is a second side elevational view of the camera mount of FIG. 1;  
 FIG. 7 is a bottom plan view of the camera mount of FIG. 1; and,  
 FIG. 8 is a top plan view of the camera mount of FIG. 1.  
 The broken lines depict portions of the article that form no part of the claimed design.

**1 Claim, 4 Drawing Sheets**



(56)

**References Cited**

## U.S. PATENT DOCUMENTS

8,339,453 B2 \* 12/2012 Blake, III ..... B60R 11/00  
348/148  
D700,231 S \* 2/2014 Berkmortel ..... D16/203  
D739,887 S 9/2015 Fish, Jr. et al.  
D748,711 S 2/2016 Roth et al.  
D754,777 S 4/2016 Fish, Jr. et al.  
D757,146 S 5/2016 Walter et al.  
9,380,219 B2 \* 6/2016 Salomonsson ..... B60R 1/00  
D812,669 S 3/2018 Huang et al.  
D817,382 S 5/2018 Roth et al.  
10,046,716 B2 \* 8/2018 Okuda ..... B60W 30/143  
D829,257 S \* 9/2018 Benning ..... D16/200  
D834,633 S \* 11/2018 Carlson ..... D16/208  
10,173,608 B2 \* 1/2019 Kasai ..... B60R 11/04  
2015/0042874 A1 2/2015 Takeda

## OTHER PUBLICATIONS

Voyager VCMS140iB Color CMOS IR LED Camera: Published Sep. 24, 2013 [online], site visited Sep. 2, 2019. Available from Internet URL:[https://www.amazon.com/dp/B01M104ZNQ/ref=cm\\_sw\\_r\\_tw\\_dp\\_U\\_x\\_PiQBDbJ46V9XM](https://www.amazon.com/dp/B01M104ZNQ/ref=cm_sw_r_tw_dp_U_x_PiQBDbJ46V9XM) (Year: 2013).\*

Vardsafe VS701C Replacement Backup Camera Case Housing: Published Oct. 14, 2016 [online], site visited Sep. 2, 2019. Available from Internet URL:[https://www.amazon.com/dp/B07K362H3N/ref=cm\\_sw\\_r\\_tw\\_dp\\_U\\_x\\_5yQBDb4134CVW](https://www.amazon.com/dp/B07K362H3N/ref=cm_sw_r_tw_dp_U_x_5yQBDb4134CVW)(Year: 2016).\*

\* cited by examiner

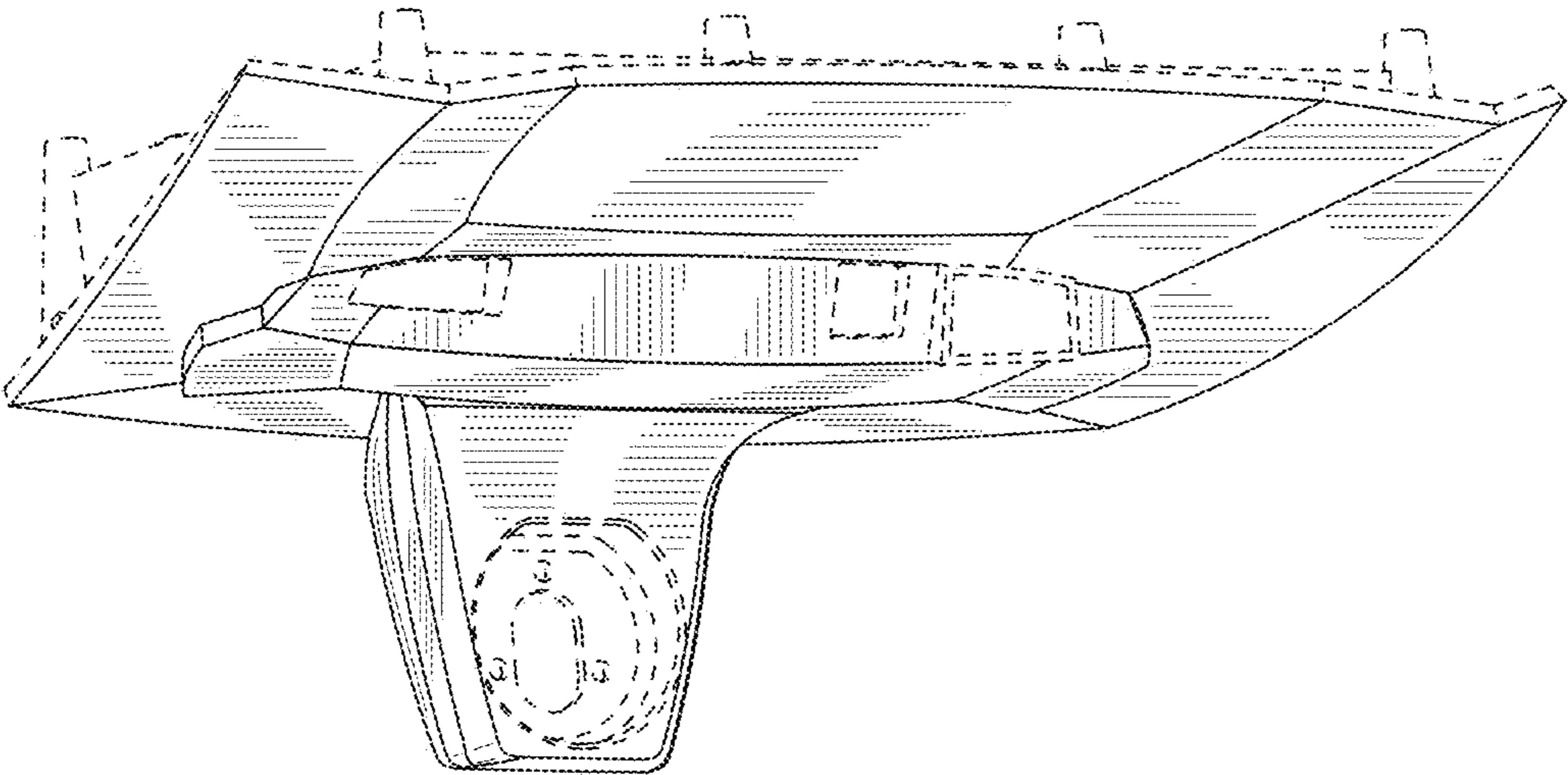


FIG. 1

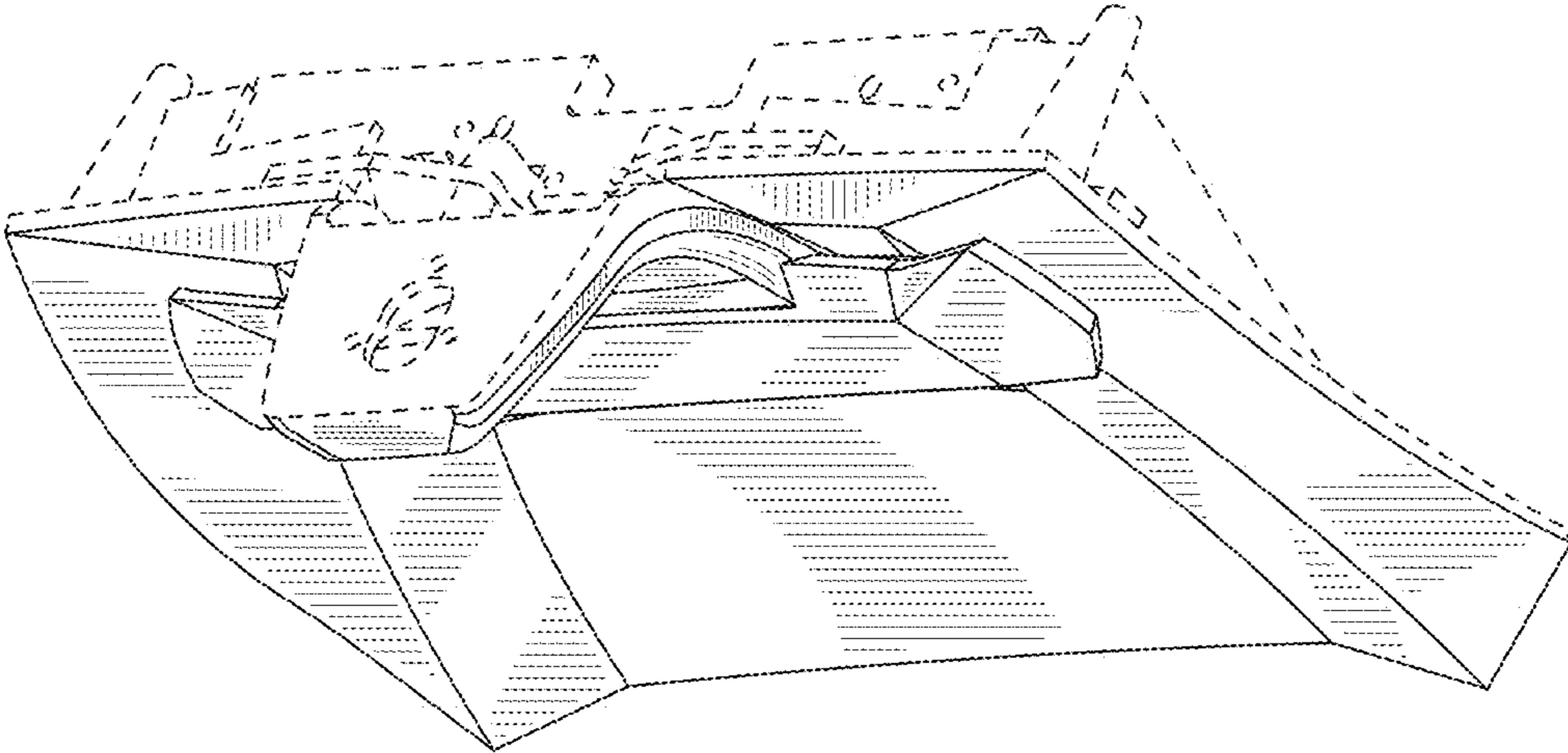
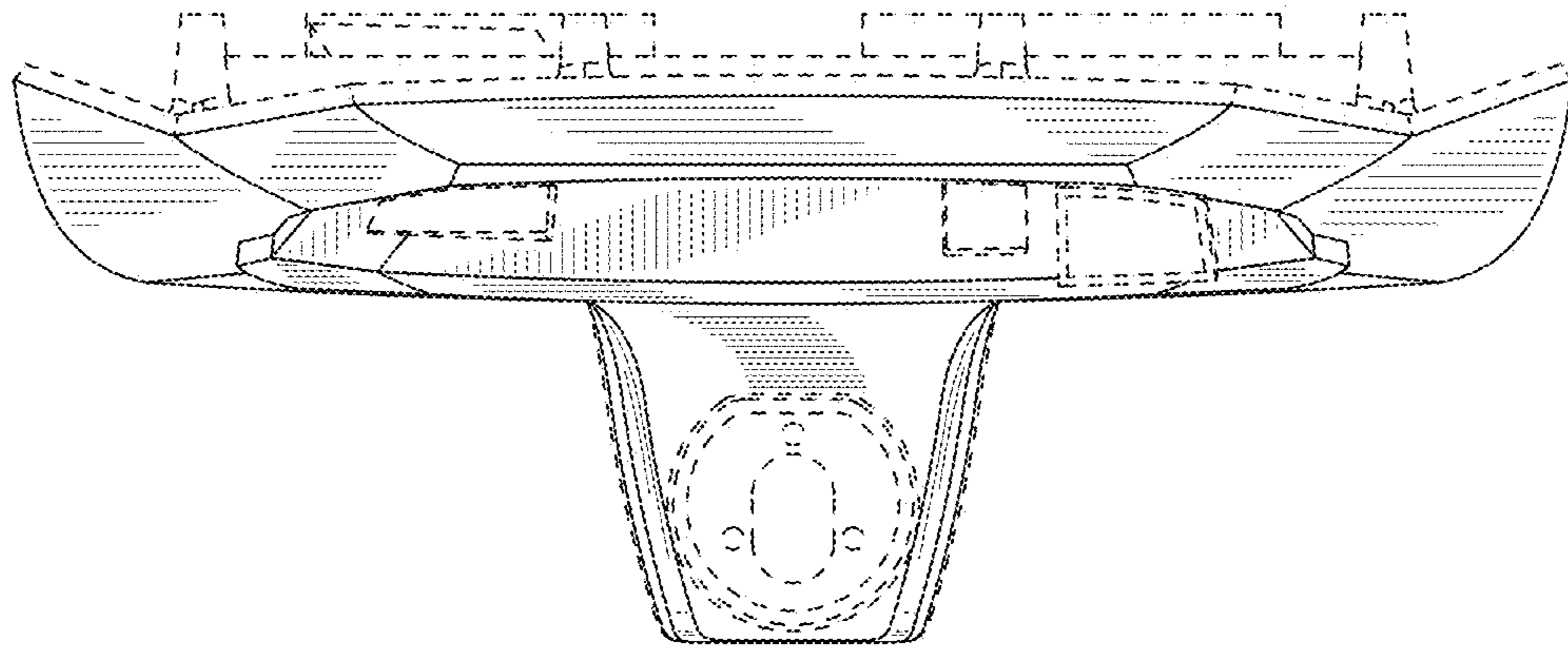
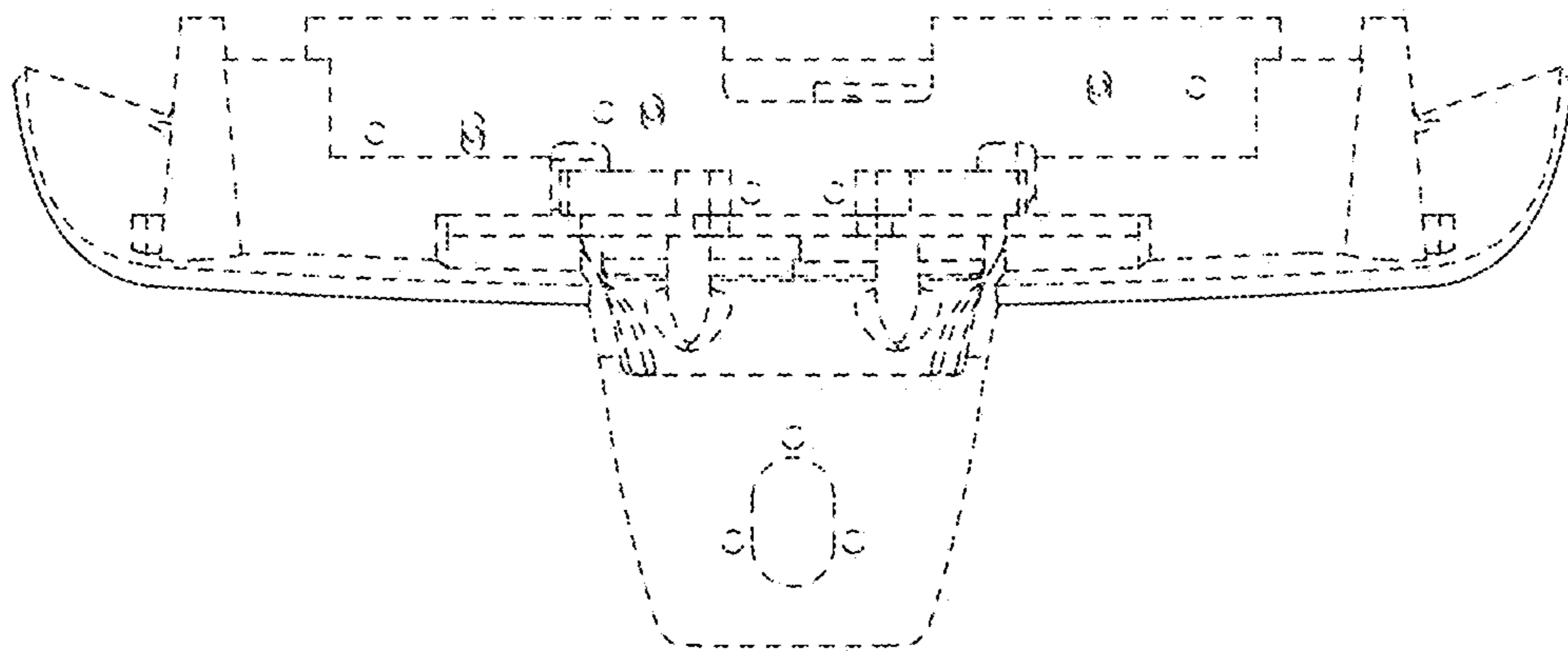


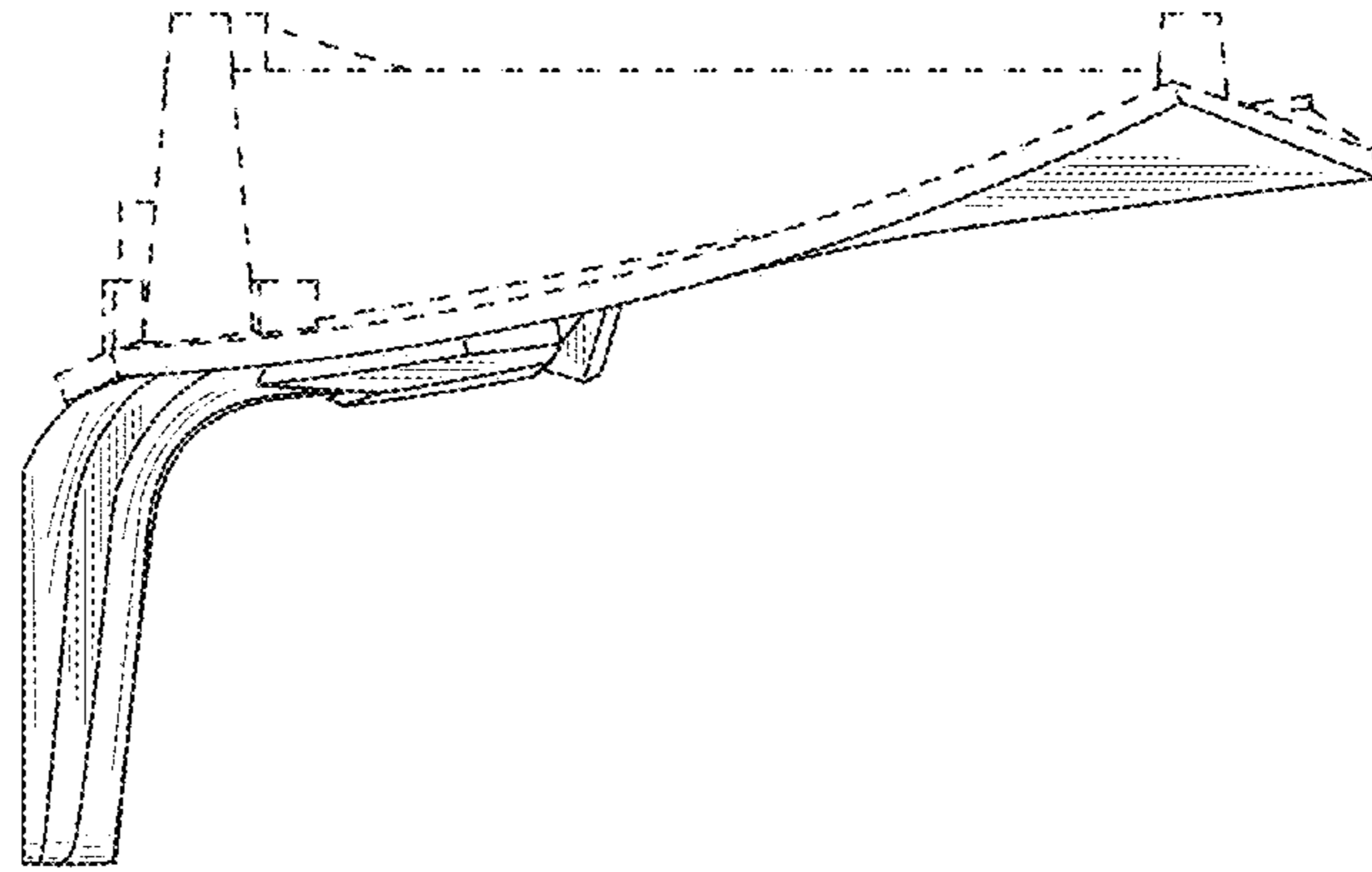
FIG. 2



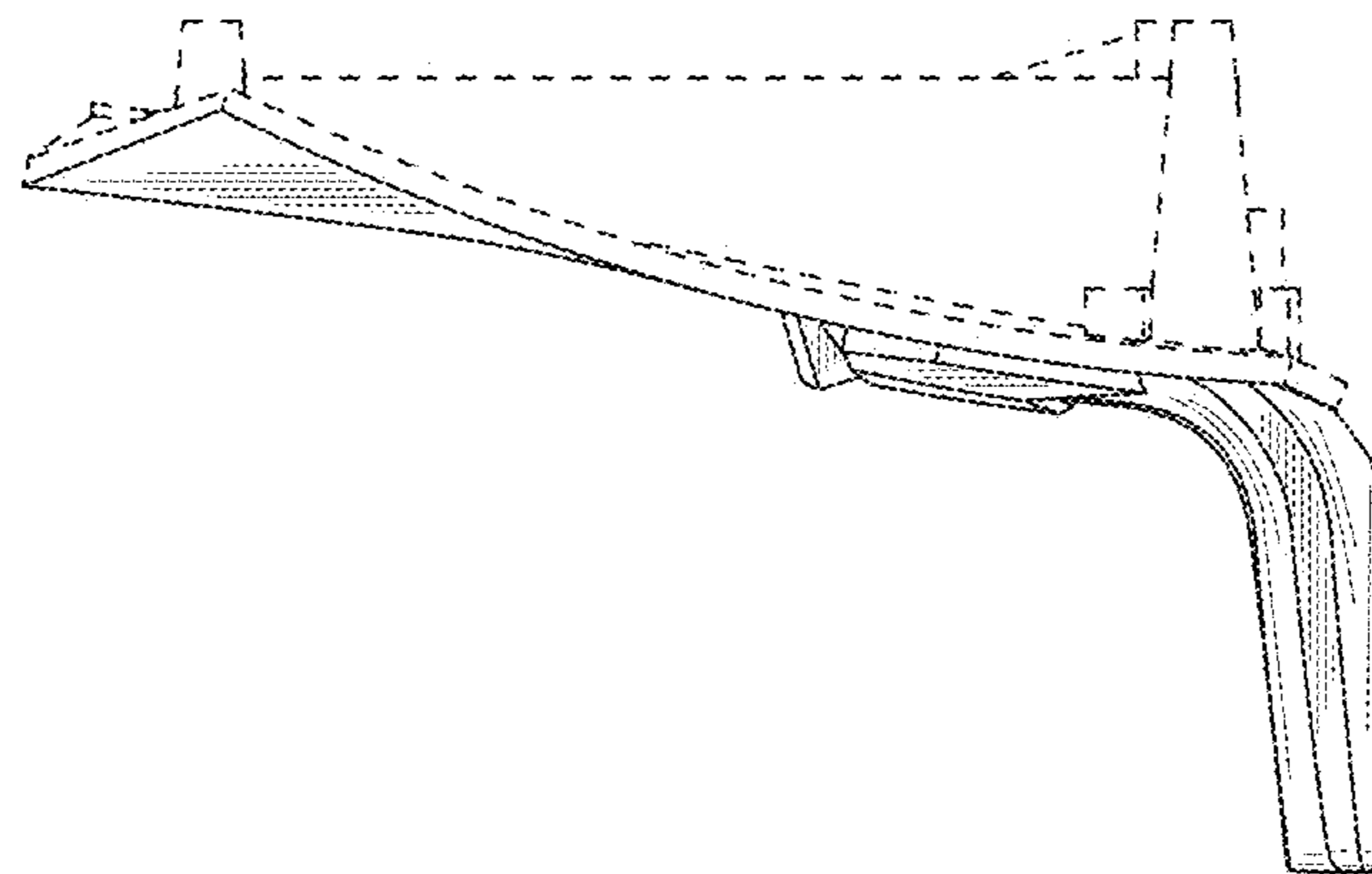
**FIG. 3**



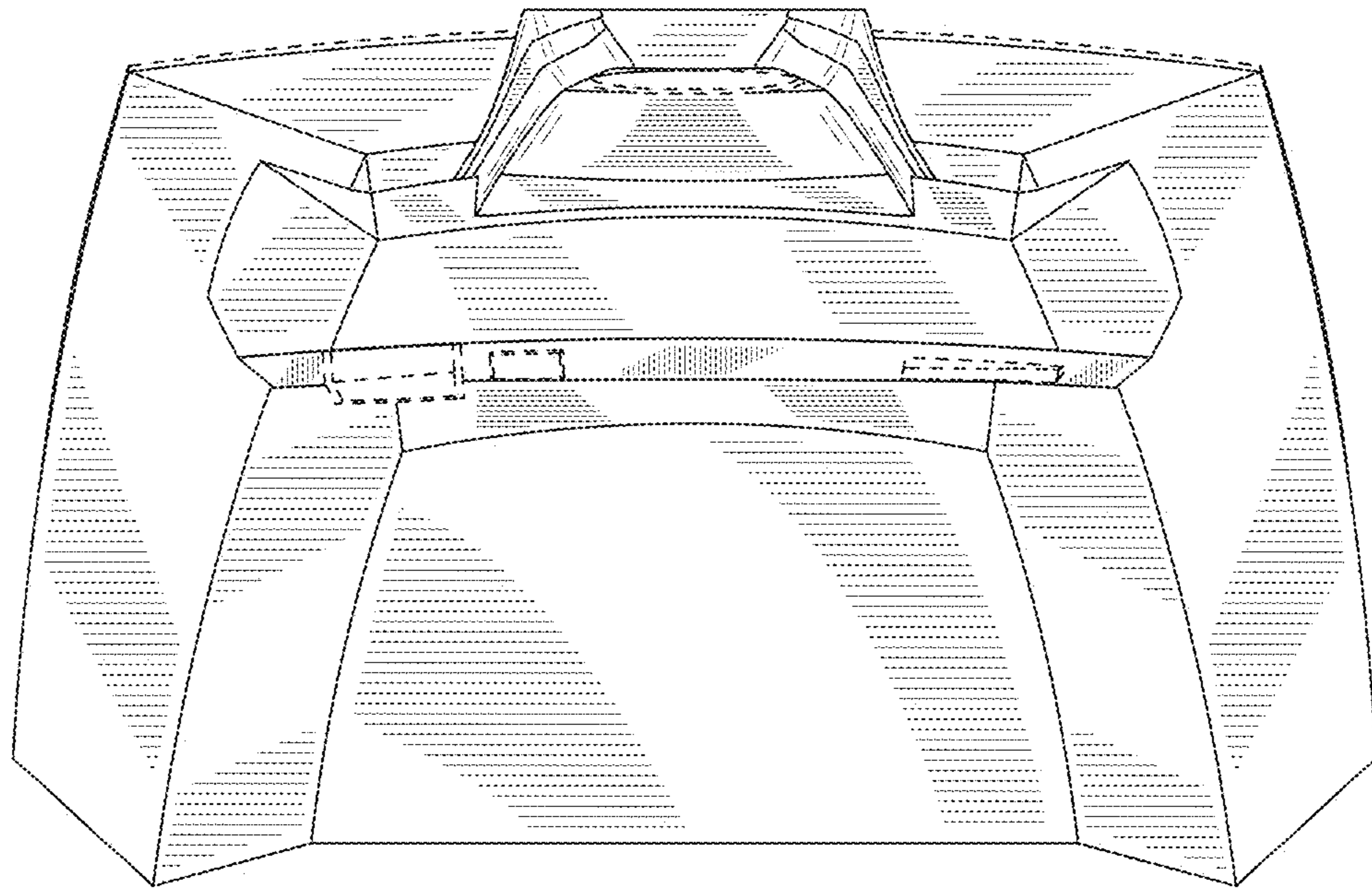
**FIG. 4**



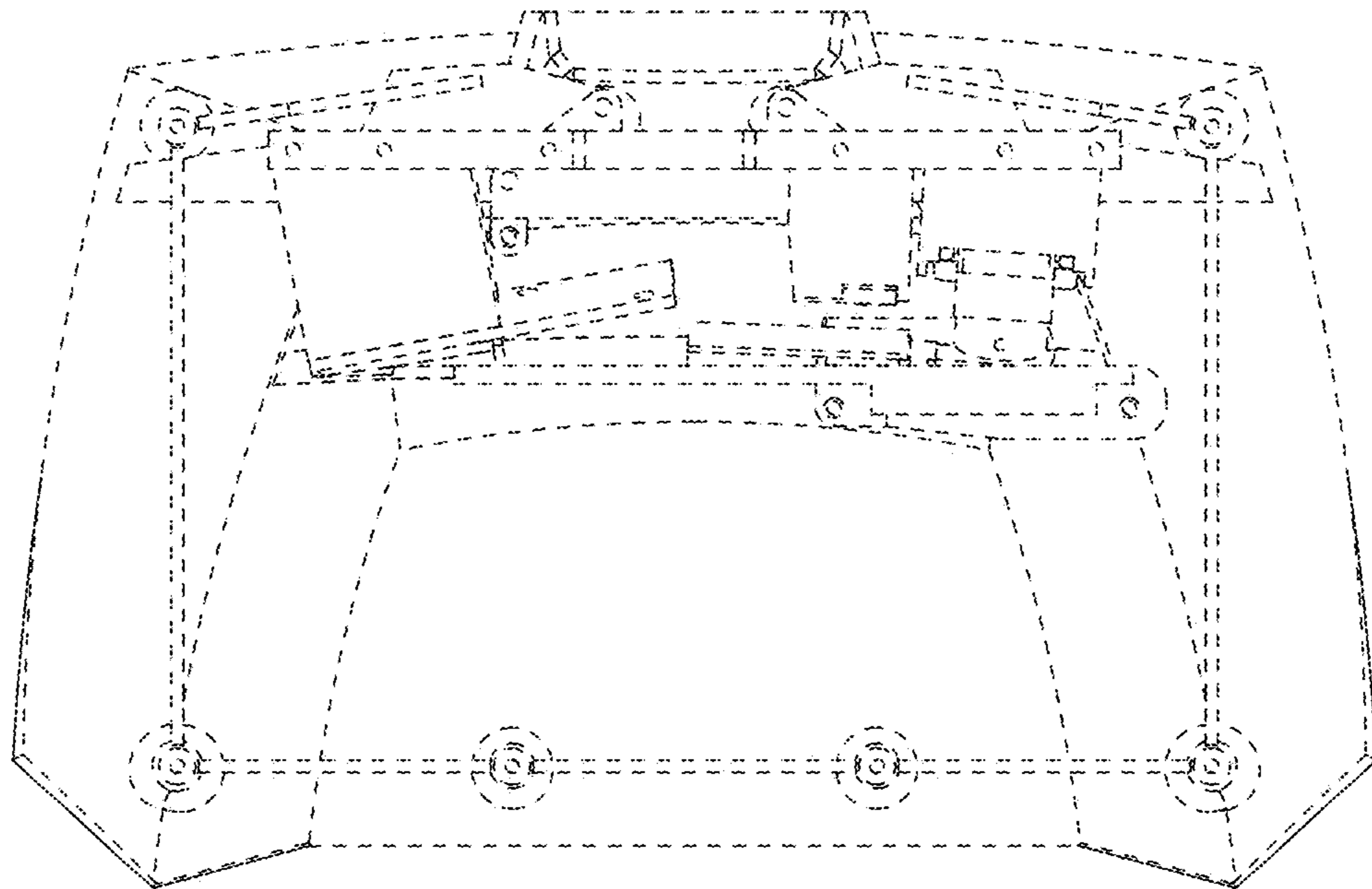
**FIG. 5**



**FIG. 6**



**FIG. 7**



**FIG. 8**