



US00D873893S

(12) **United States Design Patent** (10) **Patent No.:** **US D873,893 S**  
**Christensson et al.** (45) **Date of Patent:** **\*\* Jan. 28, 2020**

(54) **MONITORING CAMERA**

(71) Applicant: **AXIS AB**, Lund (SE)  
(72) Inventors: **Johanna Christensson**, Lund (SE);  
**Malte Lennerstedt**, Lund (SE); **Agnes Rusz**, Malmö (SE); **Daniel Ahman**,  
Lomma (SE); **Mariano Vozzi**, Malmö  
(SE); **Mathias Walter**, Arlov (SE);  
**Sebastian Engwall**, Lund (SE)

(73) Assignee: **AXIS AB**, Lund (SE)

(\*\*) Term: **15 Years**

(21) Appl. No.: **29/678,089**

(22) Filed: **Jan. 25, 2019**

**Related U.S. Application Data**

(62) Division of application No. 29/627,911, filed on Nov. 30, 2017.

**Foreign Application Priority Data**

May 31, 2017 (EM) ..... 004026334-0001

(51) **LOC (12) Cl.** ..... **16-05**

(52) **U.S. Cl.**  
USPC ..... **D16/219**; D16/203

(58) **Field of Classification Search**  
USPC ..... D16/200, 202–206, 208, 218, 219, 242;  
348/143, 148, 151, 373–376; 396/419,  
396/427, 535, 539–541  
CPC ..... G03B 17/02; G03B 19/04; G03B 17/56;  
G03B 17/04; G03B 15/03; H04N 5/2251;  
H04N 5/2252; H04N 5/2253; H04N  
5/2254; H04N 7/181; H04N 7/183; H04N  
7/18; G08B 13/1963; G08B 13/19619;  
G08B 13/19632

See application file for complete search history.

(56) **References Cited**

U.S. PATENT DOCUMENTS

5,394,184 A \* 2/1995 Anderson ..... G03B 17/55  
348/151  
D556,236 S \* 11/2007 Kim ..... D16/202  
D592,159 S \* 5/2009 Ono ..... D13/180  
D628,225 S \* 11/2010 Deurwaarder ..... D16/203  
8,066,438 B2 \* 11/2011 Takahashi ..... H04N 5/2251  
348/143

(Continued)

FOREIGN PATENT DOCUMENTS

EM 002876326 11/2015  
TW D156913 11/2013  
TW D157863 12/2013

OTHER PUBLICATIONS

Numenor och Orion (Cameras Q3708 and Q3709), <https://www.axis.com/se/sv/products/axis-q3708-pve>, <https://www.axis.com/se/sv/products/axis-q3709-pve>.

*Primary Examiner* — Ramzi S Almatrahi

(74) *Attorney, Agent, or Firm* — Volpe and Koenig, P.C.

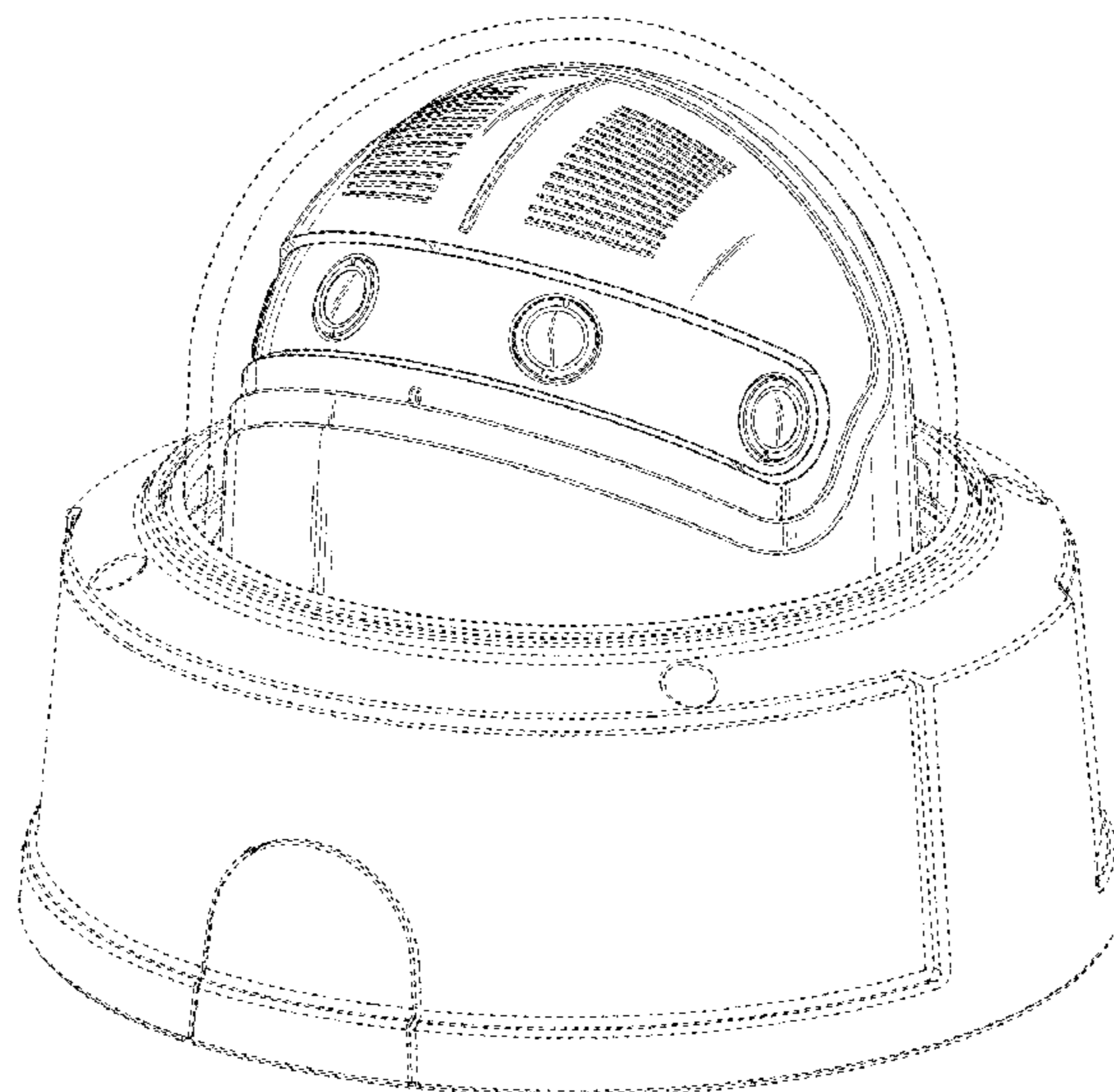
(57) **CLAIM**

The ornamental design for a monitoring camera, as shown and described.

**DESCRIPTION**

FIG. 1 is a perspective view of a monitoring camera showing our new design;  
FIG. 2 is a top plan view thereof;  
FIG. 3 is a front elevational view thereof;  
FIG. 4 is a right side elevational view thereof;  
FIG. 5 is a left side elevational view thereof;  
FIG. 6 is a rear elevational view thereof; and,  
FIG. 7 is a bottom plan view thereof.  
The broken lines depict portions of the monitoring camera in which the design is embodied that form no part of the claimed design.

**1 Claim, 4 Drawing Sheets**



(56)

**References Cited**

U.S. PATENT DOCUMENTS

8,764,318	B2 *	7/2014	Wada .....	H04N 5/2252 348/143
D715,662	S *	10/2014	Aicher .....	D10/53
D721,755	S	1/2015	Ahman et al.	
D726,798	S *	4/2015	Neufeld .....	D16/203
D740,874	S	10/2015	Ahman et al.	
D752,675	S *	3/2016	Ravat .....	D16/203
D756,437	S	5/2016	Bennermark et al.	
9,699,359	B2	7/2017	Urano et al.	
D798,934	S	10/2017	Wu	
D809,048	S	1/2018	Andersson et al.	
D815,173	S	4/2018	Hikima et al.	
D816,755	S	5/2018	Barnekow et al.	
D818,026	S *	5/2018	Ravat .....	D16/203
D820,336	S	6/2018	Zhang et al.	
D824,985	S	8/2018	Teachworth et al.	
D829,262	S *	9/2018	Huerta .....	D16/219
2011/0158637	A1 *	6/2011	Jung .....	G03B 15/03 396/535
2013/0169805	A1 *	7/2013	Park .....	G08B 13/19619 348/143

\* cited by examiner

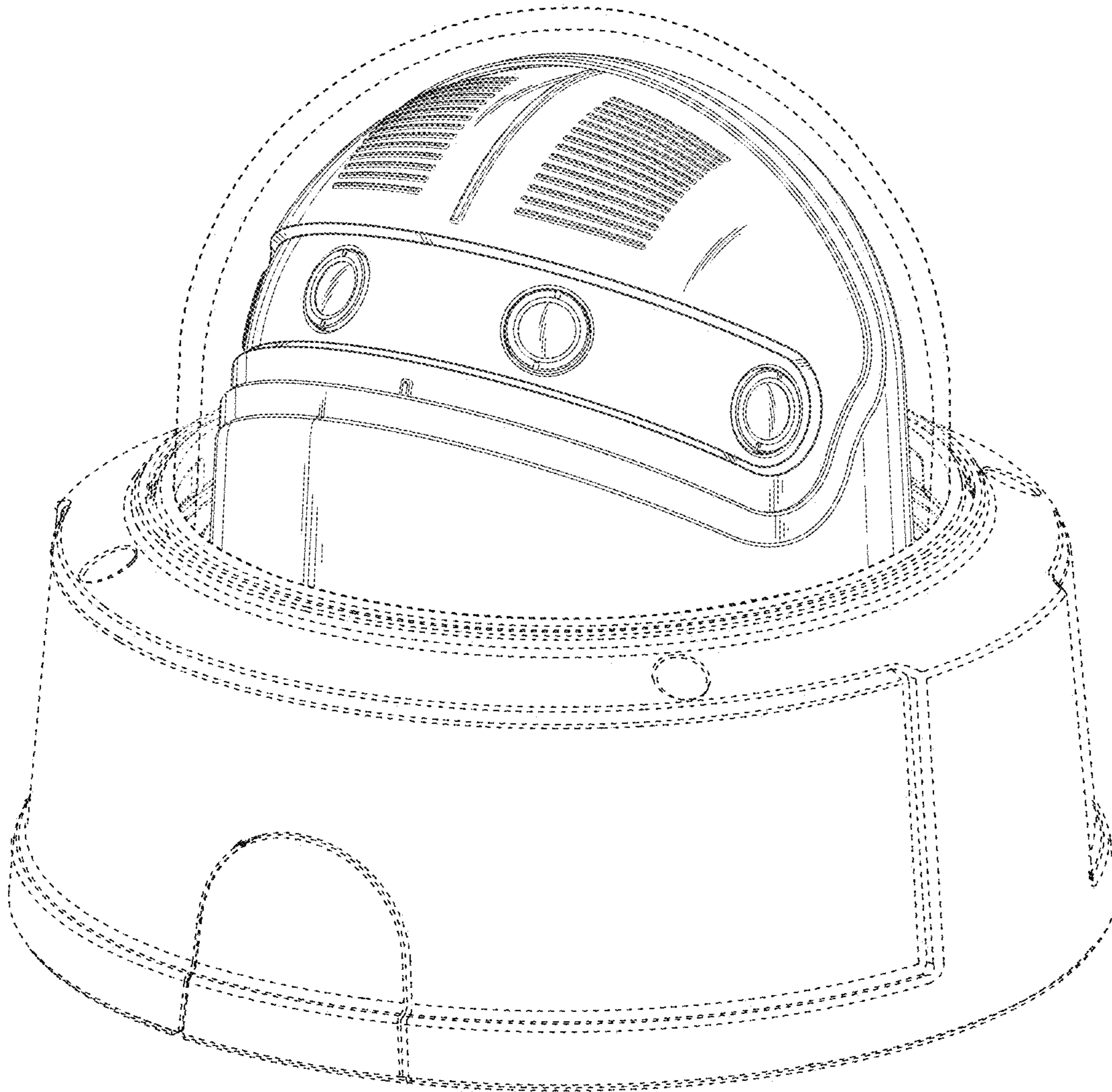


Fig. 1

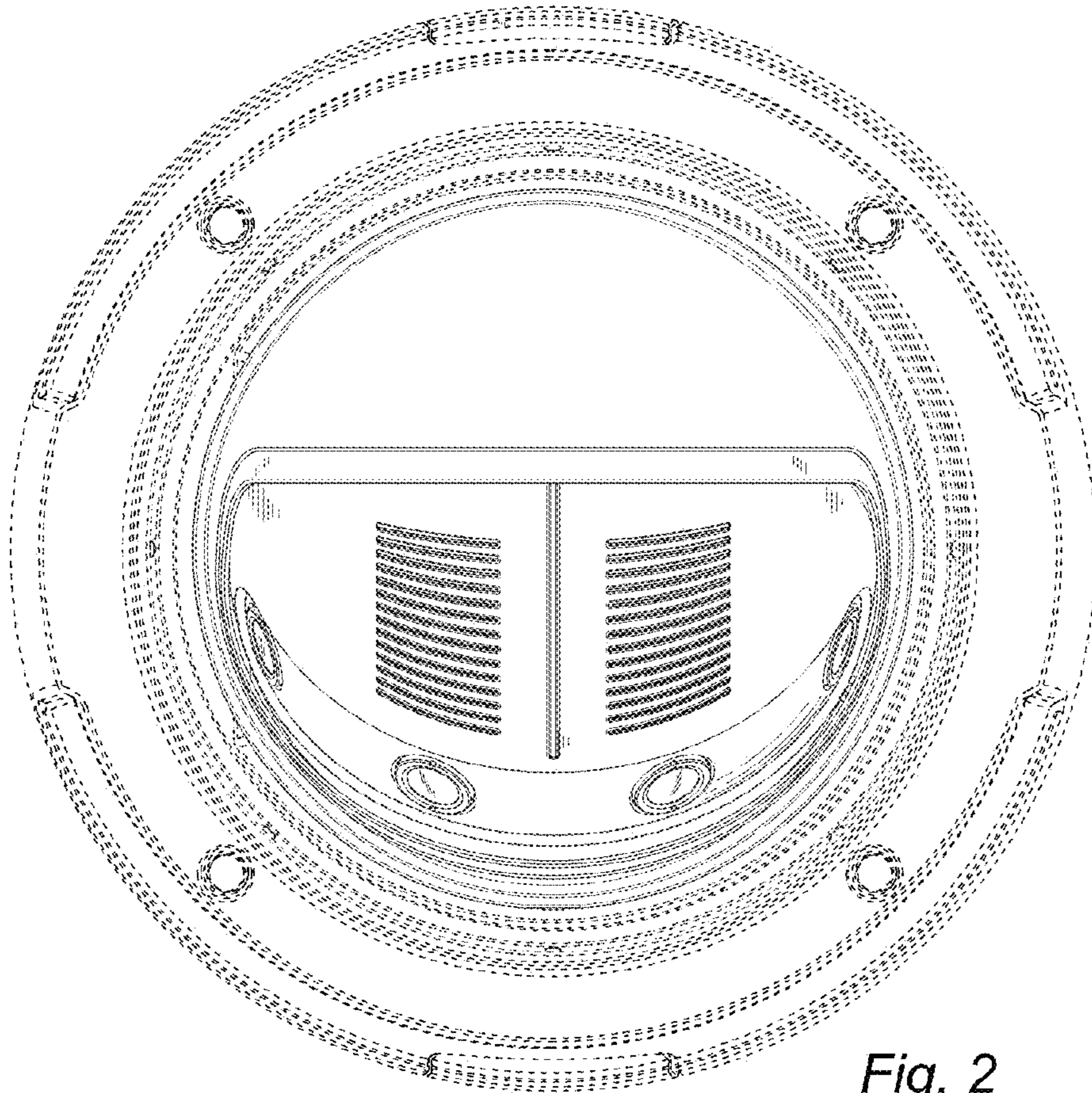


Fig. 2

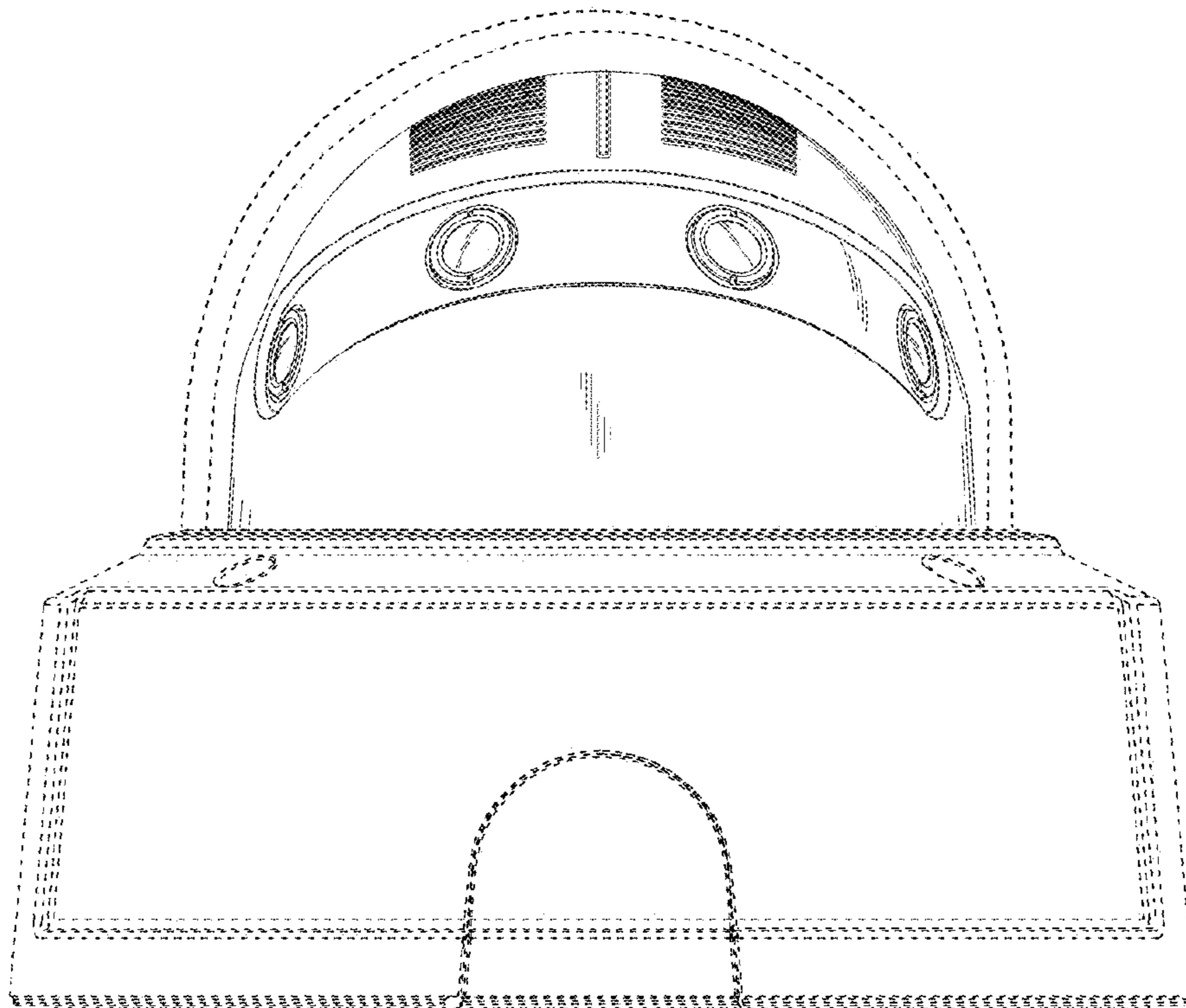


Fig. 3

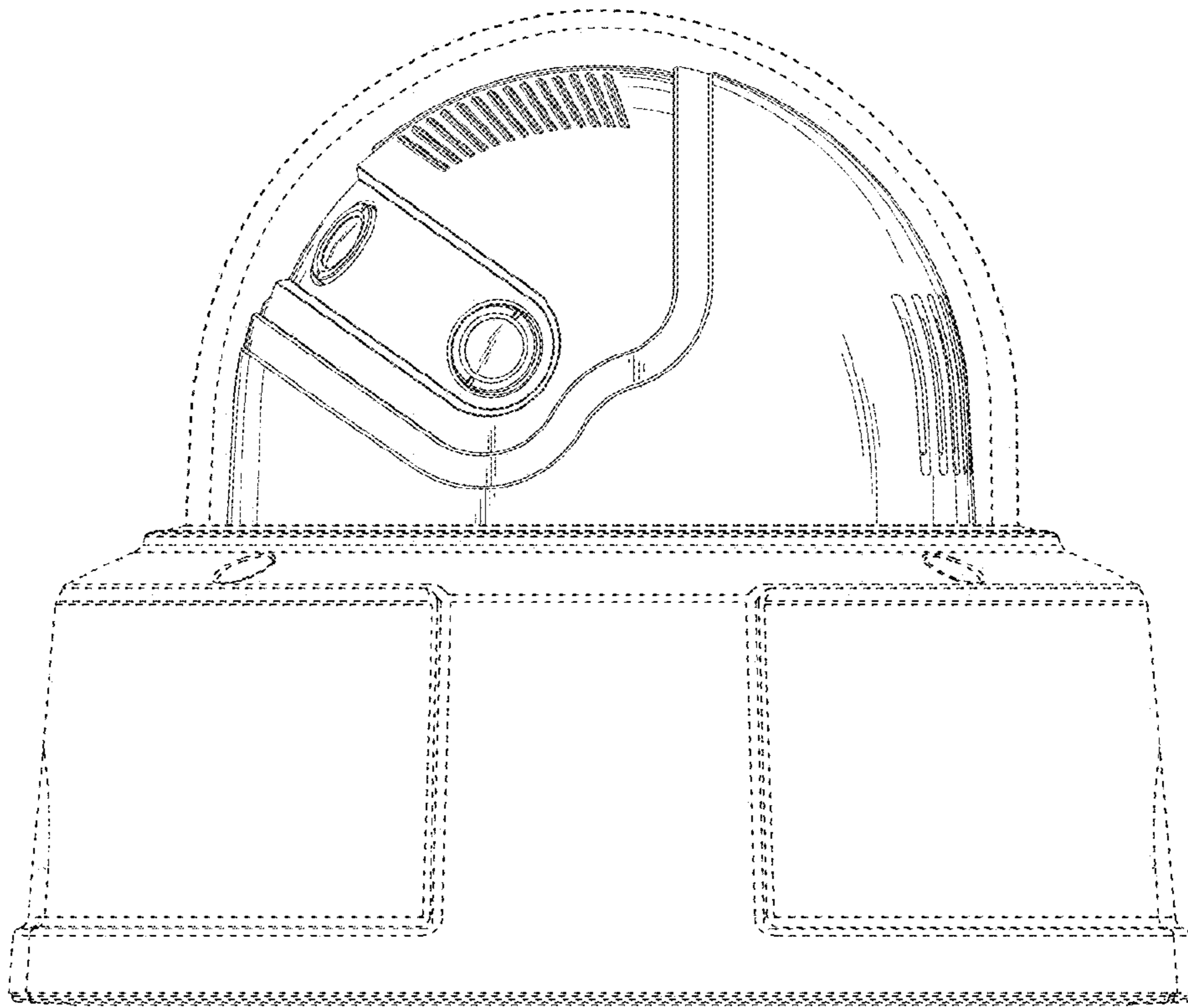


Fig. 4

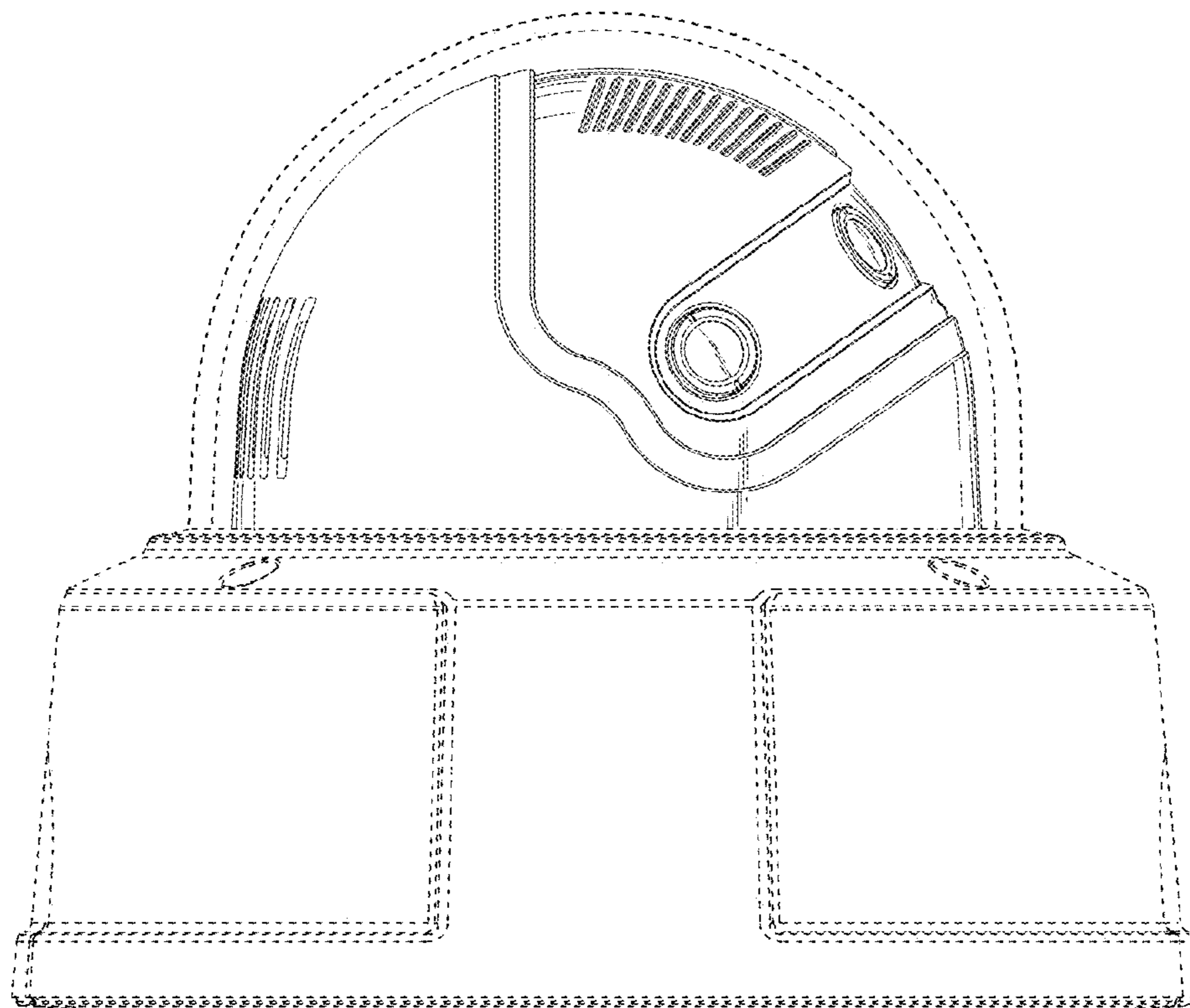


Fig. 5

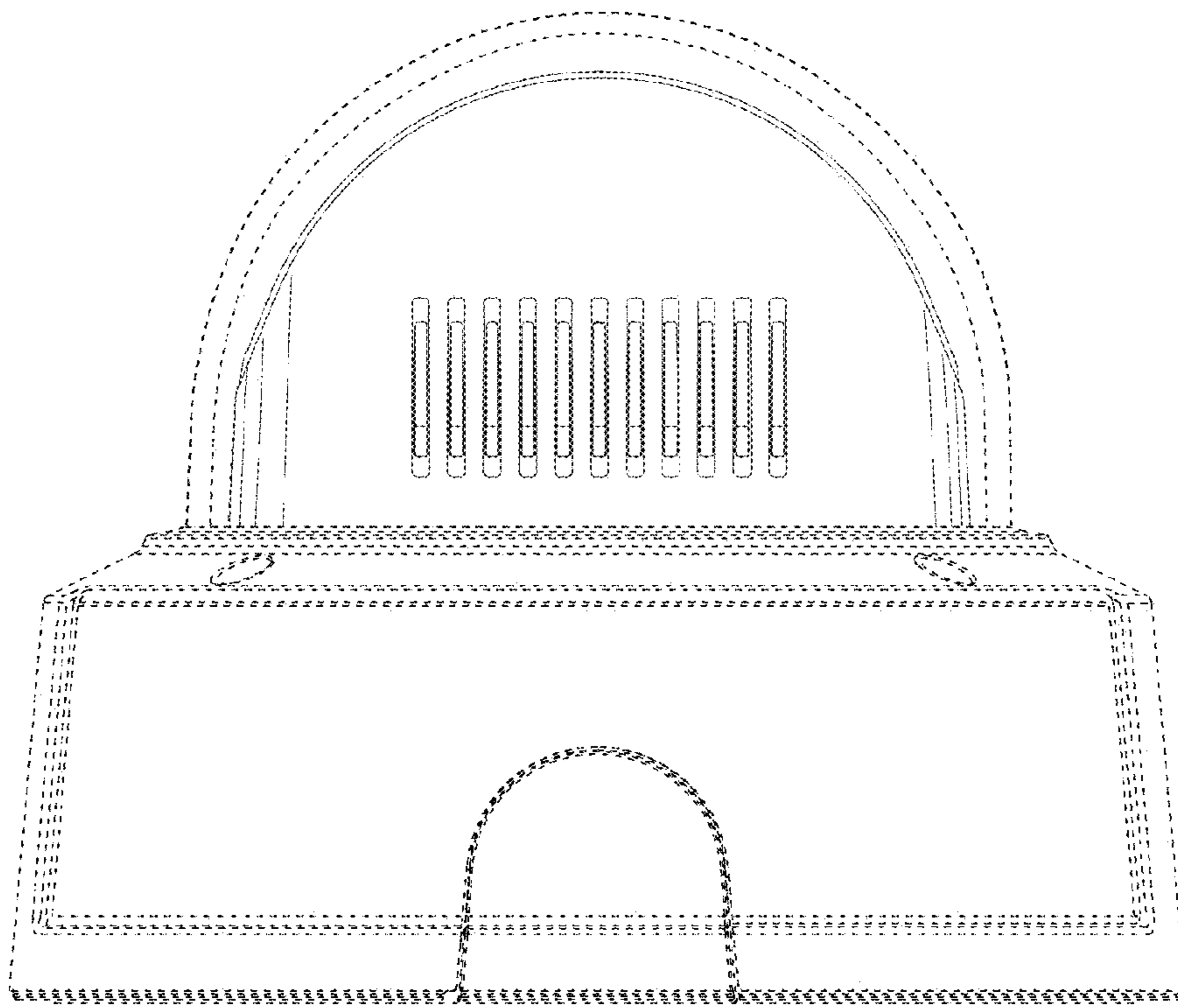


Fig. 6

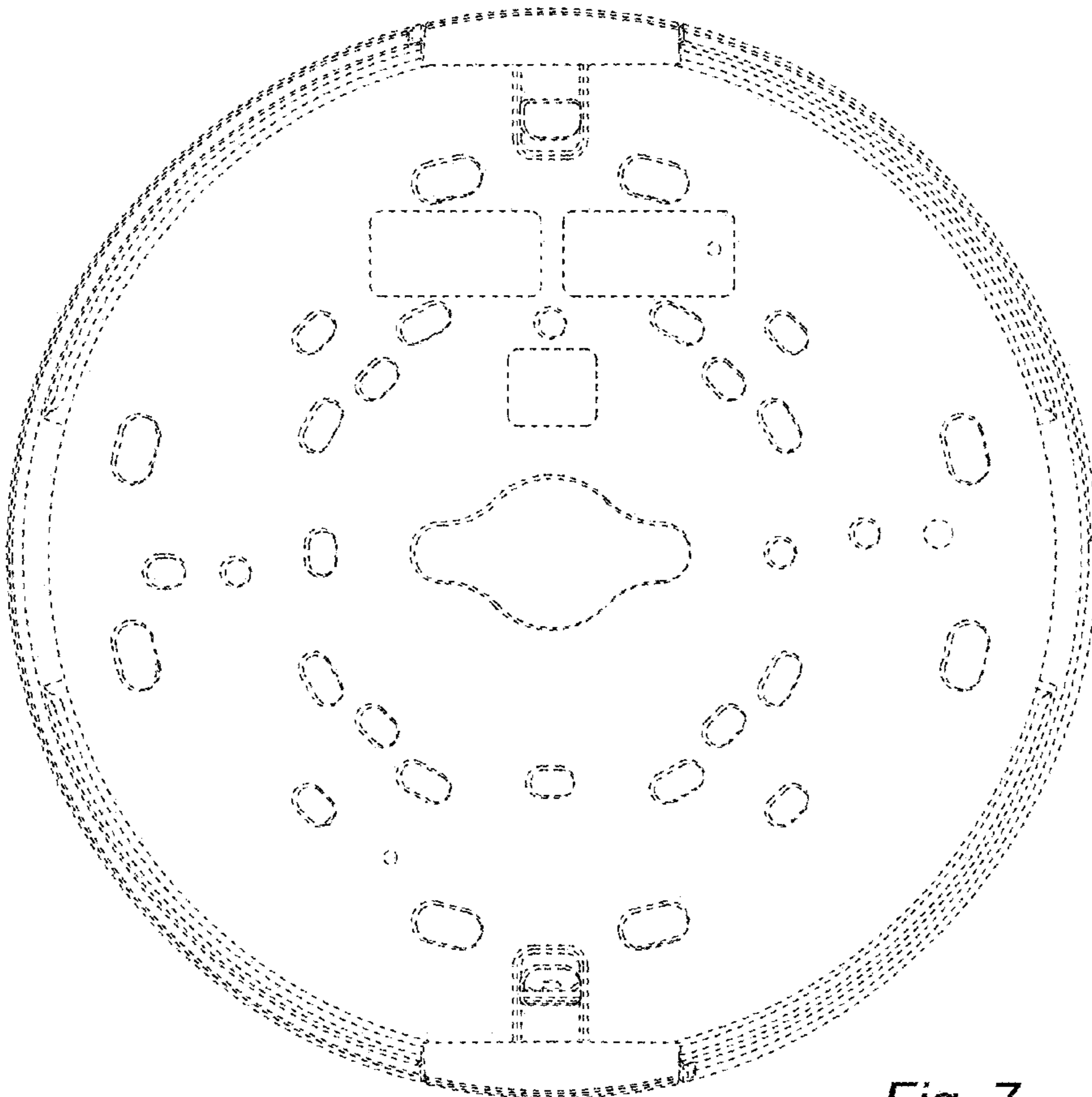


Fig. 7