



US00D873890S

(12) **United States Design Patent** (10) **Patent No.:** **US D873,890 S**
Fidler (45) **Date of Patent:** **** Jan. 28, 2020**

(54) **CAMERA**

(71) Applicant: **Furrion Property Holding Limited,**
Hong Kong (HK)

(72) Inventor: **Matthew David Fidler,** Hong Kong
(HK)

(73) Assignee: **Furrion Property Holding Limited,**
Hong Kong (HK)

(**) Term: **15 Years**

(21) Appl. No.: **29/645,833**

(22) Filed: **Apr. 30, 2018**

(51) **LOC (12) Cl.** **16-01**

(52) **U.S. Cl.**
USPC **D16/218**

(58) **Field of Classification Search**

USPC D16/134, 136, 200, 202–205, 218, 219,
D16/235, 242; 348/373–376;
359/826–828; 396/529–532, 535,
396/539–541
CPC G03B 17/02; G03B 19/04; G03B 17/56;
G03B 17/04; G03B 15/03; G03B 17/14;
H04N 5/2251; H04N 5/2252; H04N
5/2253; H04N 5/2254; G02B 7/02; G02B
7/04; G02B 7/14

See application file for complete search history.

(56) **References Cited**

U.S. PATENT DOCUMENTS

D484,167 S	*	12/2003	Naito	D16/202
D534,939 S	*	1/2007	Sheehan	D16/208
D641,388 S	*	7/2011	Shih	D16/202
D747,398 S	*	1/2016	Lee	D16/239
D835,081 S	*	12/2018	Luo	D14/229
D837,927 S	*	1/2019	Trulsson	D22/109
D841,642 S	*	2/2019	Eslava	D14/253
D856,459 S	*	8/2019	Hamilton	D22/109

OTHER PUBLICATIONS

“Camera Mount,” Design U.S. Appl. No. 29/645,836, filed Apr. 30, 2018 under the applicant Furrion Property Holding Limited, 9 pages.

(Continued)

Primary Examiner — Ramzi S Almatrahi

(74) *Attorney, Agent, or Firm* — Faegre Baker Daniels LLP

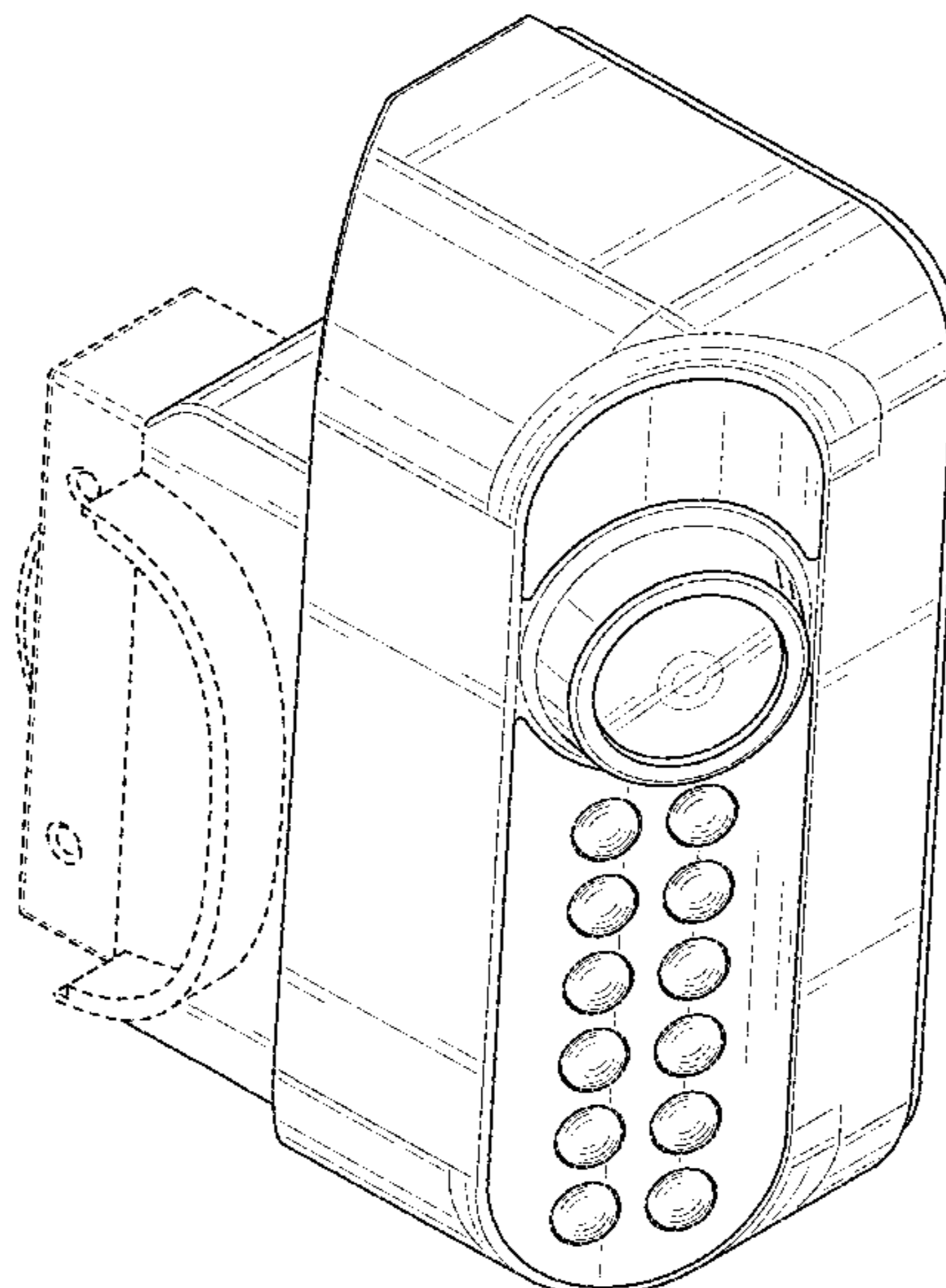
(57) **CLAIM**

The ornamental design for a camera, as shown and described.

DESCRIPTION

FIG. 1 is a front perspective view of a first embodiment of a camera illustrating my new design; FIG. 2 is a front view of the first embodiment of FIG. 1; FIG. 3 is a rear view of the first embodiment of FIG. 1; FIG. 4 is a left side view of the first embodiment of FIG. 1; FIG. 5 is a right side view of the first embodiment of FIG. 1; FIG. 6 is a top view of the first embodiment of FIG. 1; FIG. 7 is a bottom view of the first embodiment of FIG. 1; and, FIG. 8 is a front view of the first embodiment of FIG. 1, shown in condition of use and coupled with an illuminating mount disclosed in broken lines to illustrate an environment. The broken lines depict portions of the camera in which the design is embodied that form no part of the claimed design. Additionally, the dash-dot lines showing an illuminating mount in FIG. 8 represent environmental structure and form no part of the claimed design. A second embodiment of a camera is a mirror image of the first embodiment of FIGS. 1-8.

1 Claim, 8 Drawing Sheets



(56)

References Cited

OTHER PUBLICATIONS

“Camera Mounting Interface,” Design U.S. Appl. No. 29/645,846, filed Apr. 30, 2018 under the applicant Furrion Property Holding Limited, 8 pages.

“Camera,” Design U.S. Appl. No. 29/645,827, filed Apr. 30, 2018 under the applicant Furrion Property Holding Limited, 8 pages.

“Illuminating Camera Mount,” Design U.S. Appl. No. 29/645,843, filed Apr. 30, 2018 under the applicant Furrion Property Holding Limited, 9 pages.

* cited by examiner

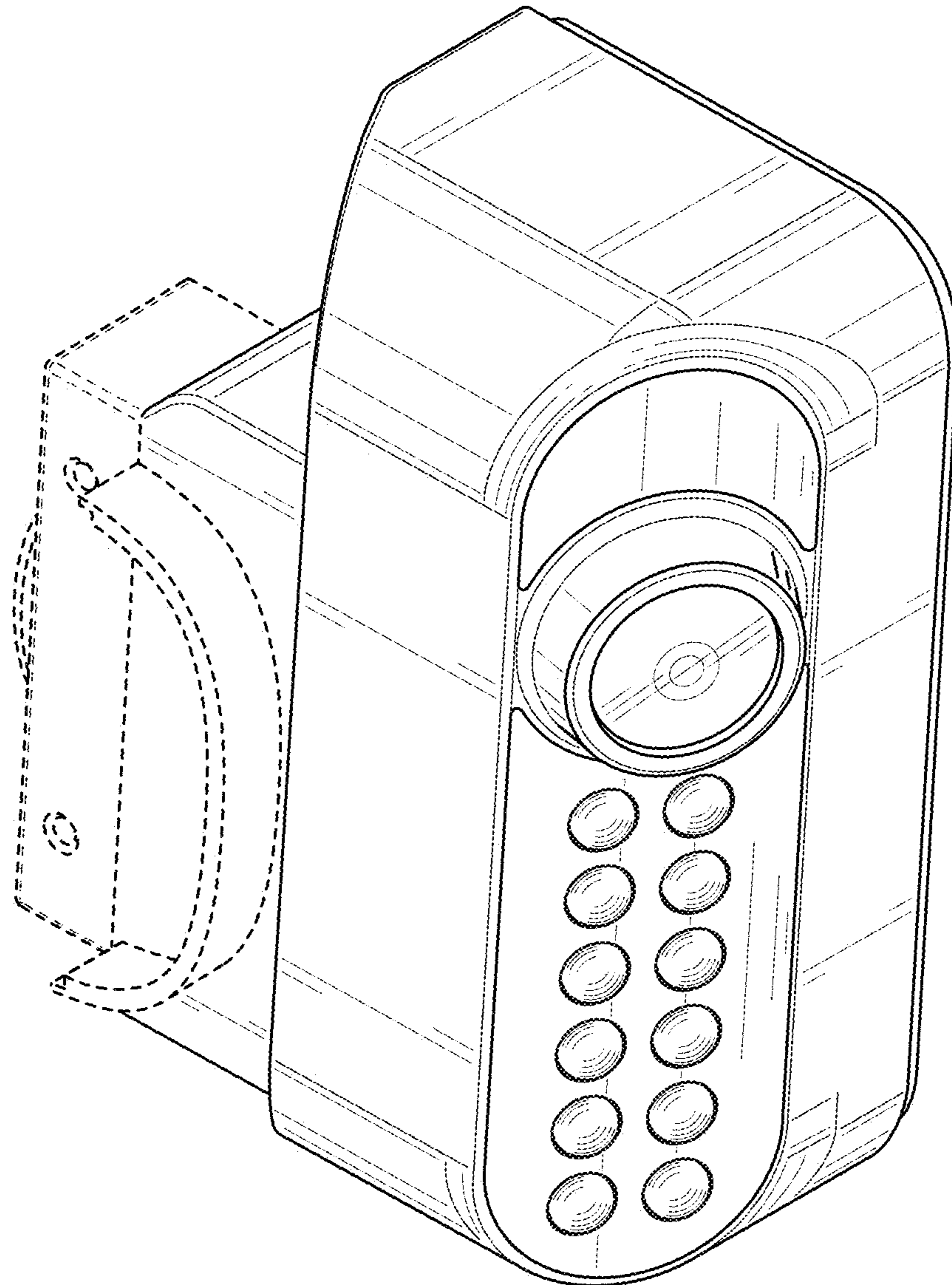


FIG. 1

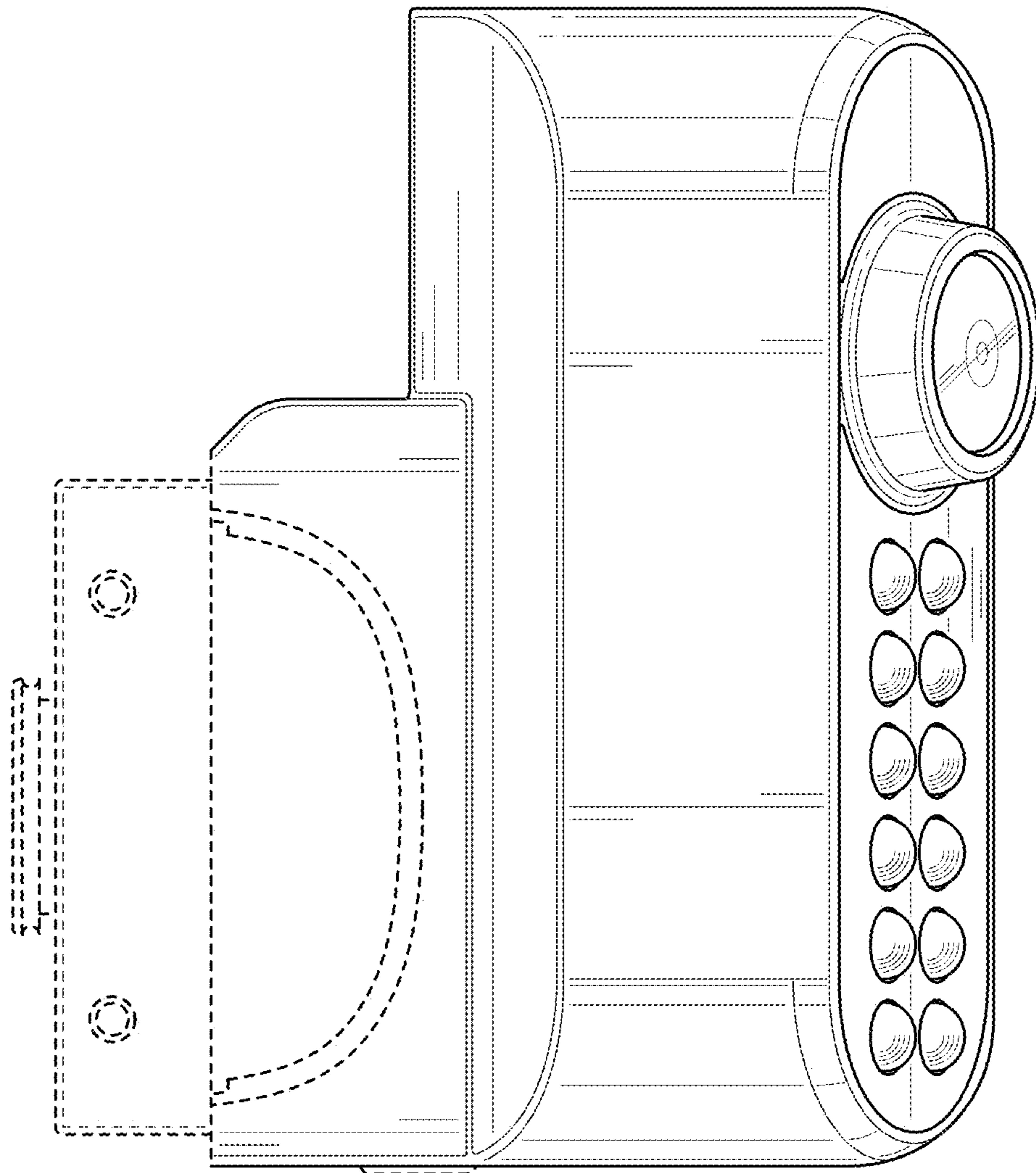


FIG. 2

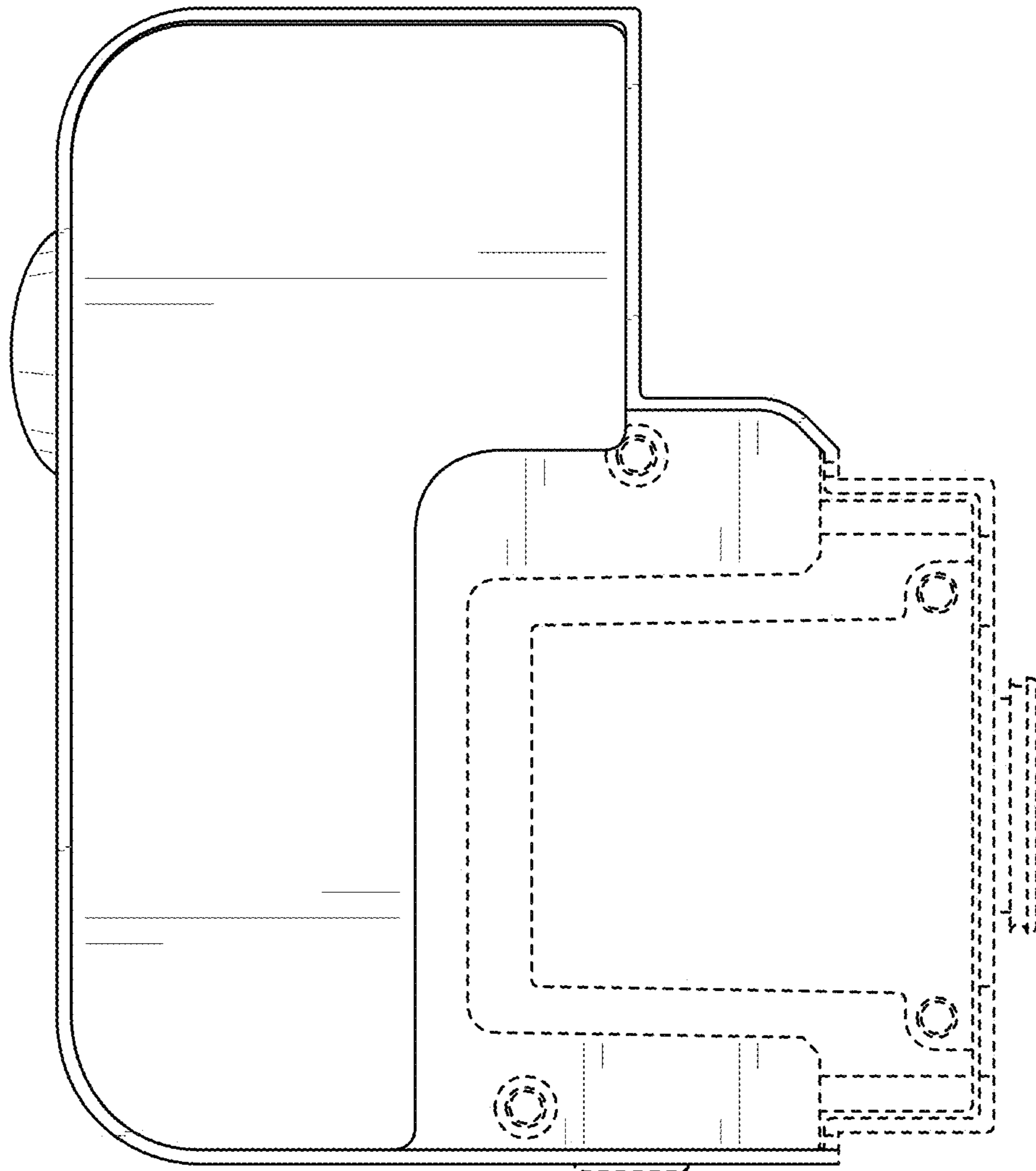


FIG. 3

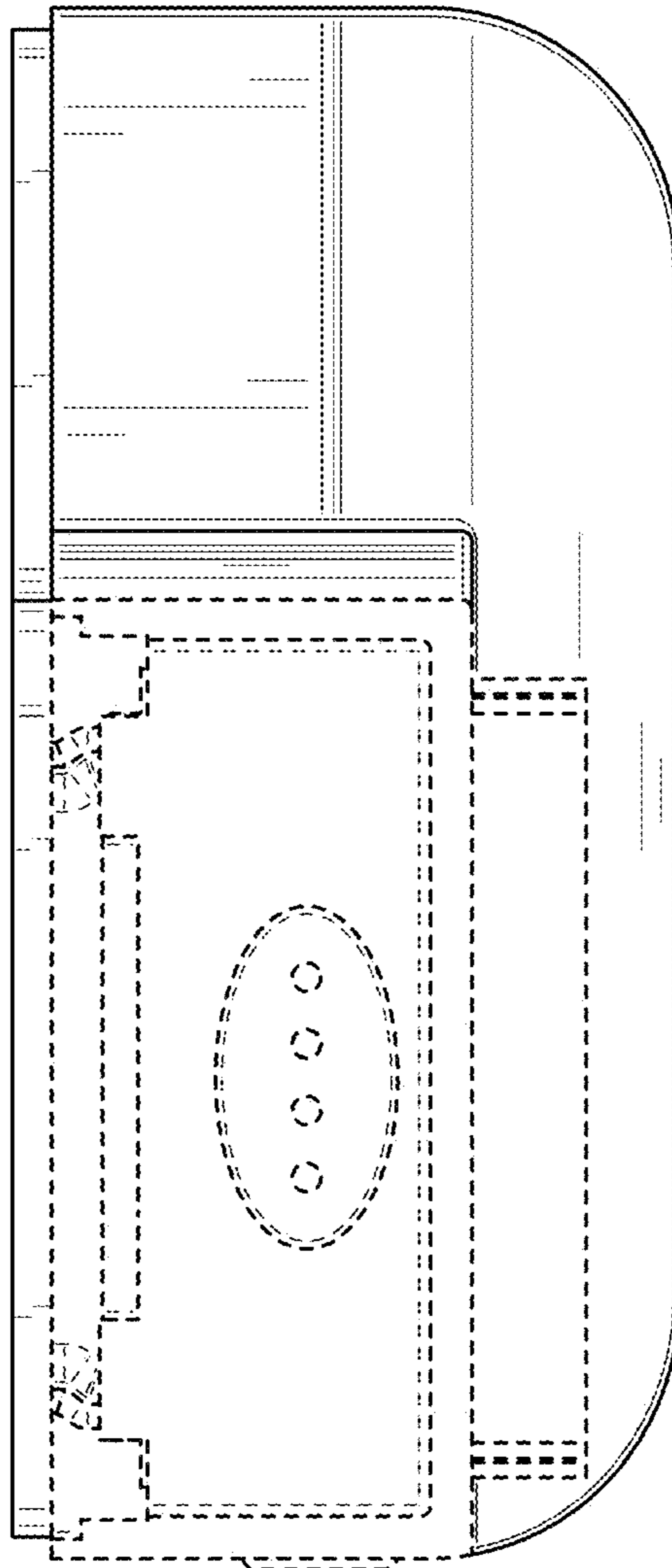


FIG. 4

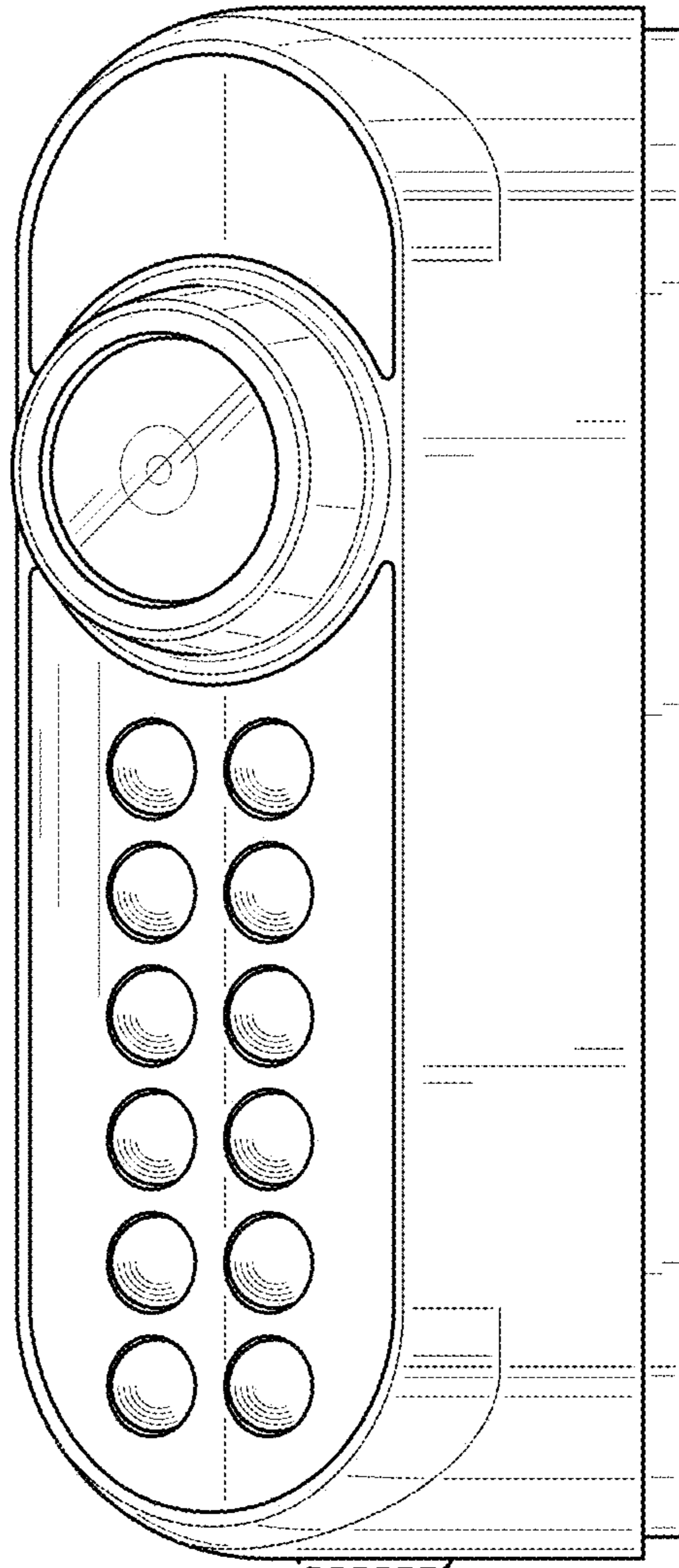


FIG. 5

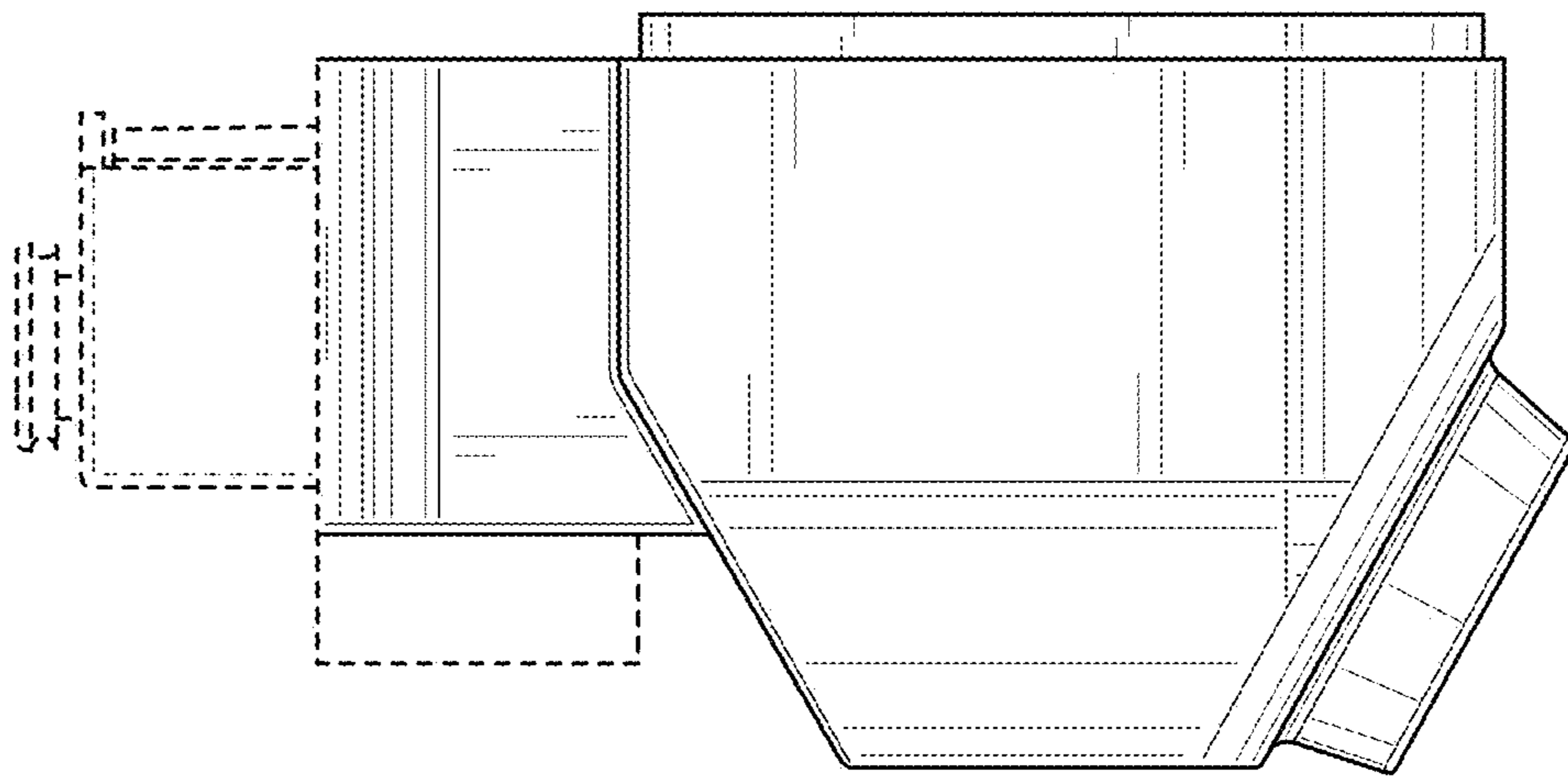


FIG. 6

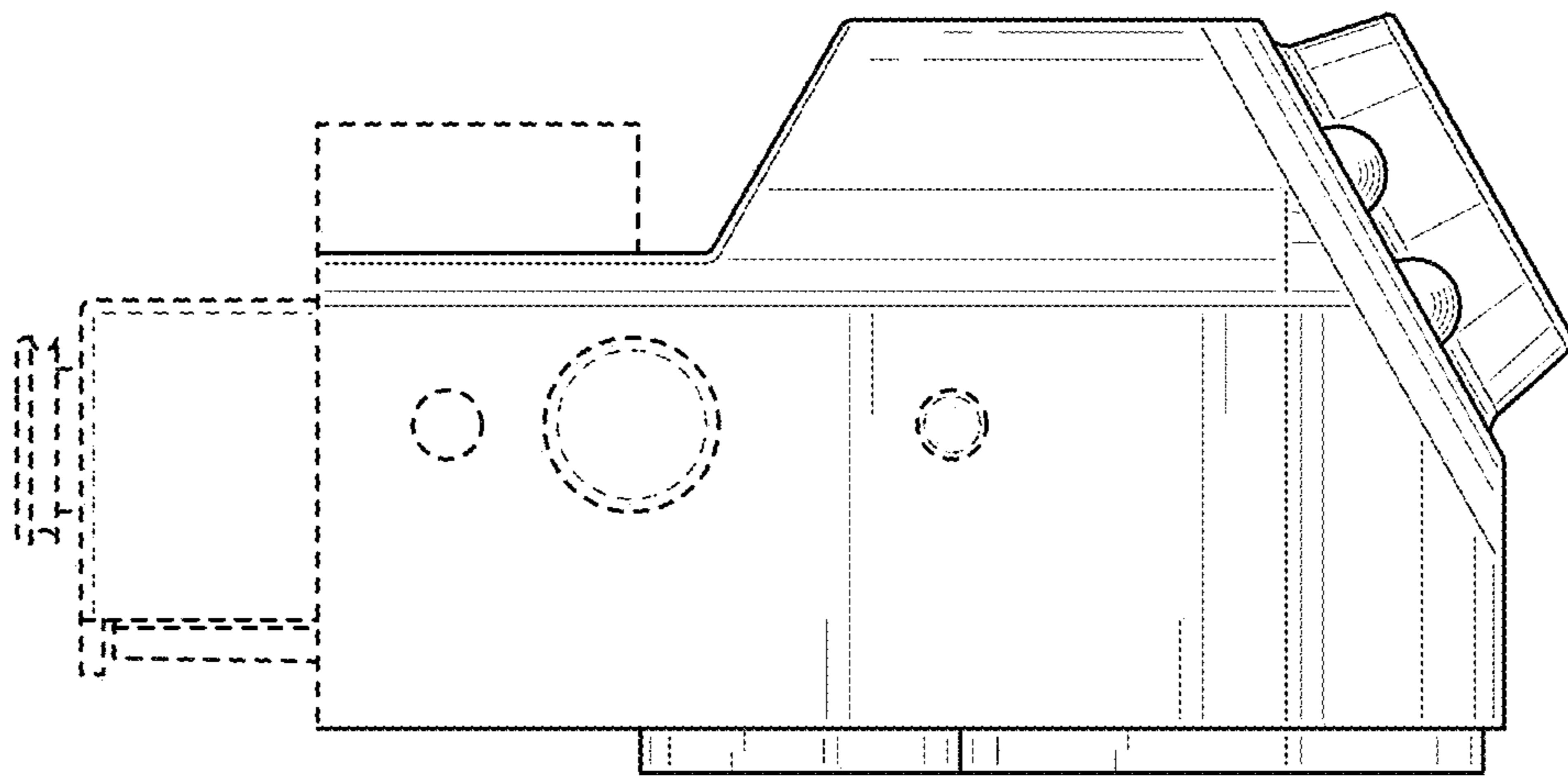


FIG. 7

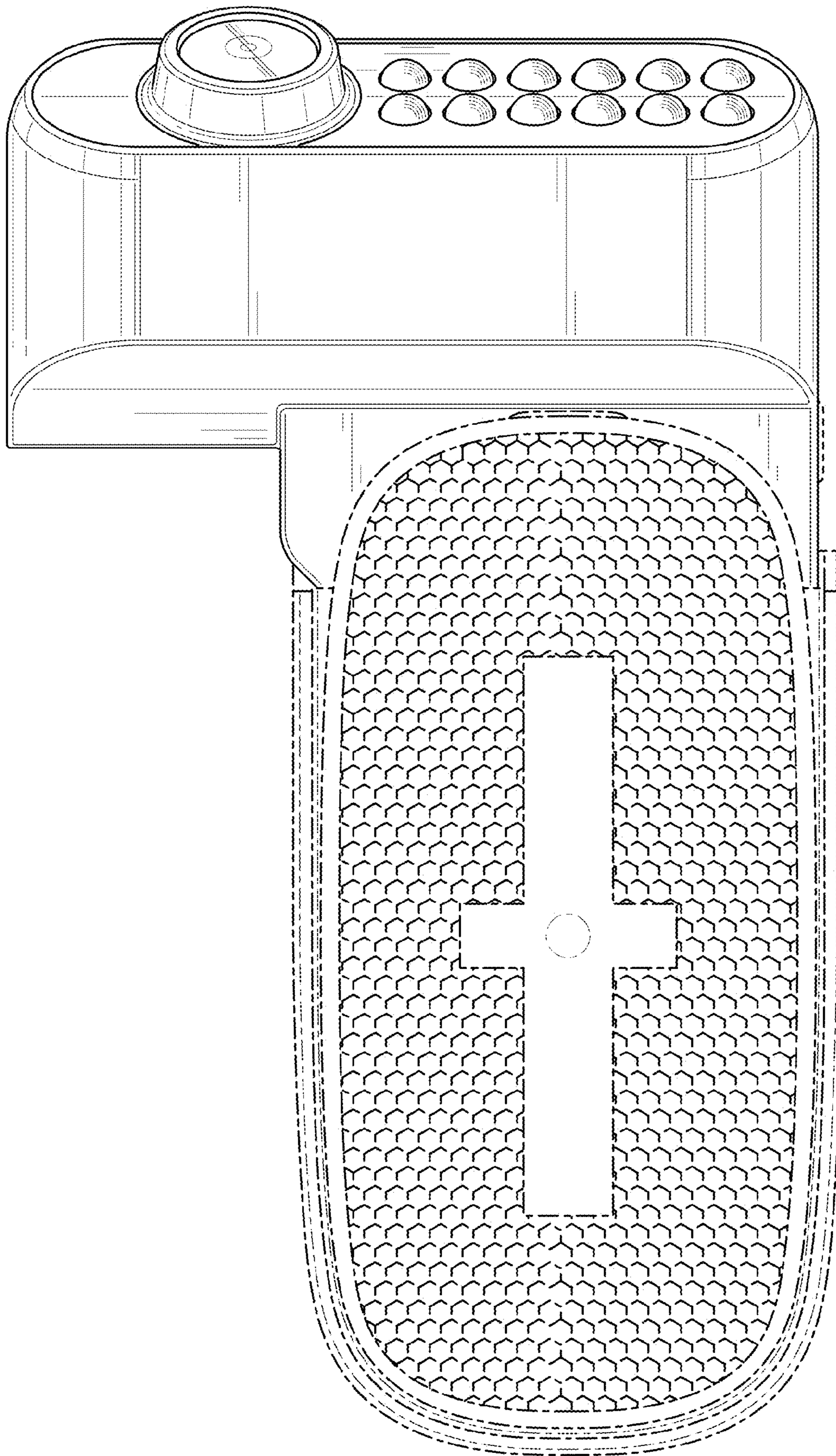


FIG. 8