



US00D873887S

(12) **United States Design Patent**
Rusz et al.

(10) **Patent No.:** **US D873,887 S**

(45) **Date of Patent:** **** Jan. 28, 2020**

(54) **MONITORING CAMERA**

(71) Applicant: **Axis AB**, Lund (SE)

(72) Inventors: **Agnes Rusz**, Lund (SE); **Mariano Vozzi**, Malmo (SE); **Malte Lennerstedt**, Lund (SE); **Jonas Sjogren**, Lund (SE); **Mathias Walter**, Arlov (SE)

(73) Assignee: **AXIS AB**, Lund (SE)

(**) Term: **15 Years**

(21) Appl. No.: **29/666,127**

(22) Filed: **Oct. 10, 2018**

(30) **Foreign Application Priority Data**

Apr. 10, 2018 (EM) 005228608

(51) **LOC (12) Cl.** **16-01**

(52) **U.S. Cl.**
USPC **D16/203**

(58) **Field of Classification Search**
USPC D16/200, 202–206, 218, 219, 242;
348/143, 148, 151, 373–376; 396/419,
396/427, 535, 539–541
CPC G03B 17/02; G03B 19/04; G03B 17/56;
G03B 17/04; G03B 15/03; H04N 5/2251;
H04N 5/2252; H04N 5/2253; H04N
5/2254; H04N 7/181; H04N 7/183; H04N
7/18; G08B 13/1963; G08B 13/19619;
G08B 13/19632; F16M 11/04; F16M
13/00

See application file for complete search history.

(56) **References Cited**

U.S. PATENT DOCUMENTS

D424,087 S * 5/2000 Frick 396/427
D606,105 S * 12/2009 Hinkel D16/203

D637,639 S * 5/2011 Park D16/203
D679,308 S * 4/2013 Park D16/203
D701,258 S * 3/2014 Huang D16/203
D803,921 S * 11/2017 Ballard D16/203
D804,074 S * 11/2017 Fang D26/65
D804,075 S * 11/2017 Fang D26/65
D818,026 S * 5/2018 Ravat D16/203
D824,446 S * 7/2018 Ravat D16/203
D827,691 S * 9/2018 Zhong D16/203
D837,274 S * 1/2019 Ainetoft D16/203
D857,777 S * 8/2019 Rosenkvist D16/203

FOREIGN PATENT DOCUMENTS

EM 001307342-0001 12/2011
EM 001307342-0002 12/2011
EM 001307342-0003 12/2011
EM 001307342-0004 12/2011
EM 001307342-0005 12/2011
EM 001307342-0006 12/2011

(Continued)

Primary Examiner — Ramzi S Almatrahi

(74) *Attorney, Agent, or Firm* — Volpe and Koenig, P.C.

(57) **CLAIM**

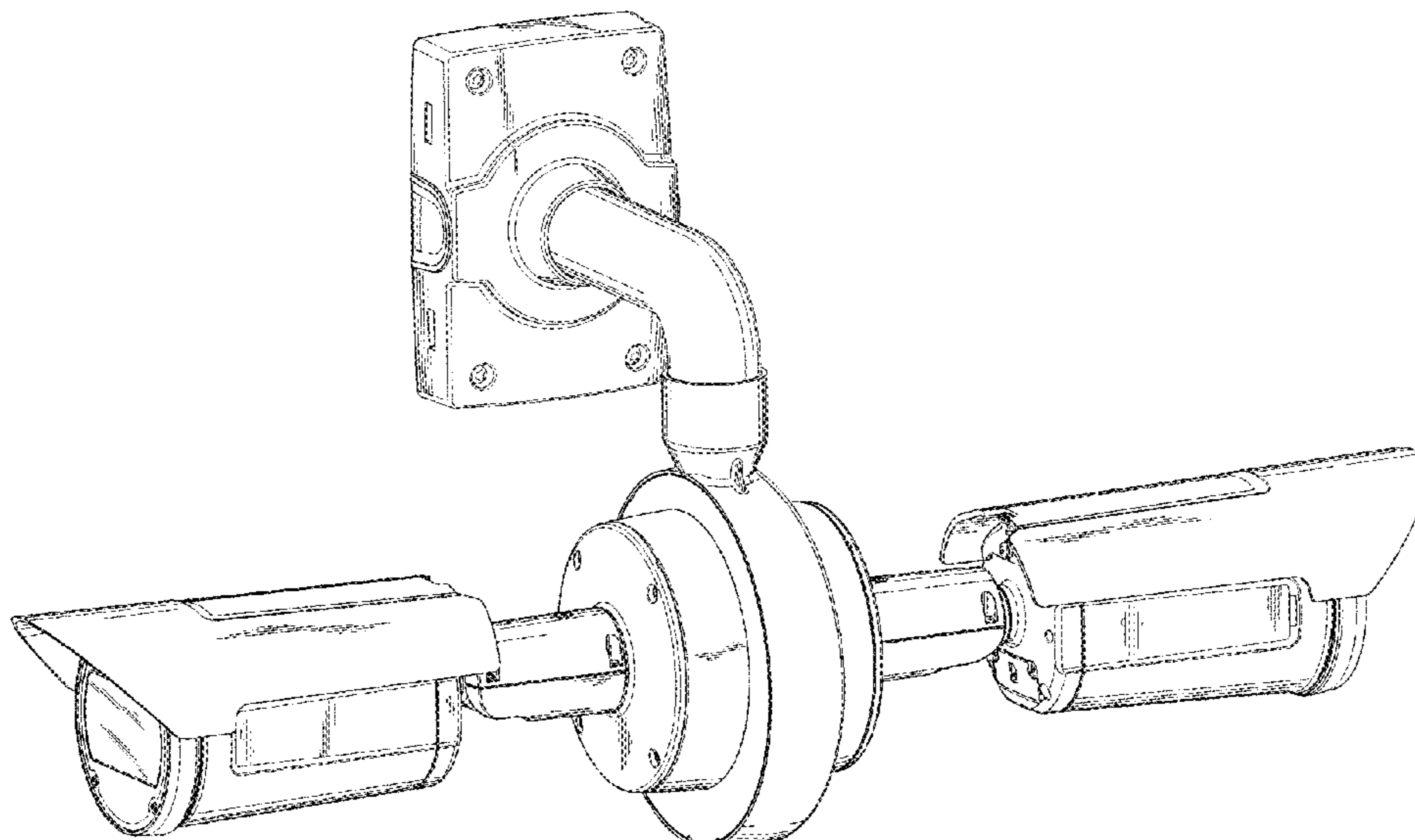
The ornamental design for a monitoring camera, as shown and described.

DESCRIPTION

FIG. 1 is a perspective view of a monitoring camera in accordance with our design;
FIG. 2 is a front elevational view thereof;
FIG. 3 is a top plan view thereof;
FIG. 4 is a right side elevational view thereof;
FIG. 5 is a left side elevational view thereof;
FIG. 6 is a bottom plan elevational view thereof; and,
FIG. 7 is a rear elevational view thereof.

The broken lines represent portions of the monitoring camera in which the design is embodied that form no part of the claimed design.

1 Claim, 4 Drawing Sheets



(56)

References Cited

FOREIGN PATENT DOCUMENTS

EM	001323653-0001	4/2012
EM	001323653-0002	4/2012
EM	001323653-0003	4/2012
EM	001323653-0004	4/2012
EM	002968743-01-04	2/2016

* cited by examiner

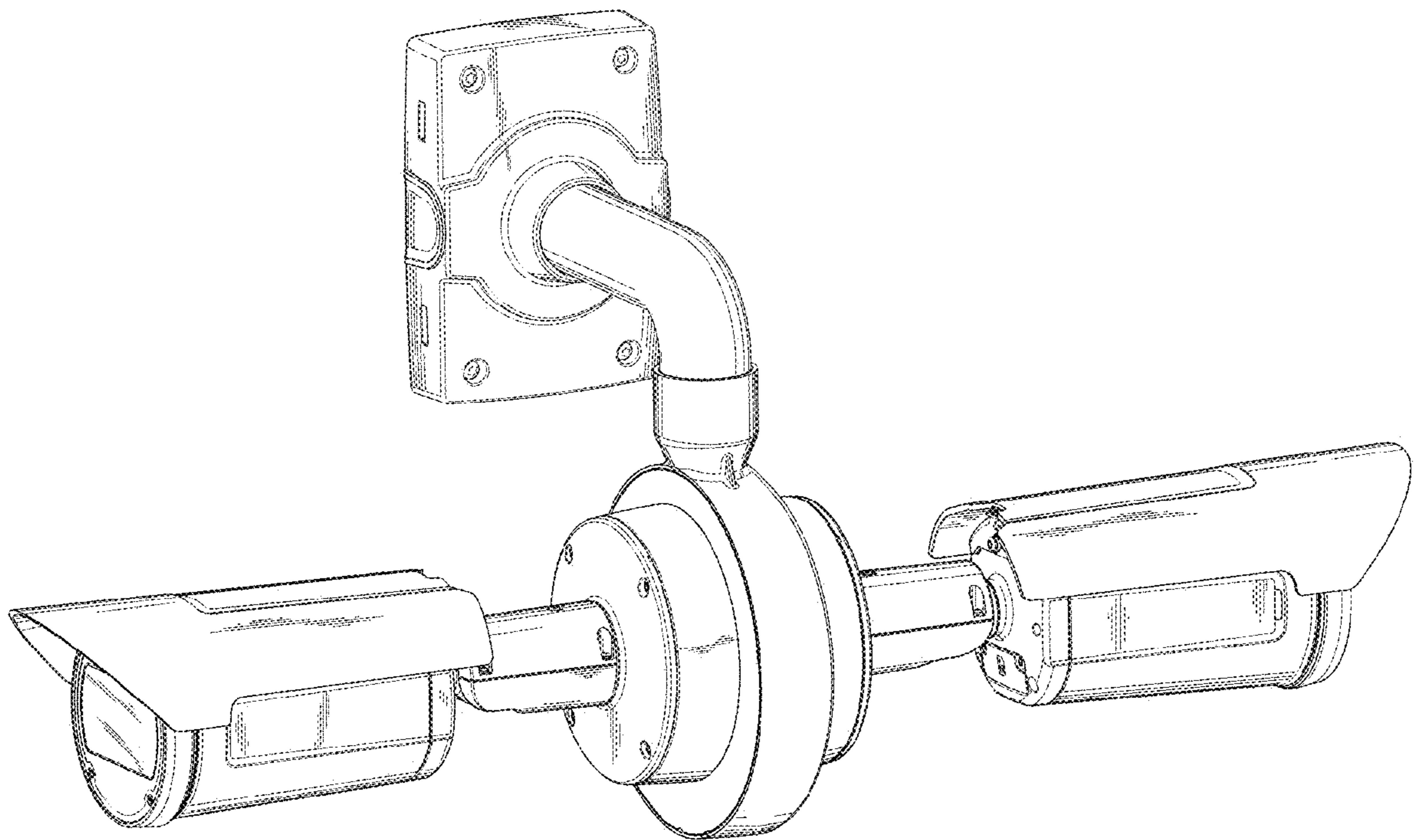


Fig. 1

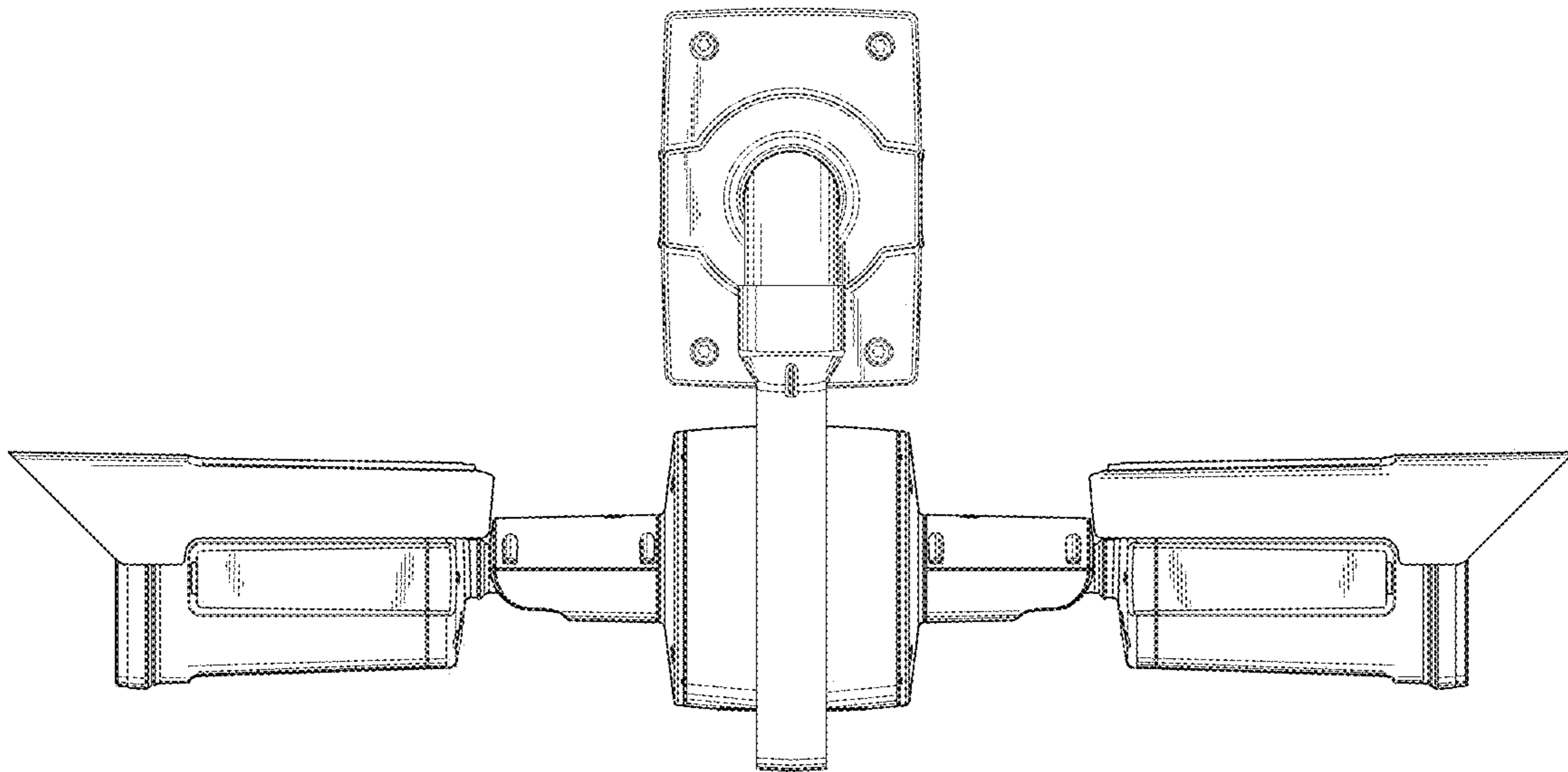


Fig. 2

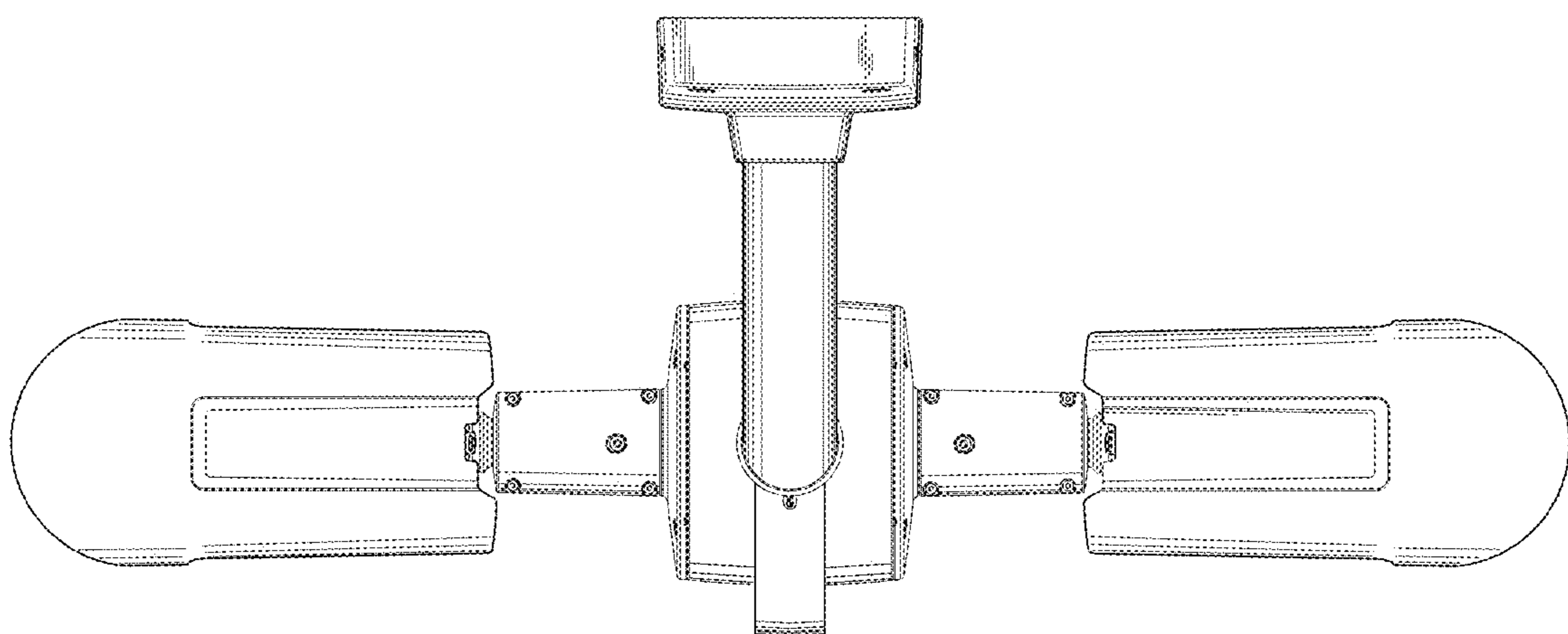


Fig. 3

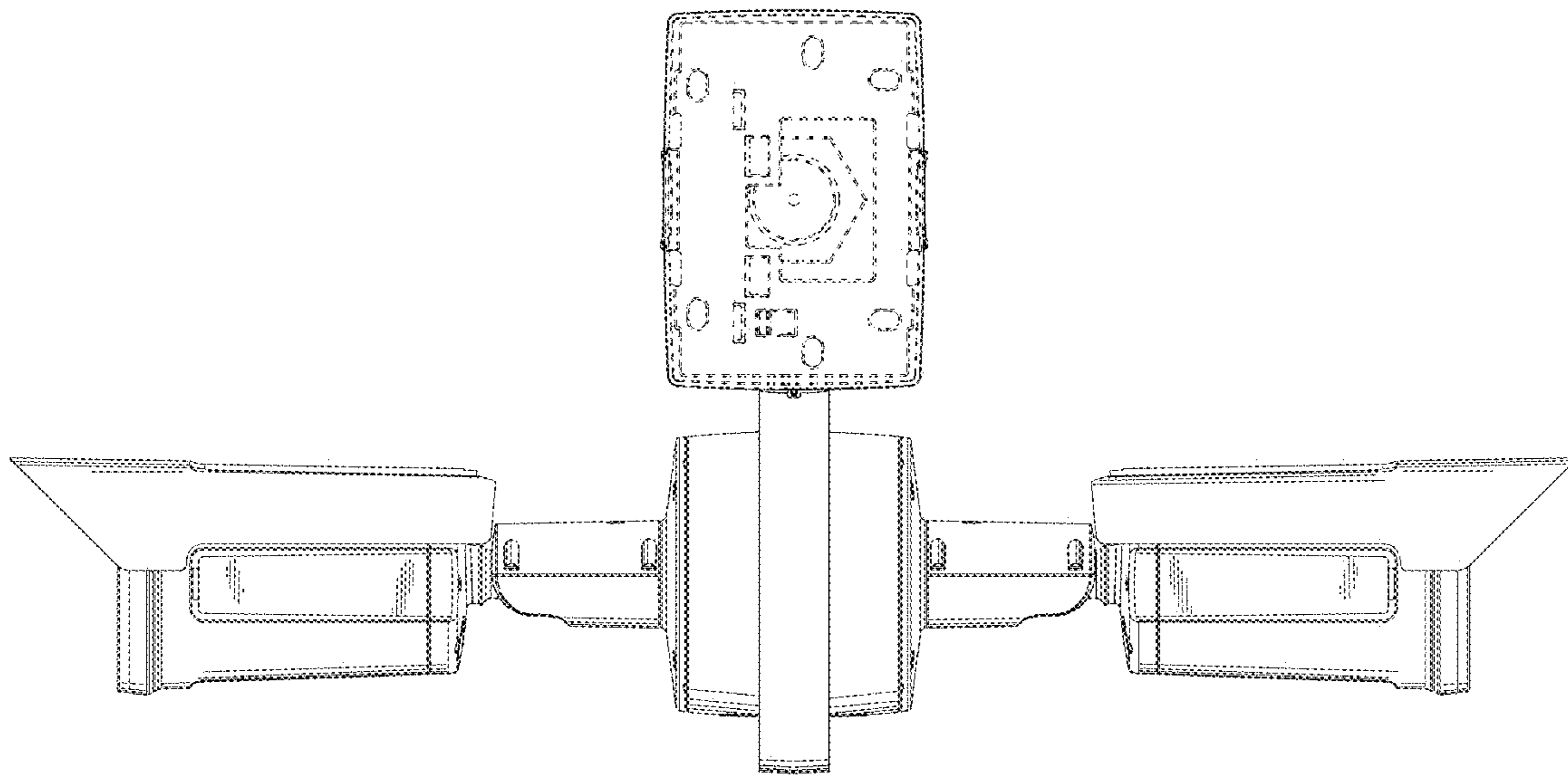


Fig. 4

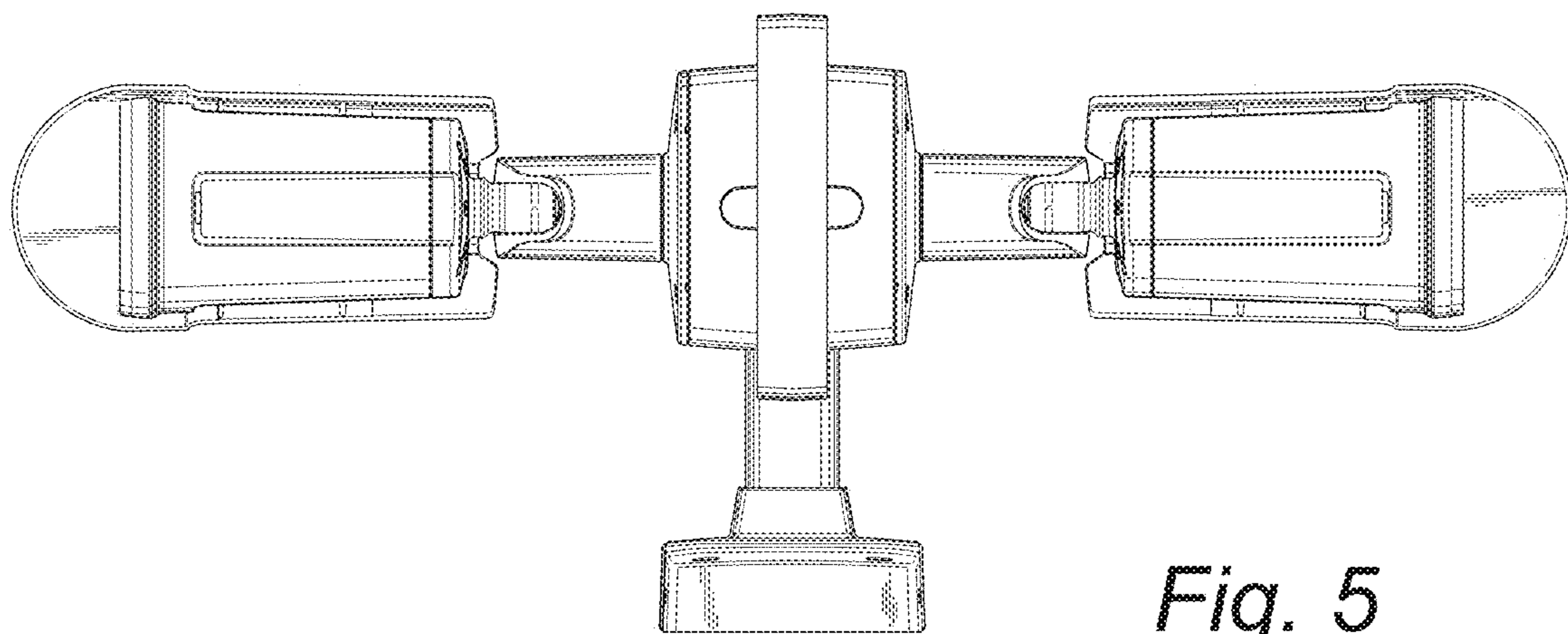


Fig. 5

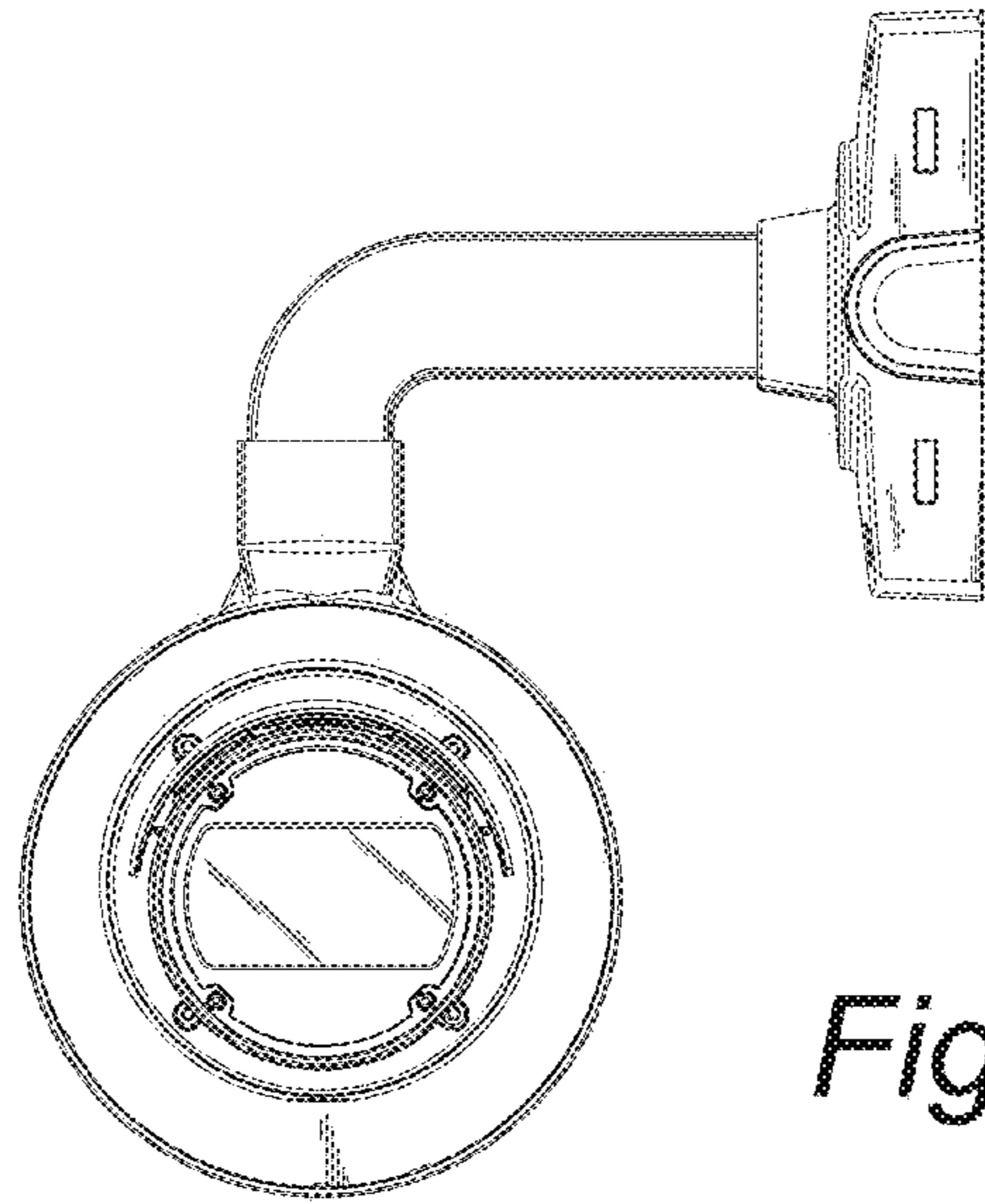


Fig. 6

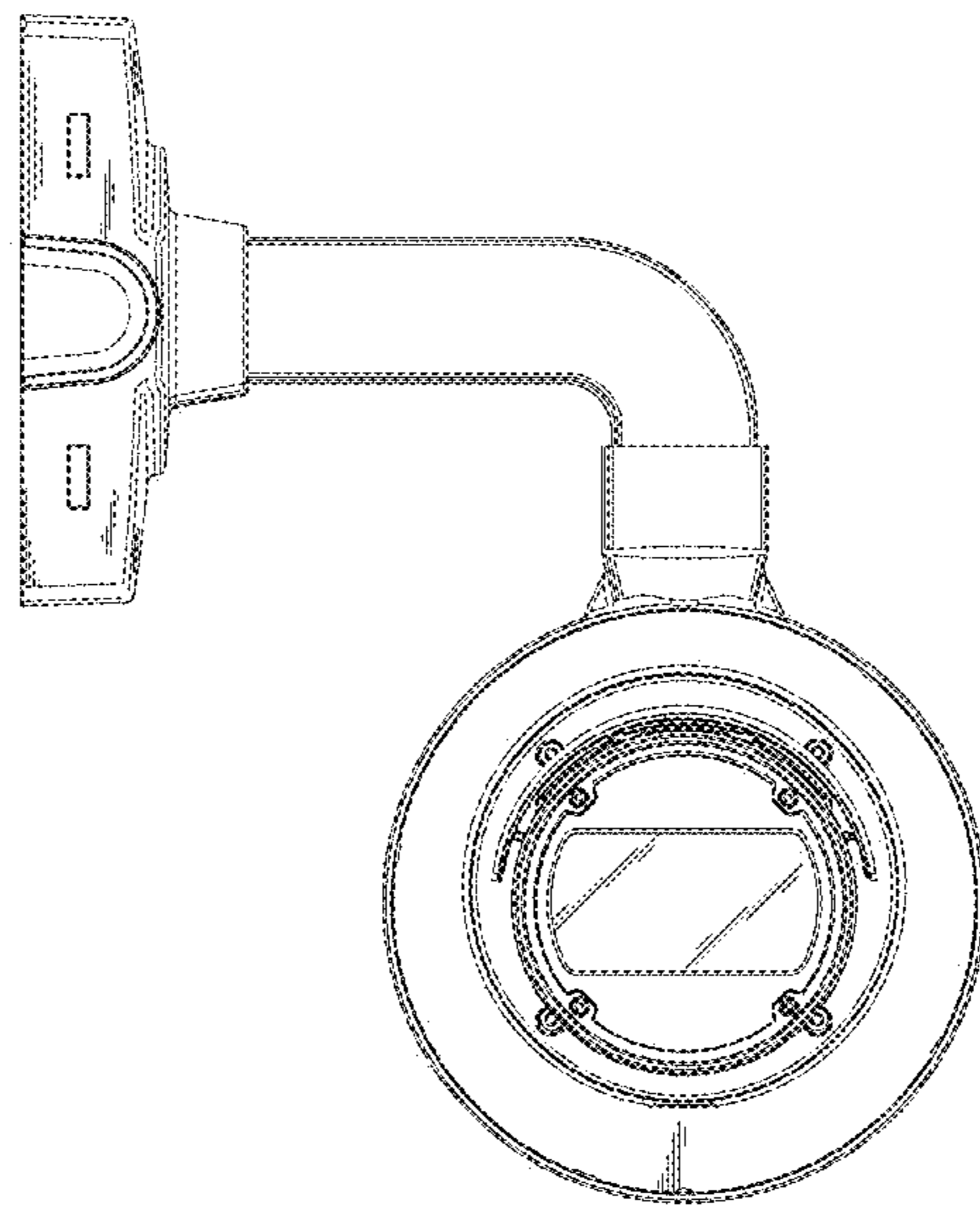


Fig. 7