



US00D873885S

(12) **United States Design Patent**  
**Rusz et al.**

(10) **Patent No.:** **US D873,885 S**  
(45) **Date of Patent:** **\*\* Jan. 28, 2020**

(54) **MONITORING CAMERA**

(71) Applicant: **Axis AB**, Lund (SE)

(72) Inventors: **Agnes Rusz**, Lund (SE); **Mariano Vozzi**, Malmo (SE); **Malte Lennerstedt**, Lund (SE); **Jonas Sjogren**, Lund (SE); **Mathias Walter**, Arlov (SE)

(73) Assignee: **AXIS AB**, Lund (SE)

(\*\*) Term: **15 Years**

(21) Appl. No.: **29/666,123**

(22) Filed: **Oct. 10, 2018**

(30) **Foreign Application Priority Data**

Apr. 10, 2018 (EM) ..... 005228608

(51) **LOC (12) Cl.** ..... **16-01**

(52) **U.S. Cl.**  
USPC ..... **D16/203**

(58) **Field of Classification Search**  
USPC ..... D16/200, 202–206, 218, 219, 242;  
348/143, 148, 151, 373–376; 396/419,  
396/427, 535, 539–541  
CPC ..... G03B 17/02; G03B 19/04; G03B 17/56;  
G03B 17/04; G03B 15/03; H04N 5/2251;  
H04N 5/2252; H04N 5/2253; H04N  
5/2254; H04N 7/181; H04N 7/183; H04N  
7/18; G08B 13/1963; G08B 13/19619;  
G08B 13/19632; F16M 11/04; F16M  
13/00

See application file for complete search history.

(56) **References Cited**

**U.S. PATENT DOCUMENTS**

D424,087 S \* 5/2000 Frick ..... 396/427  
D606,105 S \* 12/2009 Hinkel ..... D16/203

D637,639 S \* 5/2011 Park ..... D16/203  
D679,308 S \* 4/2013 Park ..... D16/203  
D701,258 S \* 3/2014 Huang ..... D16/203  
D803,921 S \* 11/2017 Ballard ..... D16/203  
D804,074 S \* 11/2017 Fang ..... D26/65  
D804,075 S \* 11/2017 Fang ..... D26/65  
D818,026 S \* 5/2018 Ravat ..... D16/203  
D824,446 S \* 7/2018 Ravat ..... D16/203  
D827,691 S \* 9/2018 Zhong ..... D16/203  
D837,274 S \* 1/2019 Ainetoft ..... D16/203  
D857,777 S \* 8/2019 Rosenkvist ..... D16/203

**FOREIGN PATENT DOCUMENTS**

EM 001307342-0001 12/2011  
EM 001307342-0002 12/2011  
EM 001307342-0003 12/2011  
EM 001307342-0004 12/2011  
EM 001307342-0005 12/2011  
EM 001307342-0006 12/2011

(Continued)

*Primary Examiner* — Ramzi S Almatrahi

(74) *Attorney, Agent, or Firm* — Volpe and Koenig, P.C.

(57) **CLAIM**

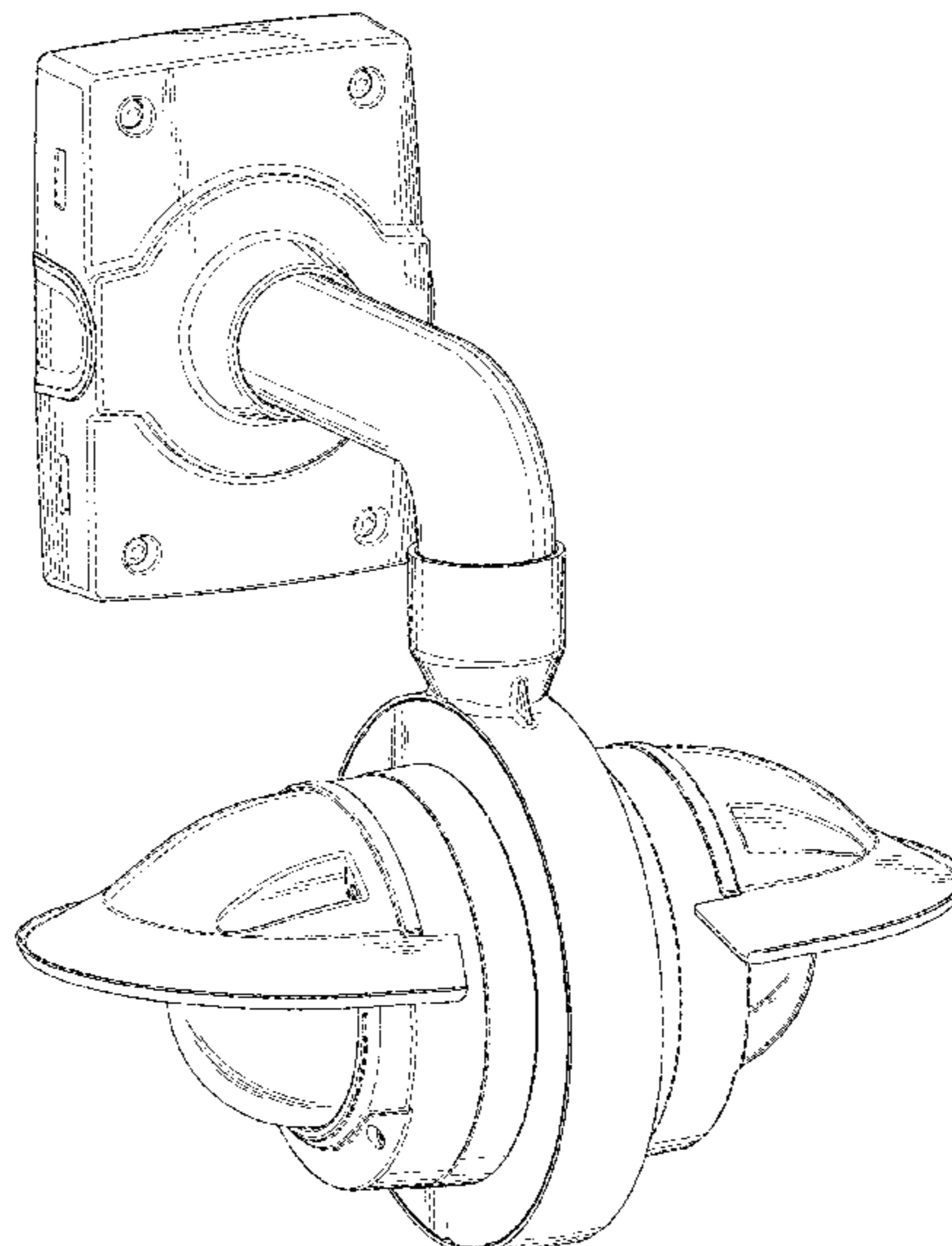
The ornamental design for a monitoring camera, as shown and described.

**DESCRIPTION**

FIG. 1 is a perspective view of a monitoring camera in accordance with our design;  
FIG. 2 is a front elevational view thereof;  
FIG. 3 is a top plan view thereof;  
FIG. 4 is a right side elevational view thereof;  
FIG. 5 is a left side elevational view thereof;  
FIG. 6 is a bottom plan elevational view thereof; and,  
FIG. 7 is a rear elevational view thereof.

The broken lines represent portions of the monitoring camera in which the design is embodied that form no part of the claimed design.

**1 Claim, 6 Drawing Sheets**



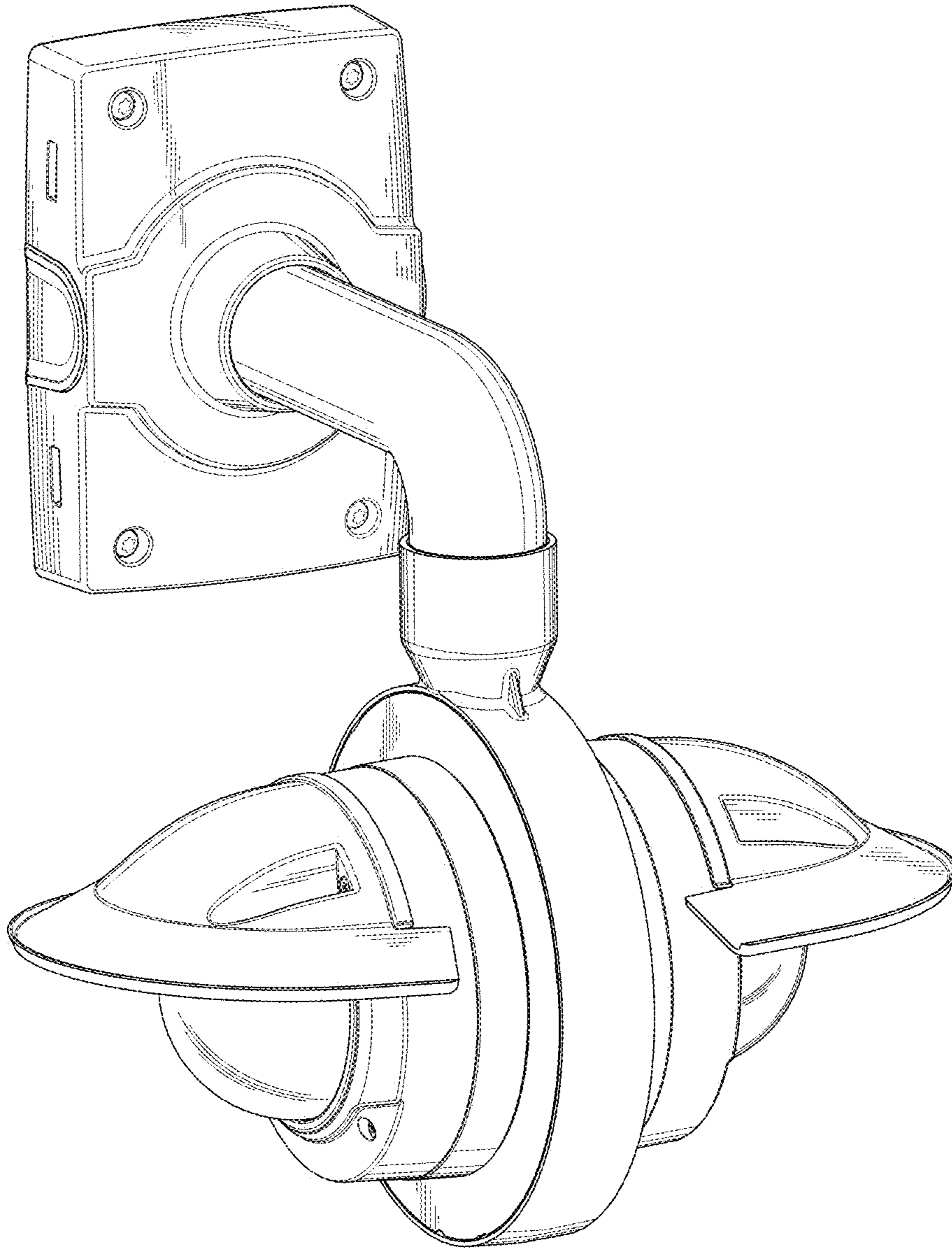
(56)

**References Cited**

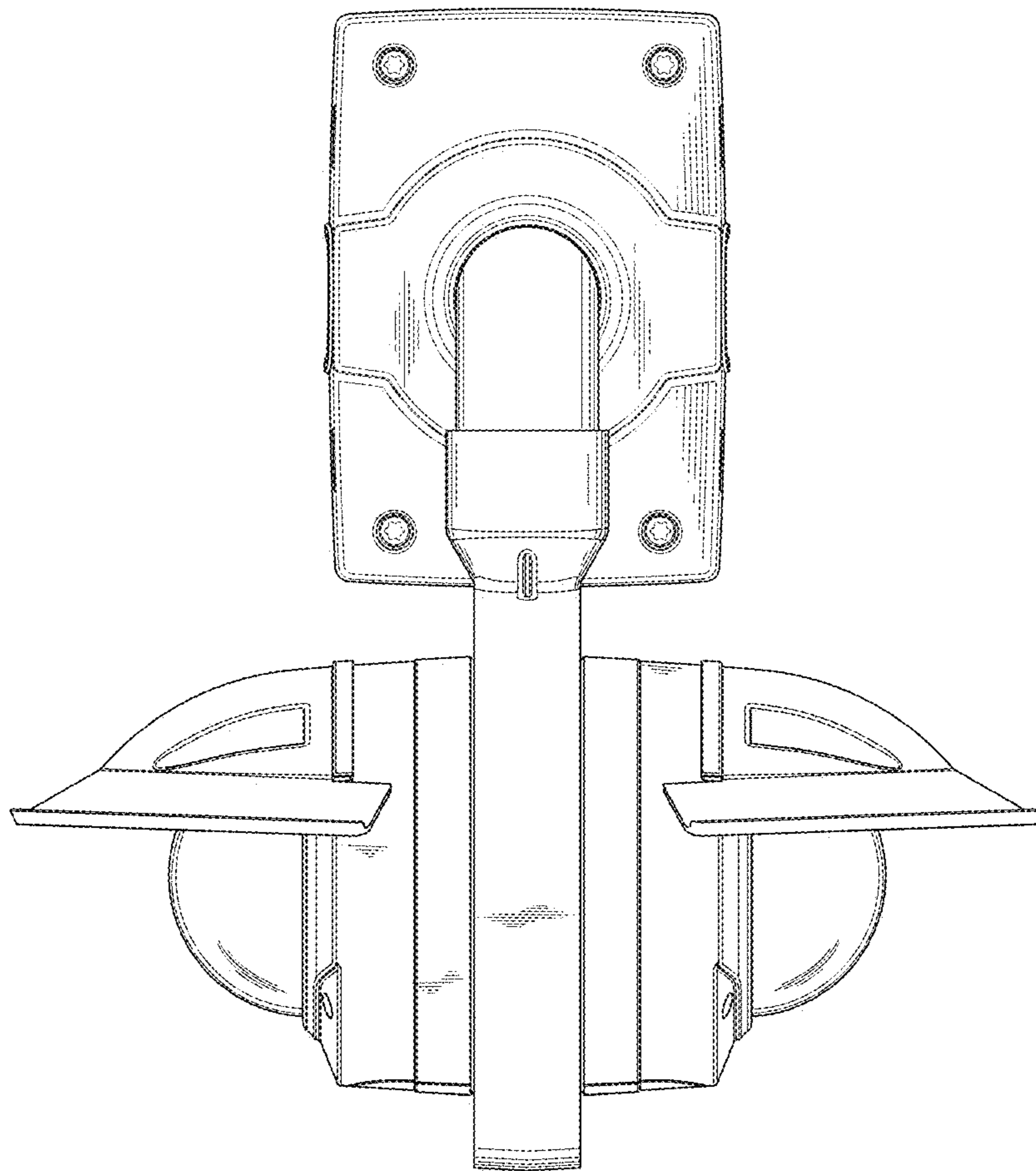
FOREIGN PATENT DOCUMENTS

EM	001323653-0001	4/2012
EM	001323653-0002	4/2012
EM	001323653-0003	4/2012
EM	001323653-0004	4/2012
EM	002968743-01-04	2/2016

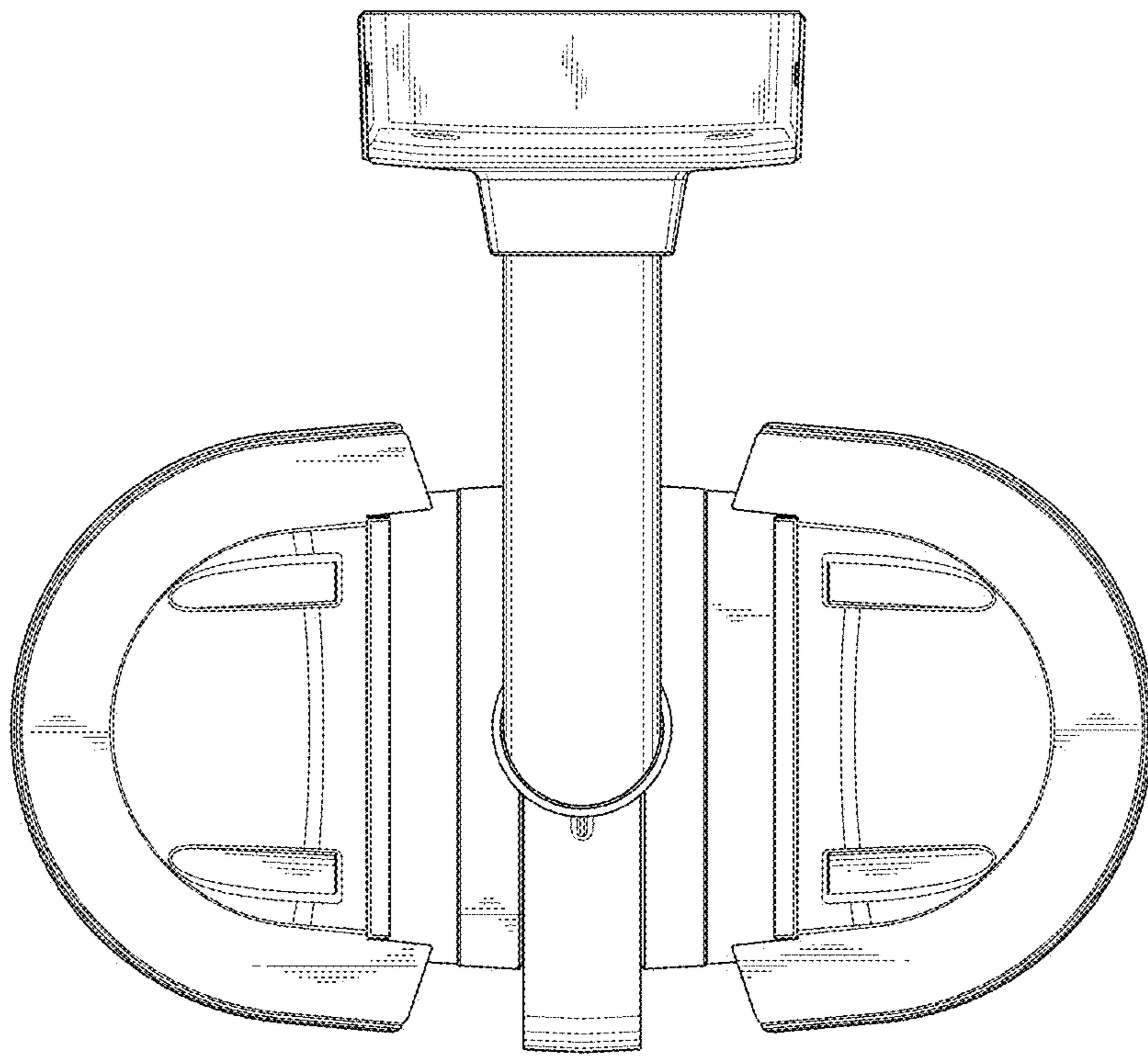
\* cited by examiner



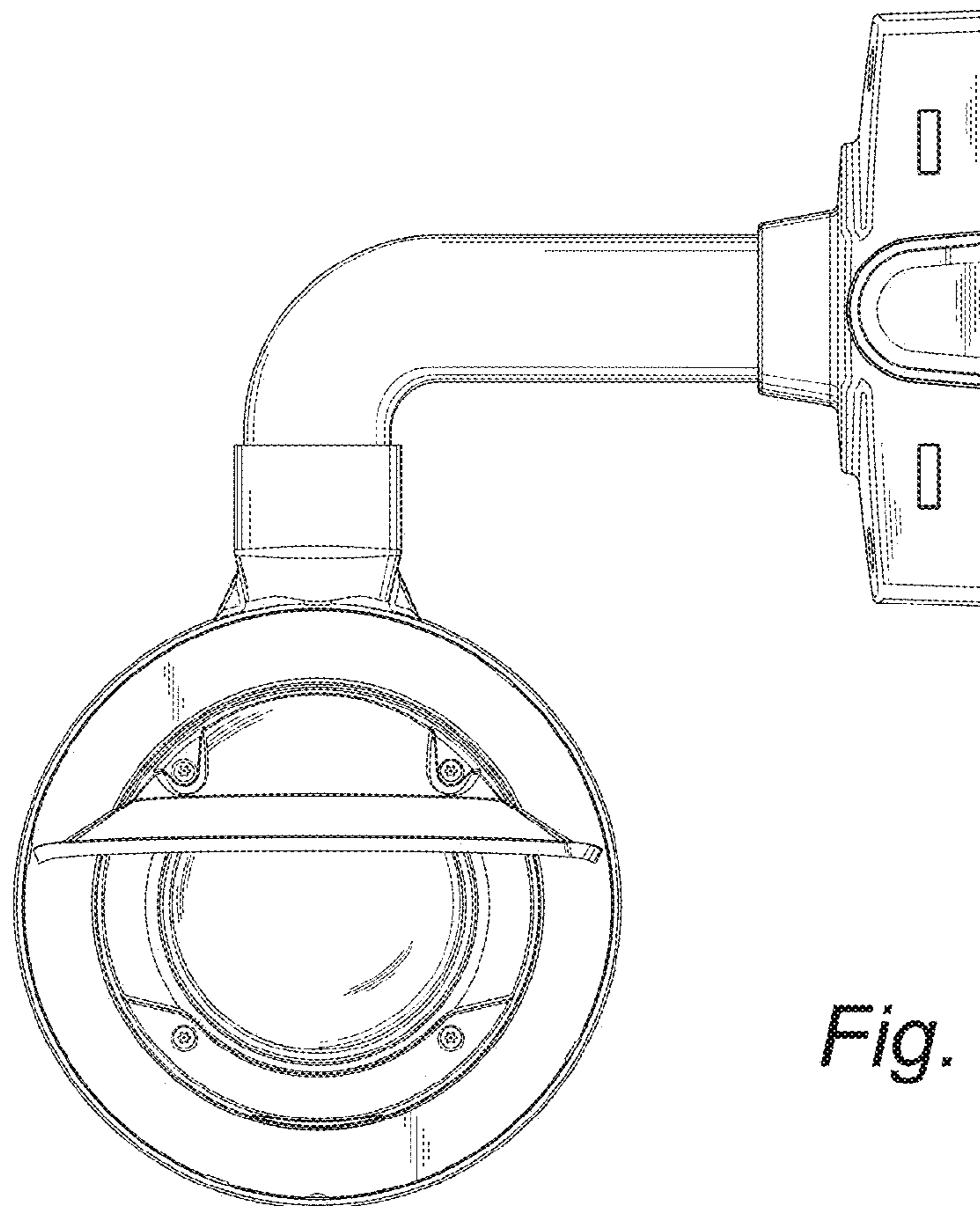
*Fig. 1*



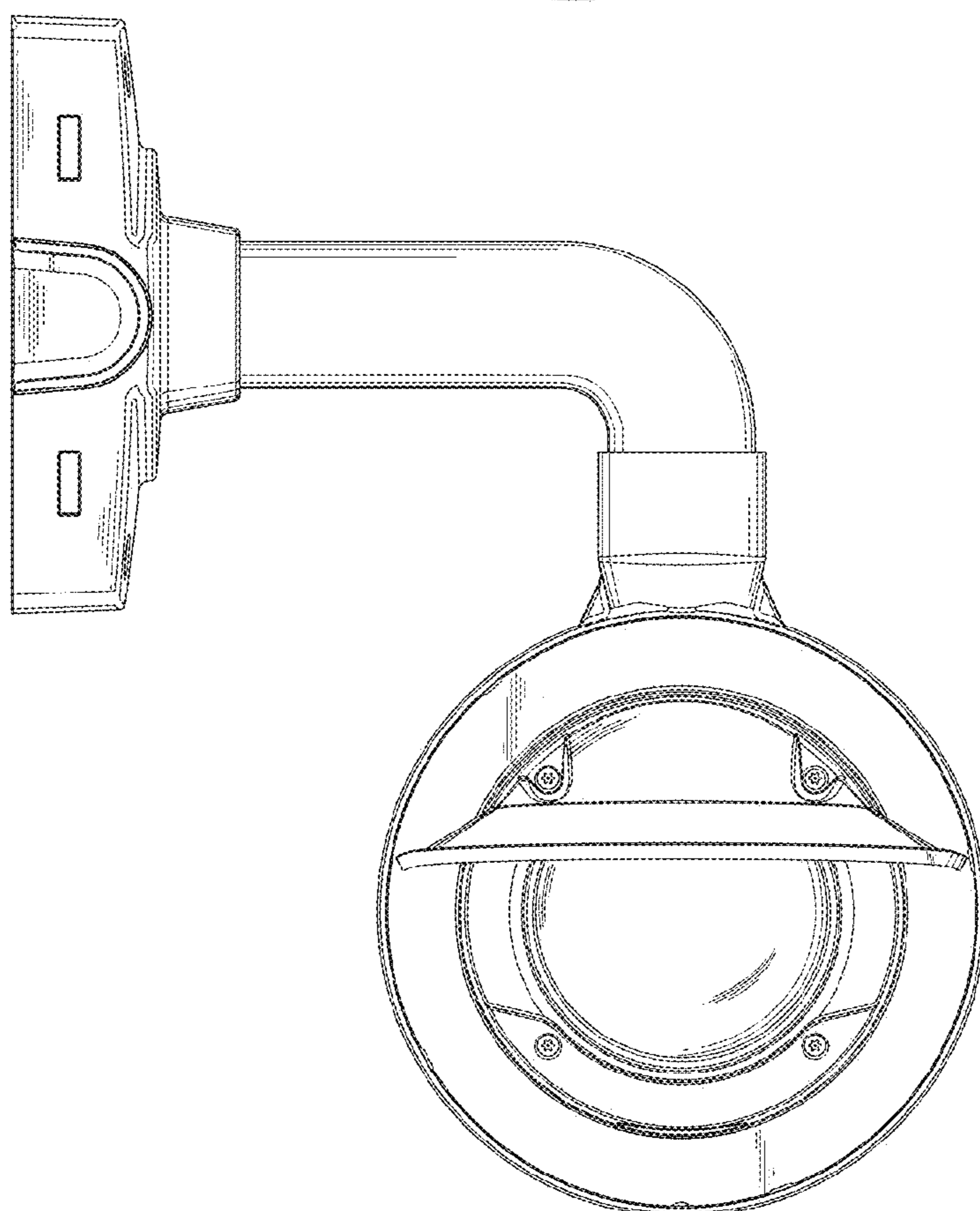
*Fig. 2*



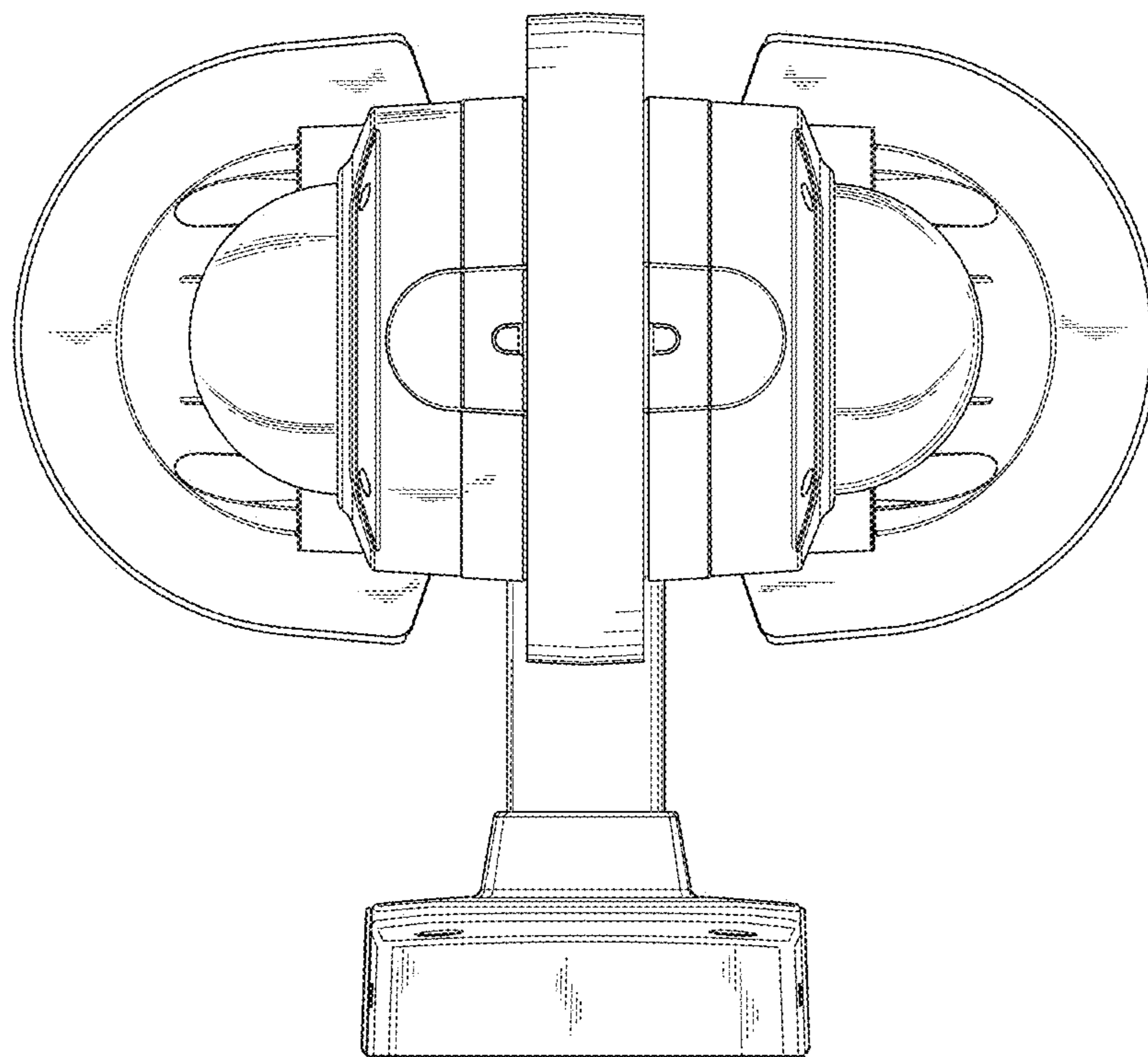
*Fig. 3*



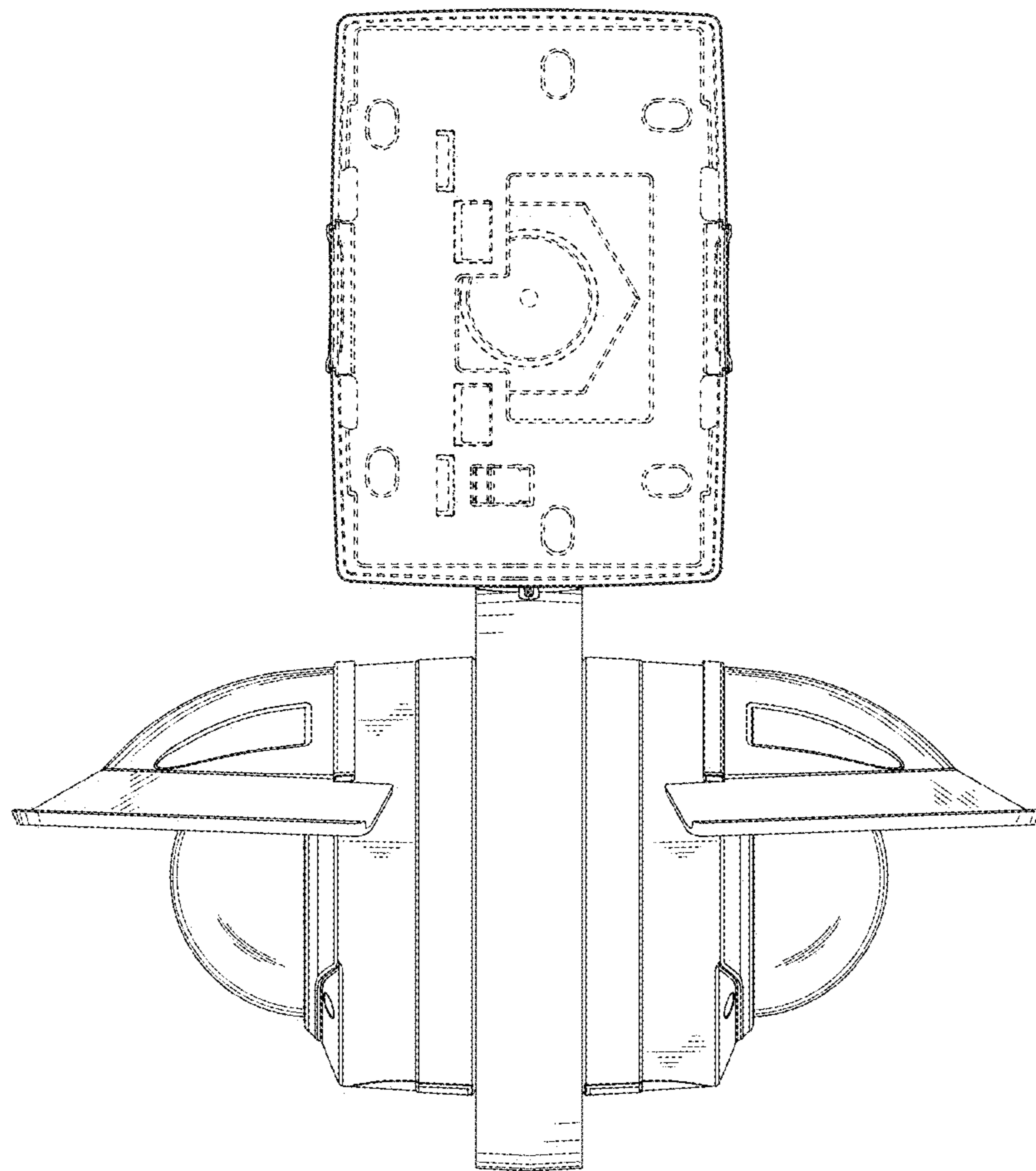
*Fig. 4*



*Fig. 5*



*Fig. 6*



*Fig. 7*