



US00D873884S

(12) **United States Design Patent**
Collryd et al.

(10) **Patent No.:** **US D873,884 S**
(45) **Date of Patent:** **** Jan. 28, 2020**

(54) **MONITORING CAMERA**

(71) Applicant: **Axis AB**, Lund (SE)

(72) Inventors: **Stefan Collryd**, Lund (SE); **Olaf Hoyer**, Lund (SE); **Andreas Hertzman**, Helsingborg (SE); **Mattias Uttke**, Lund (SE); **Malte Bokvist**, Lund (SE); **Jonas Sjogren**, Lund (SE); **Mathias Walter**, Arlov (SE); **Mariano Vozzi**, Malmo (SE)

(73) Assignee: **AXIS AB**, Lund (SE)

(**) Term: **15 Years**

(21) Appl. No.: **29/666,118**

(22) Filed: **Oct. 10, 2018**

(30) **Foreign Application Priority Data**

Apr. 10, 2018 (EM) 005228590

(51) **LOC (12) Cl.** **16-01**

(52) **U.S. Cl.**
USPC **D16/203**

(58) **Field of Classification Search**
USPC D16/200, 202–208, 218, 219, 242;
348/143, 148, 151, 373–376; 396/419,
396/427, 535, 539–541
CPC G03B 17/02; G03B 19/04; G03B 17/56;
G03B 17/04; G03B 15/03; H04N 5/2251;
H04N 5/2252; H04N 5/2253; H04N
5/2254; H04N 7/181; H04N 7/183; H04N
7/18; G08B 13/1963; G08B 13/19619;
G08B 13/19632; F16M 11/04; F16M
13/00

See application file for complete search history.

(56) **References Cited**

U.S. PATENT DOCUMENTS

D688,720 S * 8/2013 Yilin D16/203
D729,859 S 5/2015 Shin et al.

D751,621 S * 3/2016 Katori D16/203
D752,674 S * 3/2016 Katori D16/203
D772,324 S * 11/2016 Bennermark D16/203
D781,169 S * 3/2017 Wang D10/106.5
D786,330 S 5/2017 Tasselli et al.
D786,725 S * 5/2017 McCormick D10/106.5
D796,566 S * 9/2017 Bingleman D16/203
D796,567 S * 9/2017 Bingleman D16/203
D796,568 S * 9/2017 Bingleman D16/203
D798,933 S * 10/2017 Little D16/203
D811,462 S 2/2018 Axelsson et al.
D816,755 S * 5/2018 Barnekow D16/203
D822,088 S * 7/2018 Park D16/203

(Continued)

FOREIGN PATENT DOCUMENTS

EM 002861161-0001 11/2015
EM 002861161-0002 11/2015

(Continued)

Primary Examiner — Ramzi S Almatrahi

(74) *Attorney, Agent, or Firm* — Volpe and Koenig, P.C.

(57) **CLAIM**

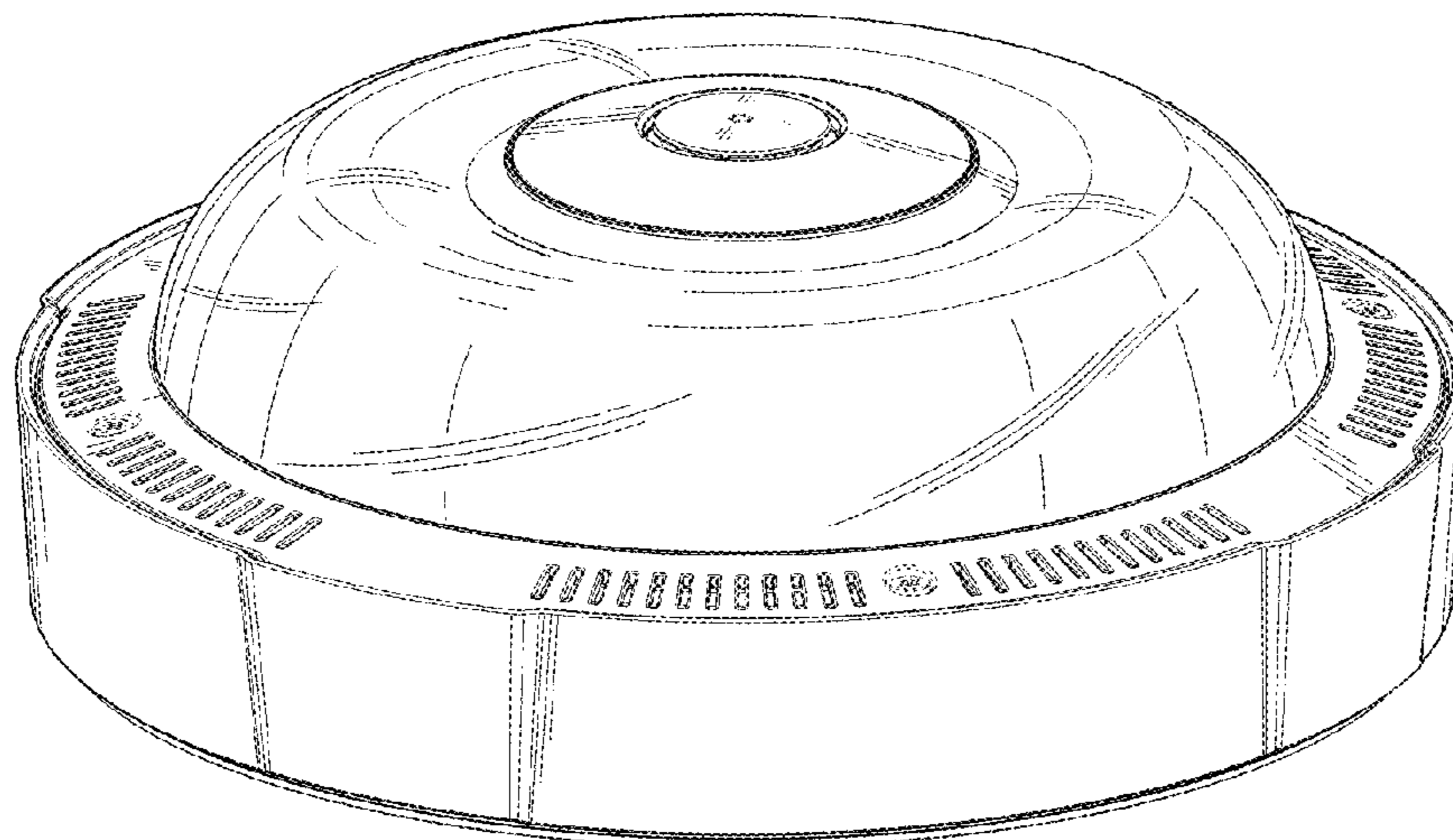
The ornamental design for a monitoring camera, as shown and described.

DESCRIPTION

FIG. 1 is a perspective view of a monitoring camera in accordance with our design;
FIG. 2 is a top plan view thereof;
FIG. 3 is a front elevational view thereof;
FIG. 4 is a rear elevational view thereof;
FIG. 5 is a right side elevational view thereof;
FIG. 6 is a left side elevational view thereof; and,
FIG. 7 is a bottom plan view thereof.

The broken lines represent portions of the monitoring camera in which the design is embodied that form no part of the claimed design.

1 Claim, 5 Drawing Sheets



(56)

References Cited

U.S. PATENT DOCUMENTS

D827,011 S * 8/2018 Kip D16/202
2012/0092504 A1 4/2012 Murphy et al.

FOREIGN PATENT DOCUMENTS

EM	002861161-0003	11/2015
EM	002861161-0004	11/2015
TW	D189516	4/2018
TW	D190813	6/2018
TW	D190815	6/2018

* cited by examiner

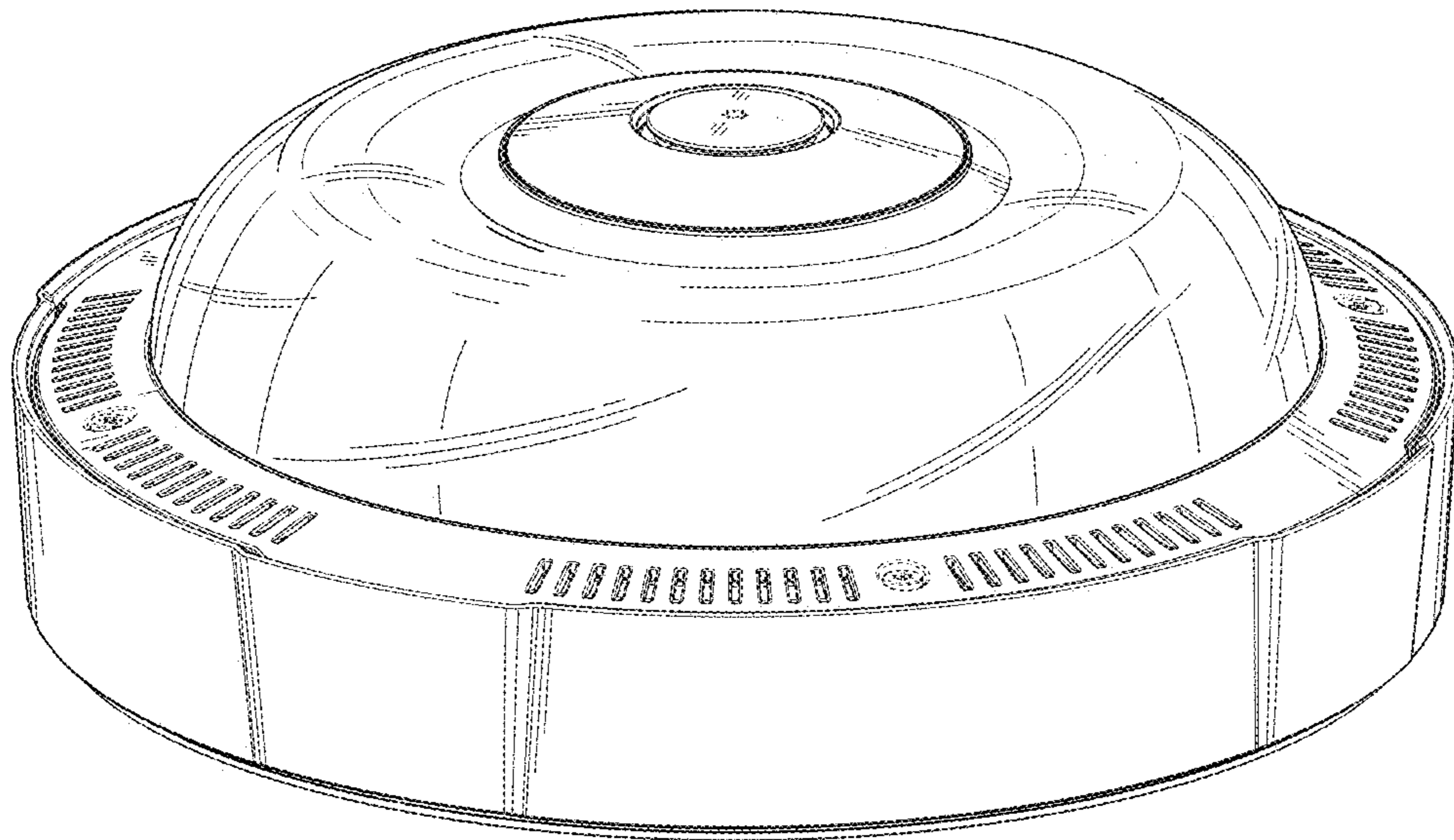


Fig. 1

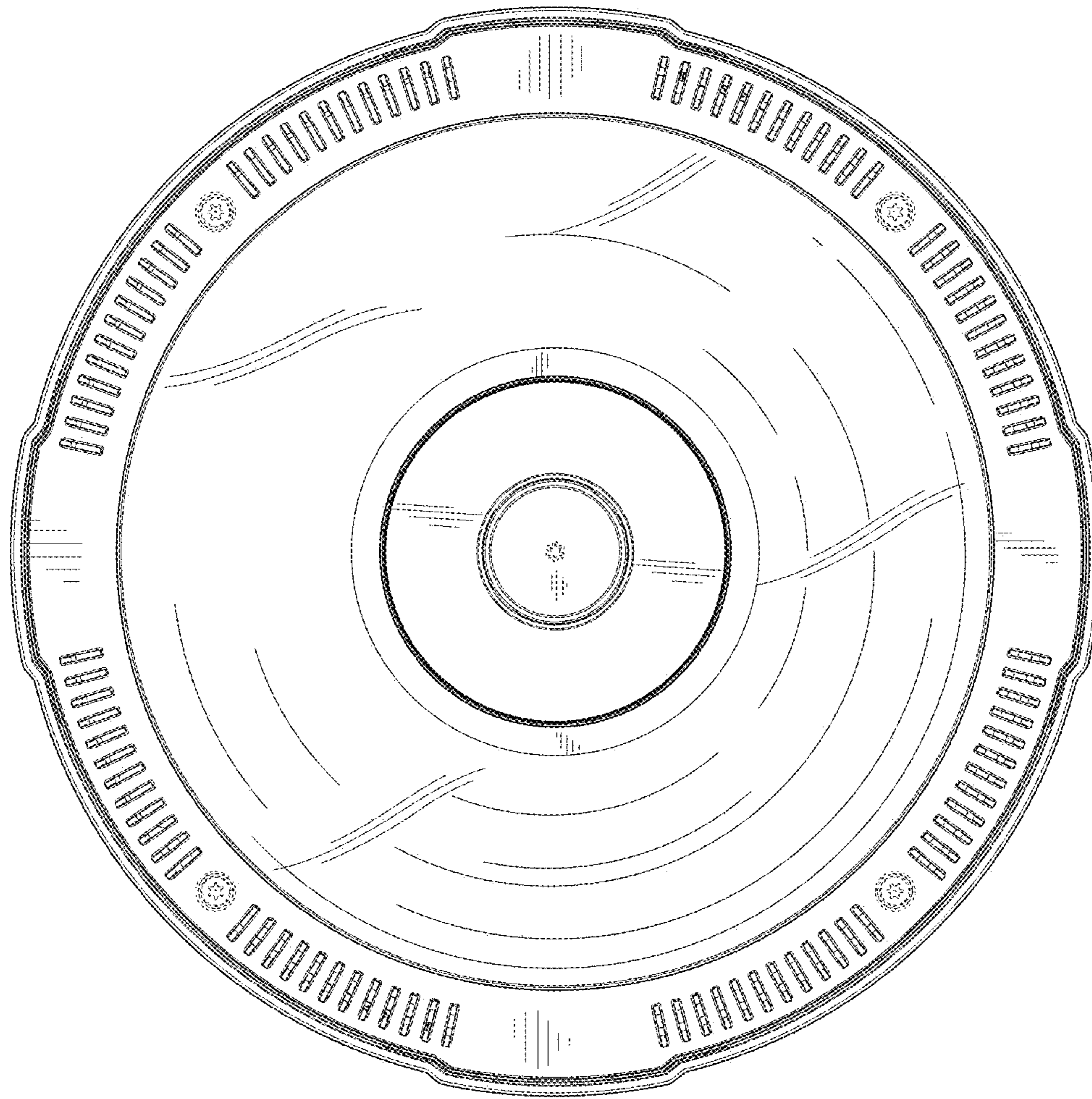


Fig. 2

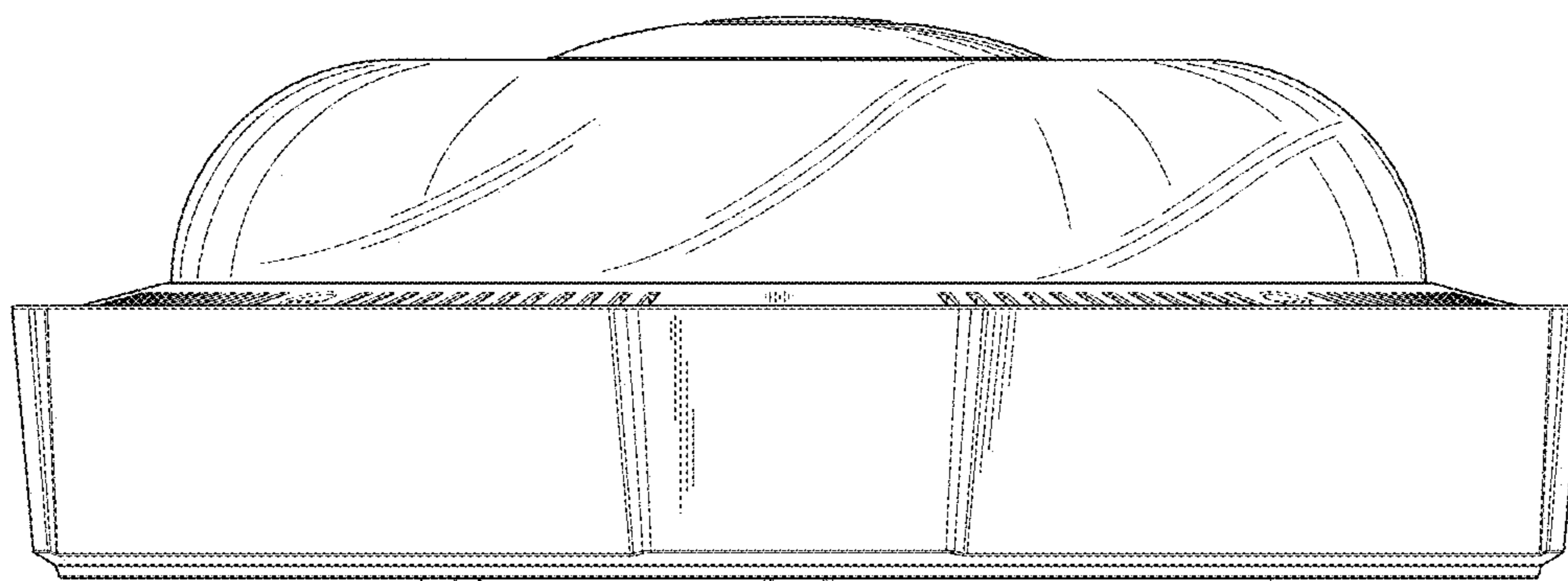


Fig. 3

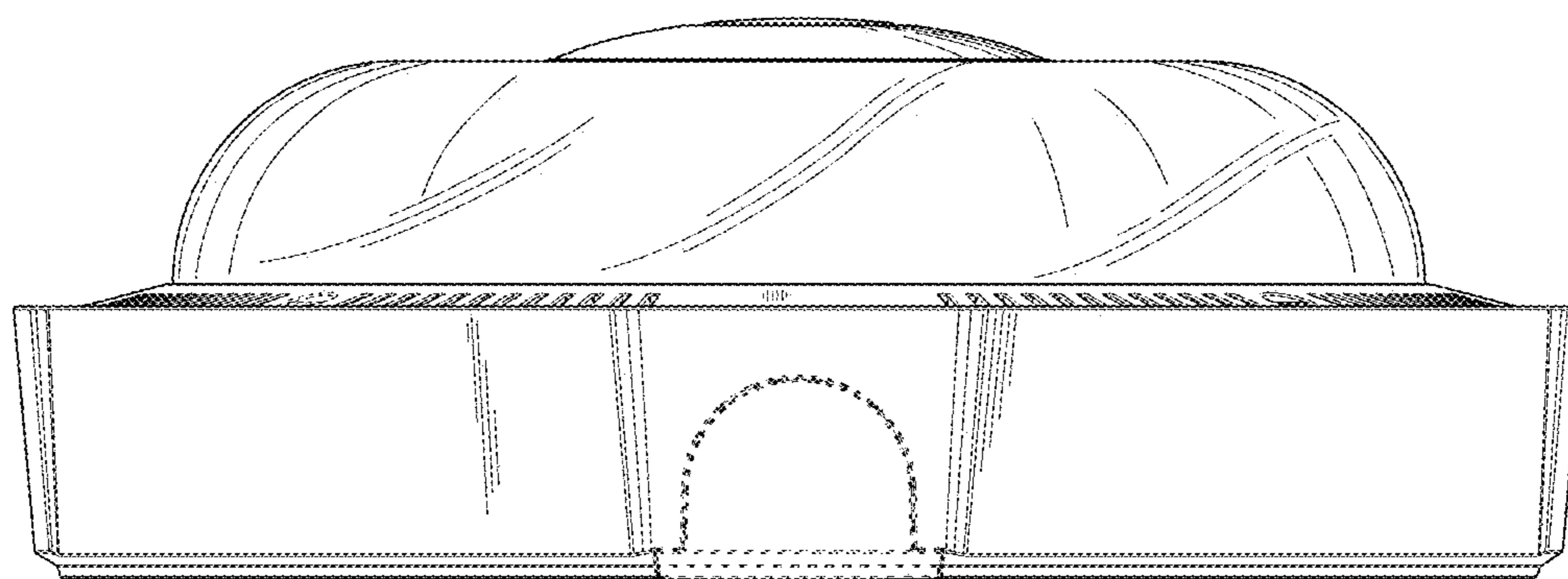


Fig. 4

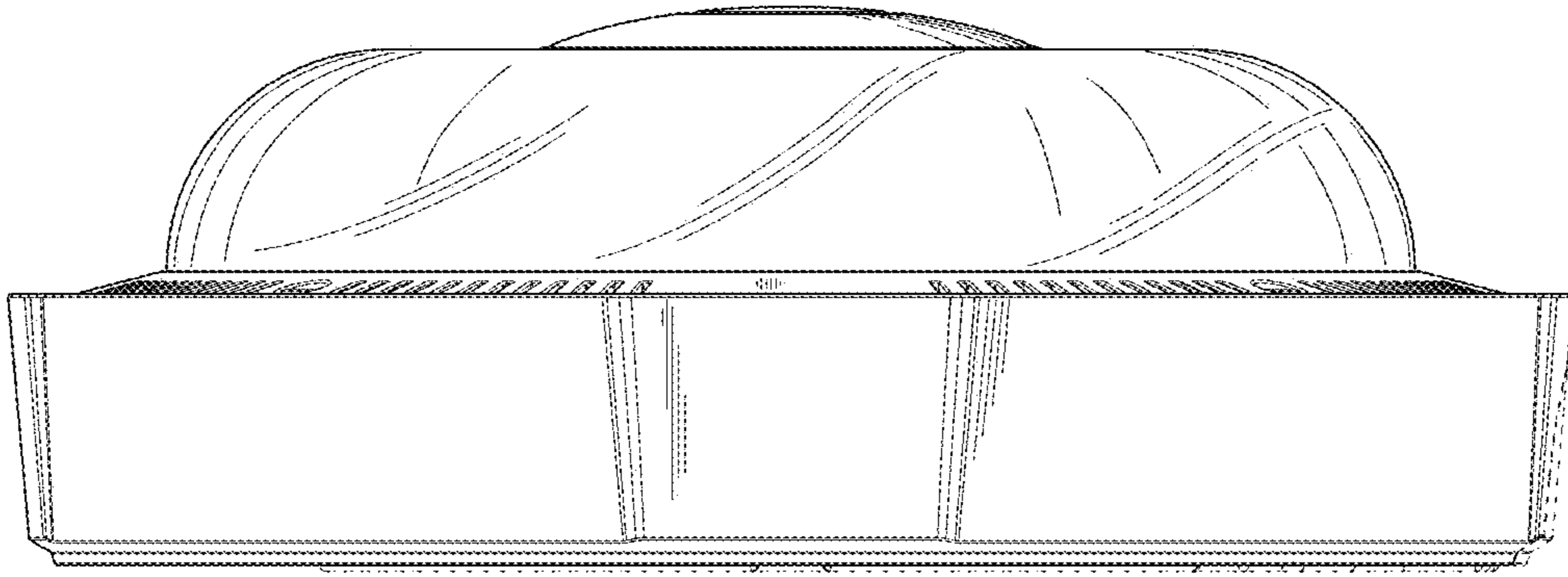


Fig. 5

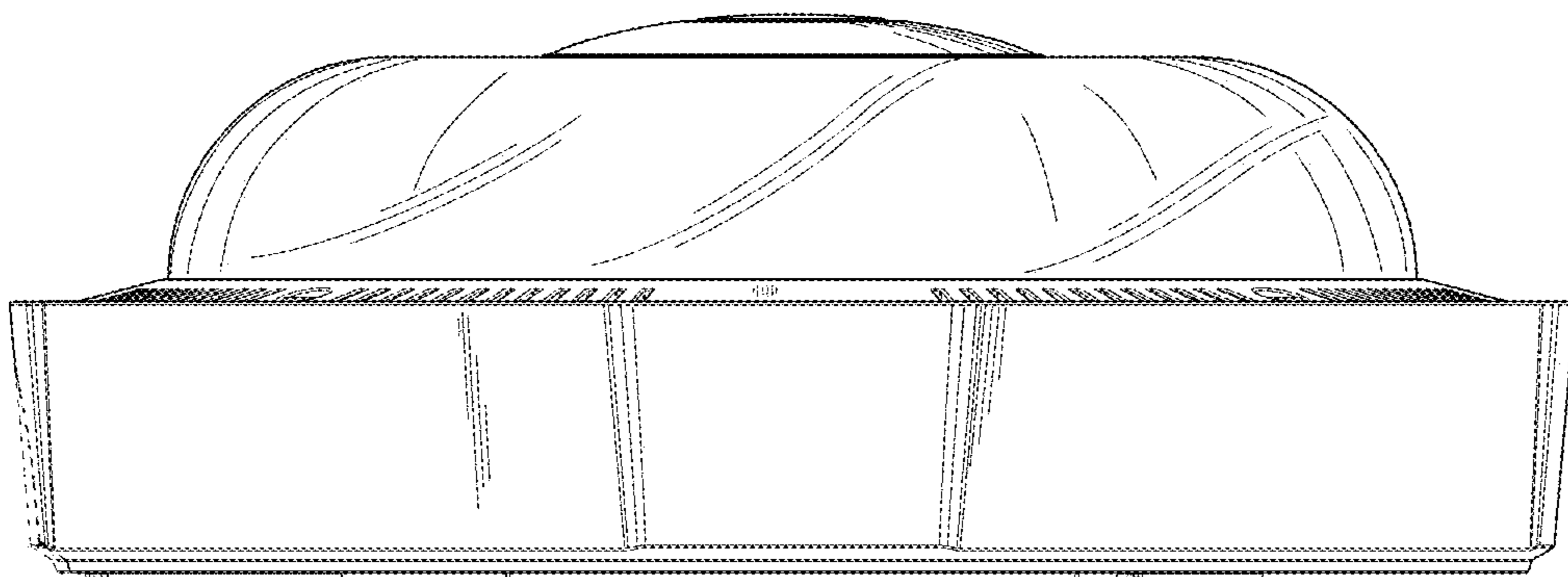


Fig. 6

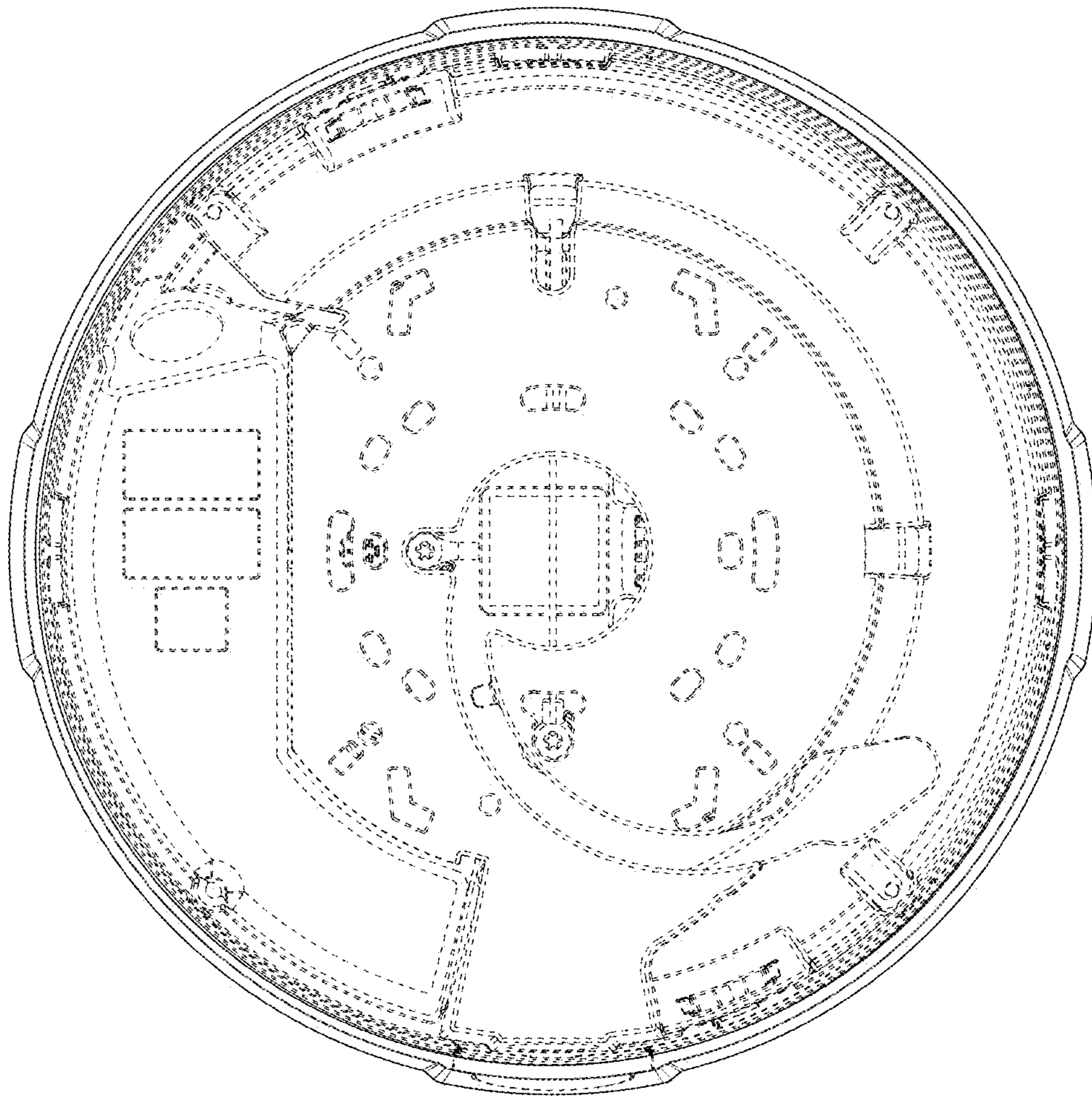


Fig. 7