



US00D873879S

(12) **United States Design Patent** (10) **Patent No.:** **US D873,879 S**
Tawaratsumida et al. (45) **Date of Patent:** **** Jan. 28, 2020**

(54) LENS FOR INFRARED RADIATION SENSOR	D182,079 S * 2/1958 Macomber D16/134
	4,726,670 A * 2/1988 Sherrard E06B 7/30
	359/400
(71) Applicant: Panasonic Intellectual Property Management Co., Ltd., Osaka (JP)	D344,968 S * 3/1994 Dowd D16/137
	D396,240 S * 7/1998 Hasegawa D16/134
(72) Inventors: Sukoya Tawaratsumida, Mie (JP); Ryo Taniguchi, Shiga (JP); Takahiro Sono, Mie (JP); Tomohiro Kamitsu, Hyogo (JP)	D489,746 S * 5/2004 Ogura D16/202
	D572,291 S * 7/2008 Aiba D16/134
	D619,633 S * 7/2010 Chen D16/101
	D797,833 S * 9/2017 Litovchenko D16/134
	D803,918 S * 11/2017 Kameda D16/134
	D804,557 S * 12/2017 Kameda D16/134
(73) Assignee: Panasonic Intellectual Property Management Co., Ltd., Osaka (JP)	D813,286 S * 3/2018 Sedazzari D16/134
	D857,081 S * 8/2019 Kuwabara D16/237

(**) Term: **15 Years**

(21) Appl. No.: **29/624,688**

(22) Filed: **Nov. 2, 2017**

(30) **Foreign Application Priority Data**

May 8, 2017 (JP) 2017-009768

(51) **LOC (12) Cl.** **16-06**

(52) **U.S. Cl.**

USPC **D16/134**

(58) **Field of Classification Search**

USPC D16/101, 200, 213, 216, 217, 218, 219, D16/220, 134, 135, 136

CPC G02B 23/00; G02B 23/02; G02B 23/12; G02B 23/16

See application file for complete search history.

(56) **References Cited**

U.S. PATENT DOCUMENTS

2,442,564 A * 6/1948 Heyer G02B 17/02 359/506

D178,909 S * 10/1956 Wittel et al. D16/134

FOREIGN PATENT DOCUMENTS

JP D1459510 1/2013

* cited by examiner

Primary Examiner — Holly E Thurman

(74) *Attorney, Agent, or Firm* — Panasonic IP Management; Kerry S. Culpepper

(57) **CLAIM**

We claim the ornamental design for a lens for infrared radiation sensor, as shown and described.

DESCRIPTION

FIG. 1 is a front perspective view of a lens for infrared radiation sensor of the present invention;

FIG. 2 is a front view thereof;

FIG. 3 is a rear view thereof;

FIG. 4 is a first side view thereof;

FIG. 5 is a second side view thereof;

FIG. 6 is a top view thereof; and,

FIG. 7 is a bottom view thereof.

1 Claim, 7 Drawing Sheets

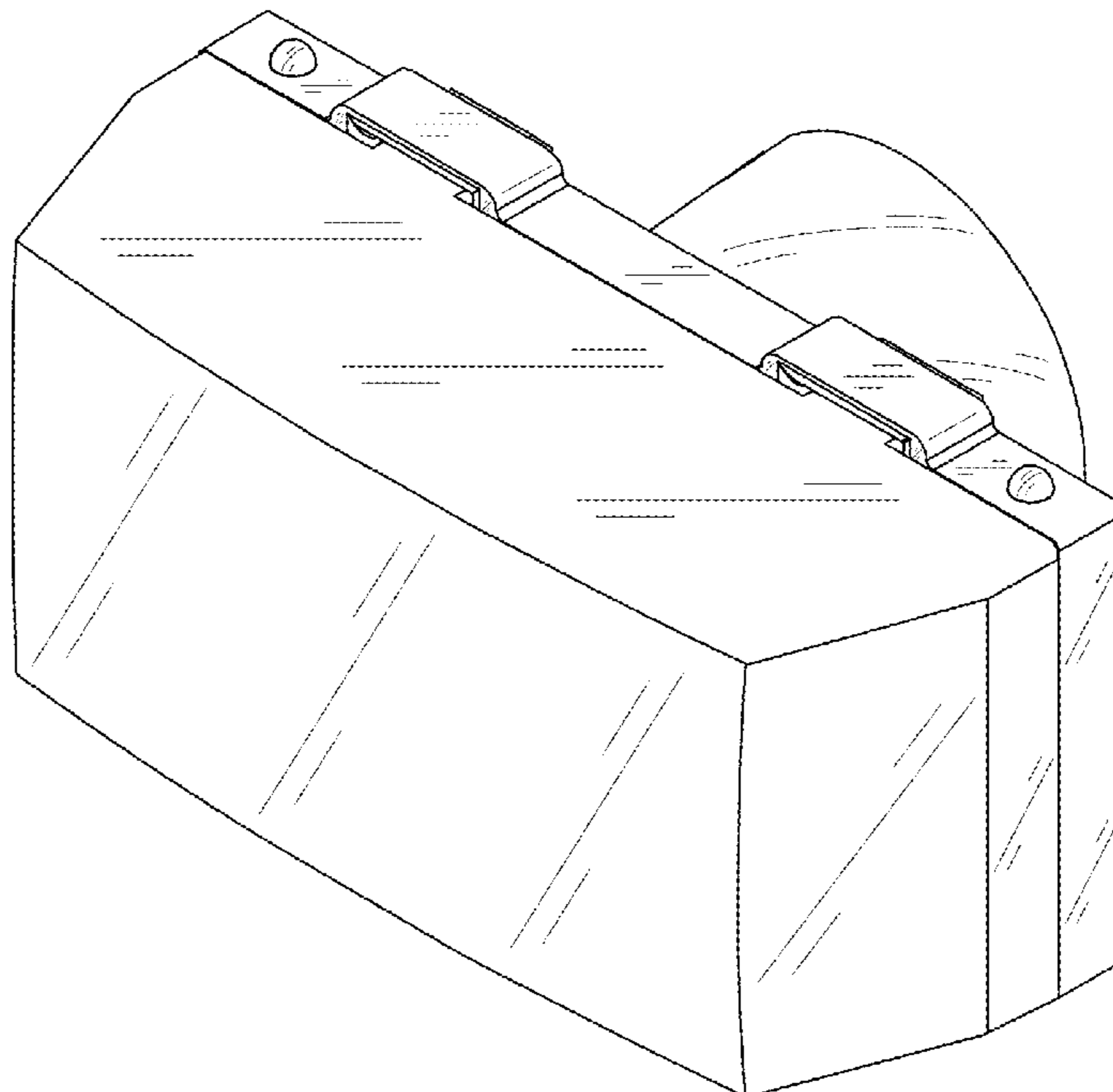


FIG. 1

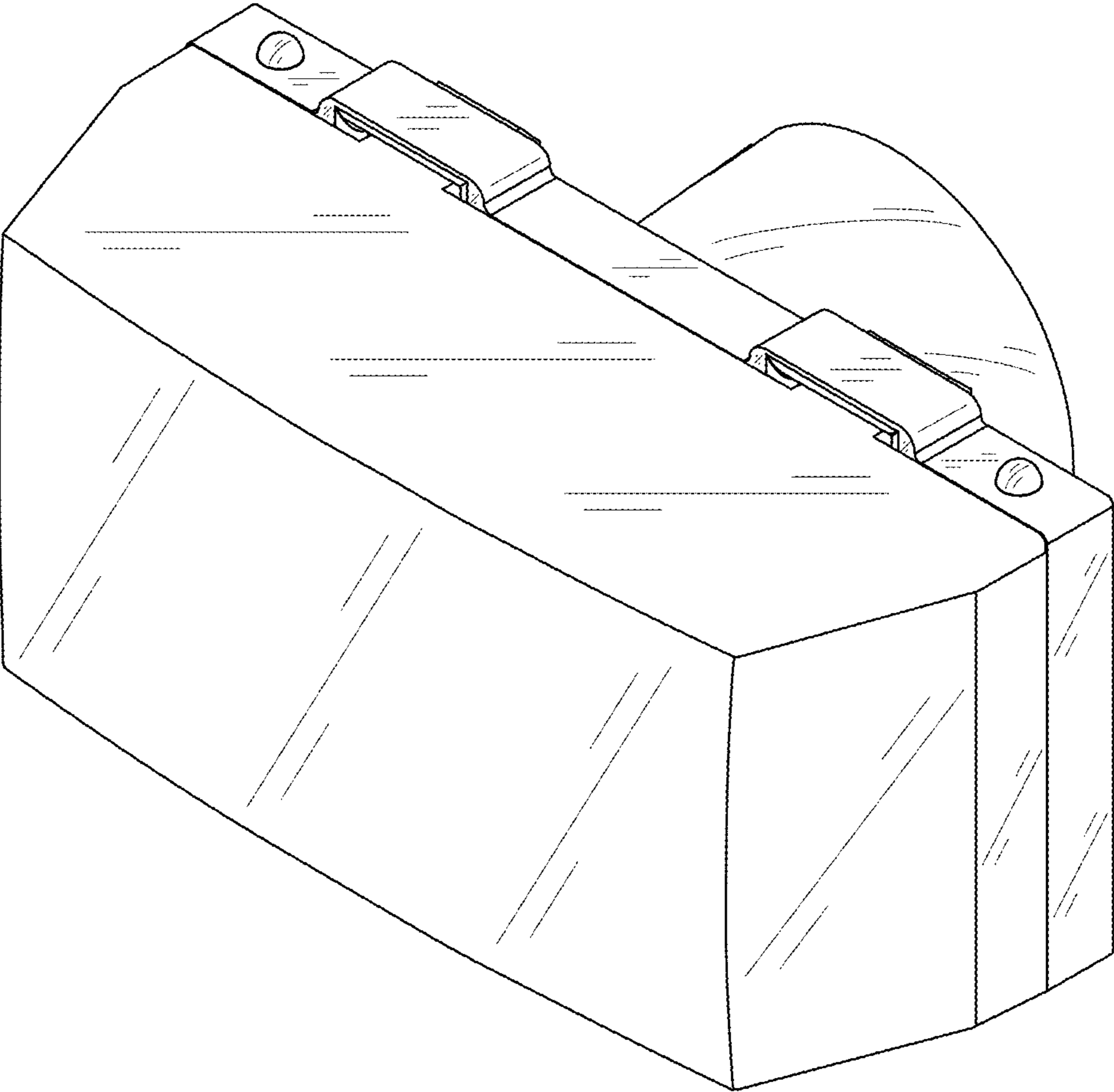


FIG. 2

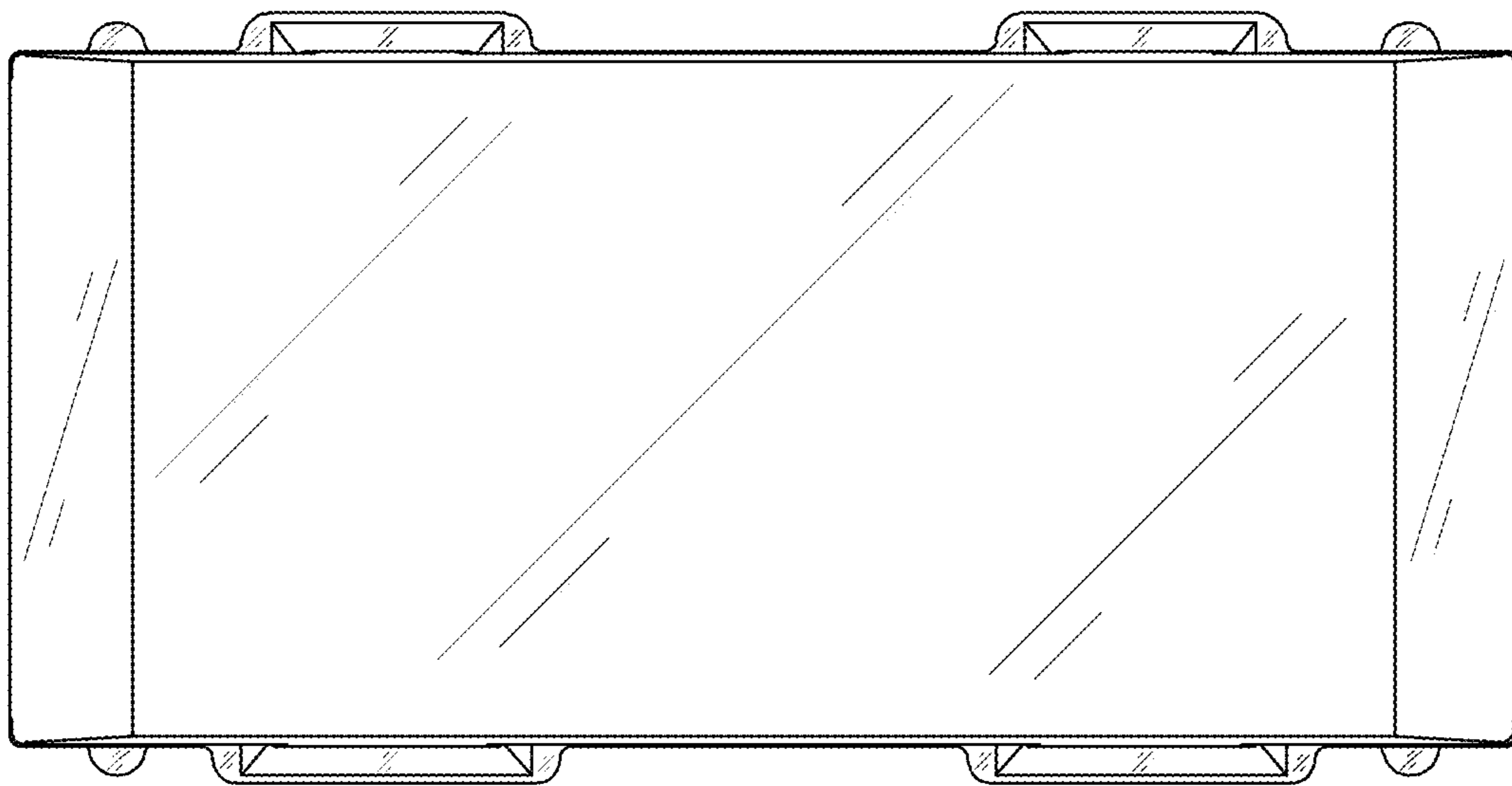


FIG. 3

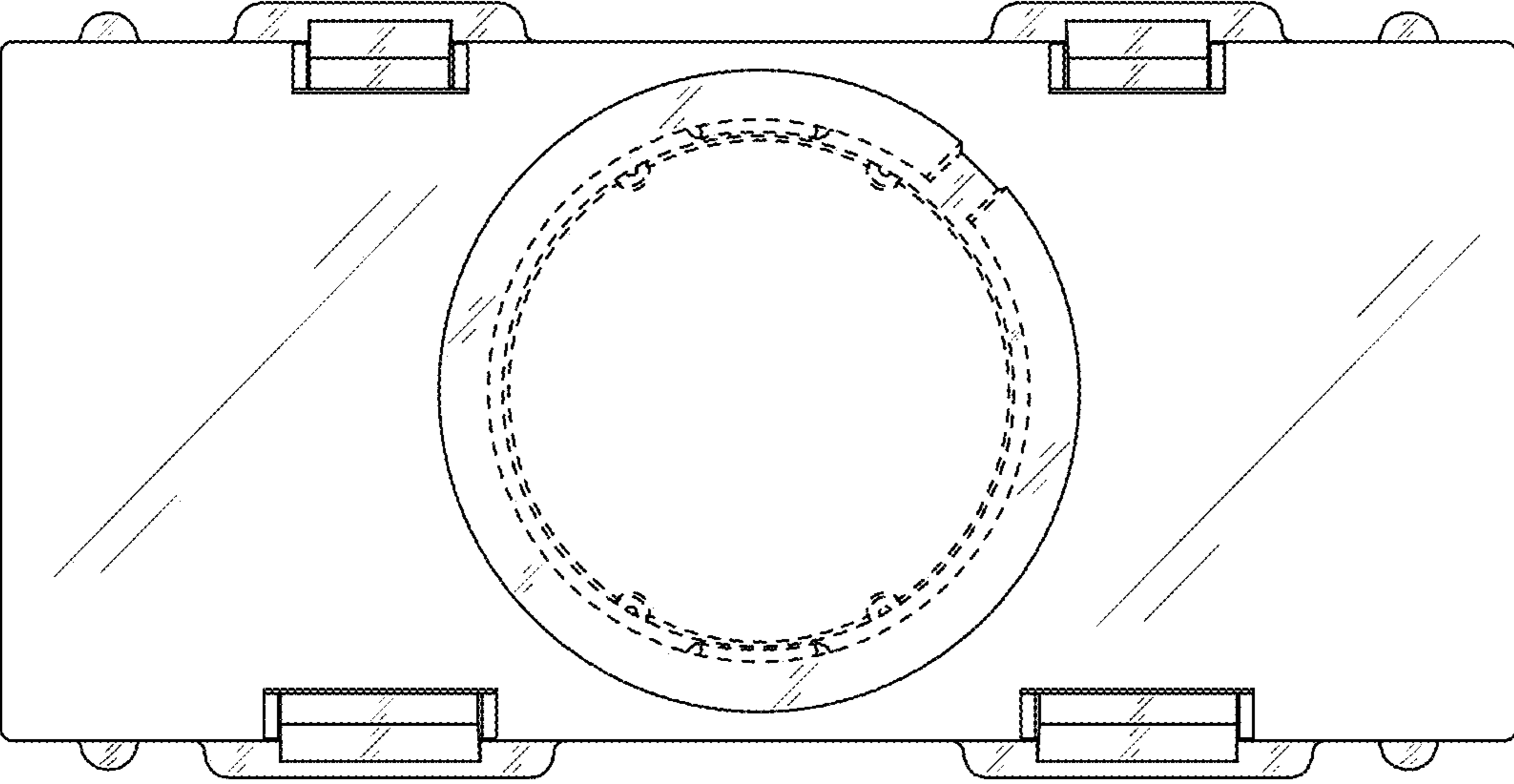


FIG. 4

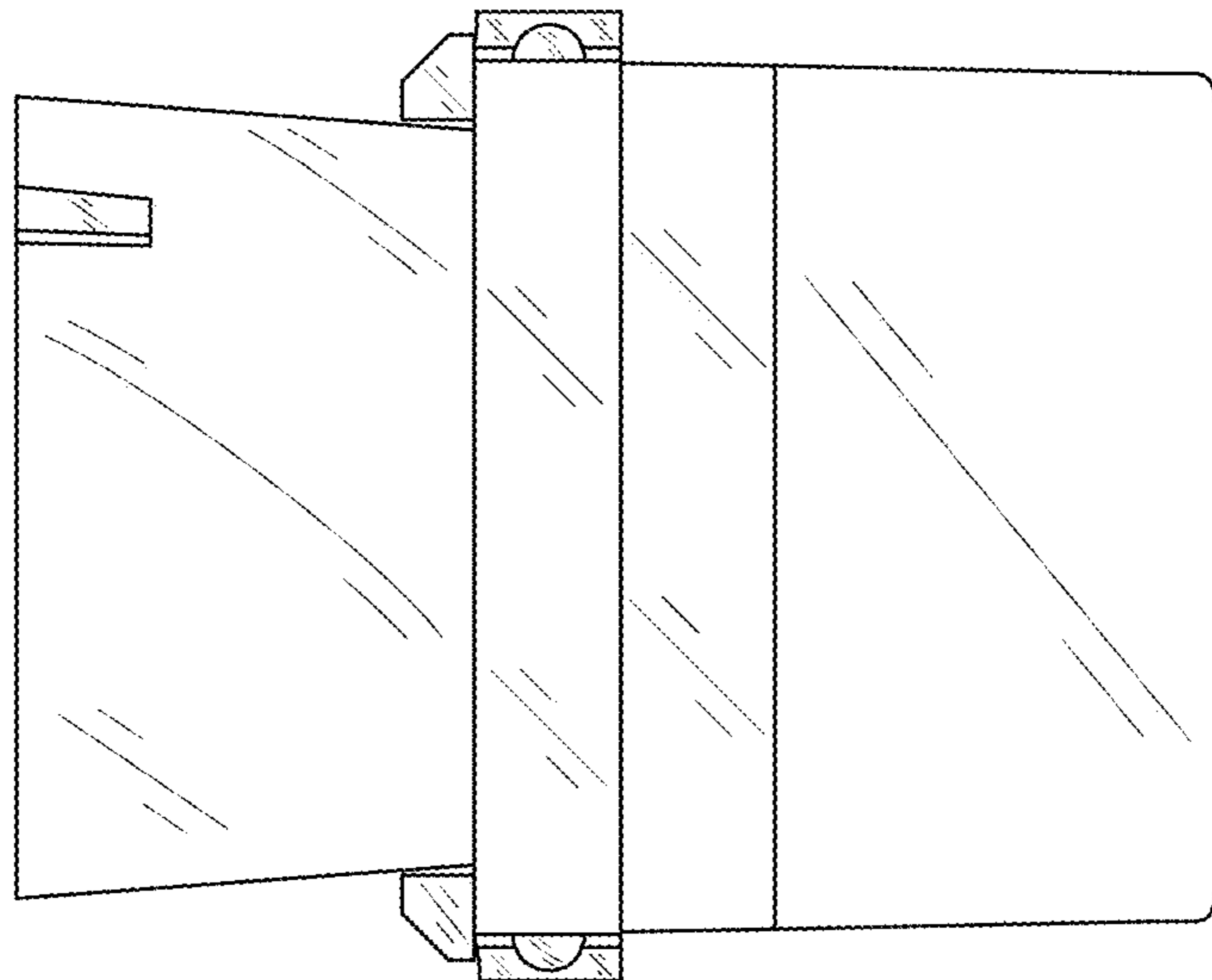


FIG. 5

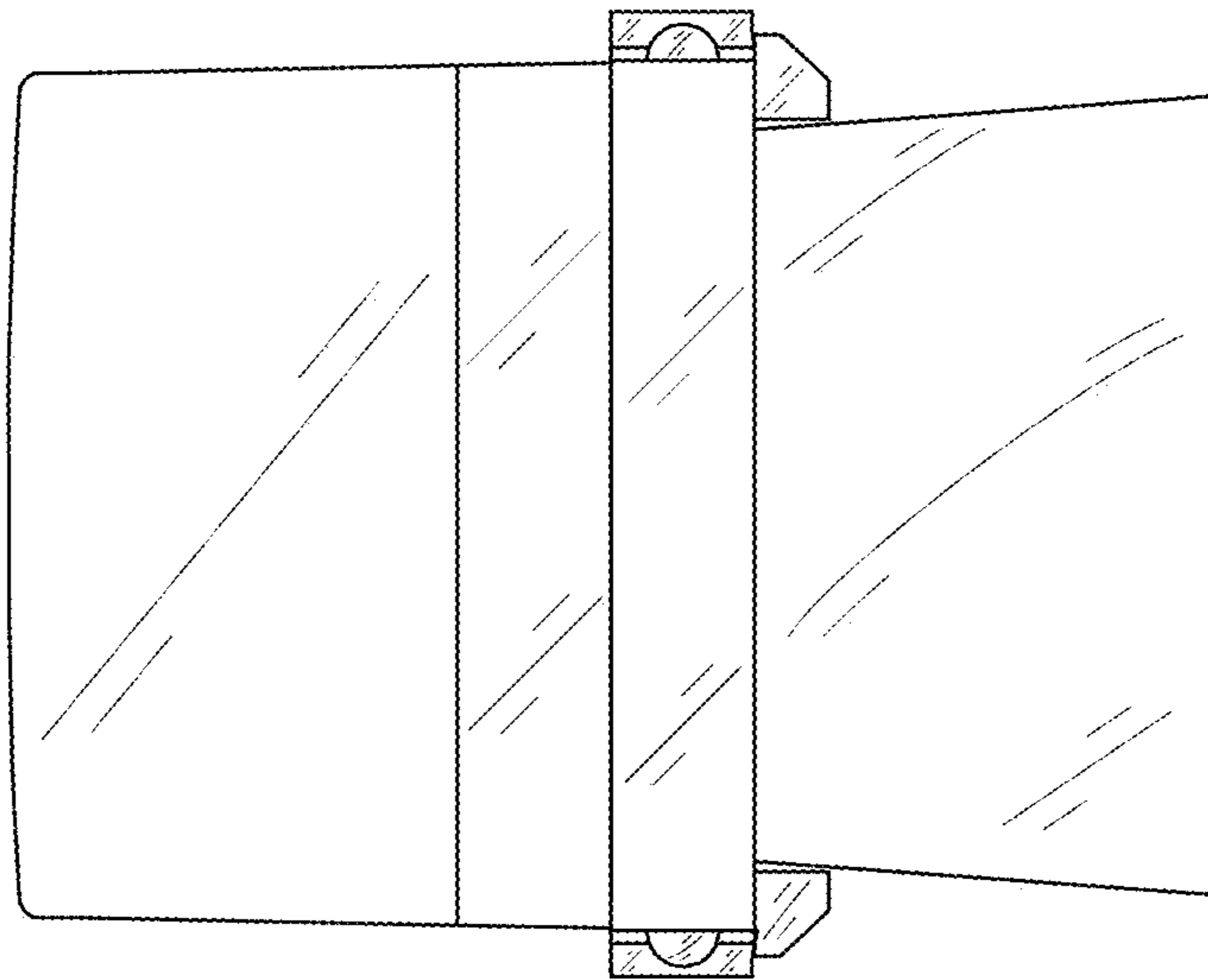


FIG. 6

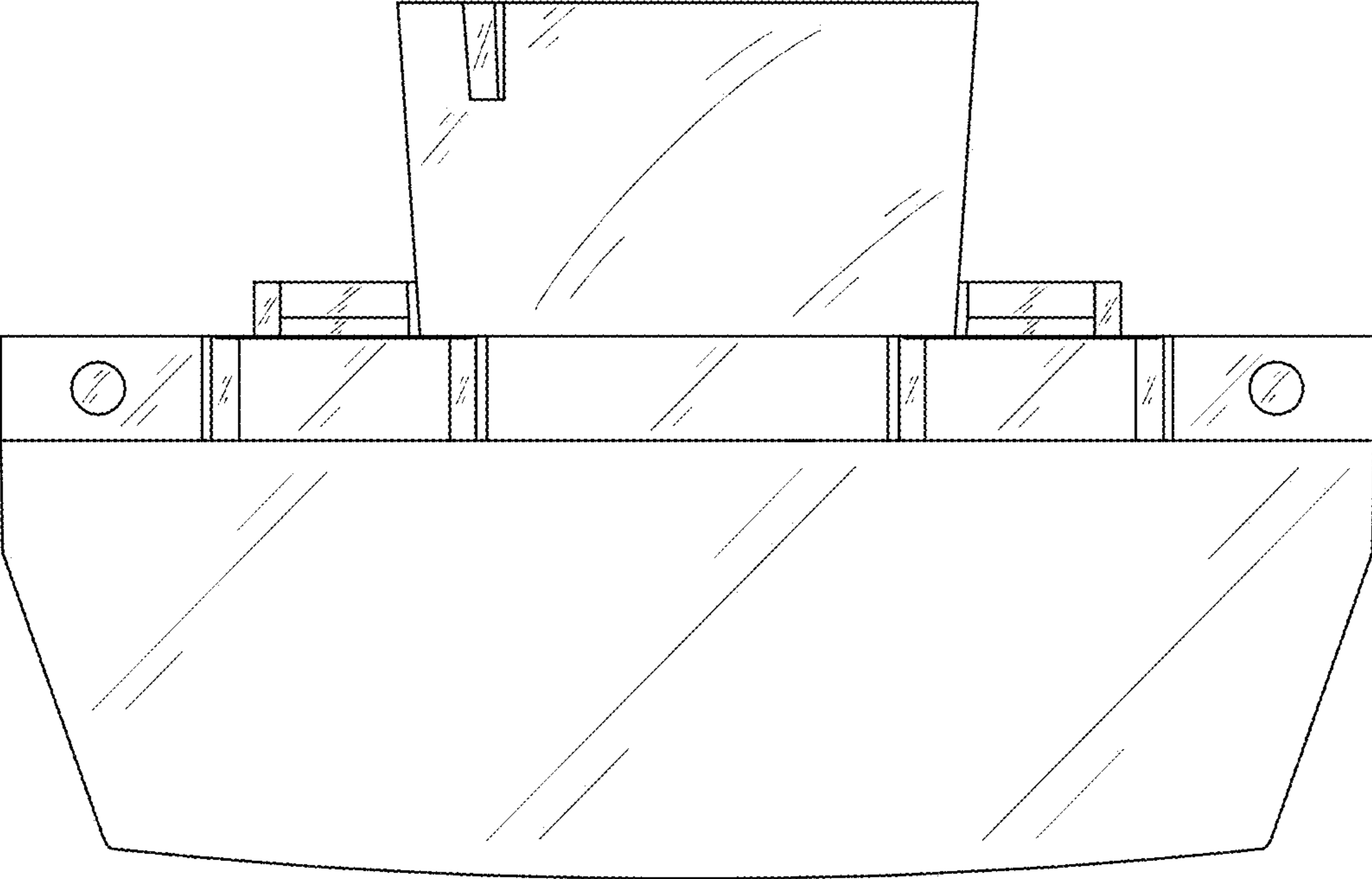


FIG. 7

