



US00D873878S

(12) **United States Design Patent**
Vazquez

(10) **Patent No.:** **US D873,878 S**
(45) **Date of Patent:** **** Jan. 28, 2020**

- (54) **ROBOTIC ARM**
- (71) Applicant: **Auris Health, Inc.**, Redwood City, CA (US)
- (72) Inventor: **Frankie Vazquez**, San Francisco, CA (US)
- (73) Assignee: **AURIS HEALTH, INC.**, Redwood City, CA (US)

9,788,910 B2 10/2017 Schuh
 D802,041 S * 11/2017 He D15/199
 9,818,681 B2 11/2017 Machida
 9,844,412 B2 12/2017 Bogusky et al.
 9,867,635 B2 1/2018 Alvarez et al.

(Continued)

Primary Examiner — Patricia A Palasik
 (74) *Attorney, Agent, or Firm* — Knobbe Martens Olson & Bear LLP

(**) Term: **15 Years**

(57) **CLAIM**

(21) Appl. No.: **29/634,027**

The ornamental design for a robotic arm, as shown and described.

(22) Filed: **Jan. 17, 2018**

DESCRIPTION

(51) **LOC (12) Cl.** **15-99**

(52) **U.S. Cl.**
USPC **D15/199**

(58) **Field of Classification Search**
 USPC D12/177; D15/122, 199; D21/578–583,
 D21/621, 622
 CPC B25J 15/00; B25J 19/06; B25J 19/0075;
 B25J 19/0091
 See application file for complete search history.

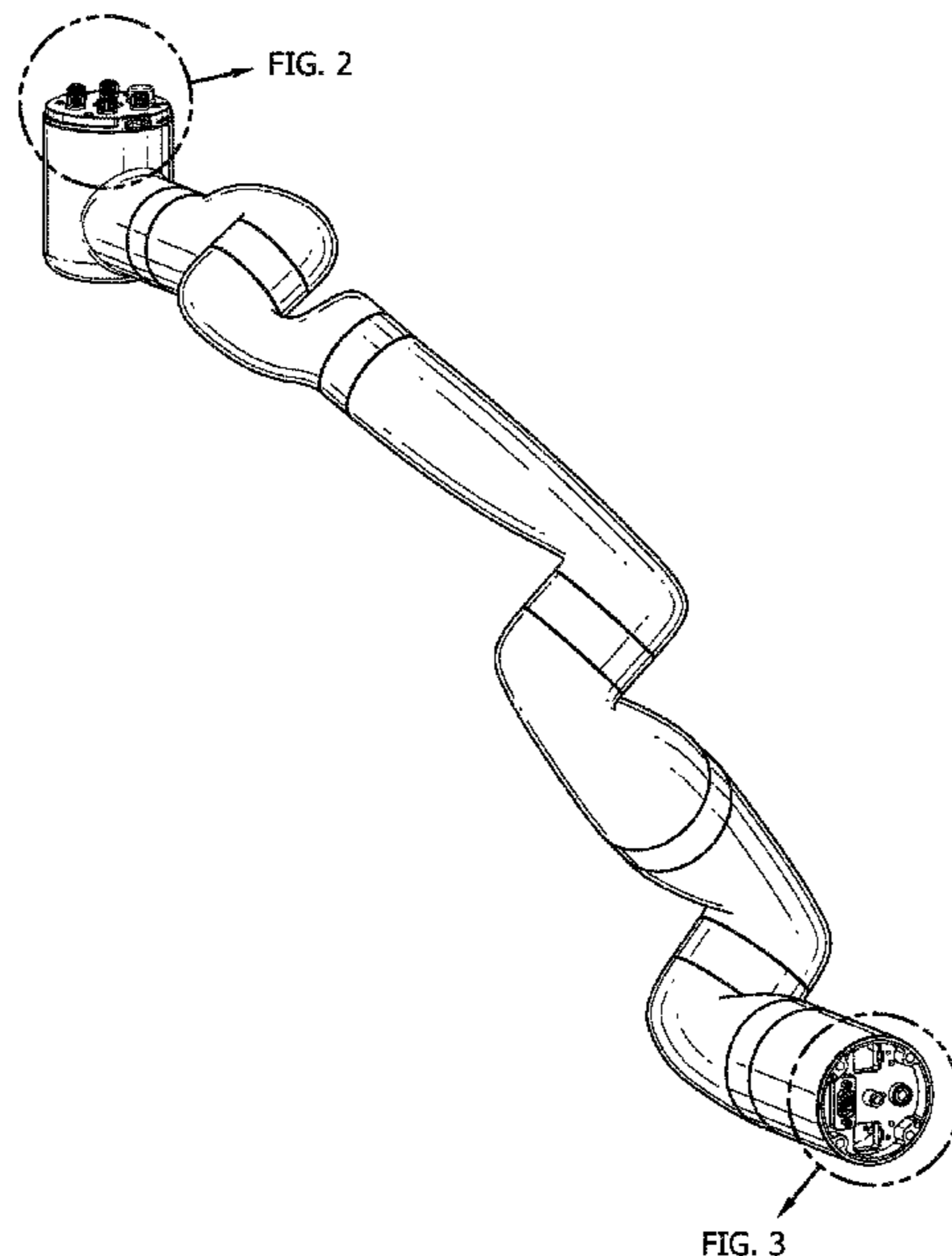
FIG. 1 is a top, front, right perspective view of a robotic arm;
 FIG. 2 is an enlarged view of portion 2 encircled in FIG. 1;
 FIG. 3 is an enlarged view of portion 3 encircled in FIG. 1;
 FIG. 4 is a right-side view of the robotic arm;
 FIG. 5 is an enlarged view of portion 5 encircled in FIG. 4;
 FIG. 6 is a left-side view of the robotic arm;
 FIG. 7 is an enlarged view of portion 7 encircled in FIG. 6;
 FIG. 8 is a rear view of the robotic arm;
 FIG. 9 is an enlarged view of portion 9 encircled in FIG. 8;
 FIG. 10 is a front view of the first embodiment;
 FIG. 11 is an enlarged view of portion 11 encircled in FIG. 10;
 FIG. 12 is an enlarged view of portion 12 encircled in FIG. 10;
 FIG. 13 is a top plan view of the first embodiment;
 FIG. 14 is an enlarged view of portion 14 encircled in FIG. 13; and,
 FIG. 15 is a bottom plan view of the robotic arm.
 The broken lines illustrate portions of the robotic arm and form no part of the claimed subject matter.

(56) **References Cited**

U.S. PATENT DOCUMENTS

D650,820 S *	12/2011	Long	D15/199
D766,348 S *	9/2016	Long	D15/199
D769,343 S *	10/2016	Bordegnoni	D15/199
9,561,083 B2	2/2017	Yu et al.		
9,622,827 B2	4/2017	Yu et al.		
9,636,184 B2	5/2017	Lee et al.		
9,713,509 B2	7/2017	Schuh et al.		
9,727,963 B2	8/2017	Mintz et al.		
9,737,371 B2	8/2017	Romo et al.		
9,737,373 B2	8/2017	Schuh		
9,744,335 B2	8/2017	Jiang		
9,763,741 B2	9/2017	Alvarez et al.		

1 Claim, 9 Drawing Sheets



(56)

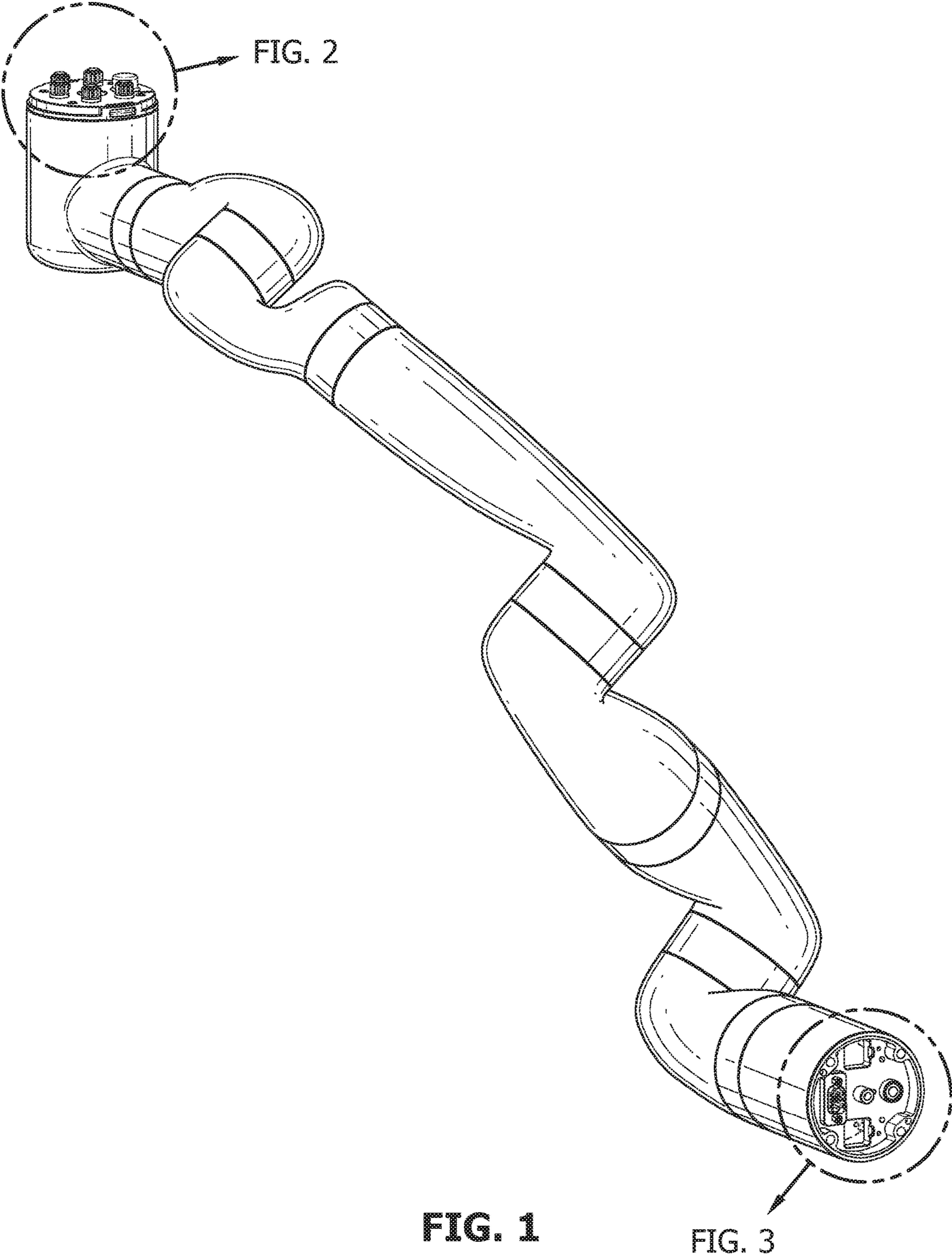
References Cited

U.S. PATENT DOCUMENTS

9,931,025 B1 4/2018 Graetzel et al.
 9,949,749 B2 4/2018 Noonan et al.
 9,955,986 B2 5/2018 Shah
 9,962,228 B2 5/2018 Schuh et al.
 9,980,785 B2 5/2018 Schuh
 9,993,313 B2 6/2018 Schuh et al.
 10,016,900 B1 7/2018 Meyer et al.
 10,022,192 B1 7/2018 Ummalaneni
 D839,941 S * 2/2019 Gao D15/199
 2010/0145510 A1 * 6/2010 Ihrke B25J 17/0241
 700/245
 2014/0142591 A1 5/2014 Alvarez et al.
 2014/0207279 A1 * 7/2014 Miyauchi B25J 13/084
 700/253
 2014/0309649 A1 10/2014 Alvarez et al.
 2014/0357984 A1 12/2014 Wallace et al.
 2014/0364870 A1 12/2014 Alvarez et al.
 2014/0379000 A1 12/2014 Romo et al.
 2015/0051592 A1 2/2015 Kintz
 2015/0101442 A1 4/2015 Romo
 2015/0119638 A1 4/2015 Yu et al.
 2015/0133960 A1 * 5/2015 Lohmeier A61B 34/30
 606/130
 2015/0164594 A1 6/2015 Romo et al.
 2015/0164596 A1 6/2015 Romo
 2015/0335480 A1 11/2015 Alvarez et al.
 2016/0001038 A1 1/2016 Romo et al.

2016/0270865 A1 9/2016 Landey et al.
 2016/0287279 A1 10/2016 Bovay et al.
 2016/0296294 A1 10/2016 Moll et al.
 2016/0374541 A1 12/2016 Agrawal et al.
 2017/0007337 A1 1/2017 Dan
 2017/0100199 A1 4/2017 Yu et al.
 2017/0119413 A1 5/2017 Romo
 2017/0119481 A1 5/2017 Romo et al.
 2017/0165011 A1 6/2017 Bovay et al.
 2017/0172673 A1 6/2017 Yu et al.
 2017/0202627 A1 7/2017 Sramek et al.
 2017/0209073 A1 7/2017 Sramek et al.
 2017/0290631 A1 10/2017 Lee et al.
 2017/0333679 A1 11/2017 Jiang
 2017/0340396 A1 11/2017 Romo et al.
 2017/0365055 A1 12/2017 Mintz et al.
 2017/0367782 A1 12/2017 Schuh et al.
 2018/0025666 A1 1/2018 Ho et al.
 2018/0177383 A1 6/2018 Noonan et al.
 2018/0177556 A1 6/2018 Noonan et al.
 2018/0177561 A1 6/2018 Mintz et al.
 2018/0207795 A1 * 7/2018 Haddadin B25J 9/0009
 2018/0214011 A1 8/2018 Graetzel et al.
 2018/0221038 A1 8/2018 Noonan et al.
 2018/0221039 A1 8/2018 Shah
 2018/0235724 A1 * 8/2018 Nowatschin B25J 1/02
 2018/0370026 A1 * 12/2018 Reese B25J 9/08
 2019/0047160 A1 * 2/2019 Weitschat B25J 15/00
 2019/0099901 A1 * 4/2019 Niu B25J 9/126

* cited by examiner



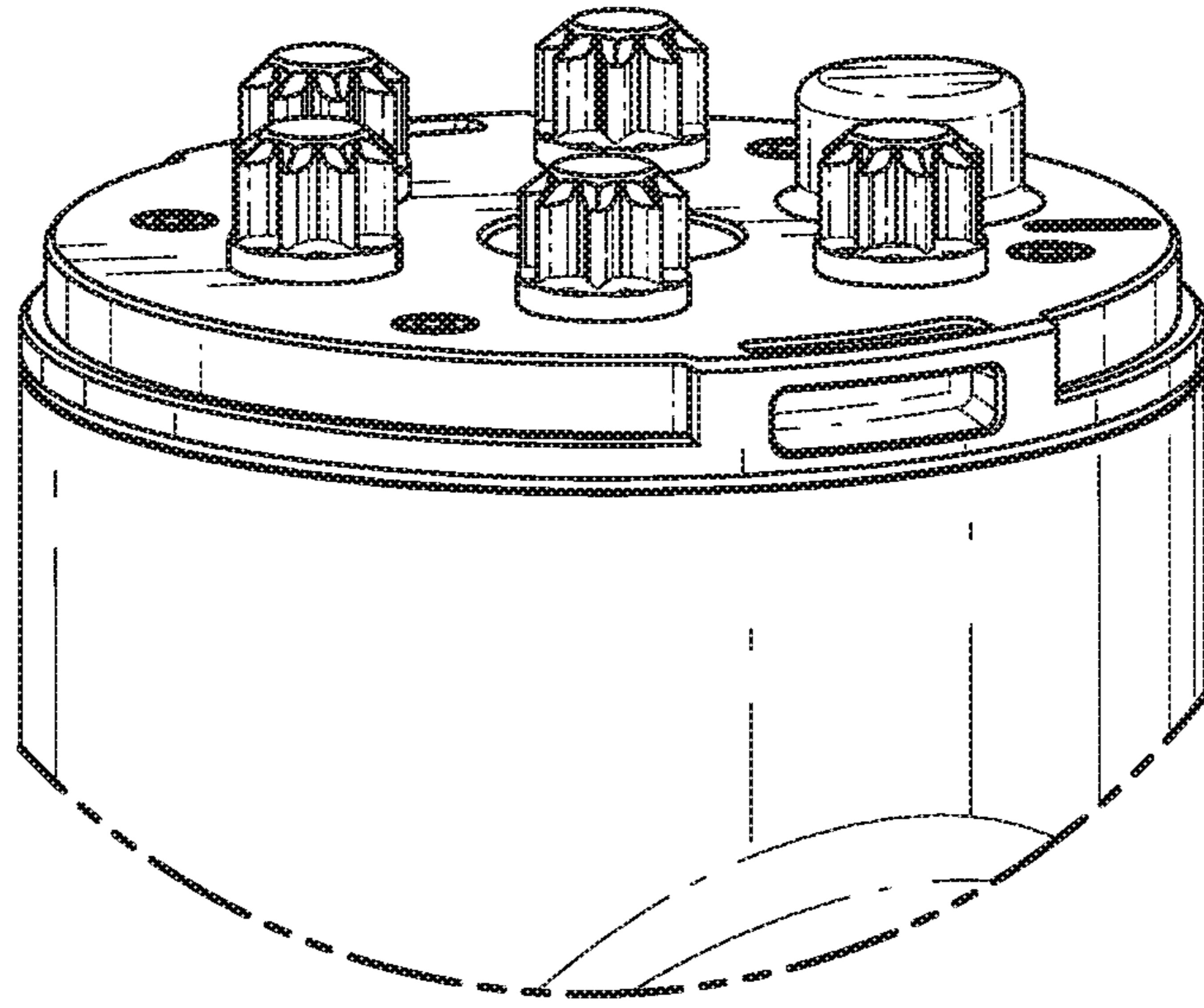


FIG. 2

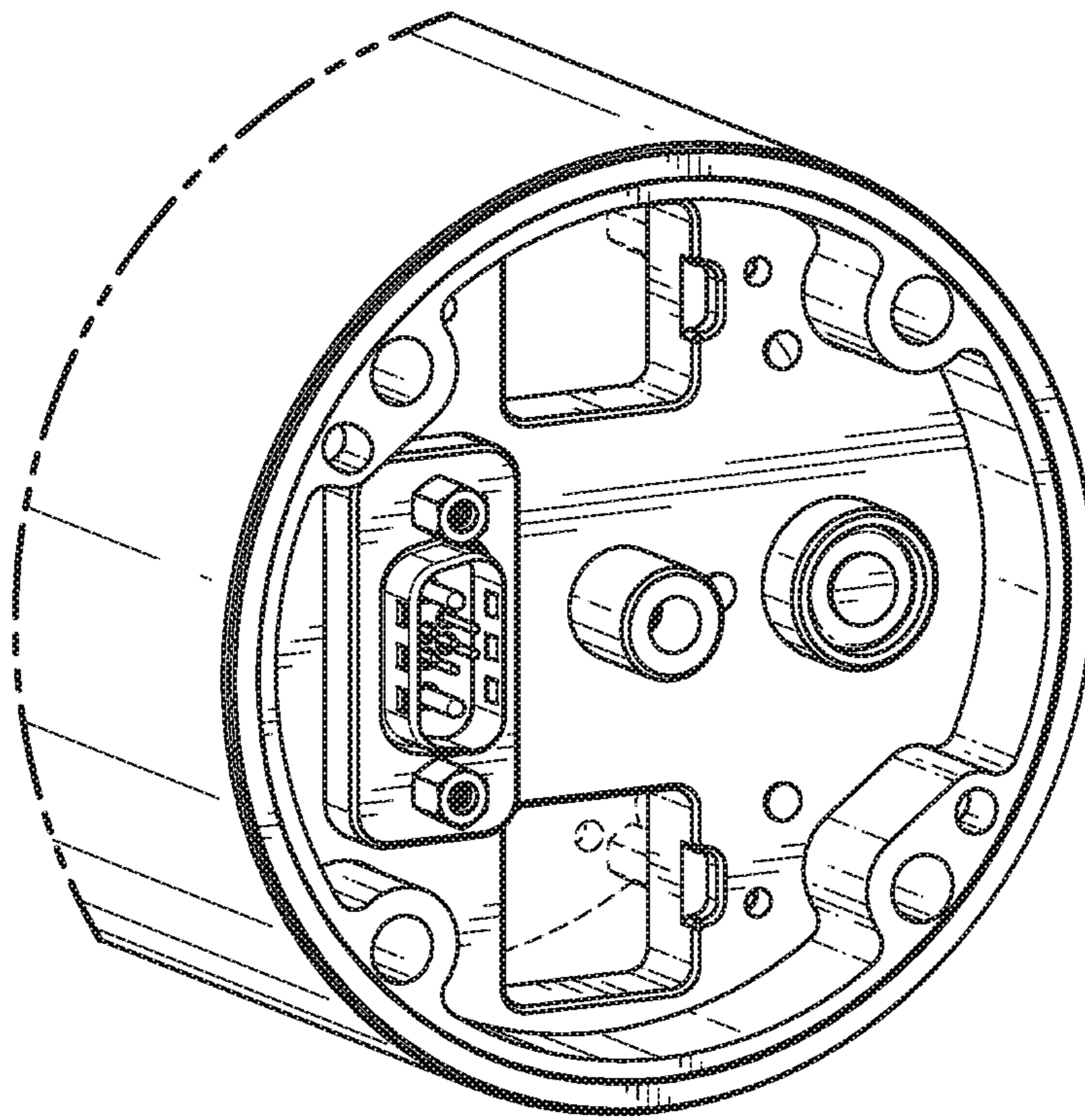
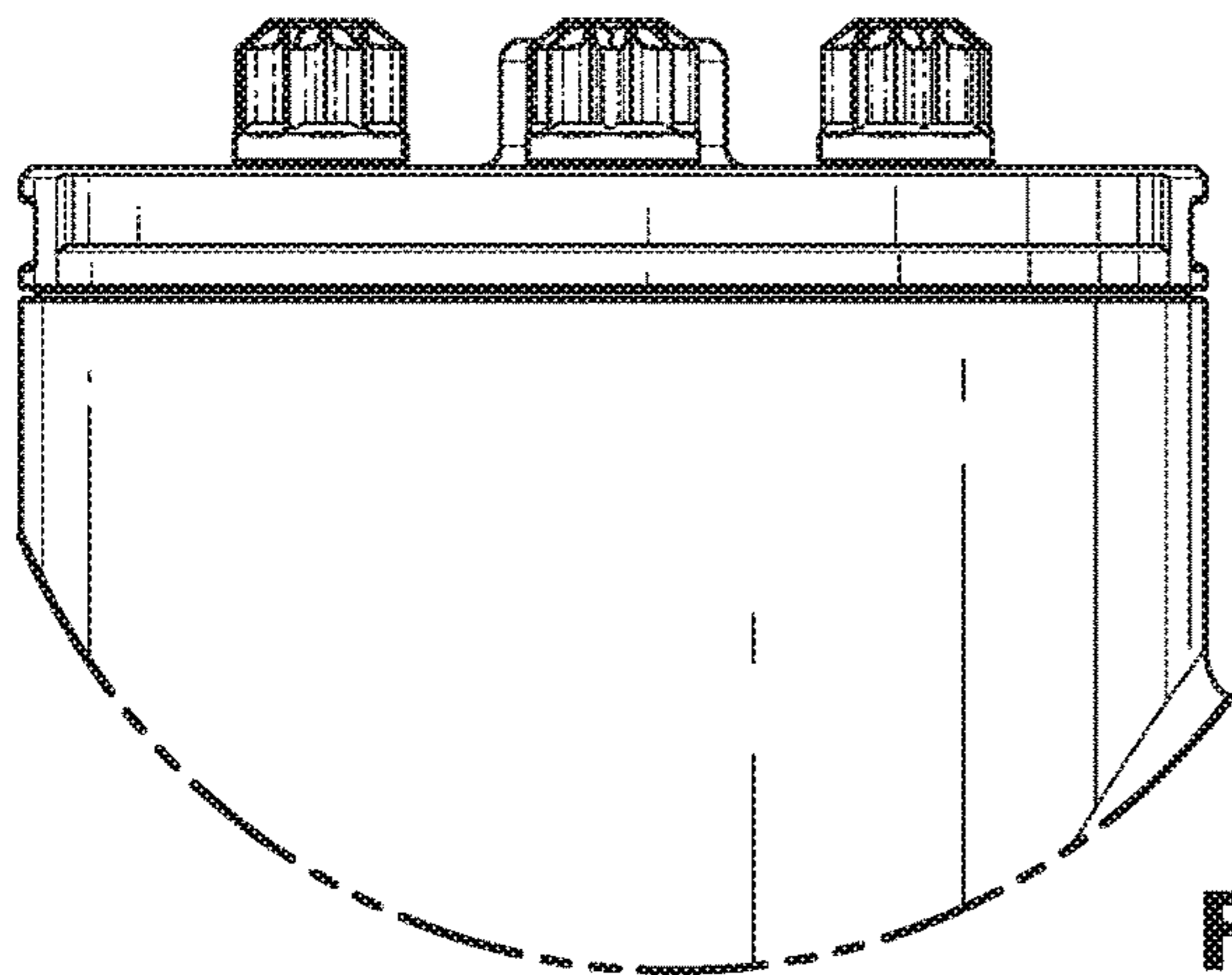
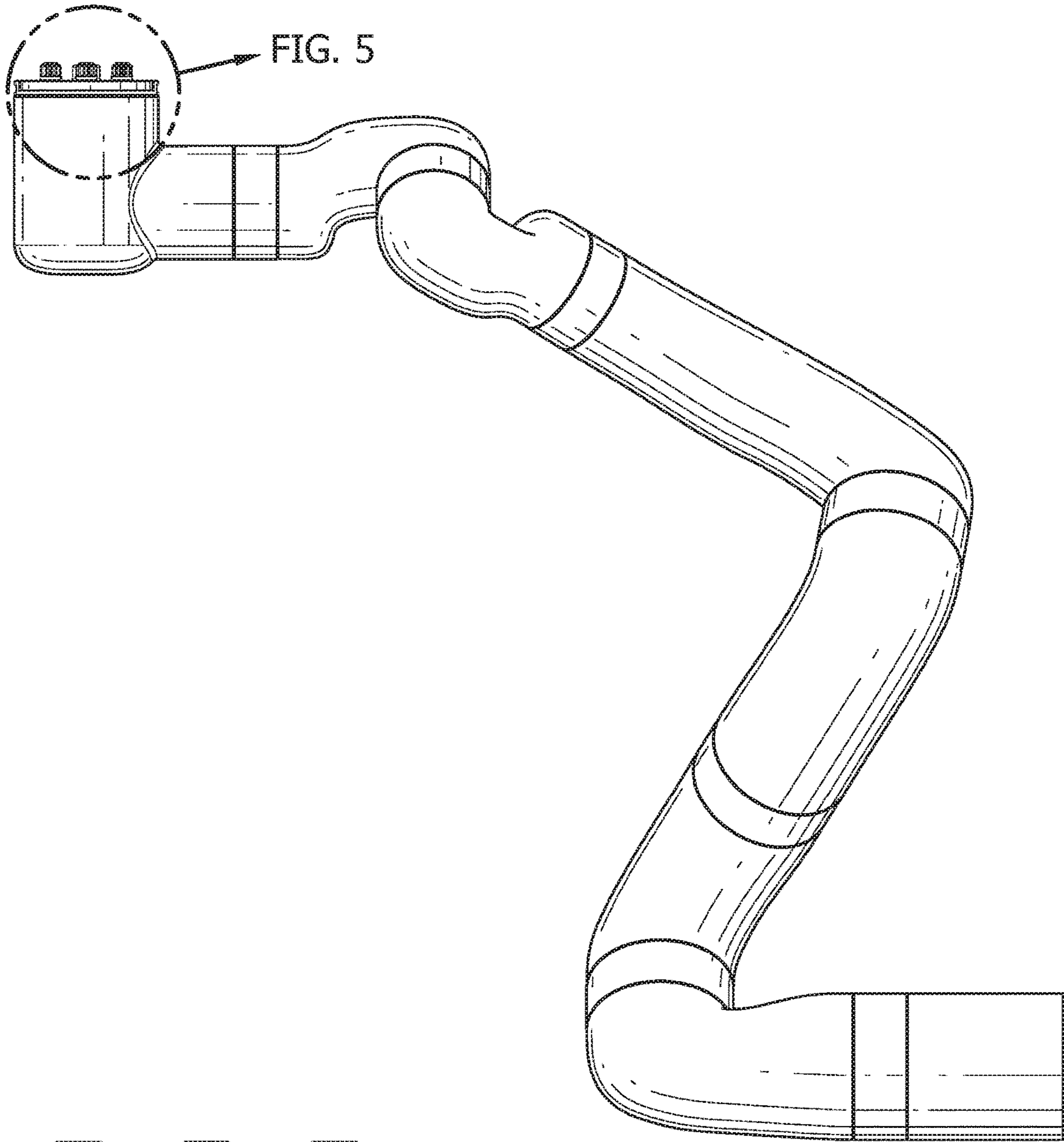


FIG. 3



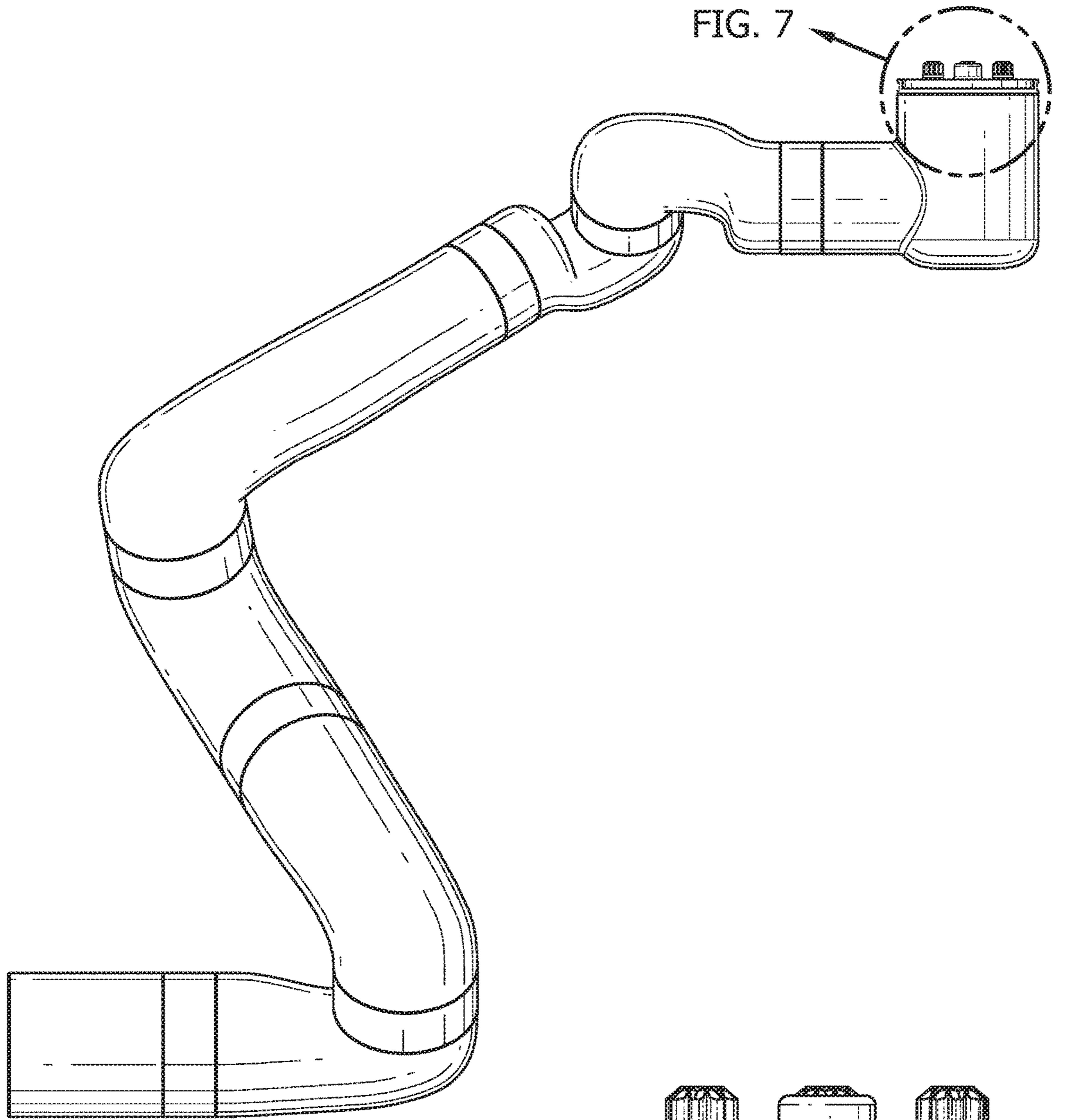


FIG. 6

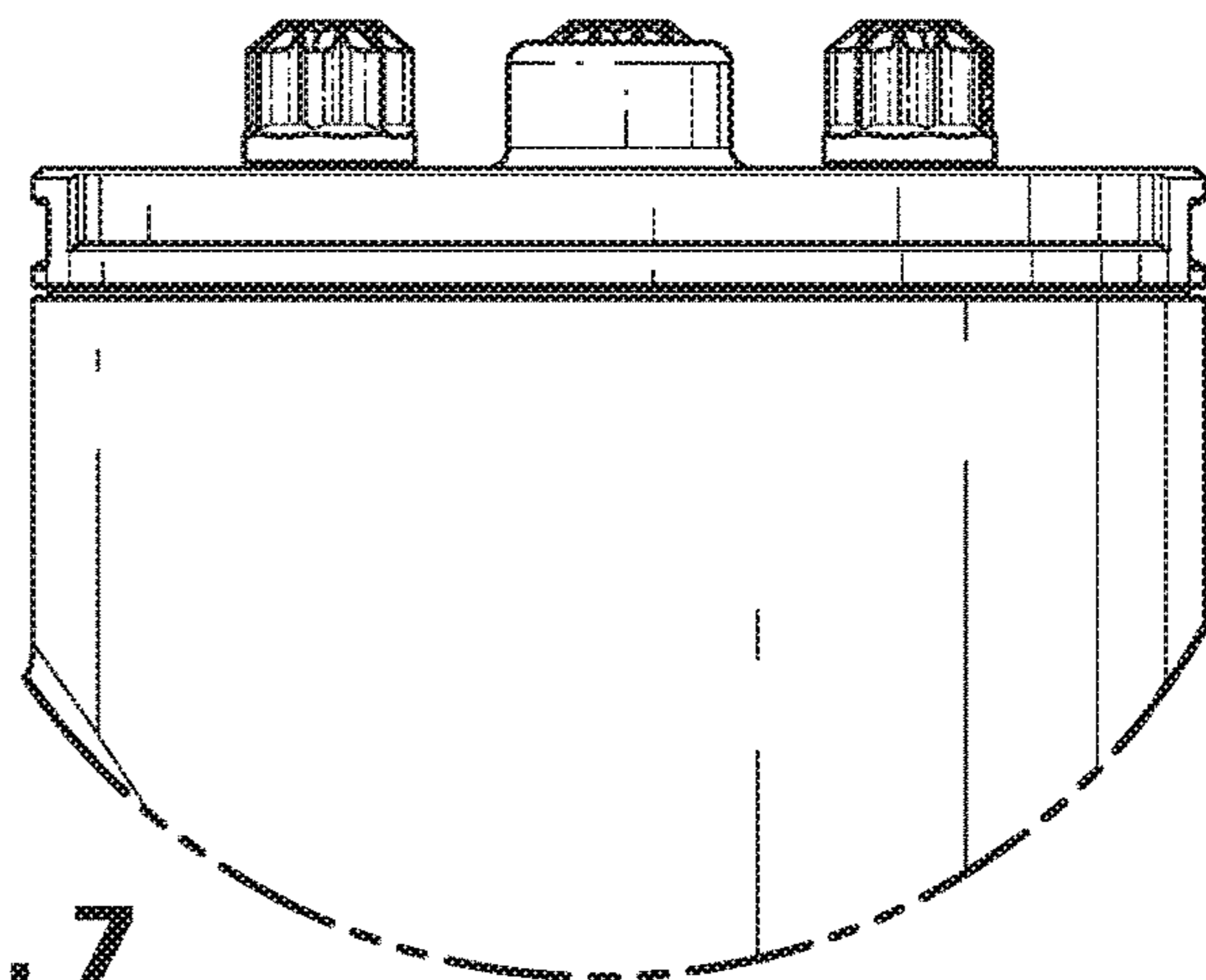


FIG. 7

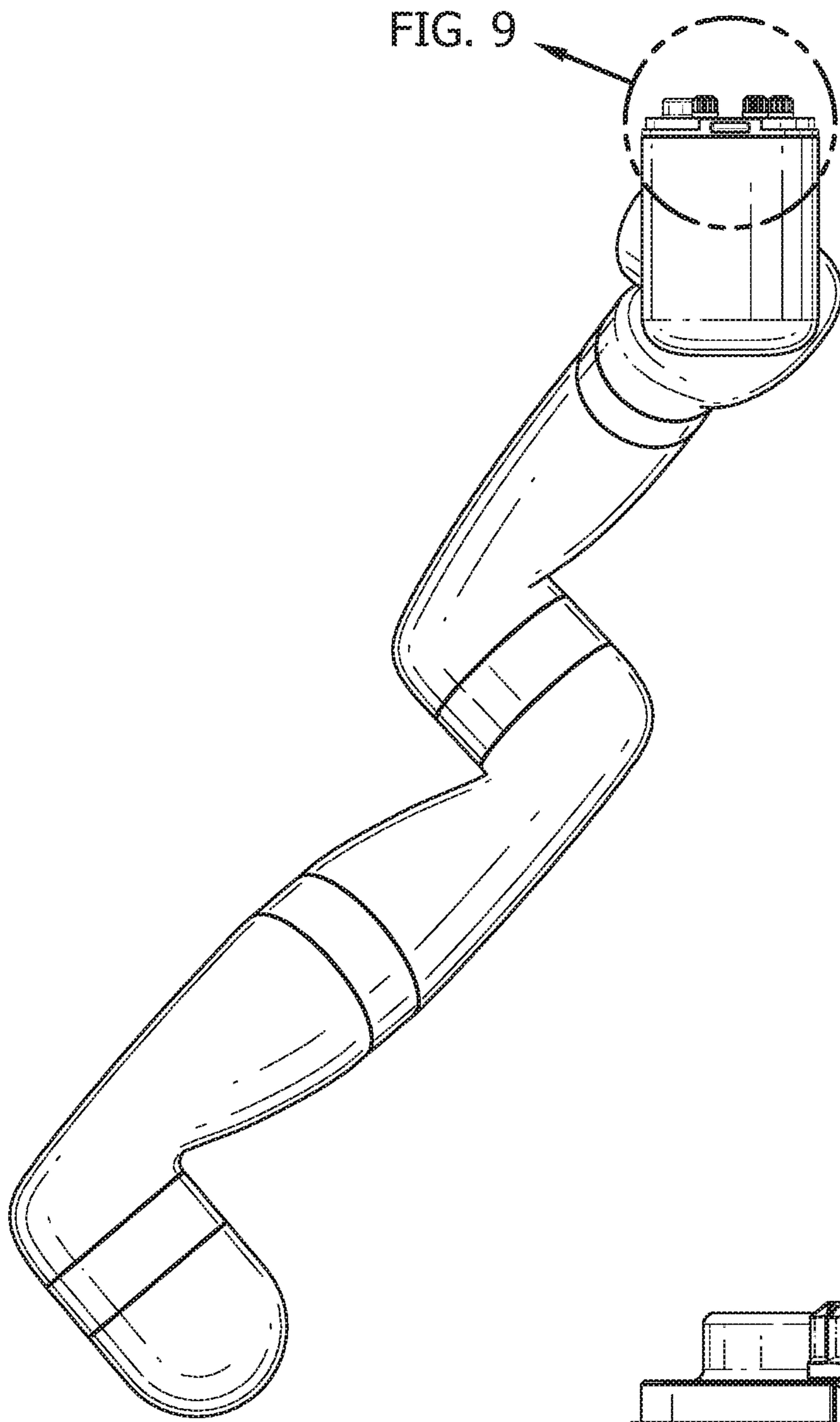


FIG. 8

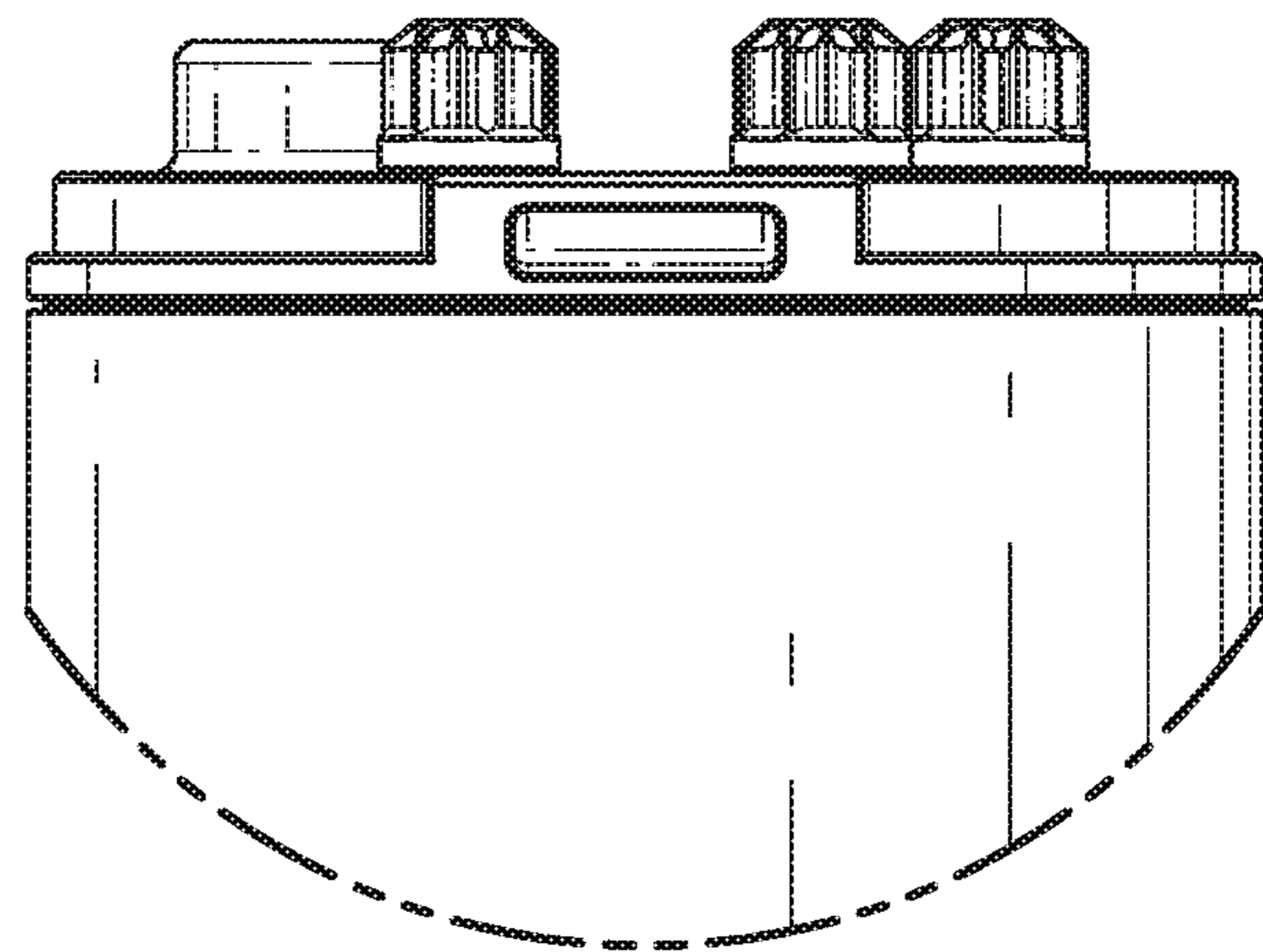
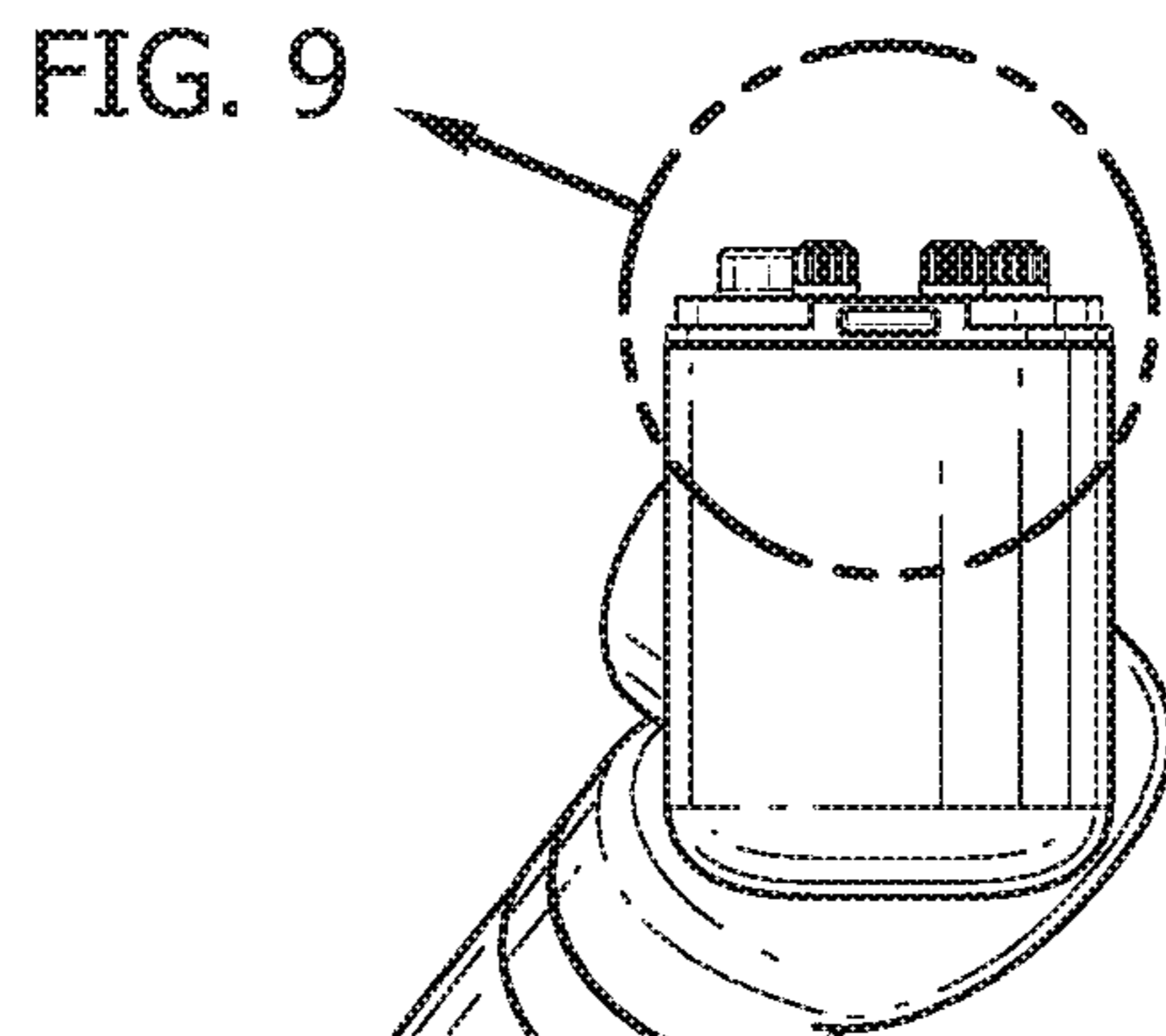


FIG. 9

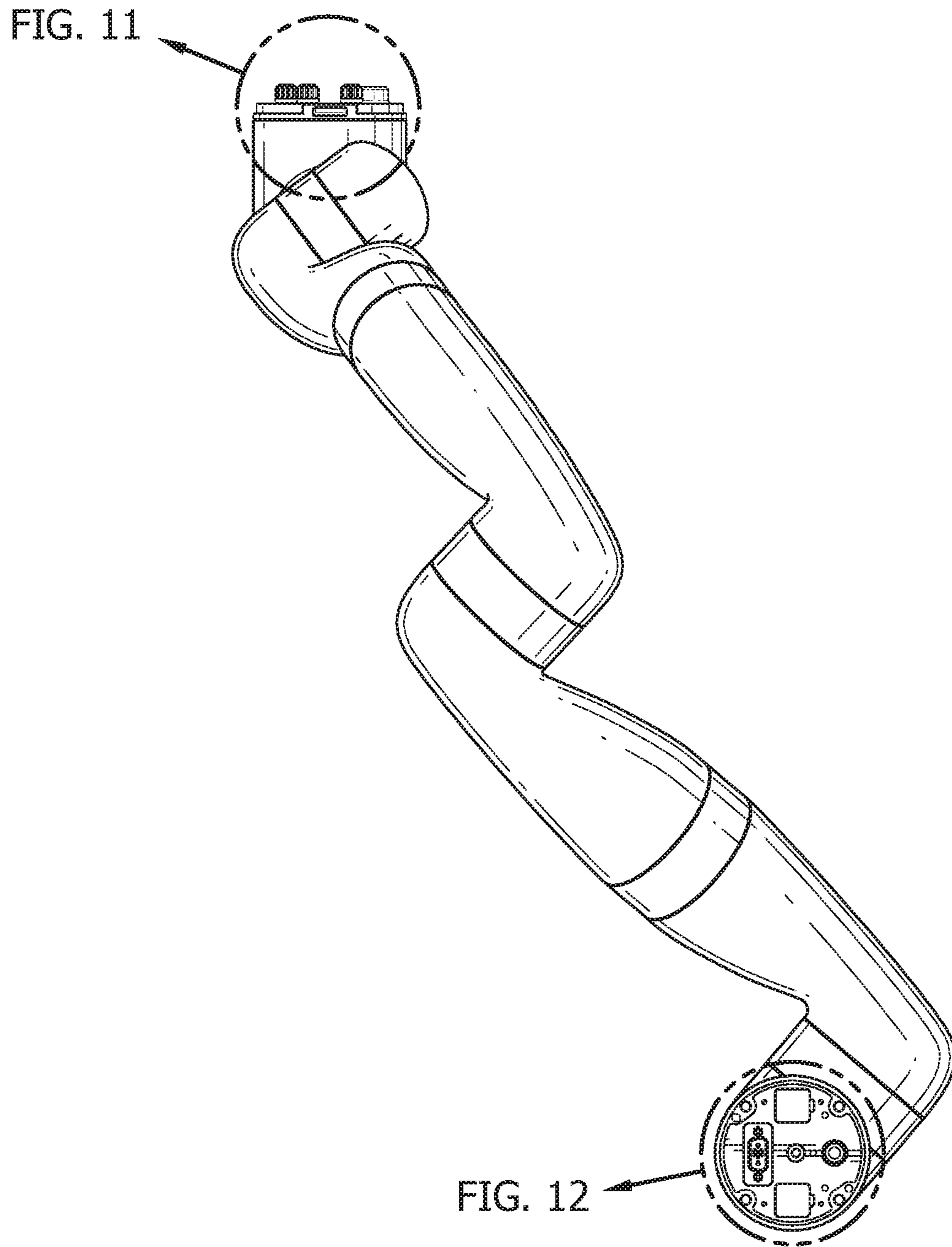


FIG. 10

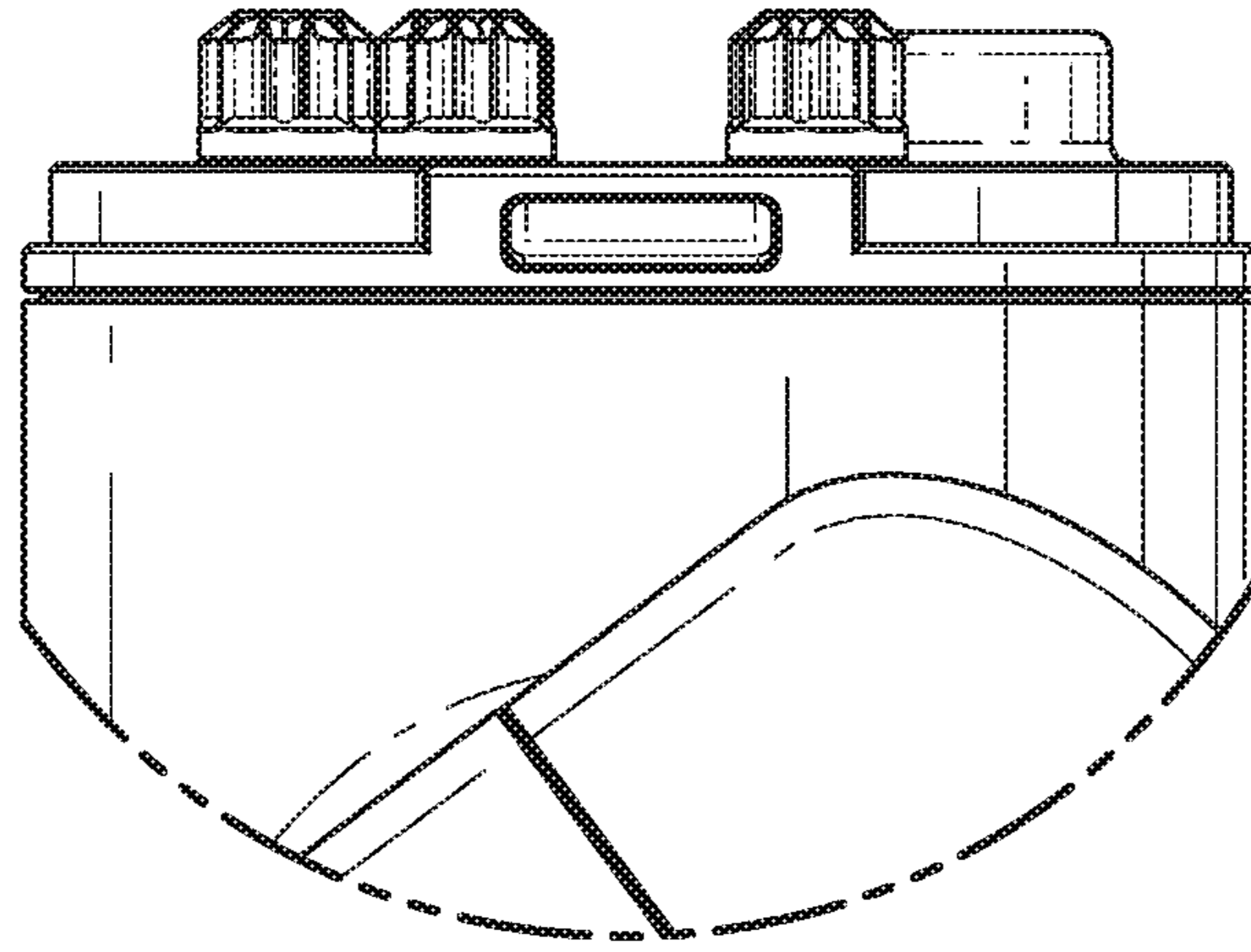


FIG. 11

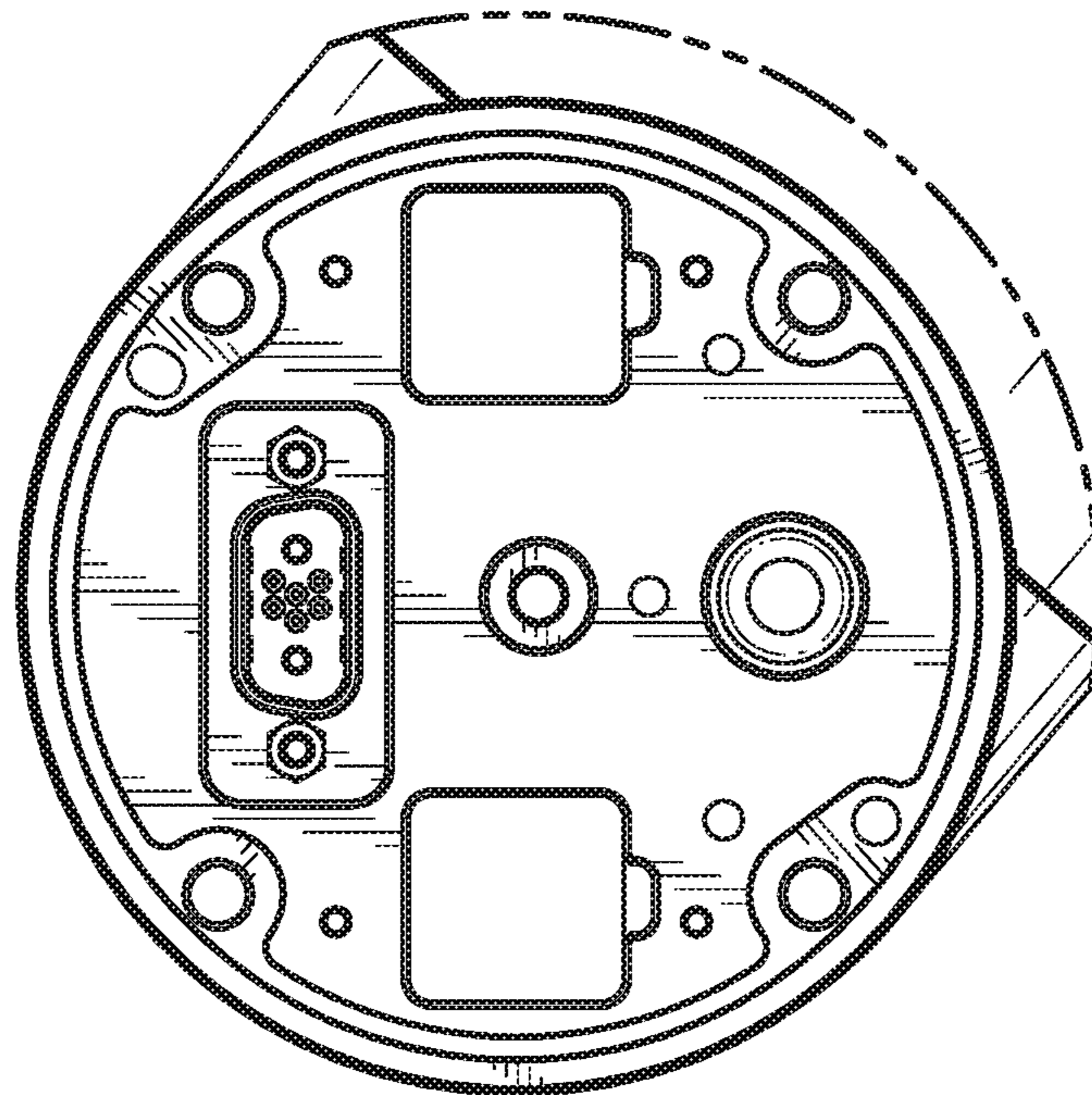


FIG. 12

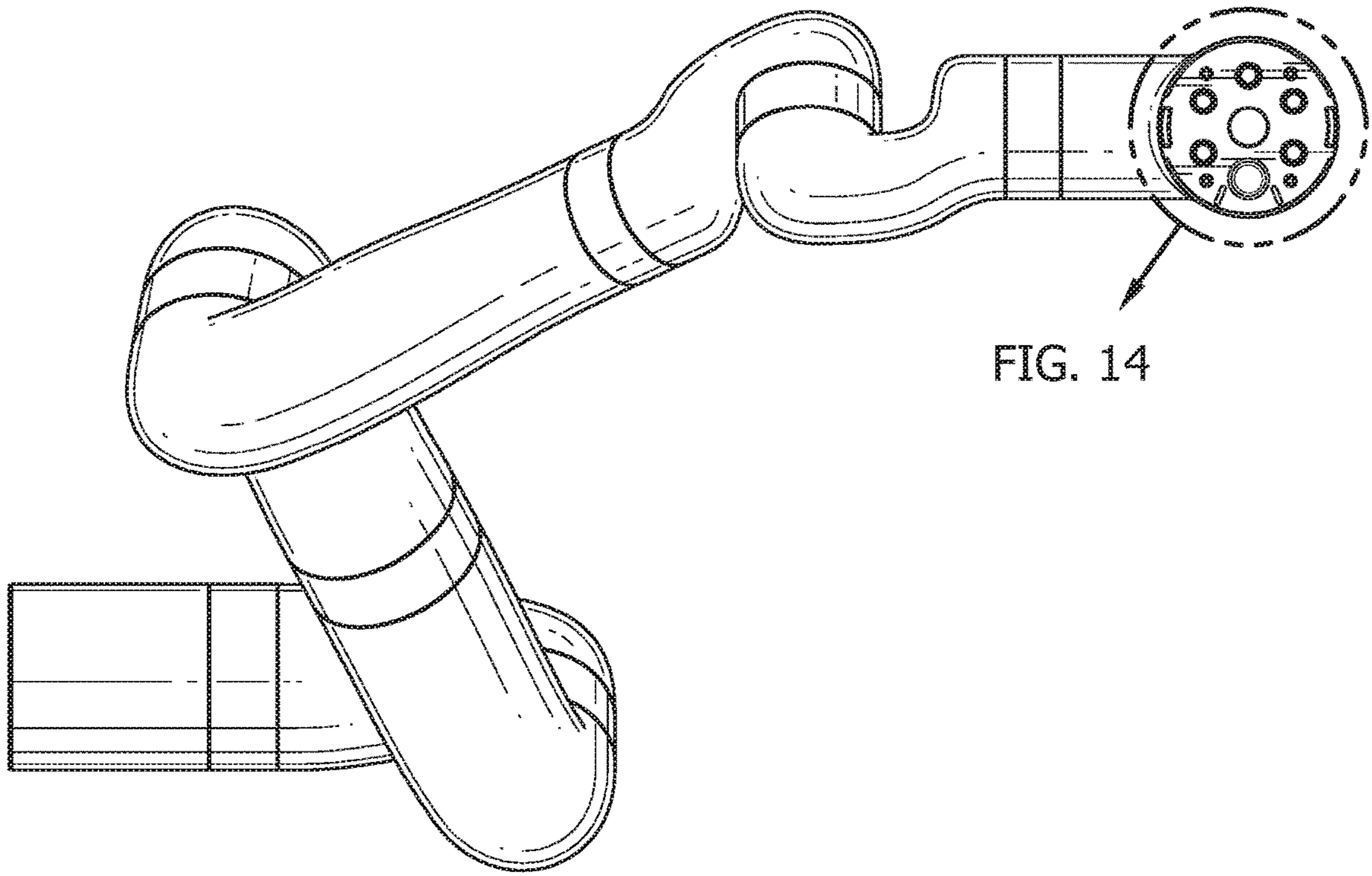


FIG. 14

FIG. 13

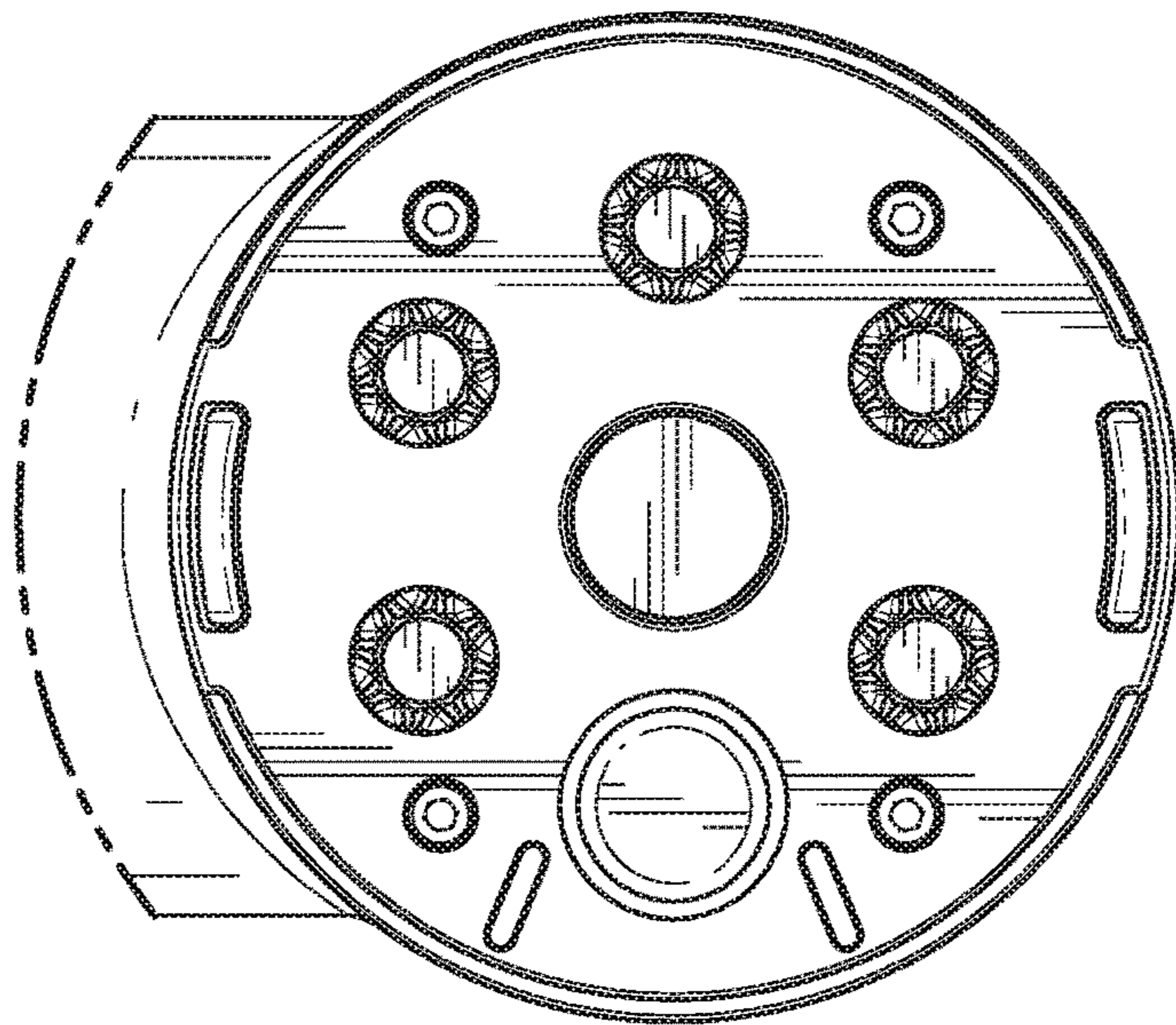


FIG. 14

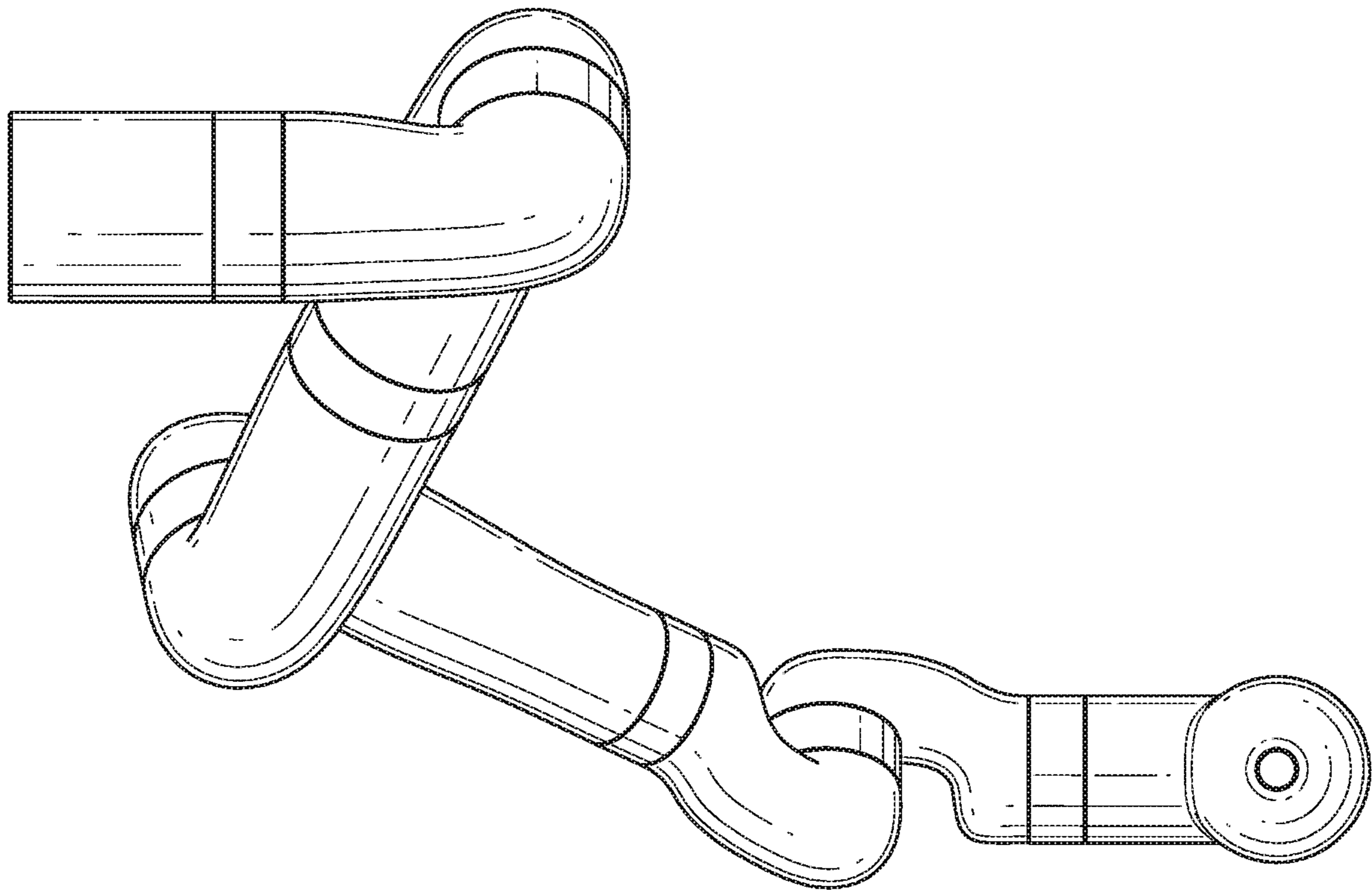


FIG. 15