



US00D873876S

(12) **United States Design Patent**
Bellante

(10) **Patent No.:** **US D873,876 S**

(45) **Date of Patent:** **** Jan. 28, 2020**

(54) **PACKAGING MACHINE**

(71) Applicant: **CAMA1 S.p.A.**, Milan (IT)

(72) Inventor: **Daniele Bellante**, Garbagnate
Monastero (IT)

(73) Assignee: **CAMA1 S.P.A.**, Milan (IT)

(**) Term: **15 Years**

(21) Appl. No.: **29/629,780**

(22) Filed: **Dec. 15, 2017**

(30) **Foreign Application Priority Data**

Jun. 21, 2017	(EM)	004059210-0001
Jun. 21, 2017	(EM)	004059210-0002
Jun. 21, 2017	(EM)	004059210-0003
Jun. 21, 2017	(EM)	004059210-0004
Jun. 21, 2017	(EM)	004059210-0005

(51) **LOC (12) Cl.** **15-09**

(52) **U.S. Cl.**
USPC **D15/145**; D15/122

(58) **Field of Classification Search**
USPC D15/122, 127, 130, 145
CPC B23F 5/20; B23F 23/1243; B23Q 1/01;
B23Q 1/03; B23Q 1/26; B23Q 3/10;
B23Q 11/08; B23Q 11/007; B23Q
11/0042; B23Q 11/0891; B23Q 15/007;
B23Q 17/00; B23Q 17/007; B23Q
39/006; B23Q 39/024

See application file for complete search history.

(56) **References Cited**

U.S. PATENT DOCUMENTS

D241,160	S	*	8/1976	Gurian et al.	D15/122
5,062,195	A	*	11/1991	Binder	B23Q 3/15526 29/563
D424,584	S	*	5/2000	Kawahara	D15/122

D464,363	S	*	10/2002	Saito	D15/122
D489,077	S	*	4/2004	Bloch	D15/122
D495,723	S	*	9/2004	Kawamura	D15/127
D518,497	S	*	4/2006	Muraoka	D15/122
D548,754	S	*	8/2007	Itabashi	D15/122
D548,755	S	*	8/2007	Takeshima	D15/122
D557,295	S	*	12/2007	Formanek	D15/127
D578,144	S	*	10/2008	Arisue	D15/122
D603,430	S	*	11/2009	Masauji	D15/122
D609,724	S	*	2/2010	Haraldsson	D15/122
D614,211	S	*	4/2010	De Vries	D15/122
D635,595	S	*	4/2011	Hiroshima	D15/122
D635,596	S	*	4/2011	Hiroshima	D15/122
D637,631	S	*	5/2011	Hiroshima	D15/122

(Continued)

Primary Examiner — Patricia A Palasik

(74) *Attorney, Agent, or Firm* — Dorsey & Whitney LLP

(57) **CLAIM**

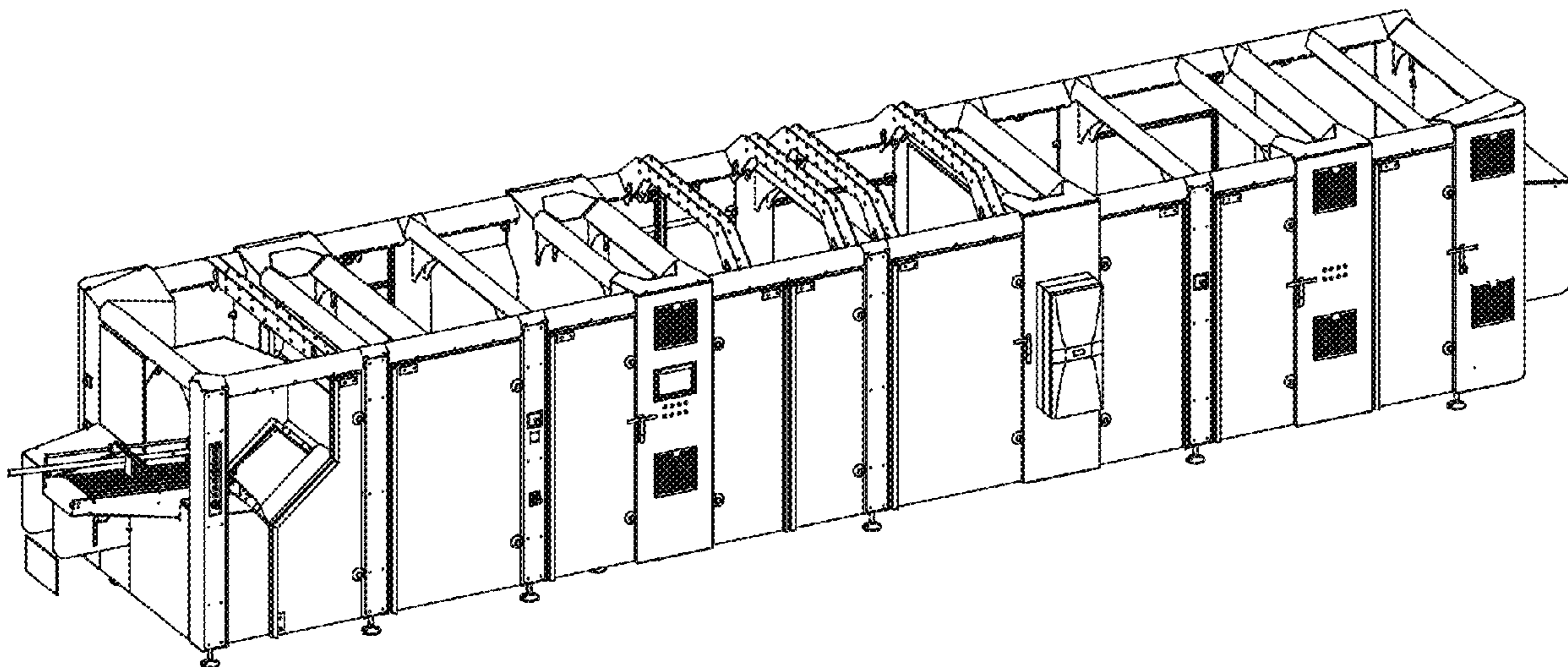
The ornamental design for a packaging machine, as shown and described.

DESCRIPTION

FIG. 1 is a perspective view of a packaging machine, according to a fourth embodiment;
FIG. 2 is a front elevational view thereof;
FIG. 3 is a rear elevational view thereof;
FIG. 4 is a right side elevational view thereof;
FIG. 5 is a left side elevational view thereof;
FIG. 6 is a top plan view thereof; and,
FIG. 7 is a bottom plan view thereof, which forms no part of the claimed design.

The broken lines shown in the drawings are for illustrative purposes only and form no part of the claimed design. Any combination of the illustrated features, including claimed features and non-claimed features, may be claimed in this application or a continuing application claiming priority to this application by converting any portion of the broken lines to solid lines, any portion of the solid lines to broken lines, or both.

1 Claim, 7 Drawing Sheets



(56)

References Cited

U.S. PATENT DOCUMENTS

D651,620	S	*	1/2012	Schindler	D15/122
D654,518	S	*	2/2012	Miyake	D15/122
D659,728	S	*	5/2012	Mueller	D15/122
D664,570	S	*	7/2012	Mueller	D15/122
D667,031	S	*	9/2012	Mueller	D15/122
D676,881	S	*	2/2013	Mueller	D15/122
D676,882	S	*	2/2013	Mueller	D15/122
D680,563	S	*	4/2013	Yang	D15/122
D683,771	S	*	6/2013	Shimano	D15/122
D690,331	S	*	9/2013	Kitamura	D15/122
D690,745	S	*	10/2013	Koide	D15/122
D693,859	S	*	11/2013	Kitamura	D15/122
D711,947	S	*	8/2014	Son	D15/199
D711,948	S	*	8/2014	Son	D15/199
D716,351	S	*	10/2014	Kitamura	D15/122
D718,353	S	*	11/2014	Kato	D15/122
D730,959	S	*	6/2015	Kirkland	D15/122
D735,253	S	*	7/2015	Bausback	D15/122
9,073,157	B2	*	7/2015	Nishida	B23Q 1/66
D736,840	S	*	8/2015	Kirkland	D15/122
D745,070	S	*	12/2015	Schindler	D15/122
D759,133	S	*	6/2016	Kitamura	D15/122
D759,736	S	*	6/2016	Huang	D15/122
D759,738	S	*	6/2016	Schonherr	D15/122
9,415,474	B2	*	8/2016	Lee	B23Q 11/00
D790,610	S	*	6/2017	Schindler	D15/122
D798,917	S	*	10/2017	Gallo	D15/122
D816,741	S	*	5/2018	Nicaise	D15/122
D841,701	S	*	2/2019	Gallo	D15/122

* cited by examiner

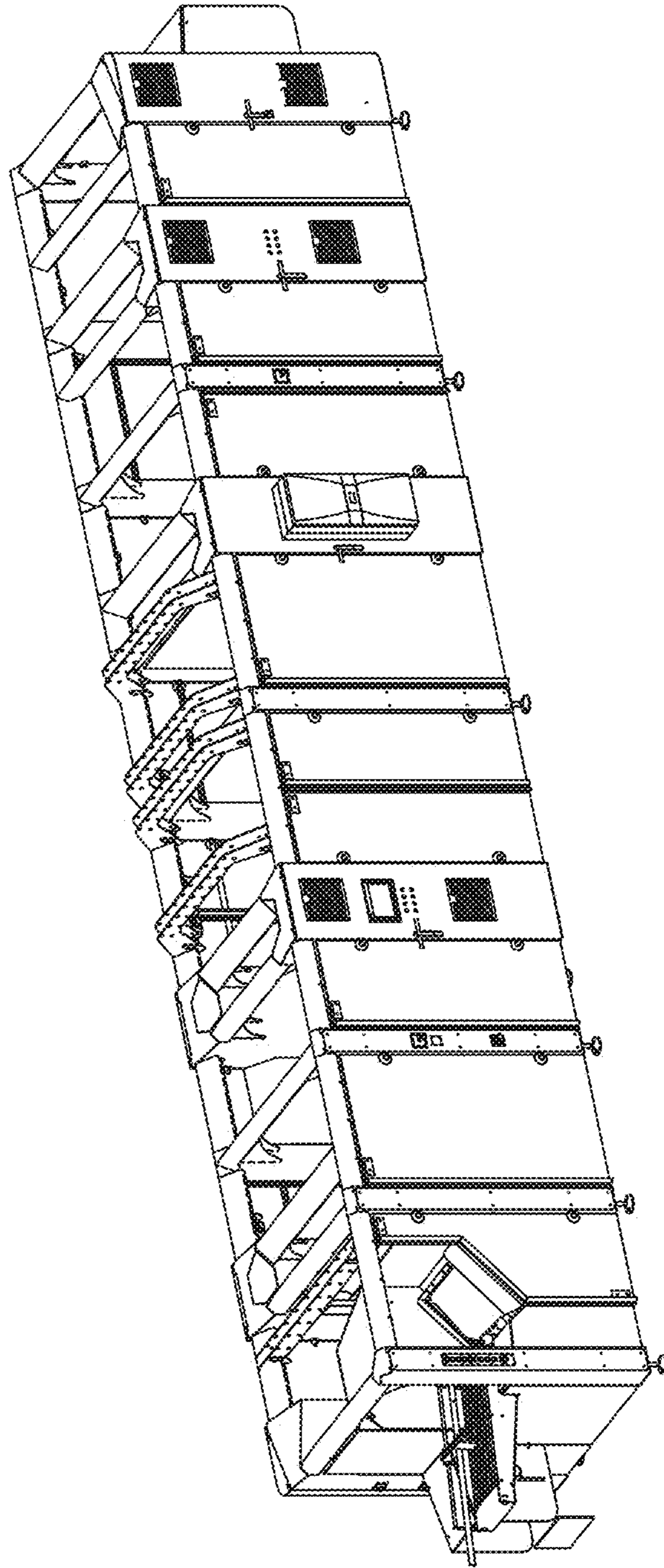


FIG. 1

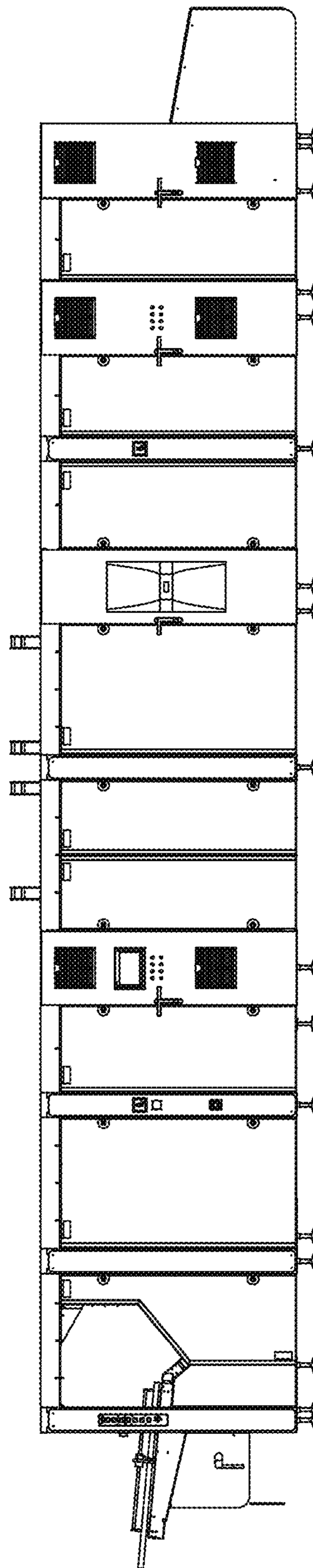


FIG. 2

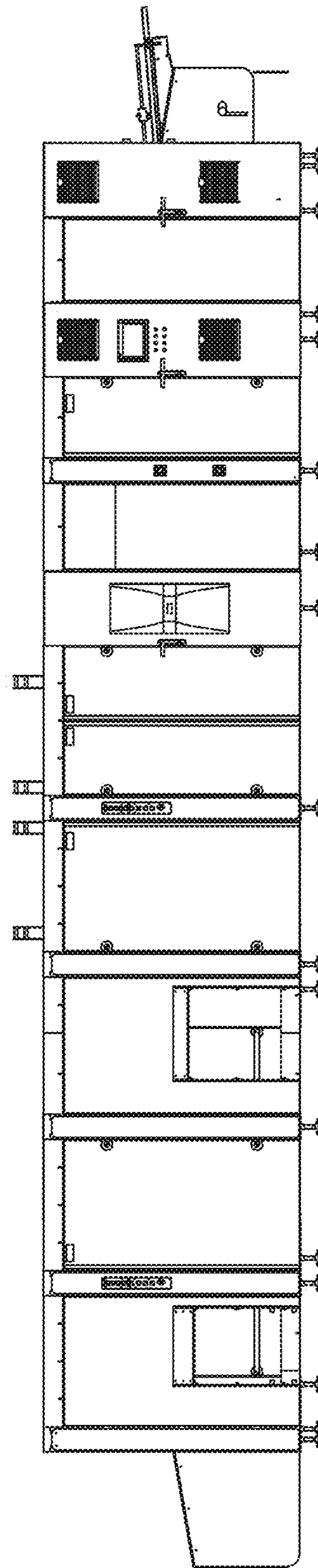


FIG. 3

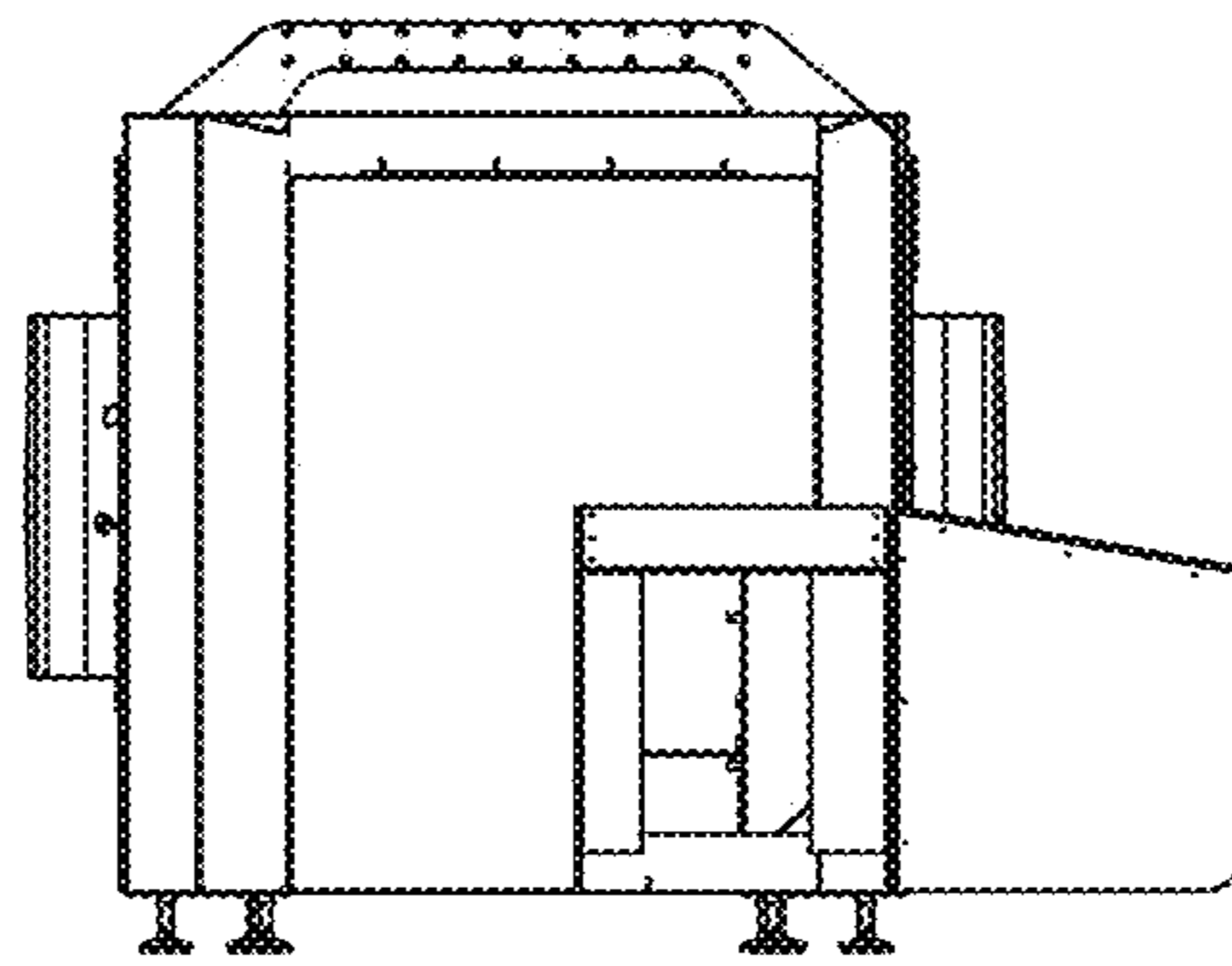


FIG. 4

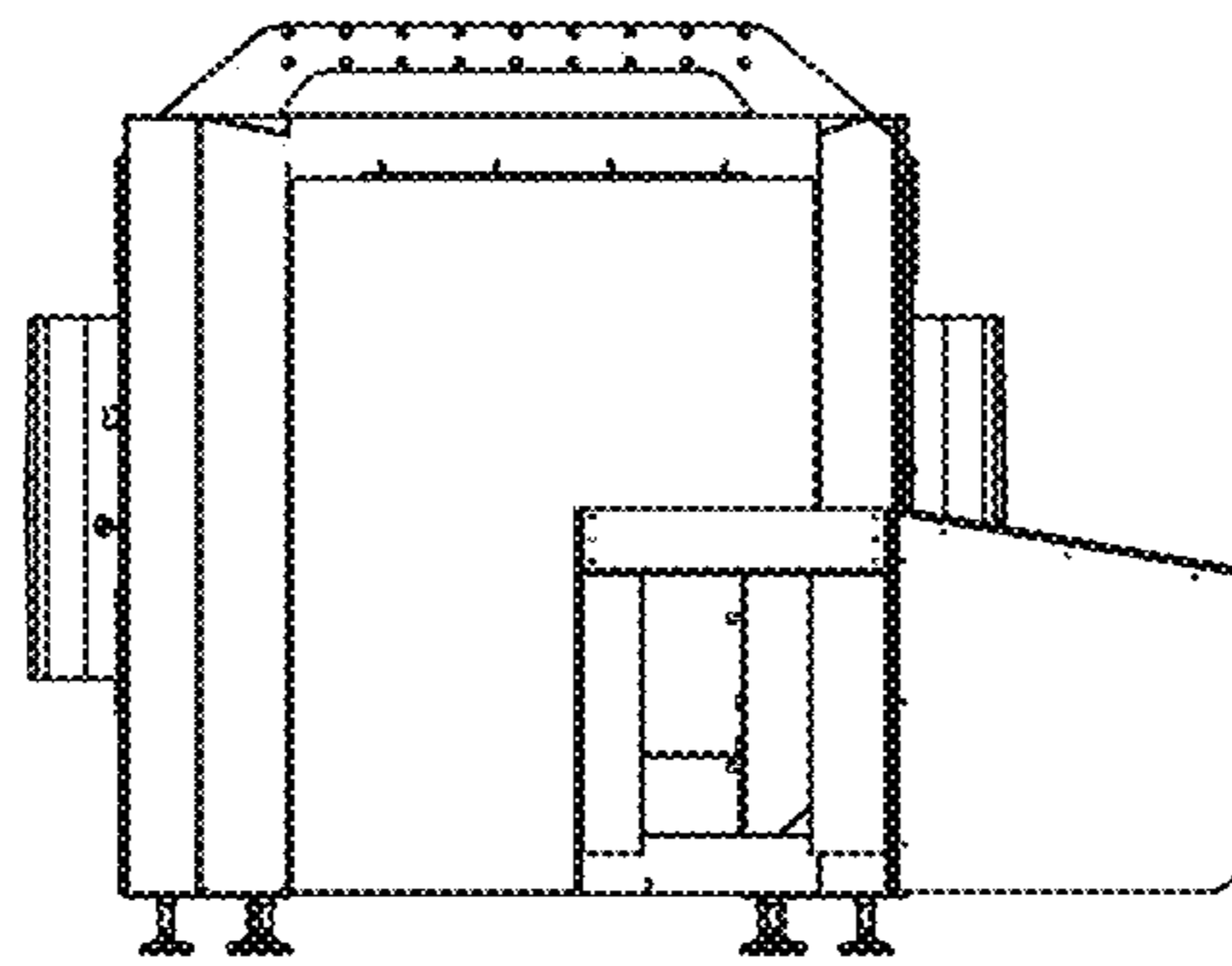


FIG. 5

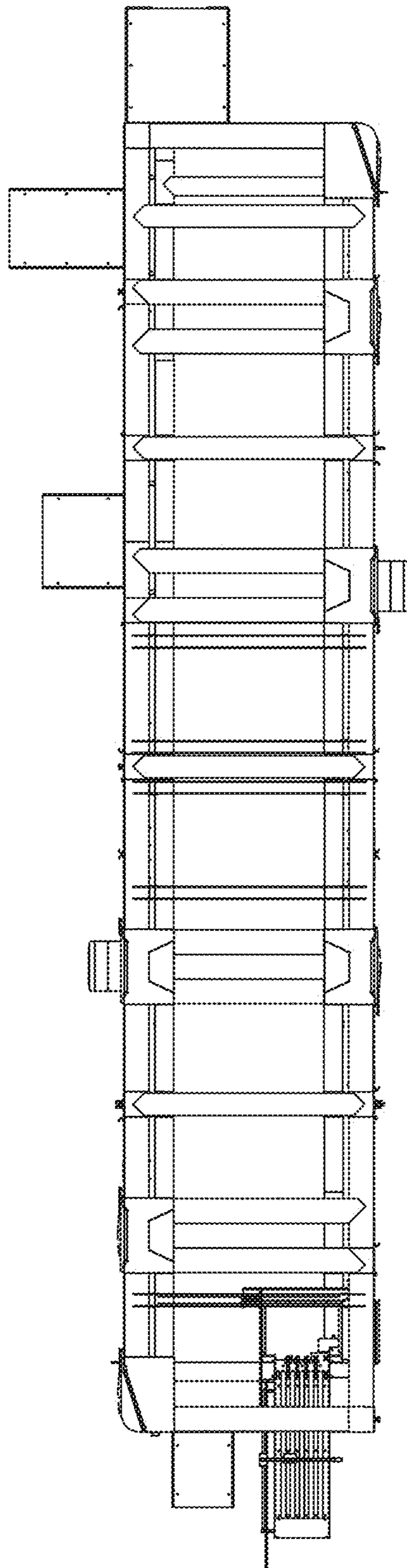


FIG. 6

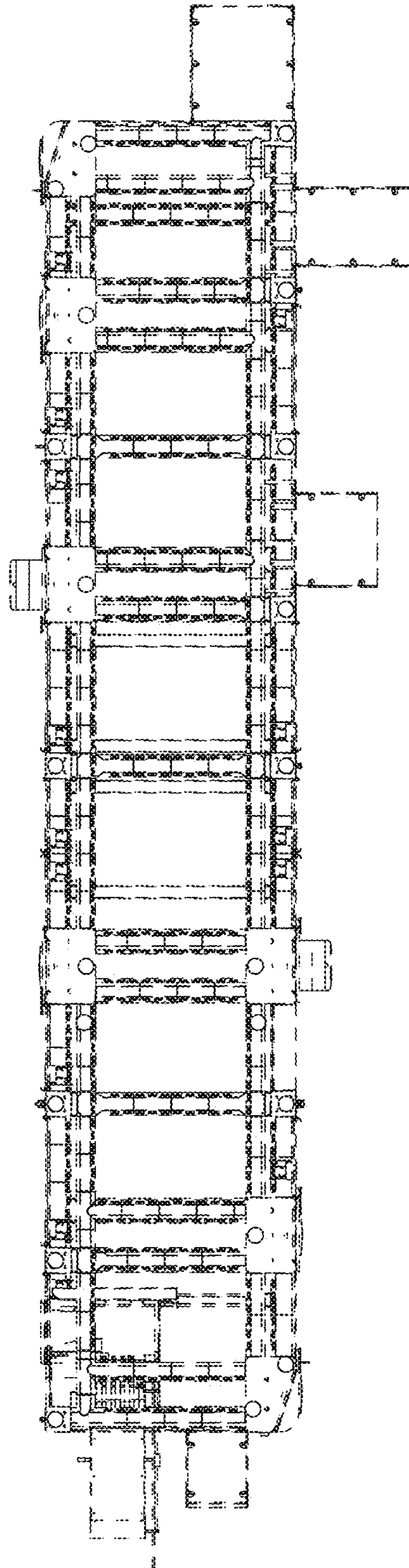


FIG. 7