



US00D873874S

(12) **United States Design Patent**
Baumann et al.

(10) **Patent No.:** **US D873,874 S**
(45) **Date of Patent:** **** Jan. 28, 2020**

(54) **AXIAL TURBINE HOUSING FOR A ROTARY ATOMIZER FOR A PAINTING ROBOT**

4,361,287 A 11/1982 Morishita et al.
4,555,058 A * 11/1985 Weinstein B05B 5/001
239/223
4,589,597 A * 5/1986 Robisch B05B 3/1064
239/224

(71) Applicant: **Dürr Systems GmbH**,
Bietigheim-Bissingen (DE)

(Continued)

(72) Inventors: **Michael Baumann**, Flein (DE); **Frank Herre**, Oberriexingen (DE); **Marcus Frey**, Weil der Stadt (DE); **Bernhard Seiz**, Lauffen (DE); **Harry Krumma**, Bönningheim (DE); **Timo Beyl**, Besigheim (DE); **Jürg Schiffmann**, Bern (SZ); **Stephan Scholl**, Herzogenbuchsee (SZ)

FOREIGN PATENT DOCUMENTS

DE 459519 C 5/1928
DE 560836 C 10/1932

(Continued)

(73) Assignee: **DÜRR SYSTEMS AG**,
Bietigheim-Bissingen (DE)

OTHER PUBLICATIONS

Braunling, Willy JG: Flugzeugtriebwerke, Springer Verlag. Gleichdruckturbine Seite 653 (Aug. 3, 2009); http://en.wikipedia.org/w/index.php?title=blanaced_turbine&oldid=164814892; Apr. 22, 2017 (4 pages; with English translation).

(Continued)

(**) Term: **15 Years**

Primary Examiner — Patricia A Palasik

(21) Appl. No.: **29/593,815**

(74) *Attorney, Agent, or Firm* — Bejin Bieneman PLC

(22) Filed: **Feb. 13, 2017**

Related U.S. Application Data

(63) Continuation of application No. 13/638,193, filed on Sep. 28, 2012, now Pat. No. 9,604,232.

(51) **LOC (12) Cl.** **15-09**

(52) **U.S. Cl.**
USPC **D15/138**

(58) **Field of Classification Search**
USPC D15/122, 138, 199
CPC ... B05B 3/1035; B05B 3/1042; B05B 3/1092;
B05B 5/0407; B05B 5/0415
See application file for complete search history.

(57) **CLAIM**

The ornamental design for an axial turbine housing for a rotary atomizer for a painting robot, as shown and described.

DESCRIPTION

FIG. 1 is a side perspective view of an axial turbine housing for a rotary atomizer for a painting robot, in which the ornamental design of the front and sides of the axial turbine housing is symmetric about the axis thereof; and FIG. 2 is a rear perspective view of the axial turbine housing of FIG. 1.

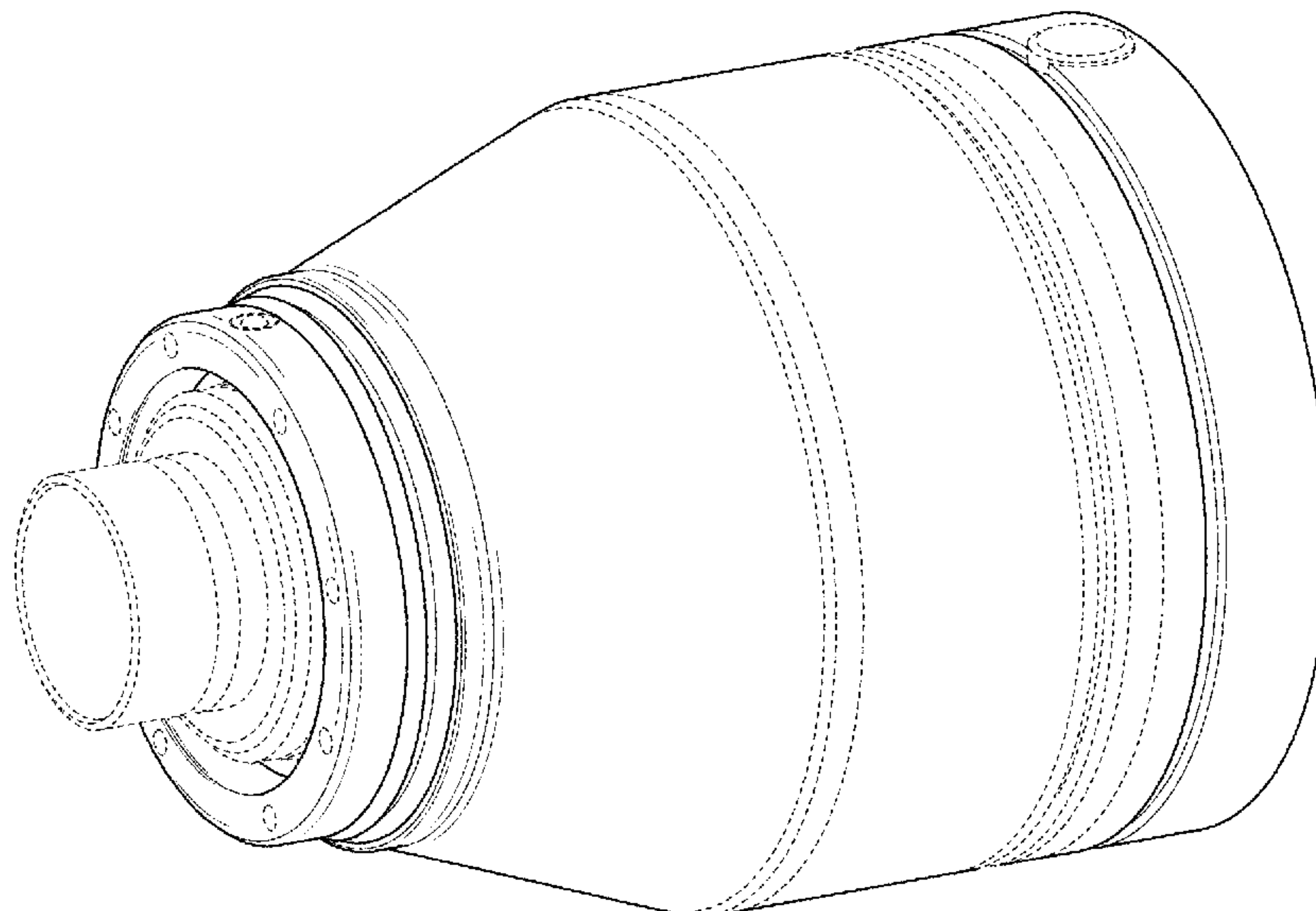
FIG. 3 is a side view of the axial turbine housing of FIG. 1; and, FIG. 4 is a rear plan view of the axial turbine housing of FIG. 1.

(56) **References Cited**

U.S. PATENT DOCUMENTS

2,640,679 A 6/1953 Wheatley et al.
3,709,630 A 1/1973 Pohl et al.

1 Claim, 4 Drawing Sheets



(56)

References Cited

U.S. PATENT DOCUMENTS

4,896,834 A * 1/1990 Coeling B05B 5/0415
239/691
5,697,559 A * 12/1997 Davis B05B 3/1064
239/224
5,803,372 A * 9/1998 Weinstein B05B 3/1064
239/223
5,853,126 A * 12/1998 Alexander B05B 3/1064
239/223
5,922,131 A * 7/1999 Haas B05B 3/1064
118/620
6,056,215 A 5/2000 Hansinger et al.
6,811,094 B2 * 11/2004 Kon B05B 3/1014
239/223
7,017,835 B2 * 3/2006 Vetter B05B 3/1014
239/106
7,080,794 B2 * 7/2006 Baumann B05B 3/1035
239/223
7,131,601 B2 11/2006 Nolte et al.
7,322,793 B2 1/2008 Baumann et al.
D636,842 S * 4/2011 Nolte D23/213
D636,843 S * 4/2011 Nolte D23/213
D636,844 S * 4/2011 Herre D23/213
D643,510 S * 8/2011 Nolte D23/213
9,375,734 B1 * 6/2016 van der Steur B05B 3/1092
9,604,232 B2 * 3/2017 Baumann B05B 3/1035

FOREIGN PATENT DOCUMENTS

DE 1 140 945 B 12/1962
DE 38045 A1 5/1965
DE 1954130 B2 8/1972
DE 31 51 929 A1 7/1983
DE 3317695 A1 11/1984

DE 19816648 A1 11/1998
DE 10233199 A1 2/2004
DE 10 2006 053 921 A1 5/2008
DE 102009034645 A1 1/2011
EP 0037645 B2 2/1988
EP 0 508 771 A1 10/1992
EP 0837223 A2 4/1998
EP 1 384 514 A2 1/2004
GB 2 097 291 A 11/1982
JP S6141864 A 11/1981
JP S57169455 U 10/1982
JP S58-124254 U 8/1983
JP S60 14 960 A 1/1985
JP S60-189351 U 12/1985
JP H07 185 405 A 7/1995
JP H10-212901 A 8/1998
JP H10-305241 A 11/1998
JP 2004321844 A 11/2004
JP 2008-104903 A 5/2008
JP S6097683 B2 3/2017

OTHER PUBLICATIONS

Adolph, Max (1959): Einführung in die Stromungsmaschinen. Turbinen, Kreiselpumpen, und Verdichter. Berlin: Springer Verlag (Auszug).
Kauder, Knut: Stromungslehre-Teil II—Stromungsmaschinen. Grundlagen der Turbinen, Kompressoren und Kreiselpumpen. Universität Dortmund: Vorlesungsmanuskript (Auszug-Kapitel 4). Notification of Reason for Rejection from the Japan Patent Office for Japanese Patent Application No. 2013-501659, dated Sep. 24, 2015 (English translation; 9 pages).
International Search Report for PCT/EP2011/001038 dated Jun. 17, 2011.

* cited by examiner

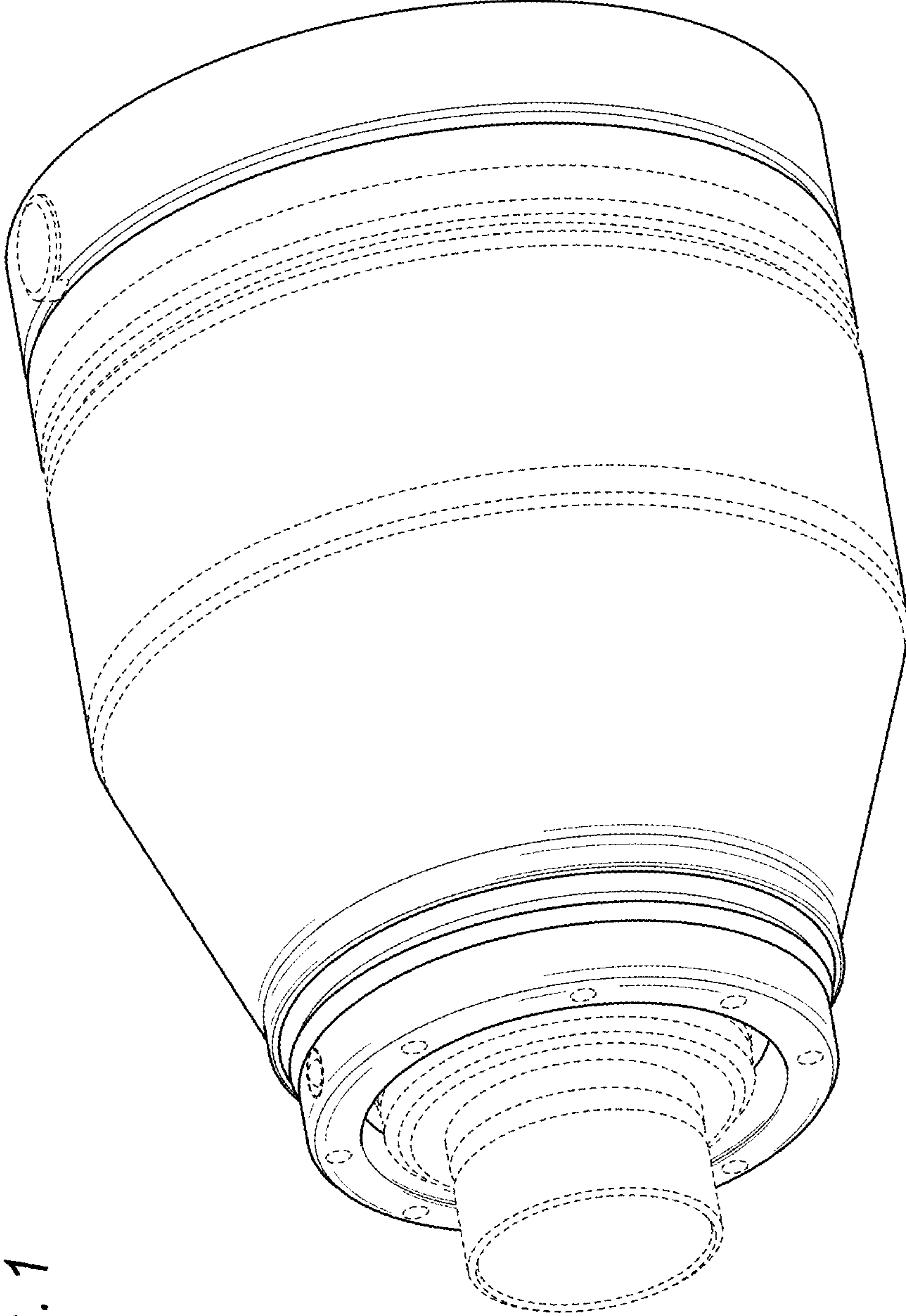


FIG. 1

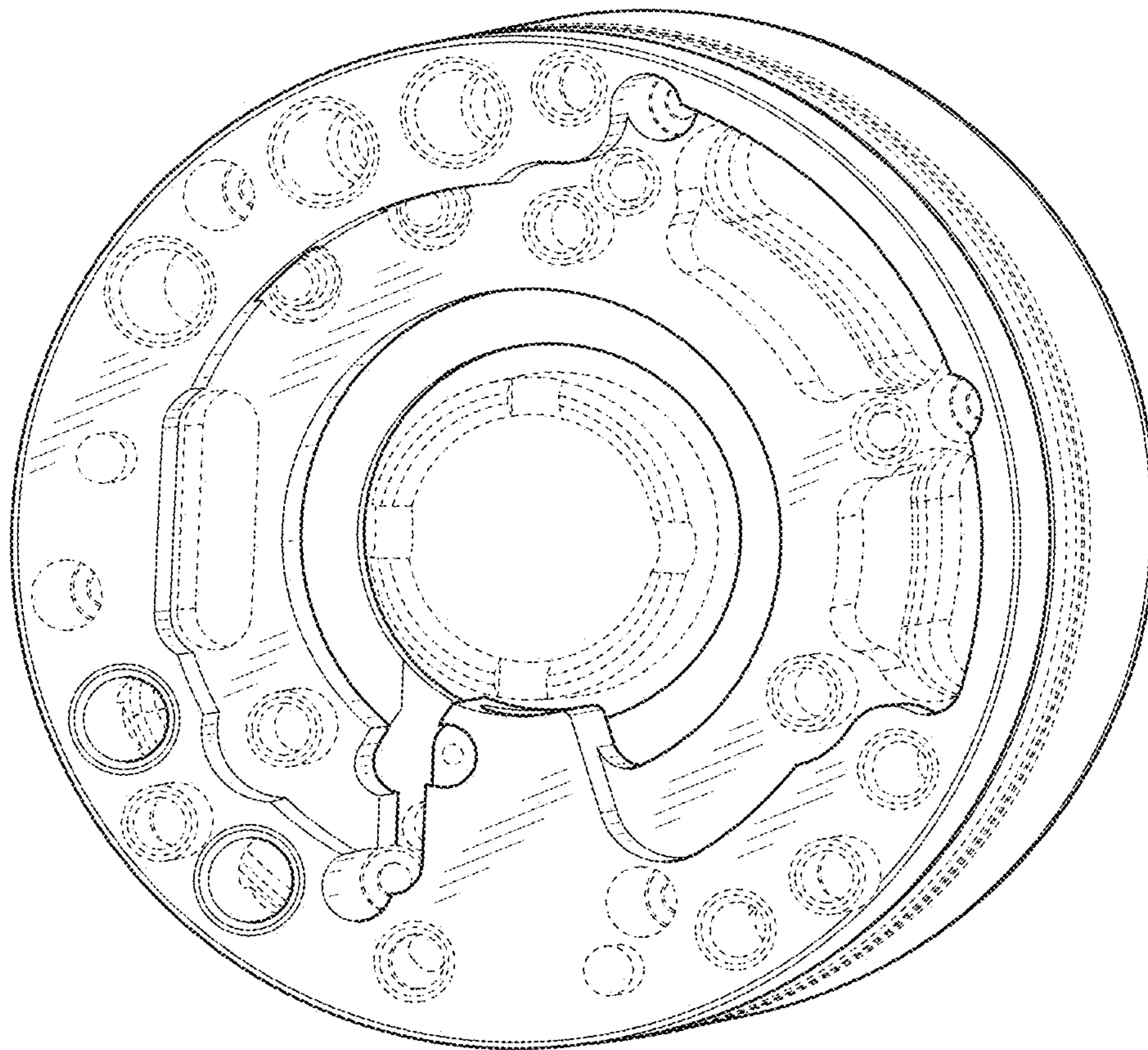


FIG. 2

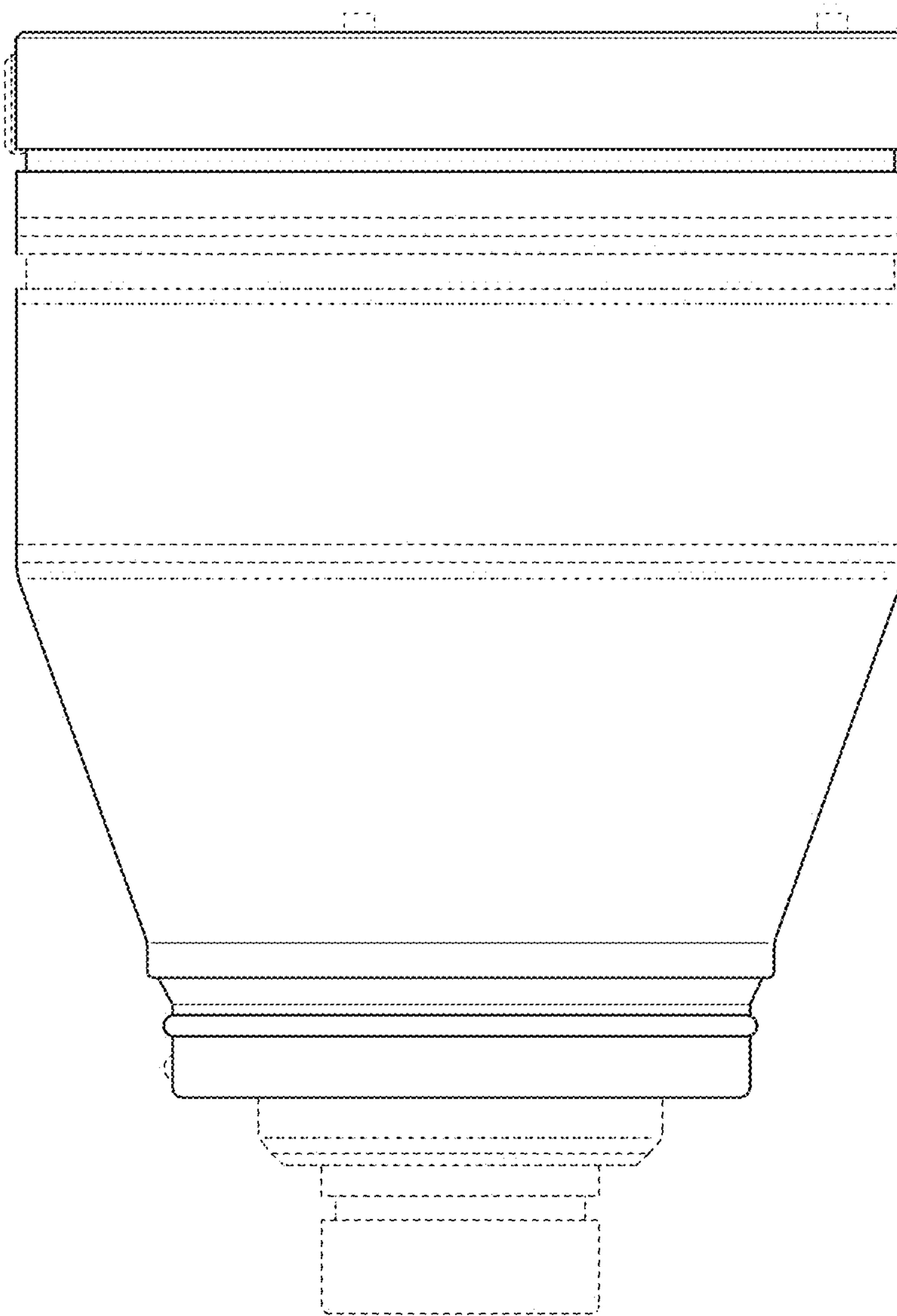


FIG. 3

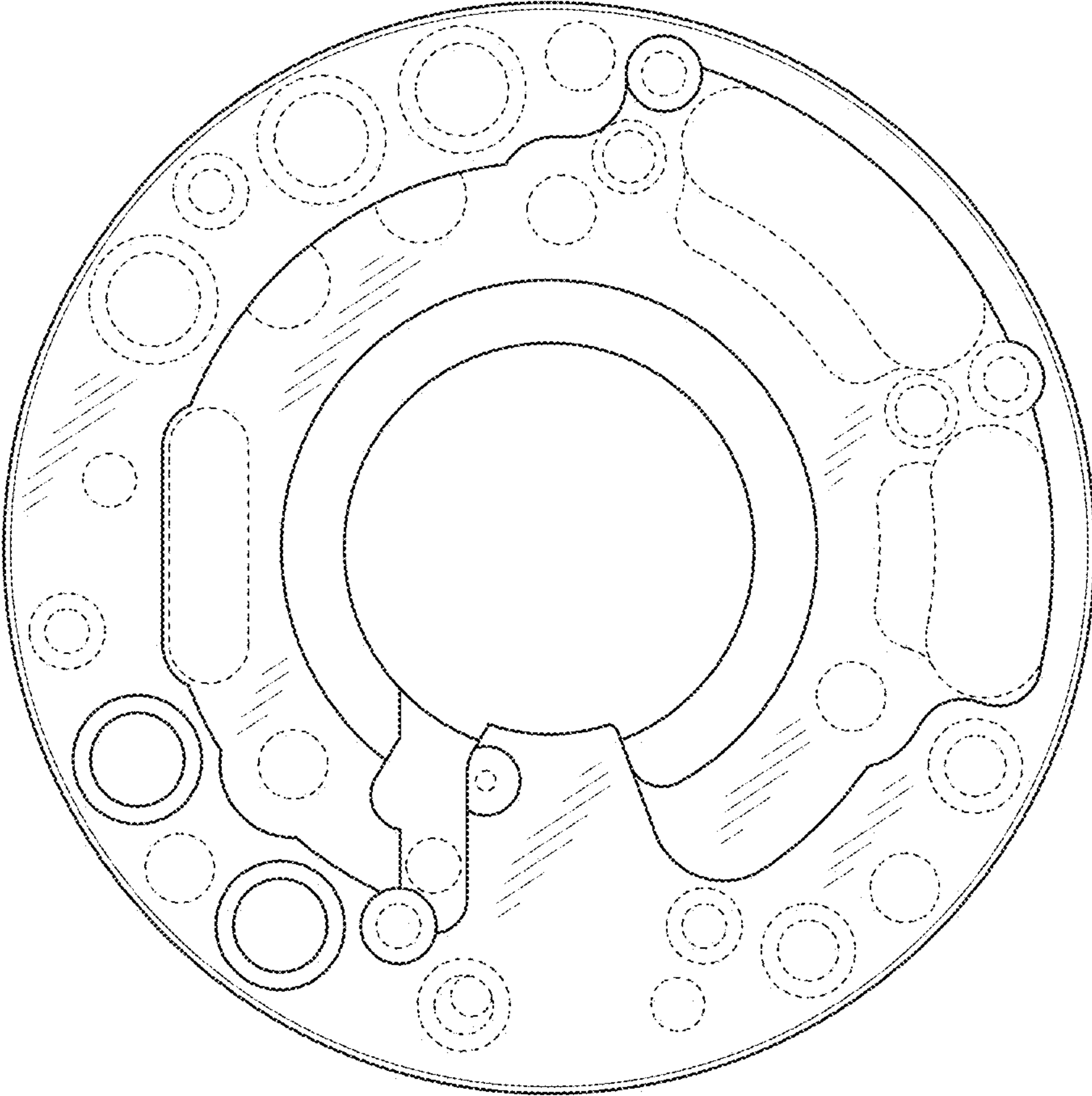


FIG. 4