



US00D873873S

(12) **United States Design Patent**
Sollberger et al.

(10) **Patent No.:** **US D873,873 S**
(45) **Date of Patent:** **** Jan. 28, 2020**

- (54) **COATING UNIT**
- (71) Applicant: **Oerlikon Metco AG, Wohlen, Wohlen (CH)**
- (72) Inventors: **Alexander Sollberger, Aarau (CH); Andreas Pick, Zurich (CH); J. H. W. Stevens, Enschede (NL); P. R. P. C. Adrian, Neede (NL); J. W. Olthoff, Nijverdal (NL)**
- (73) Assignee: **Oerlikon Metco AG, Wohlen (CH)**
- (**) Term: **15 Years**

- D680,563 S * 4/2013 Yang D15/122
- D690,331 S * 9/2013 Kitamura D15/122
- D690,744 S * 10/2013 Koide D15/122
- D696,315 S * 12/2013 Schmid D15/122
- D711,948 S * 8/2014 Son D15/199
- D717,850 S * 11/2014 Kawai D15/199
- D726,789 S * 4/2015 Schmid D15/122
- D755,862 S * 5/2016 Lee D15/122
- D759,736 S * 6/2016 Huang D15/122
- D759,737 S * 6/2016 Gramlich D15/122
- D778,329 S * 2/2017 Grobe D15/122
- D780,256 S * 2/2017 Clark, III D18/53
- D791,207 S * 7/2017 Haimer D15/146
- D799,569 S * 10/2017 Cesar D15/122

(Continued)

- (21) Appl. No.: **29/612,841**
- (22) Filed: **Aug. 4, 2017**
- (30) **Foreign Application Priority Data**
Feb. 7, 2017 (EM) 03742964
- (51) **LOC (12) Cl.** **15-09**
- (52) **U.S. Cl.**
USPC **D15/122; D15/199**
- (58) **Field of Classification Search**
USPC D8/14; D10/47, 81; D13/158-160;
D14/420-425; D15/122, 127, 144, 144.1,
D15/144.2, 145, 146, 199; D18/14, 19,
D18/36-39, 50, 53, 54, 54.1, 55
CPC H01L 21/67017; H01L 21/6715; B05D
1/005; B05D 3/0486; G03F 7/162
See application file for complete search history.

- (56) **References Cited**
U.S. PATENT DOCUMENTS
D428,025 S * 7/2000 Miyake D15/127
D612,873 S * 3/2010 Spinelli D15/131
D636,018 S * 4/2011 Kimura D18/50
D649,174 S * 11/2011 Schindler D15/127
D658,686 S * 5/2012 Mueller D15/122
D659,174 S * 5/2012 Mueller D15/122

OTHER PUBLICATIONS

Source One, posted on oerlikon.com, posted Sep. 24, 2018, no production date given, [online], [site visited Dec. 13, 2018], Available on Internet, URL: <https://www.oerlikon.com/metco/en/> (Year: 2018).*

Primary Examiner — Michael C Stout
Assistant Examiner — Fritzgerald L Butac
(74) *Attorney, Agent, or Firm* — Frost Brown Todd LLC

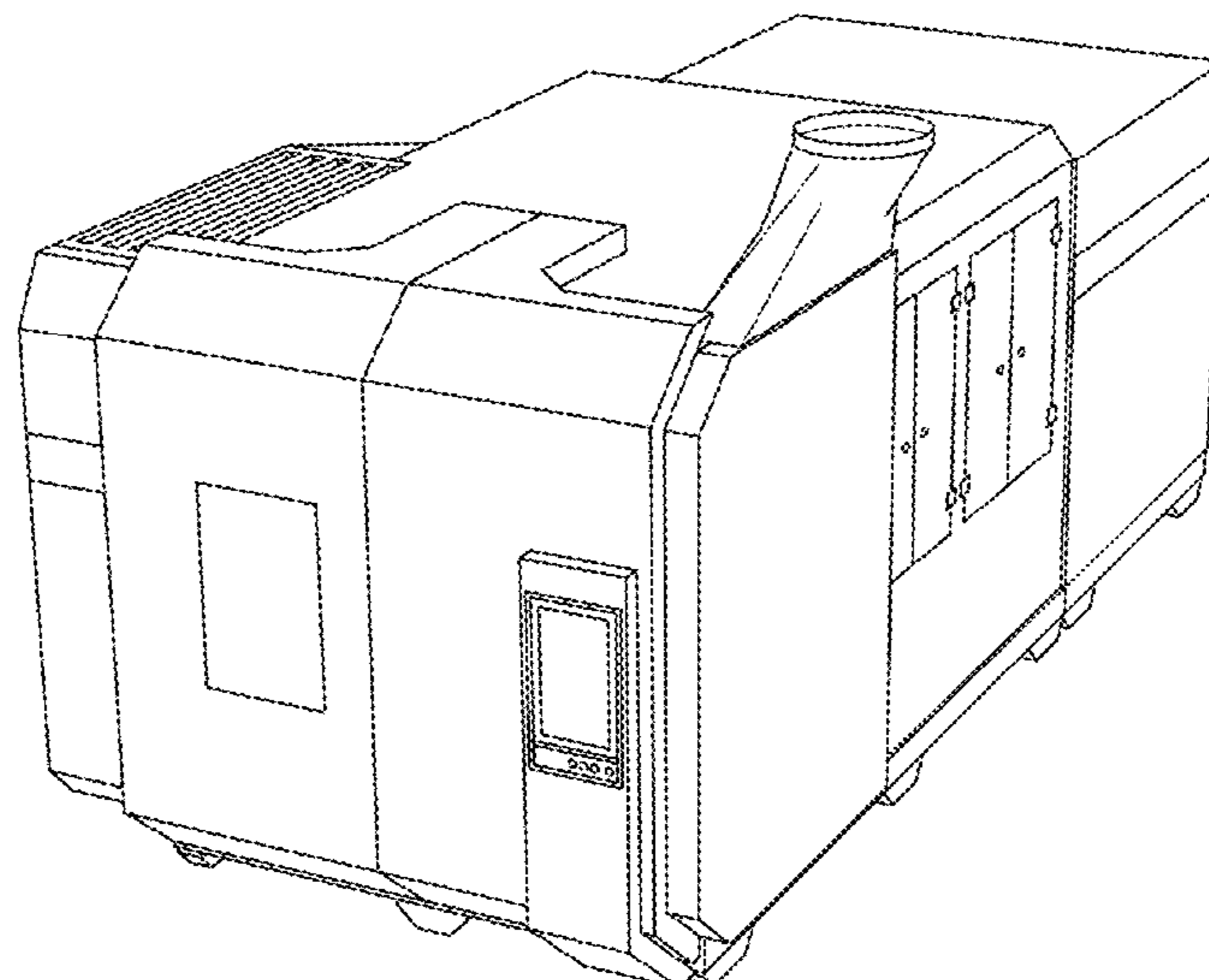
(57) **CLAIM**

The ornamental design for a coating unit, as shown and described.

DESCRIPTION

FIG. 1 is a front perspective view of a coating unit showing our new design;
FIG. 2 is a rear perspective view thereof;
FIG. 3 is a front elevational view of thereof;
FIG. 4 is a rear elevational view thereof;
FIG. 5 is a right elevational view thereof;
FIG. 6 is a left elevational view thereof;
FIG. 7 is a top plan view thereof; and,
FIG. 8 is a bottom plan view thereof.

1 Claim, 8 Drawing Sheets



(56)

References Cited

U.S. PATENT DOCUMENTS

D822,102 S * 7/2018 Vellutato, Jr. B41J 29/377
D18/53
D822,733 S * 7/2018 Deivasigamani D15/144
D823,366 S * 7/2018 Kato D15/199
2017/0140928 A1* 5/2017 Iwamoto H01L 21/0206

* cited by examiner

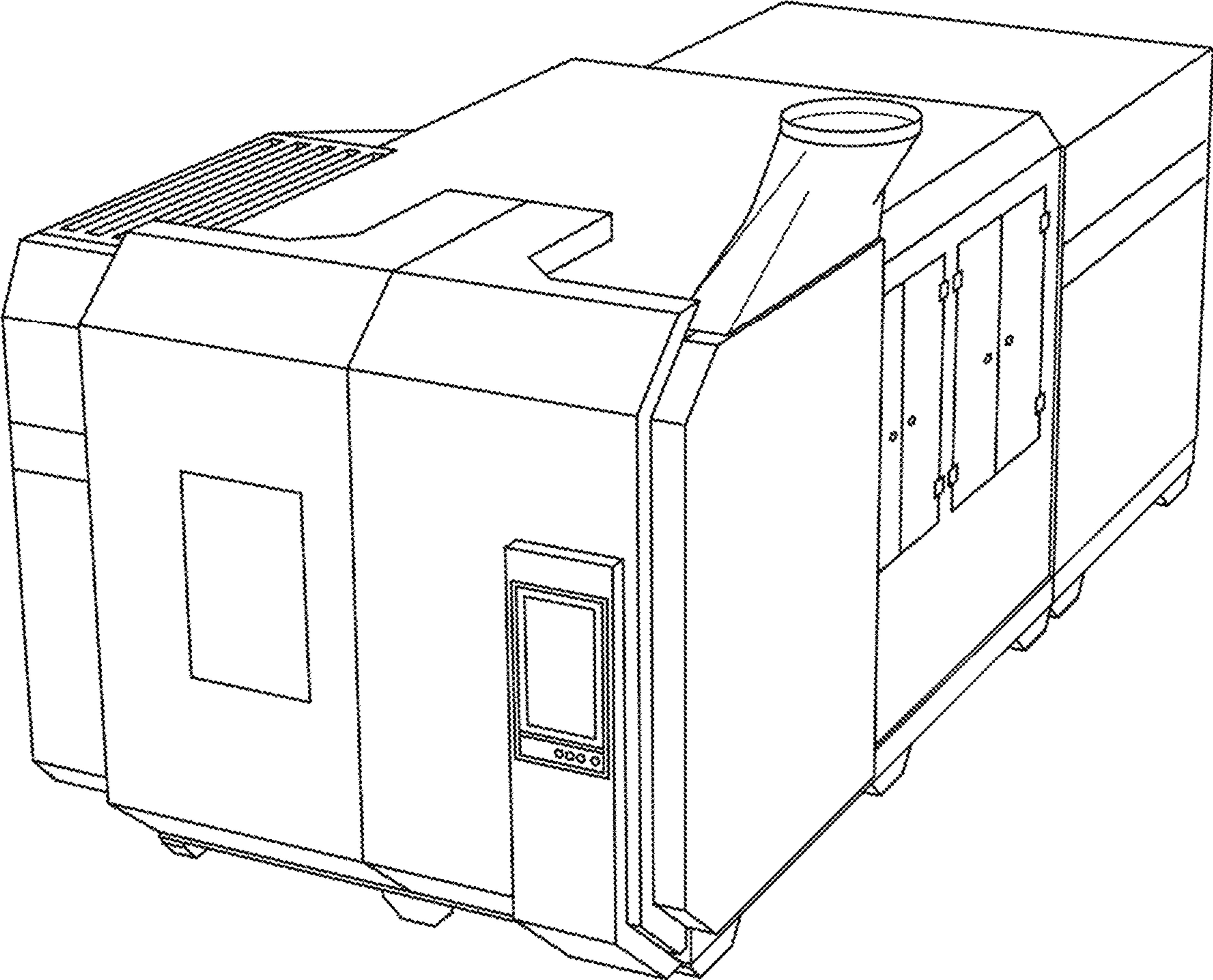


FIG. 1

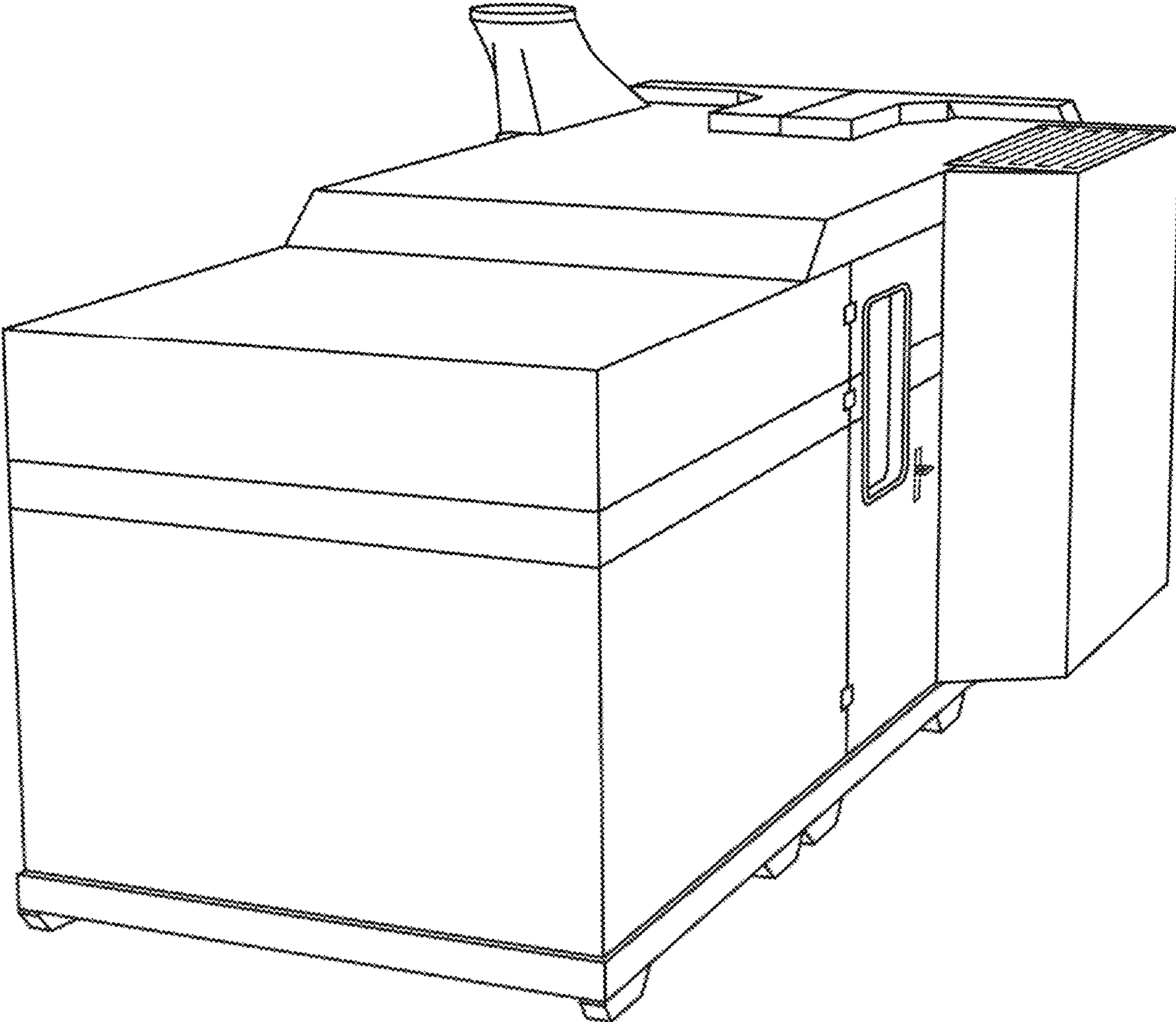


FIG. 2

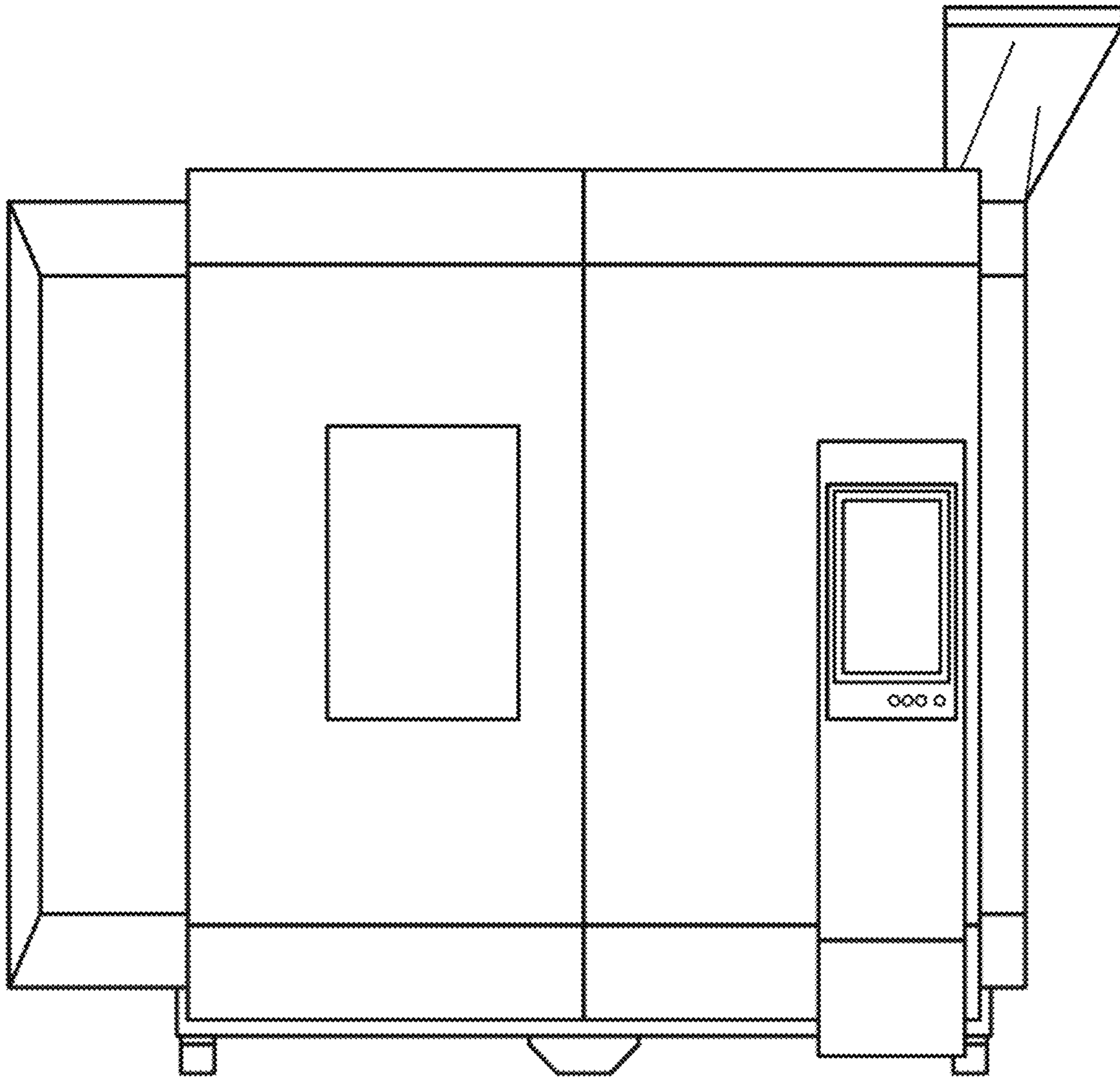


FIG. 3

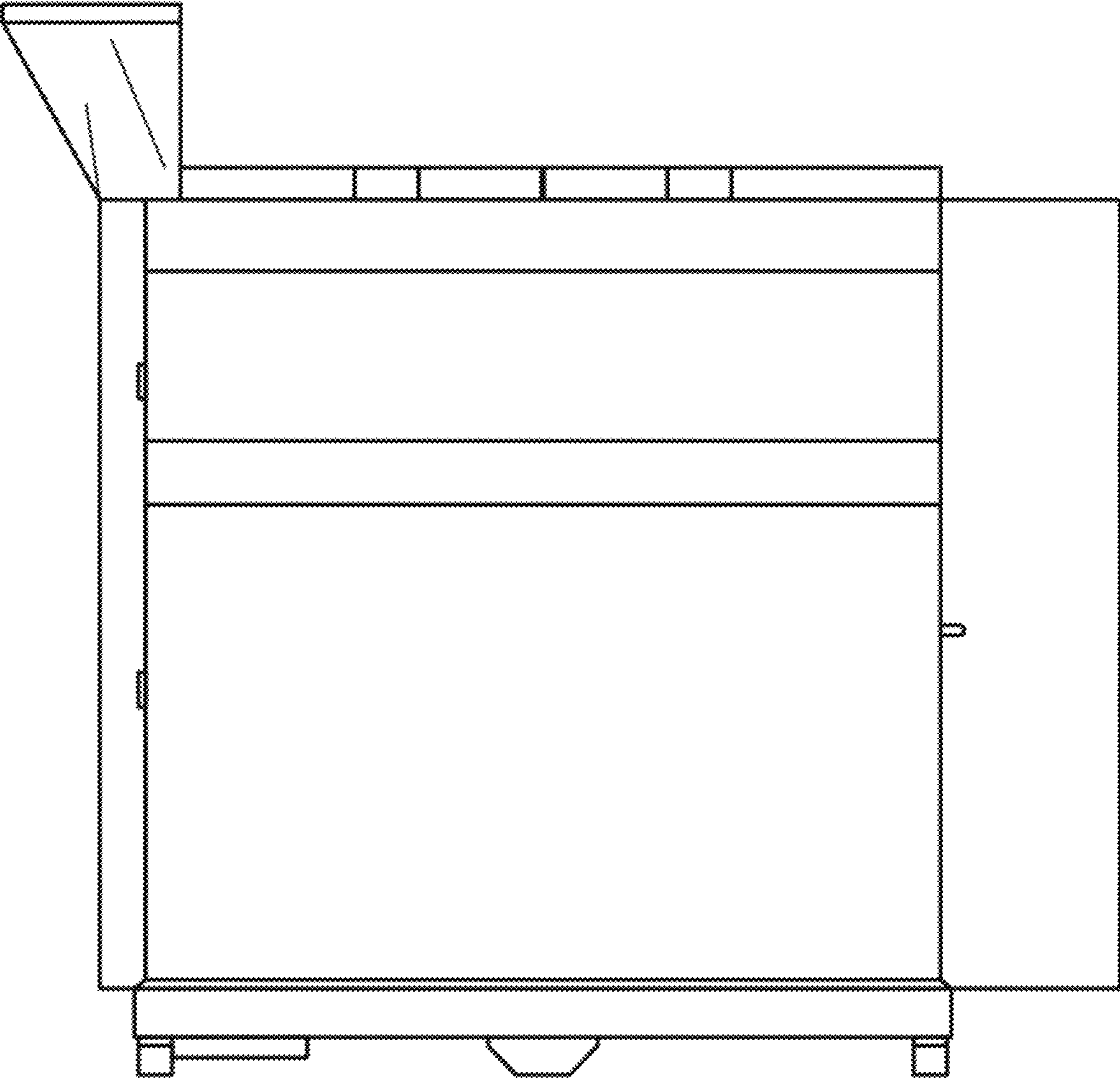


FIG. 4

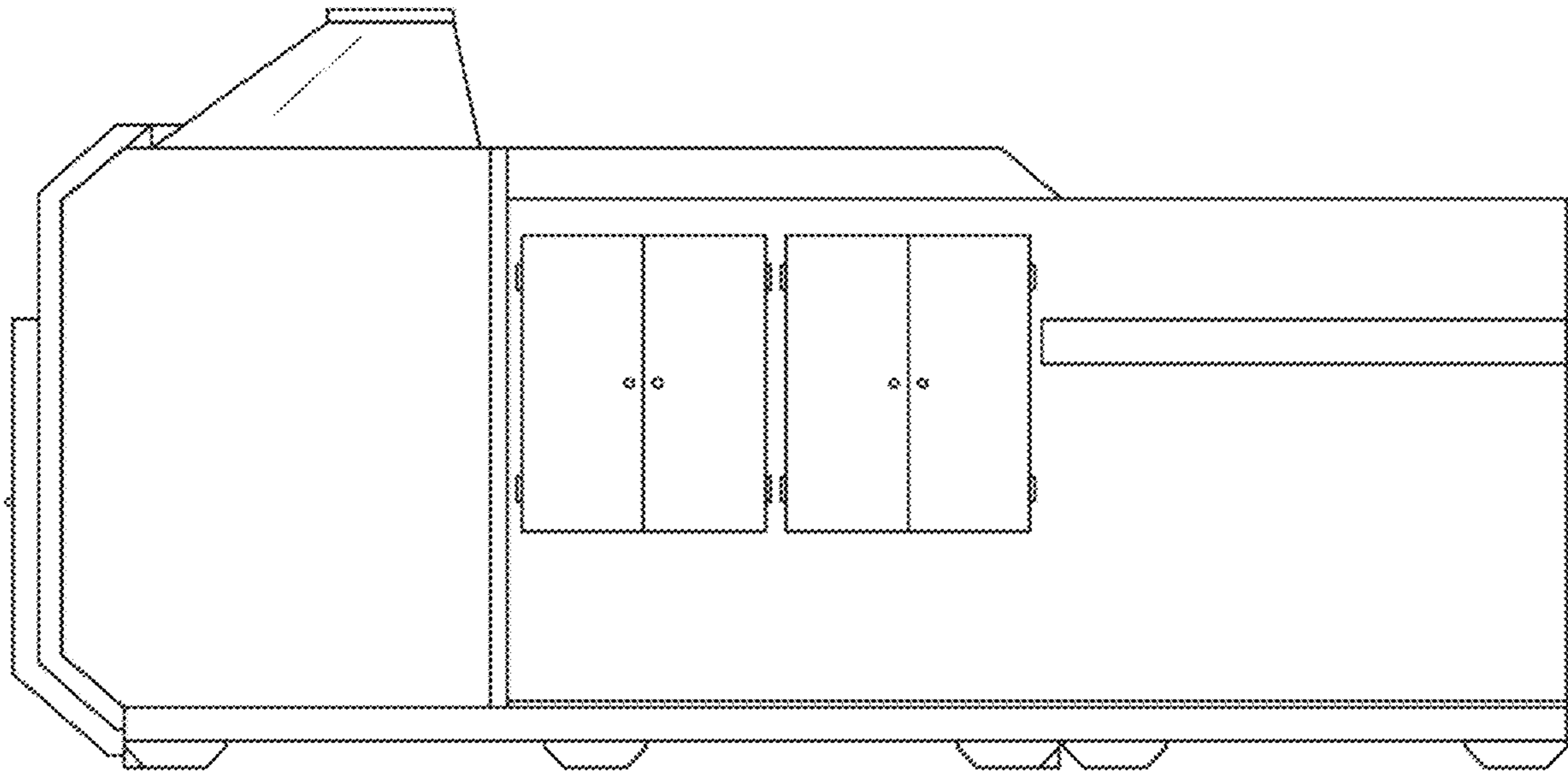


FIG. 5

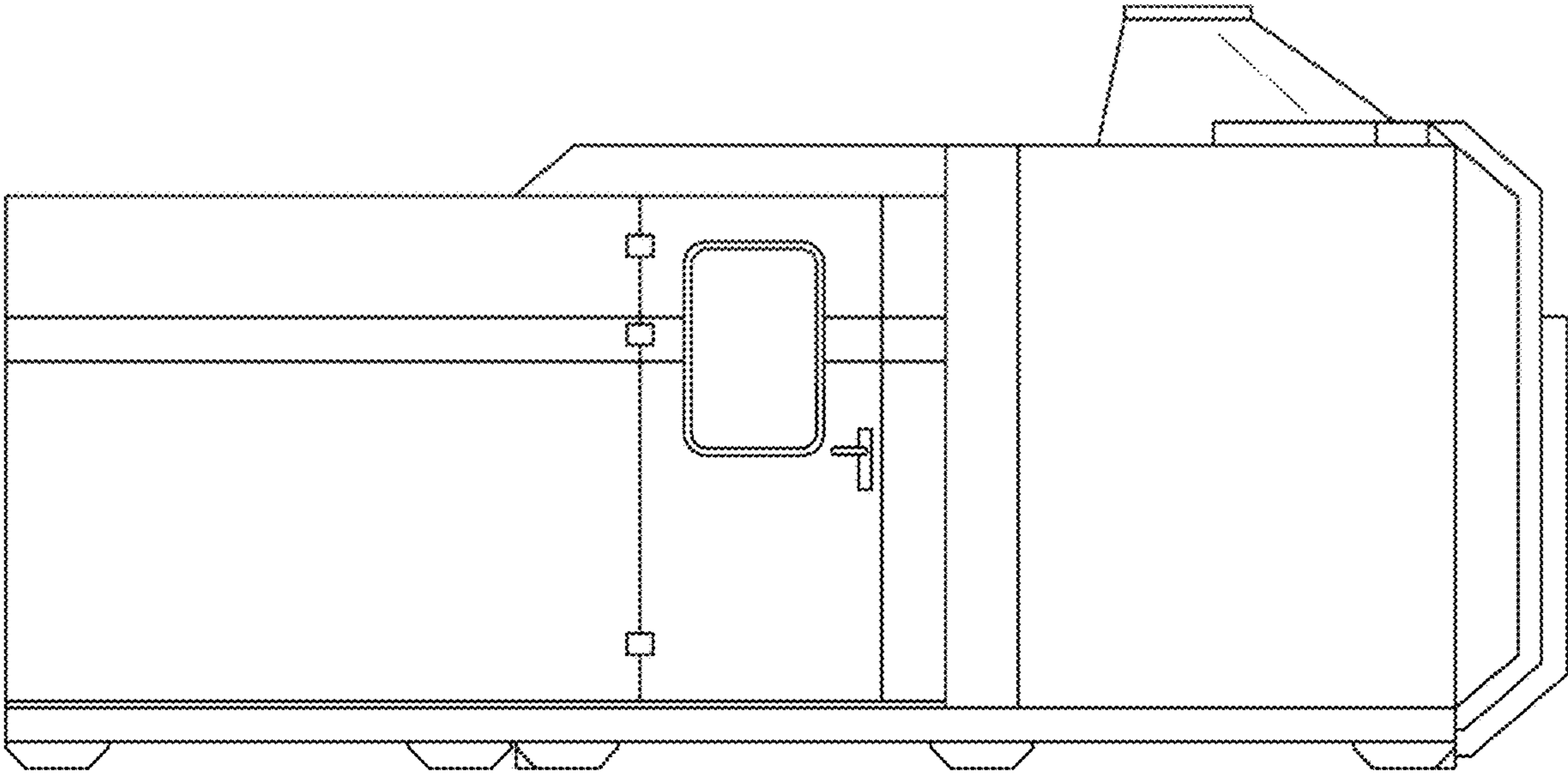


FIG. 6

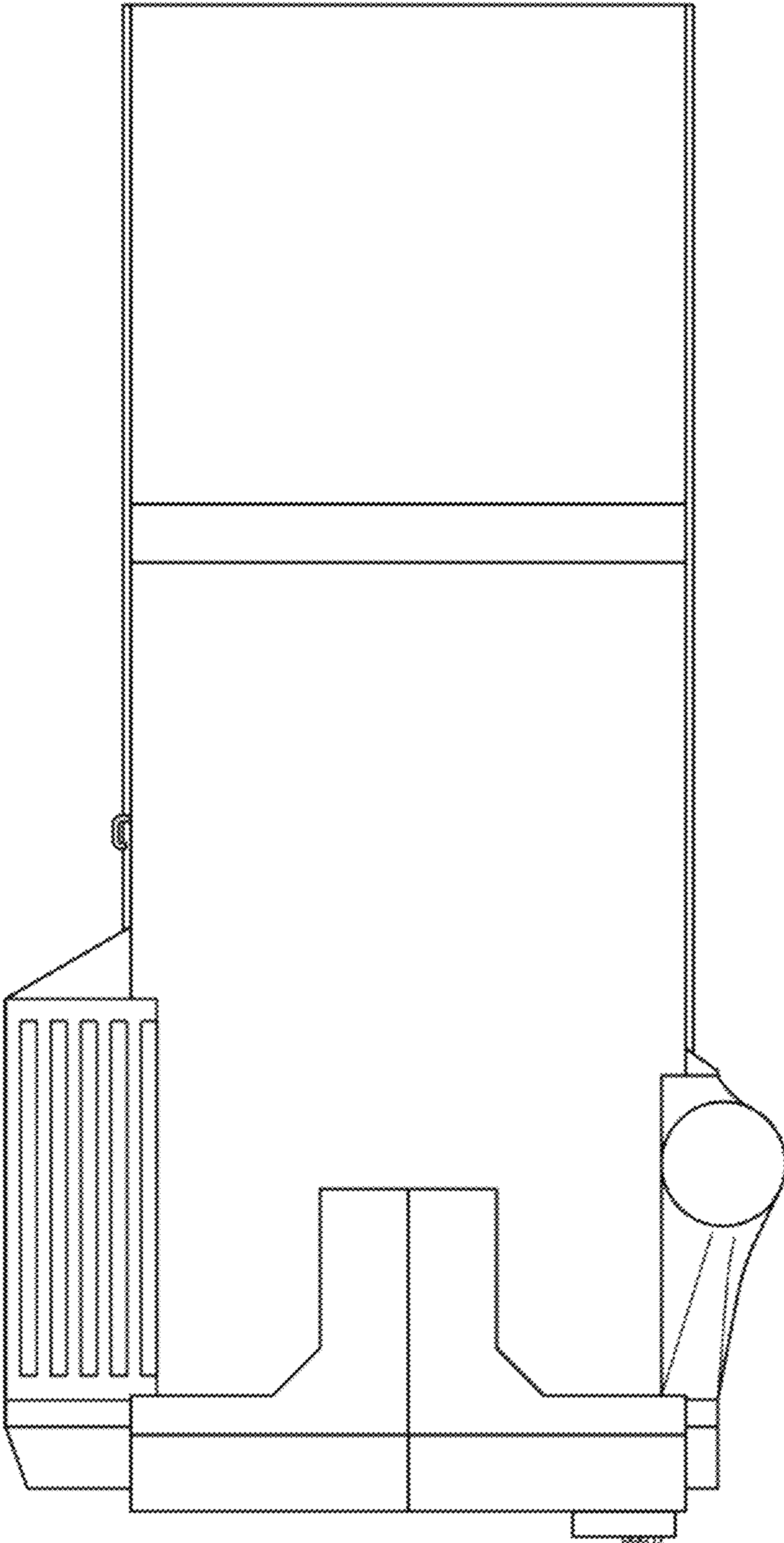


FIG. 7

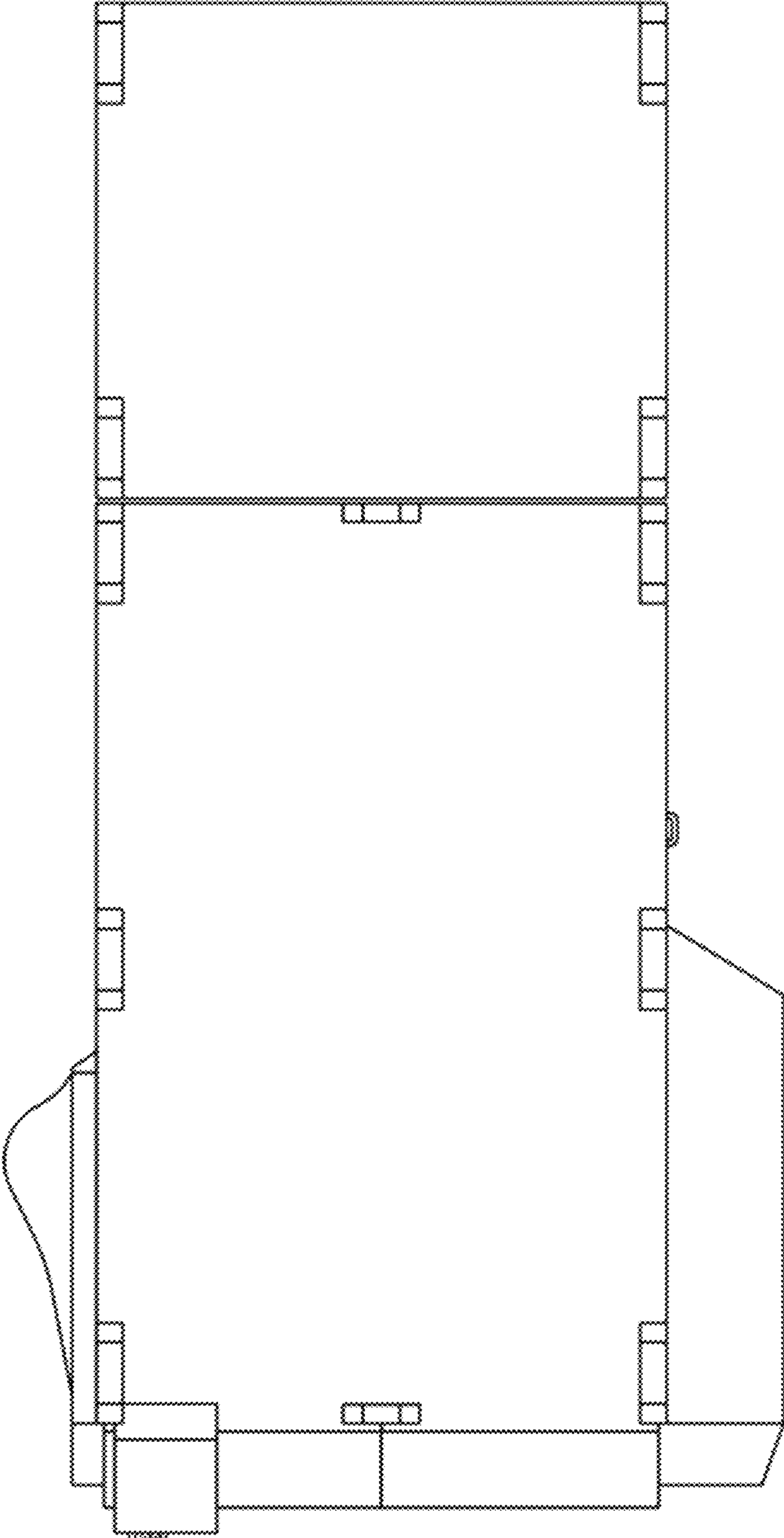


FIG. 8