



US00D873869S

(12) **United States Design Patent**
Lazzarini et al.

(10) **Patent No.:** **US D873,869 S**
(45) **Date of Patent:** **** Jan. 28, 2020**

(54) **MACHINE FOR MAKING ICE-CREAM**

(71) Applicant: **ALI GROUP S.r.l.—CARPIGIANI,**
Cernusco sul Naviglio (Milan) (IT)

(72) Inventors: **Roberto Lazzarini,** Reggio Emilia (IT);
Andrea Cocchi, Calderara di Reno (IT)

(73) Assignee: **ALI GROUP S.R.L.—CARPIGIANI,**
Cernusco sul (IT)

(**) Term: **15 Years**

(21) Appl. No.: **29/650,539**

(22) Filed: **Jun. 7, 2018**

(30) **Foreign Application Priority Data**

Dec. 22, 2017 (EM) 004563062

(51) **LOC (12) Cl.** **15-07**

(52) **U.S. Cl.**
USPC **D15/82**

(58) **Field of Classification Search**

USPC D15/79, 80, 81, 82, 89, 90; D7/300,
D7/303–311

CPC F25B 21/02; F25B 2321/02; F25B 1/005;
F25B 2321/0252; F25B 1/00; F25B 1/10;
F25B 21/04; F25B 2339/047; F25B 5/02;
F25B 7/00; F25B 13/00; F25B 1/053;
F25B 2309/06; F25B 2321/021; F25B
2321/023; F25D 23/028; F25D 23/02;
F25D 25/025; F25D 23/00; F25D
2323/021; F25D 11/00; F25D 2323/024;
F25D 23/04; F25D 29/00; F25D 25/02;
F25D 25/024; F25D 27/005; F25D 23/12;
F25D 29/005; F25D 17/042; F25D
2325/021

See application file for complete search history.

(56) **References Cited**

U.S. PATENT DOCUMENTS

D268,840 S * 5/1983 Reed D15/82
D305,973 S * 2/1990 Barnard D15/82
D307,754 S * 5/1990 Osrow D15/82

(Continued)

Primary Examiner — Khawaja Anwar

(74) *Attorney, Agent, or Firm* — Shuttleworth &
Ingersoll, PLC; Timothy Klima

(57) **CLAIM**

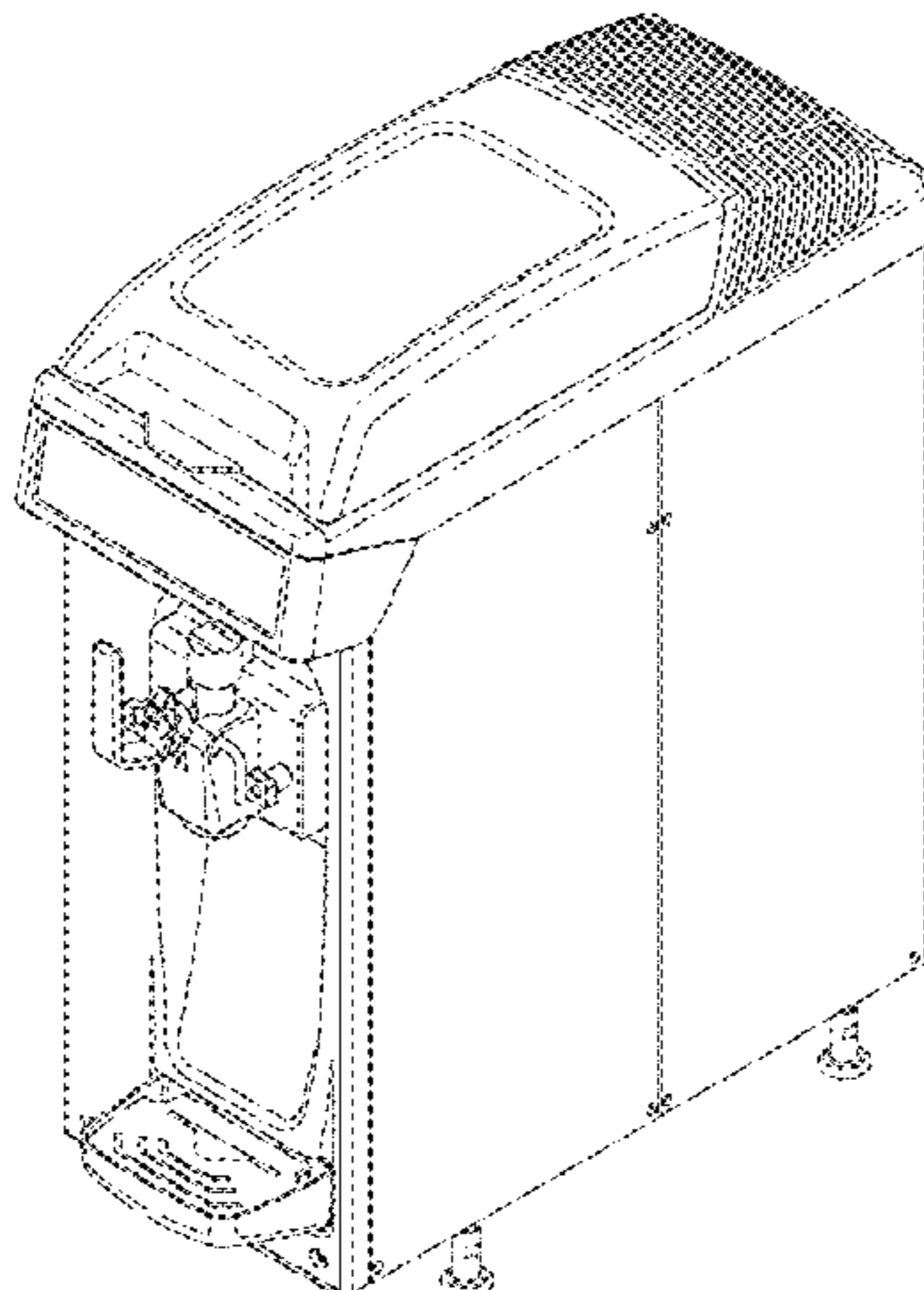
The ornamental design for a machine for making ice-cream,
as shown and described.

DESCRIPTION

FIG. 1 is a front perspective view of a machine for making ice-cream, according to the invention;
FIG. 2 is a front view thereof;
FIG. 3 is a right side view thereof;
FIG. 4 is a left side view thereof;
FIG. 5 is a rear view thereof;
FIG. 6 is a top view thereof;
FIG. 7 is a bottom view thereof;
FIG. 8 is a front perspective view of a machine for making ice-cream, according to the invention;
FIG. 9 is a front view thereof;
FIG. 10 is a right side view thereof;
FIG. 11 is a left side view thereof;
FIG. 12 is a rear view thereof;
FIG. 13 is a top view thereof;
FIG. 14 is a bottom view thereof;
FIG. 15 is a front perspective view of a machine for making ice-cream, according to the invention;
FIG. 16 is a front view thereof;
FIG. 17 is a right side view thereof;
FIG. 18 is a left side view thereof;
FIG. 19 is a rear view thereof;
FIG. 20 is a top view thereof; and,
FIG. 21 is a bottom view thereof.

Any broken lines in the figures illustrate portions of the machine for making ice-cream that form no part of the claimed design.

1 Claim, 21 Drawing Sheets



(56)

References Cited

U.S. PATENT DOCUMENTS

D485,566 S *	1/2004	Ledingham	D15/82
D535,668 S *	1/2007	Moore	D15/82
D569,879 S *	5/2008	Rousselin	D15/80
D651,619 S *	1/2012	Salin	D15/82
D662,526 S *	6/2012	Tulisi	D15/82
D689,102 S *	9/2013	Ugolini	D15/82
D694,287 S *	11/2013	Salin	D15/82
D760,305 S *	6/2016	Salin	D15/82
D789,141 S *	6/2017	Mohammed	D15/82
D848,212 S *	5/2019	Mohammed	D7/397

* cited by examiner

FIG. 1

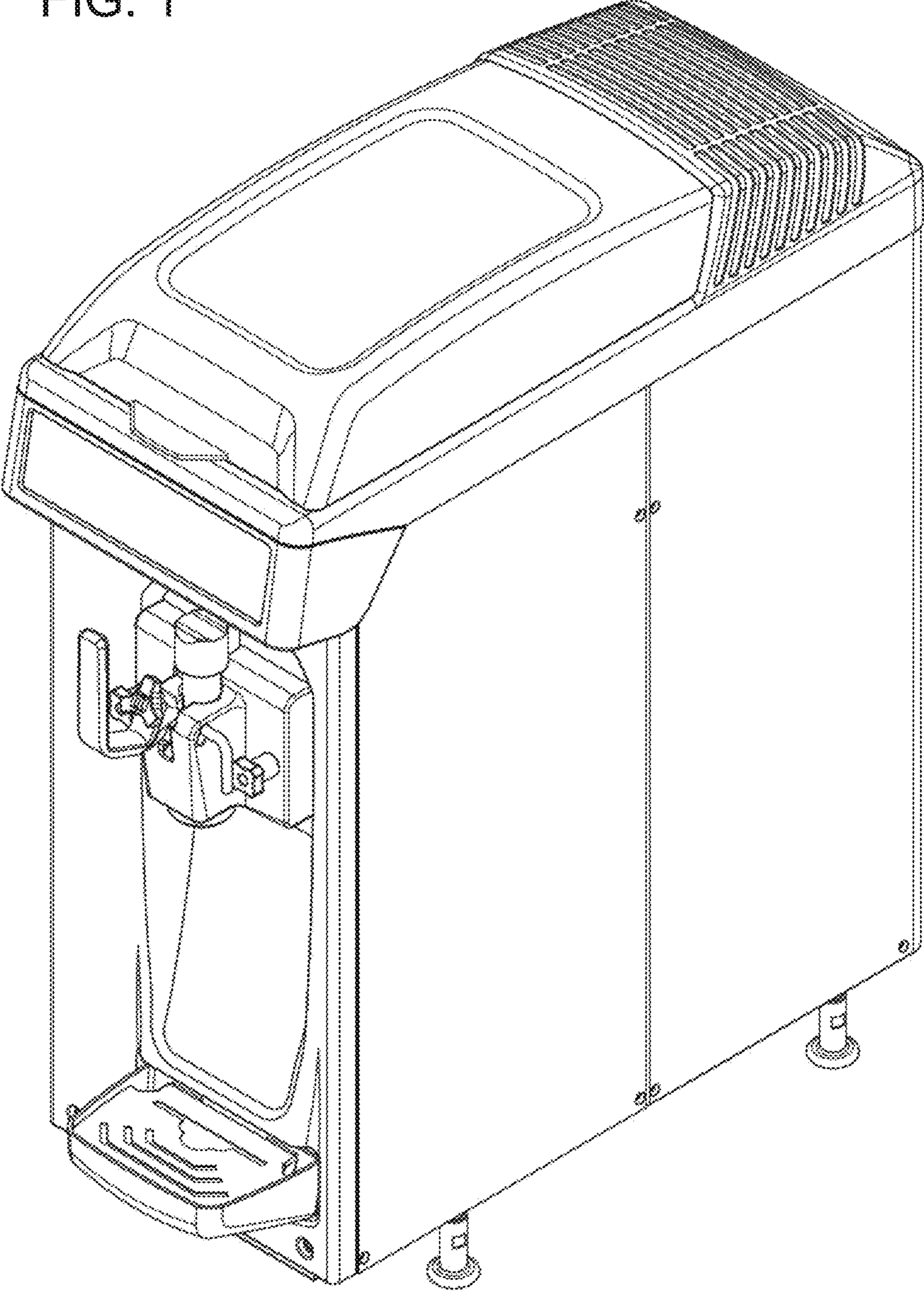


FIG. 2

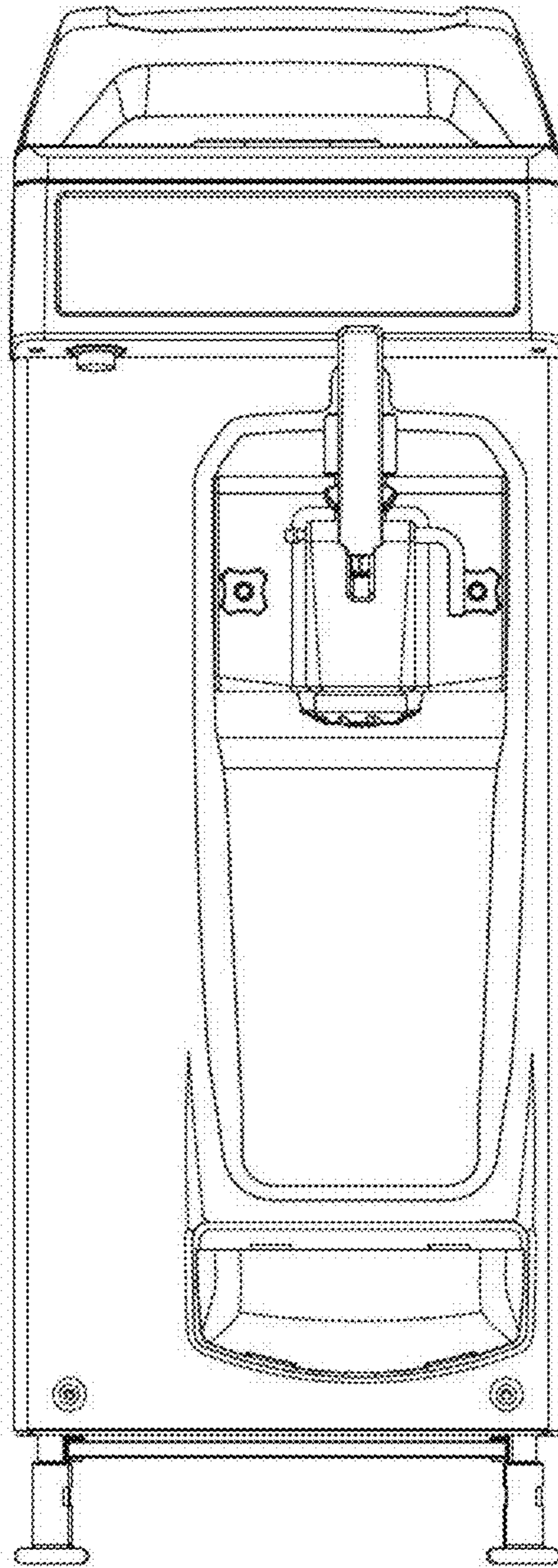


FIG. 3

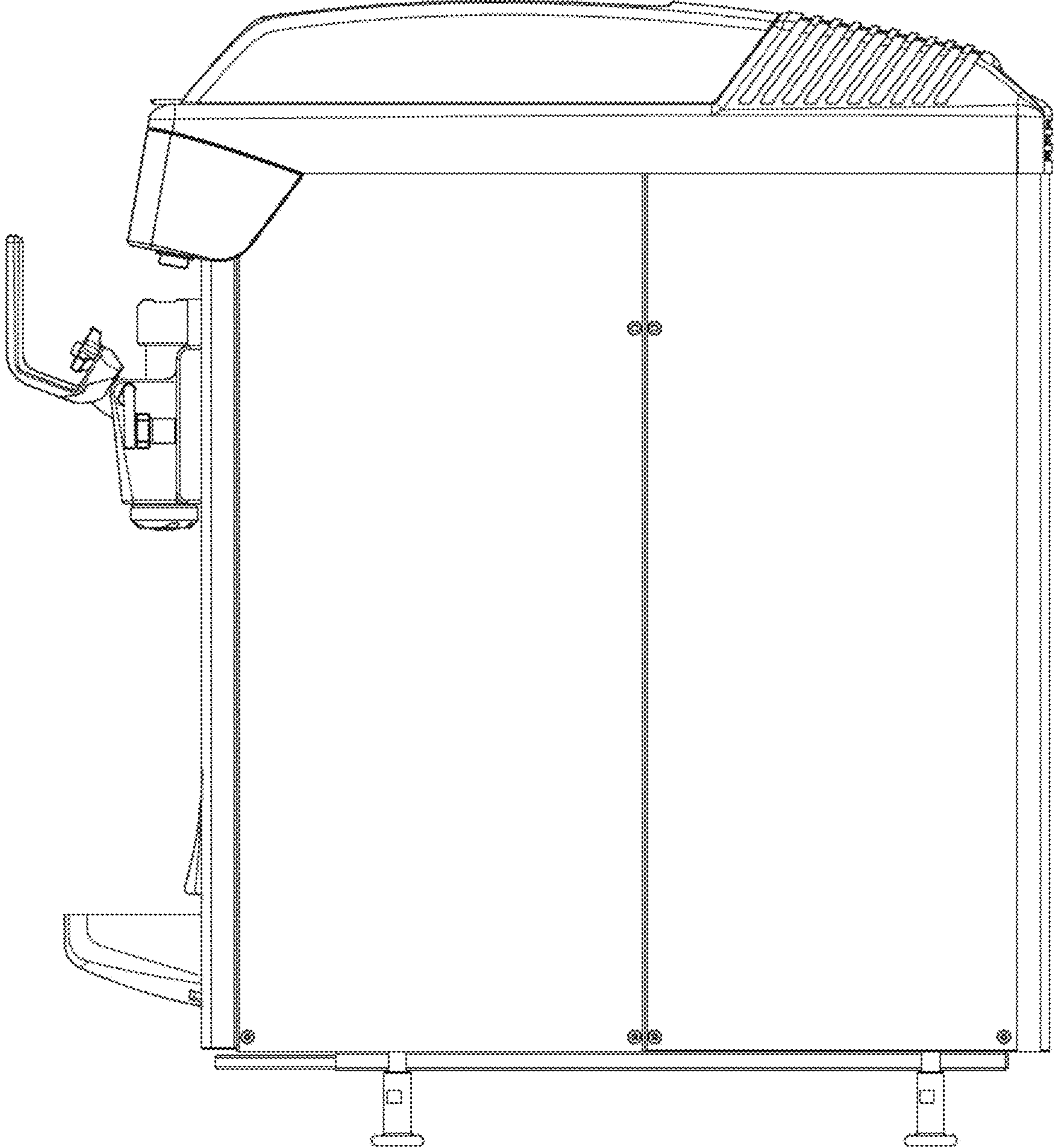


FIG. 4

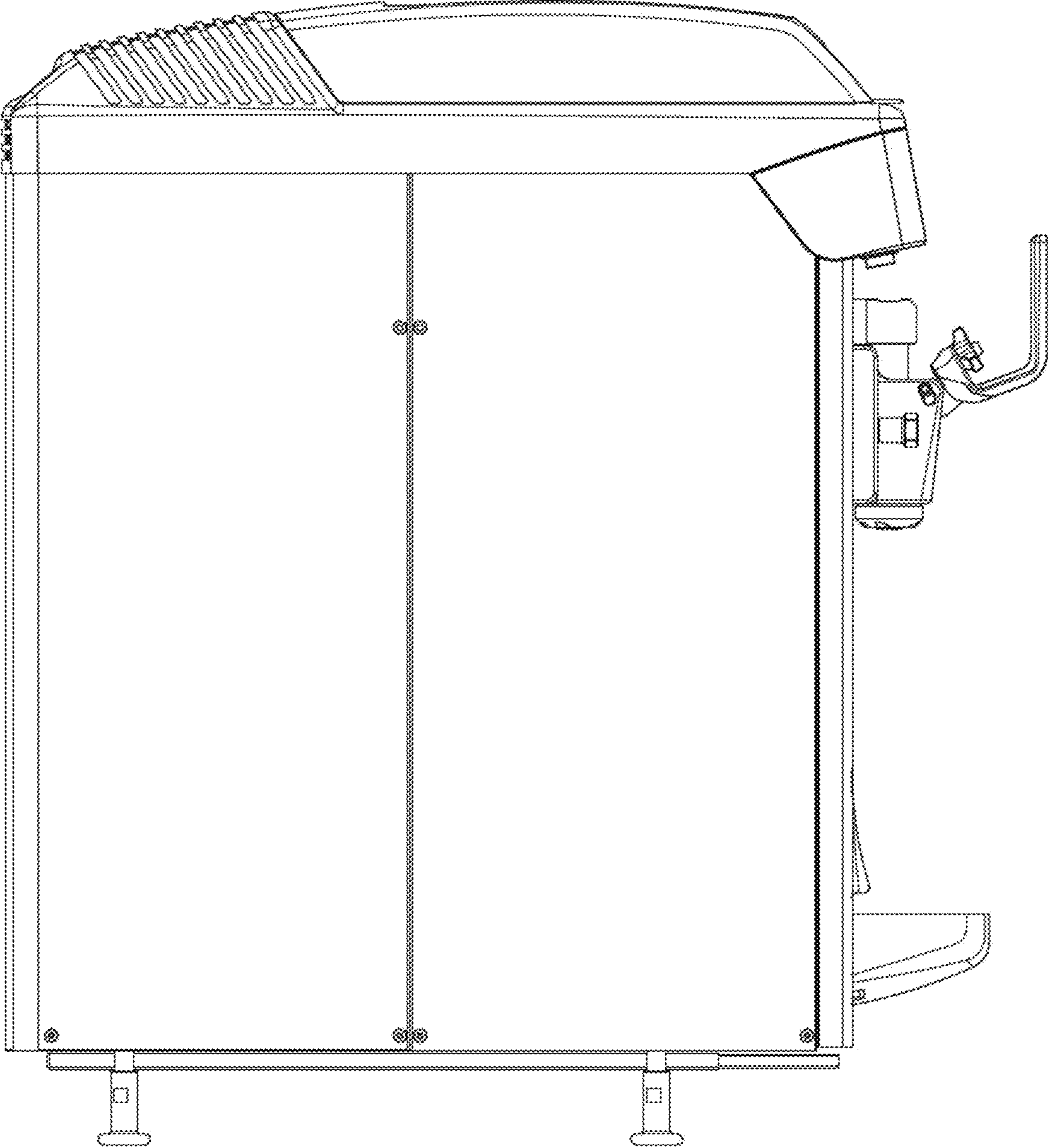


FIG. 5

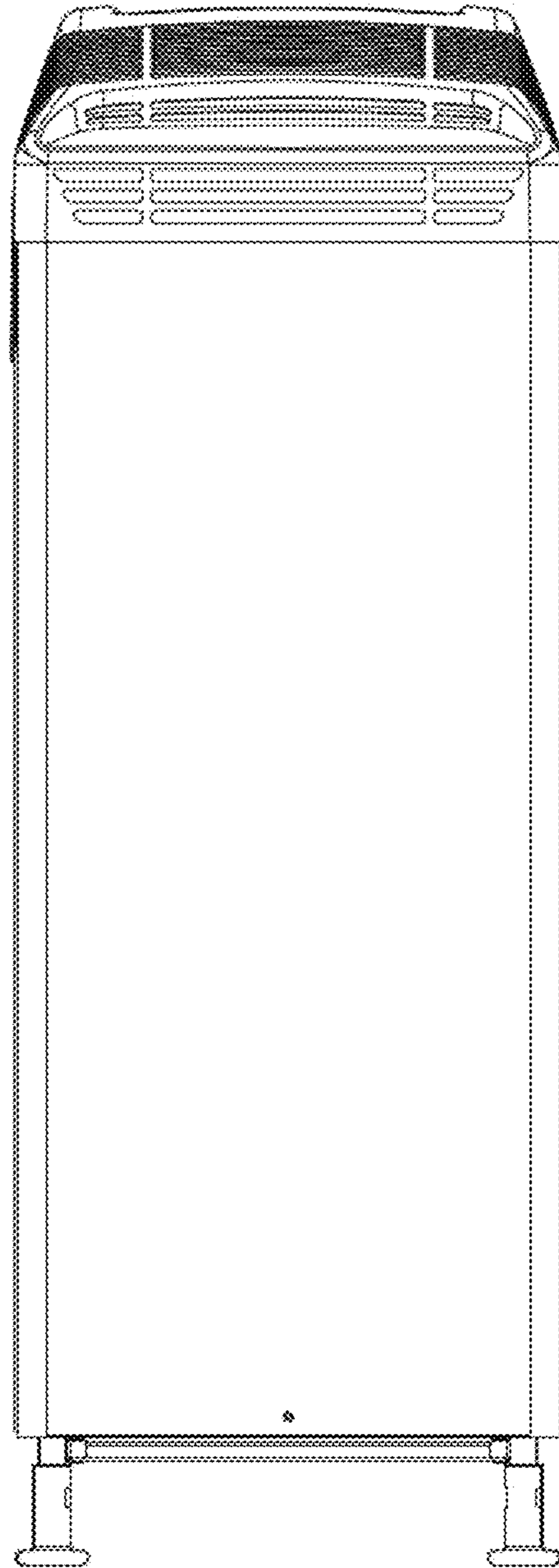


FIG. 6

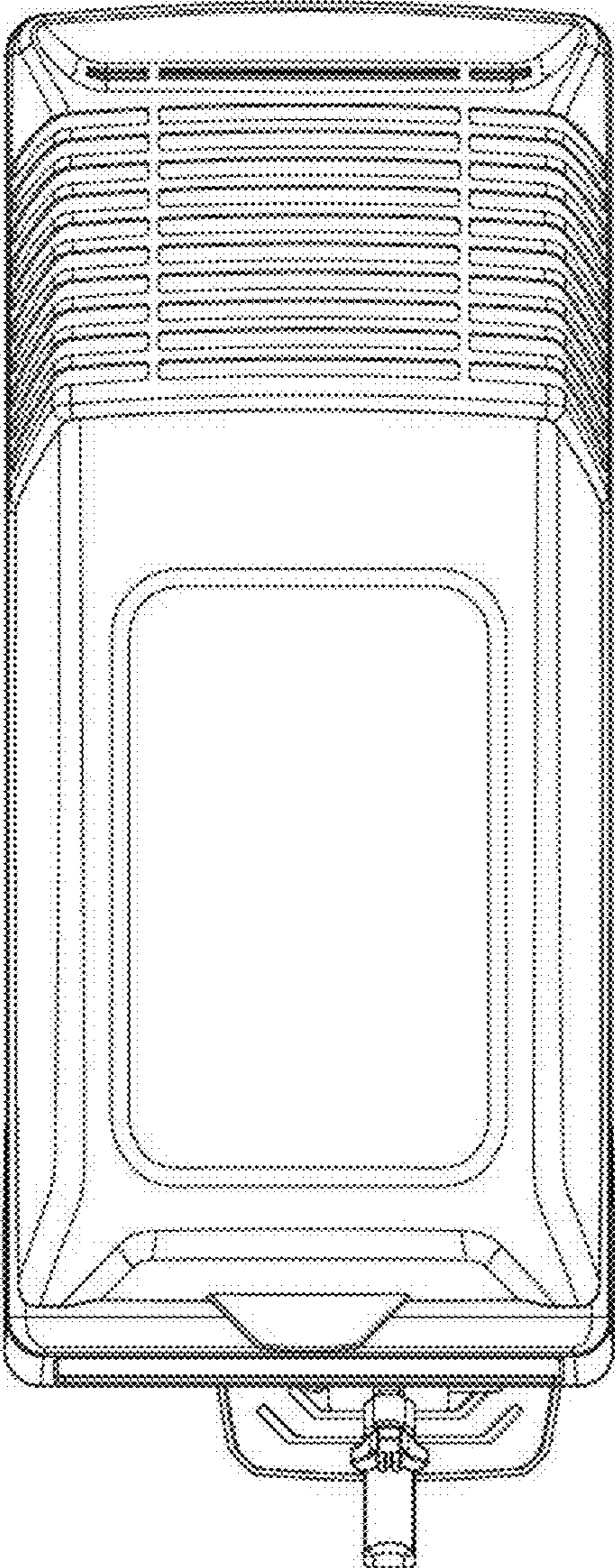


FIG. 7

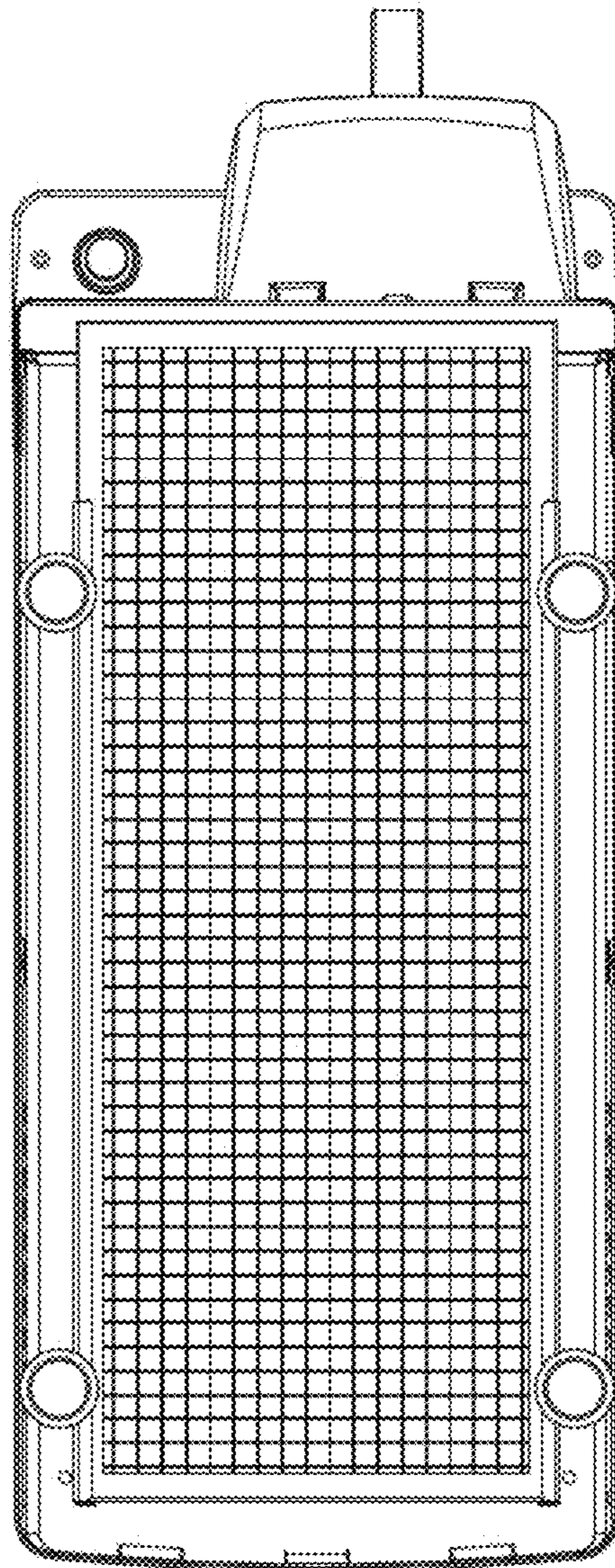


FIG. 8

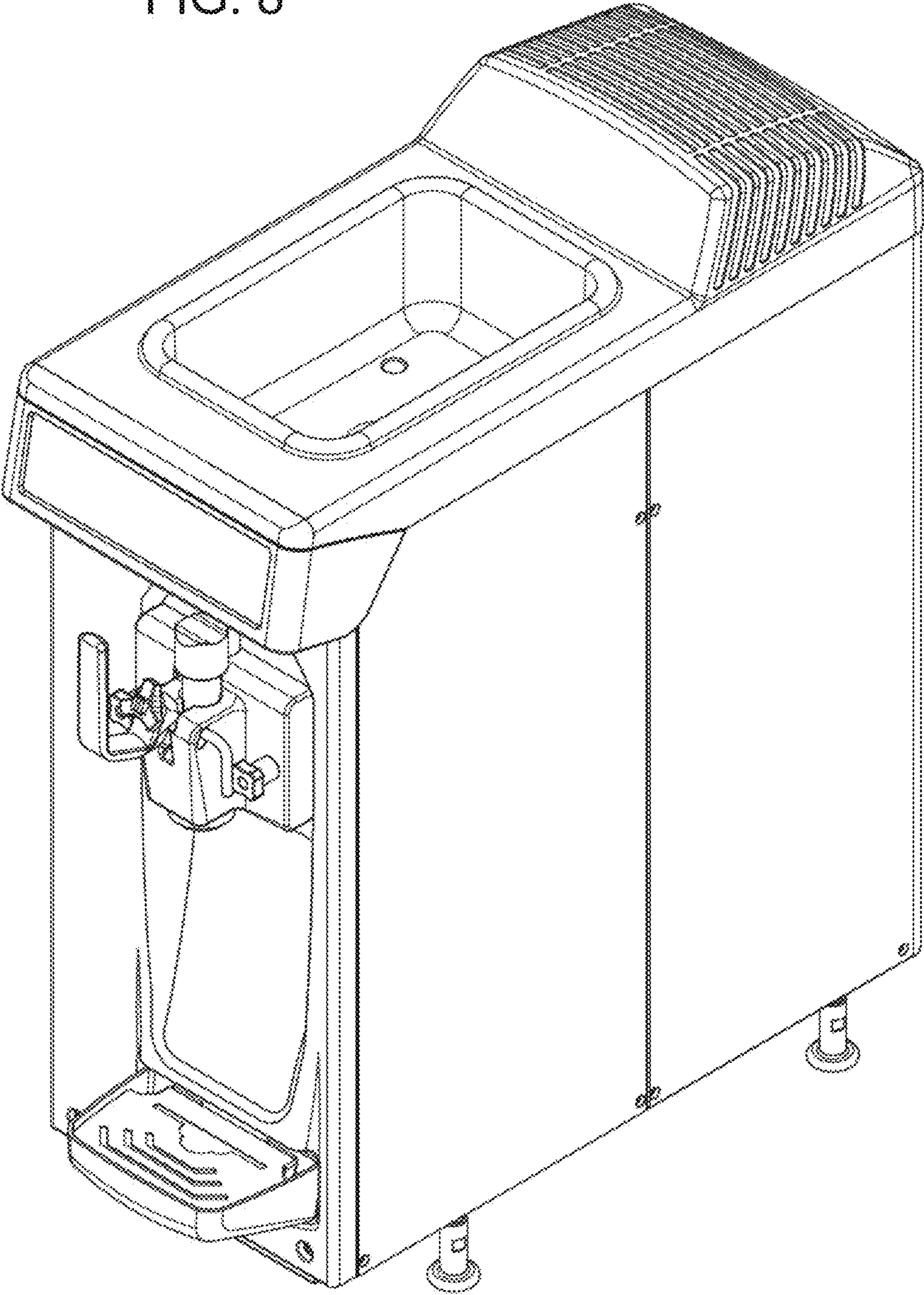


FIG. 9

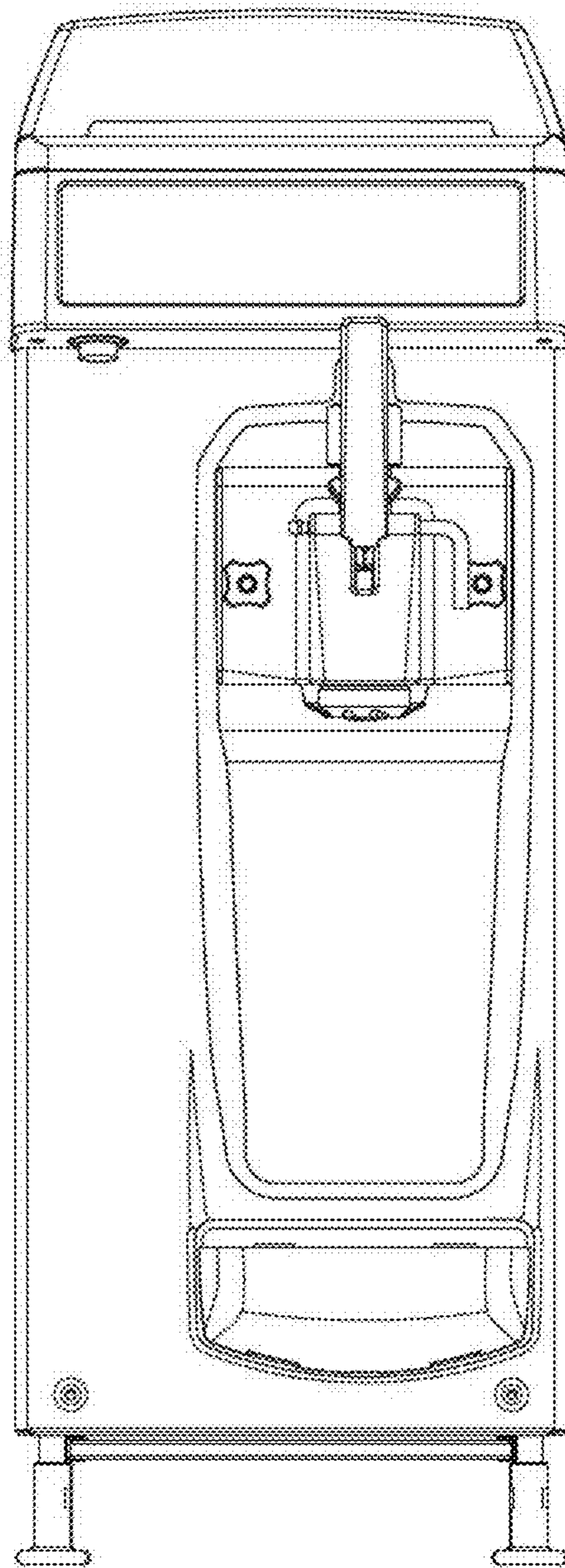


FIG. 10

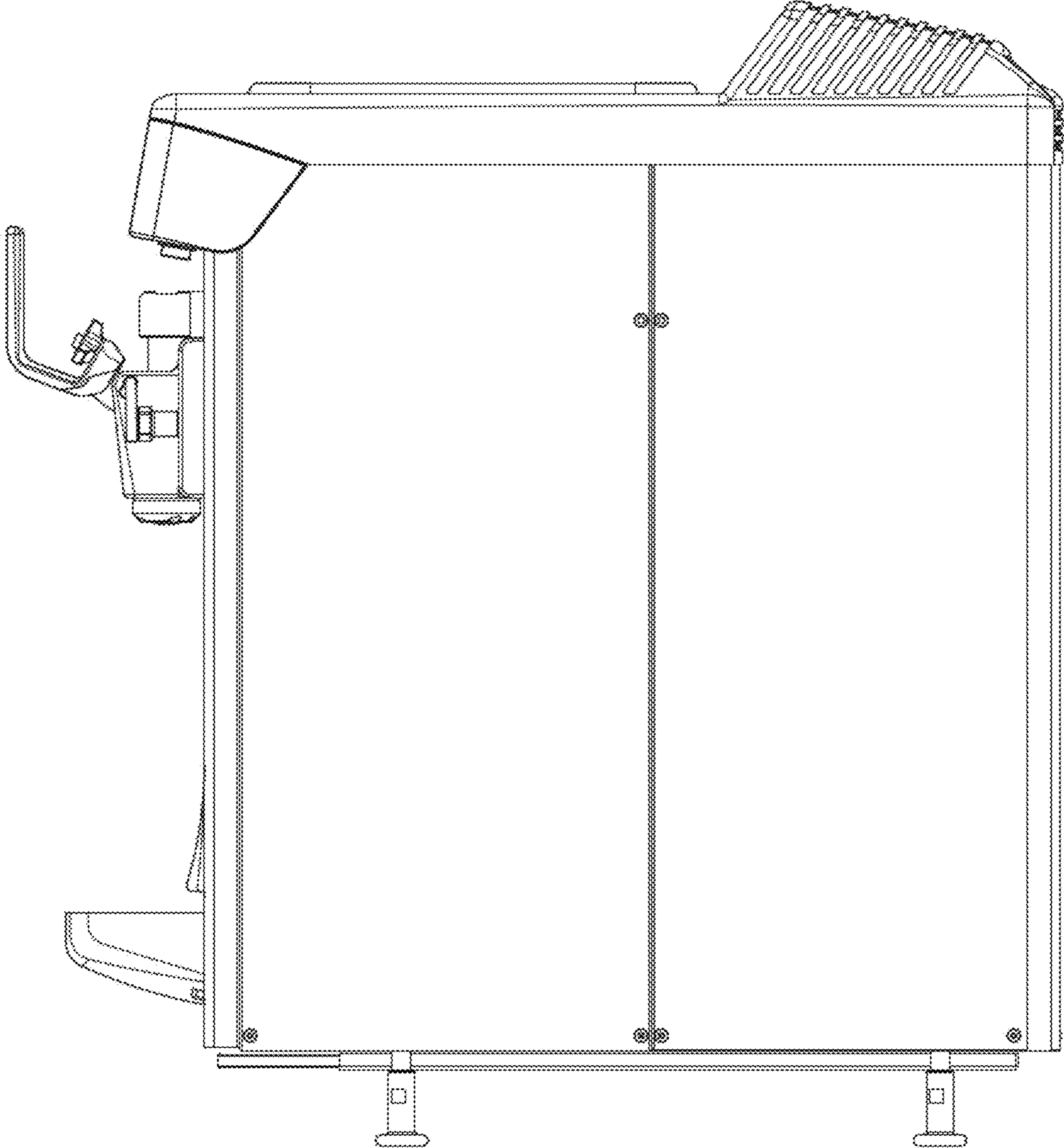


FIG. 11

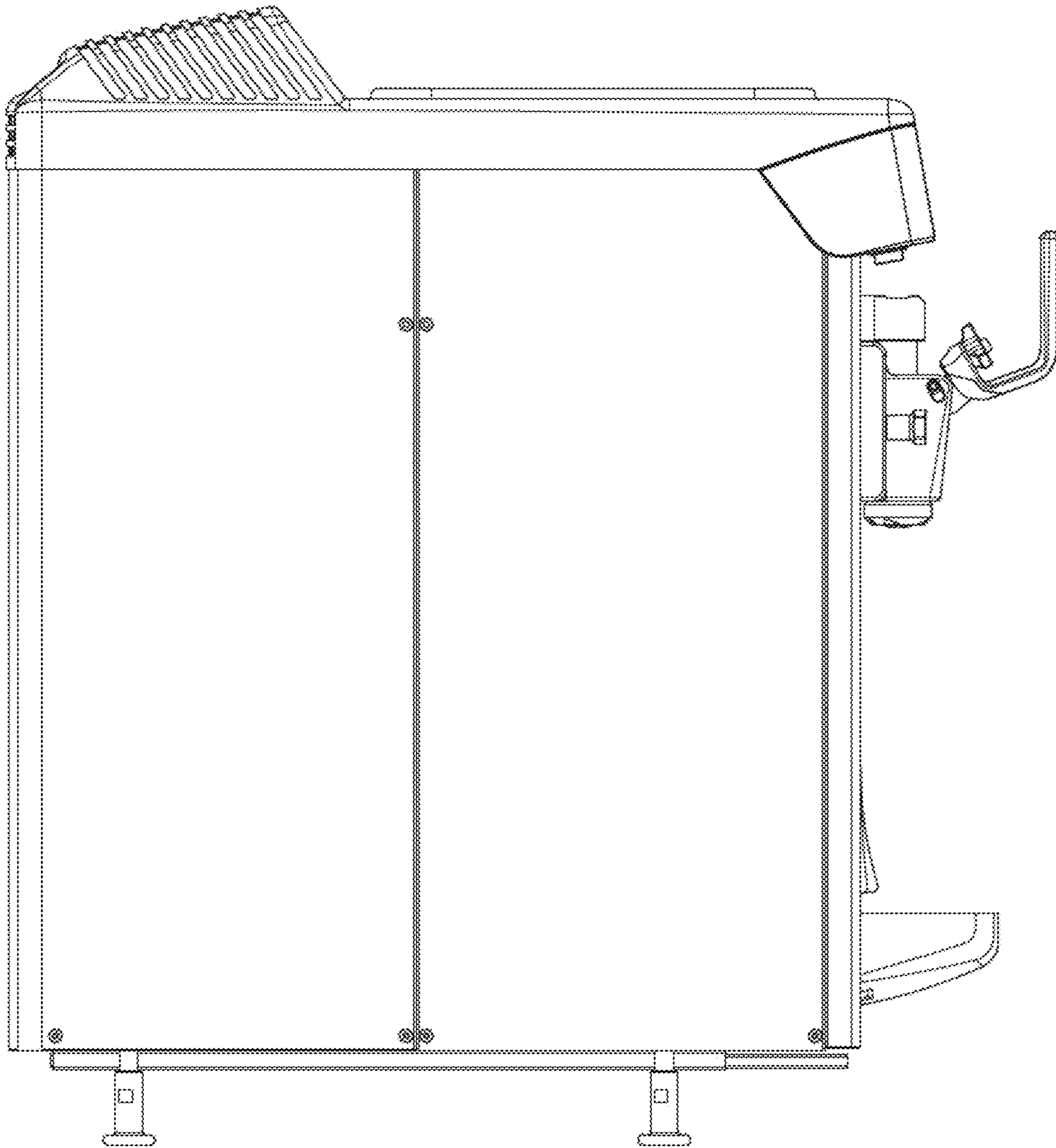


FIG. 12

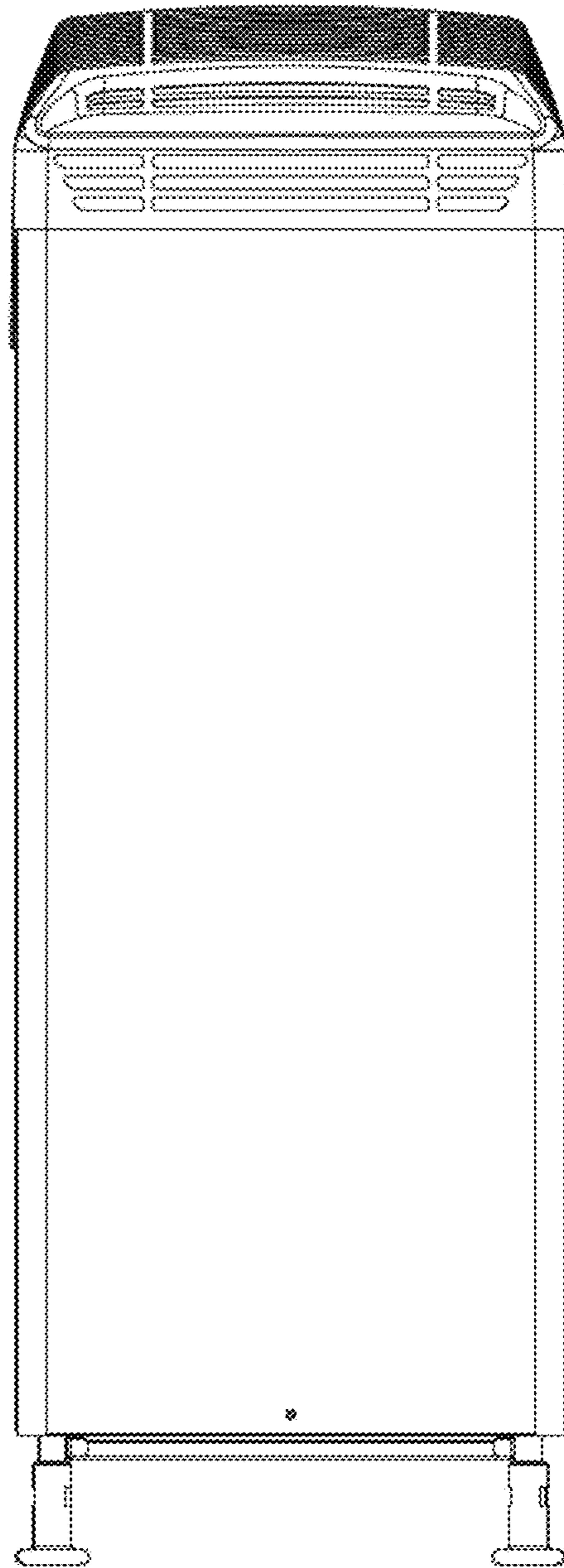


FIG. 13

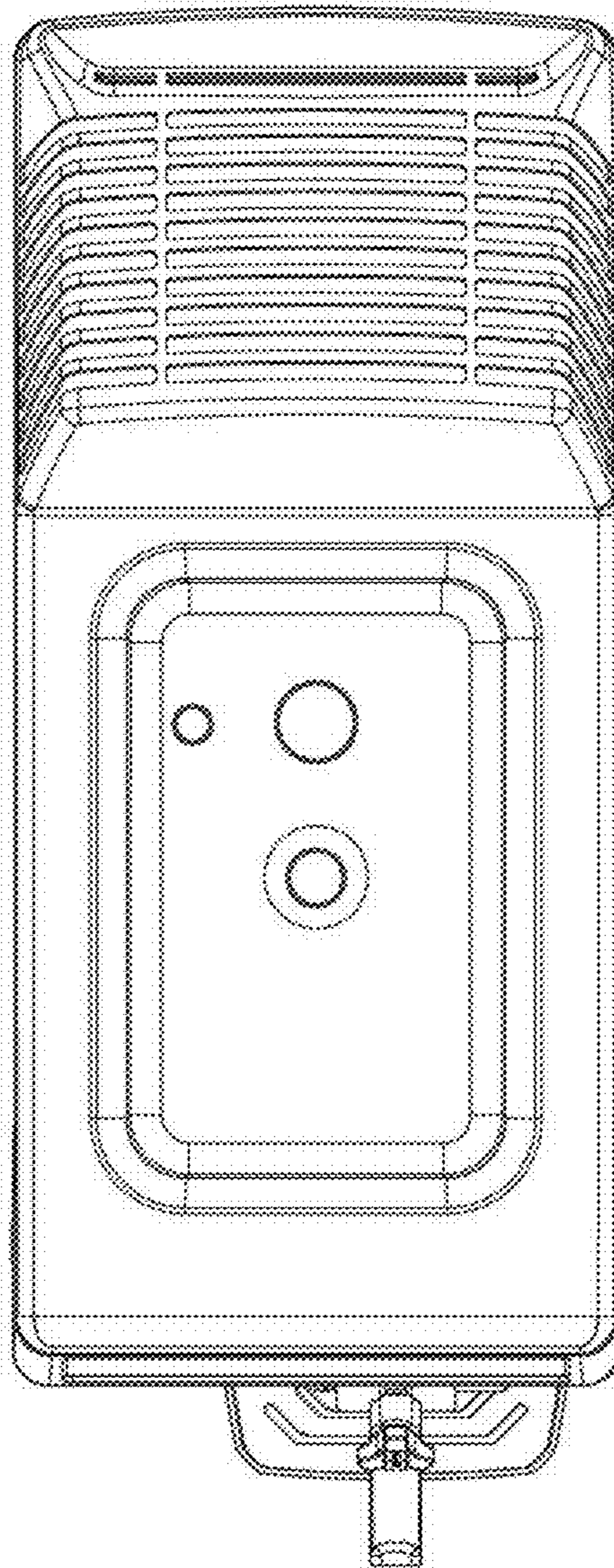


FIG. 14

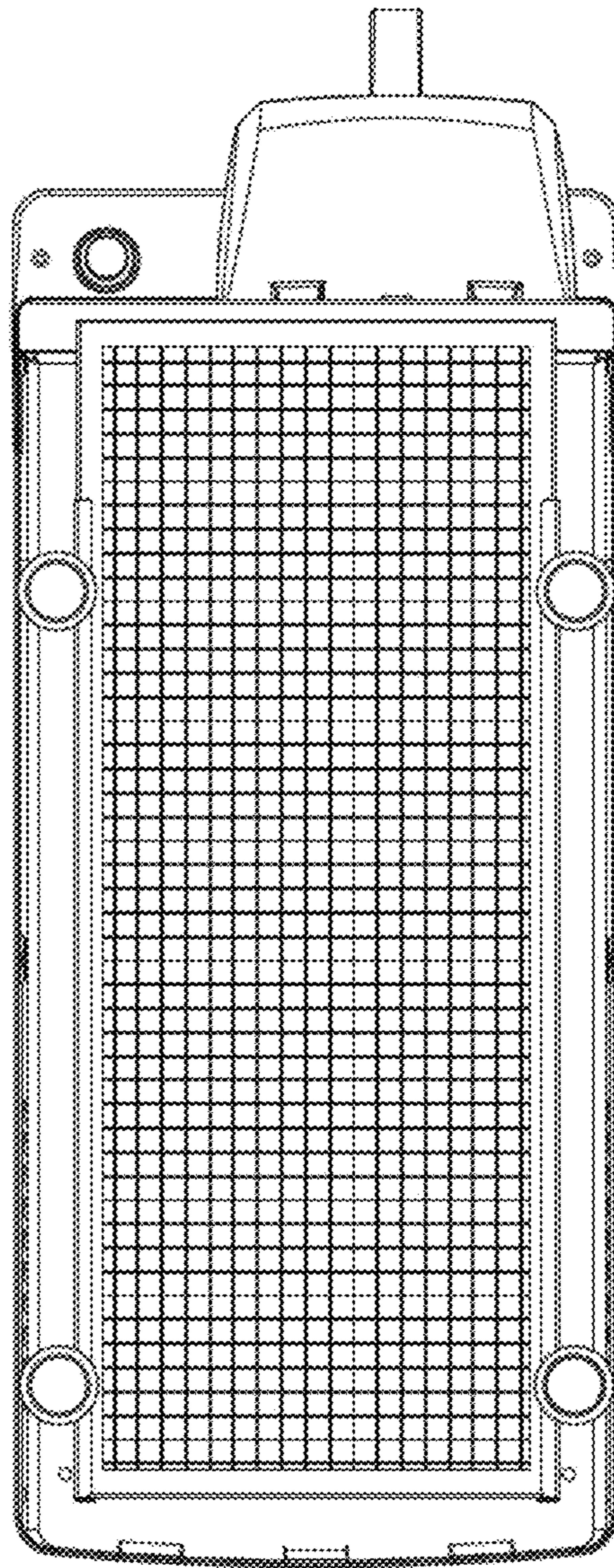


FIG. 15

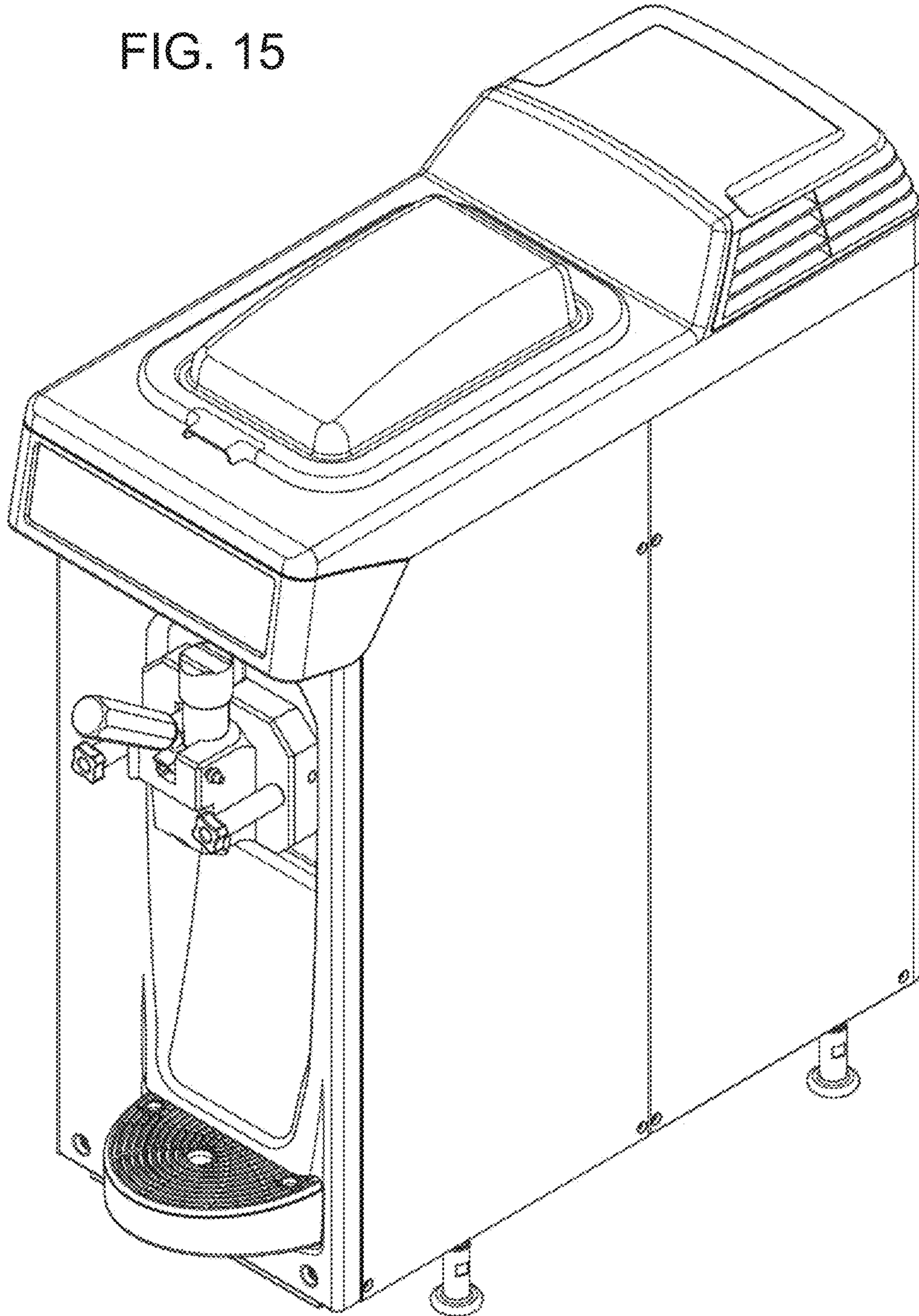


FIG. 16

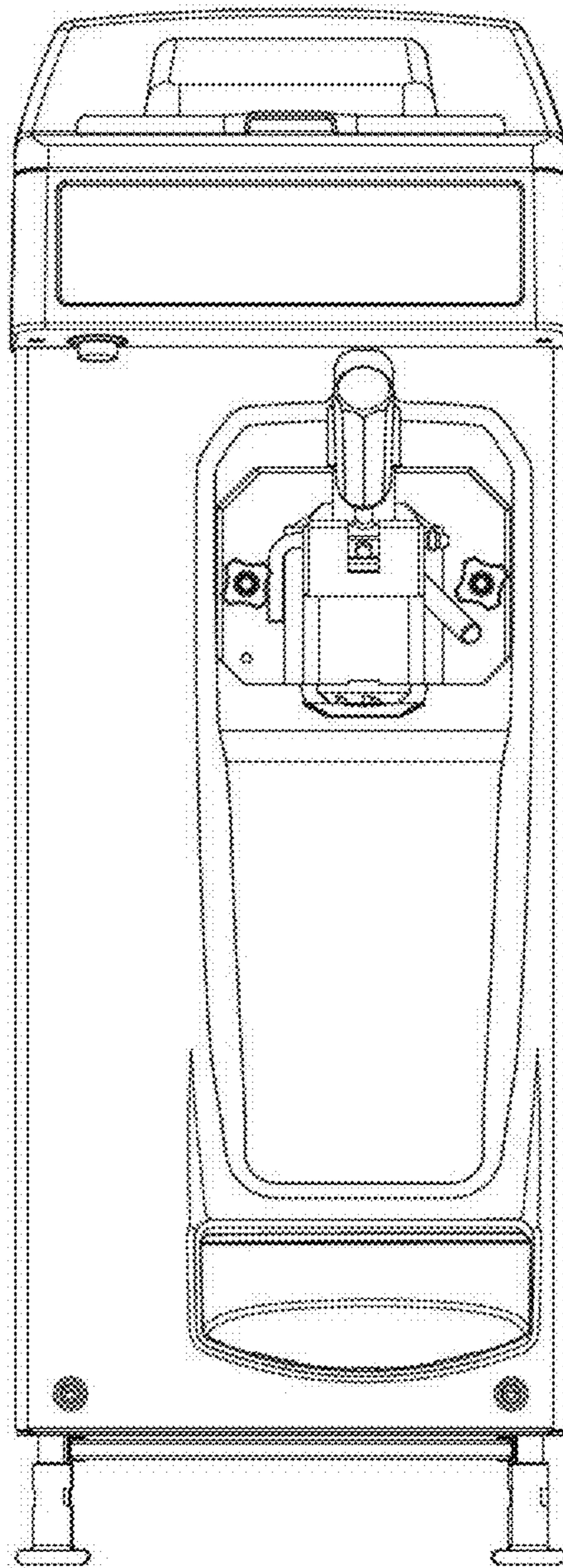


FIG. 17

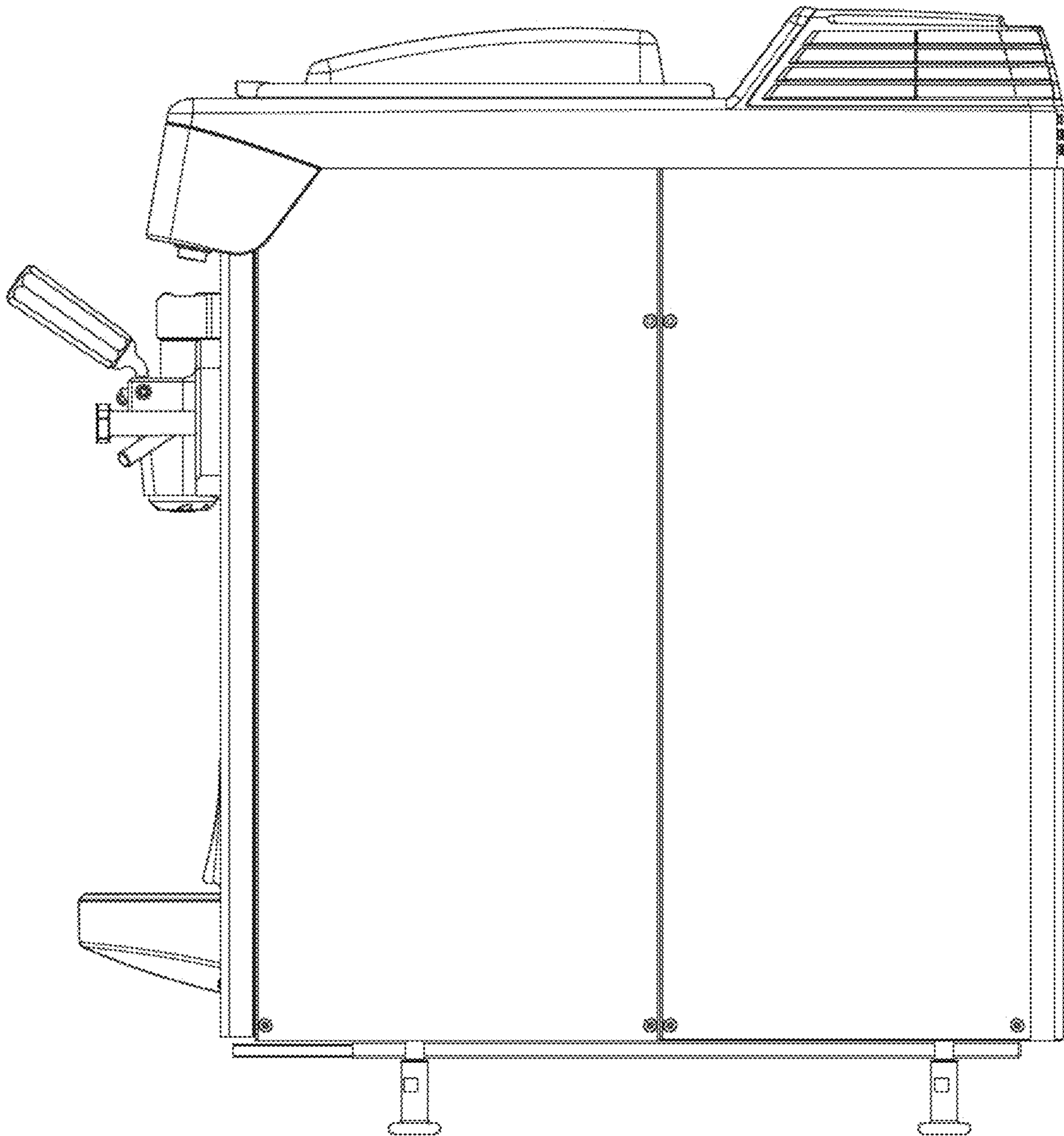


FIG. 18

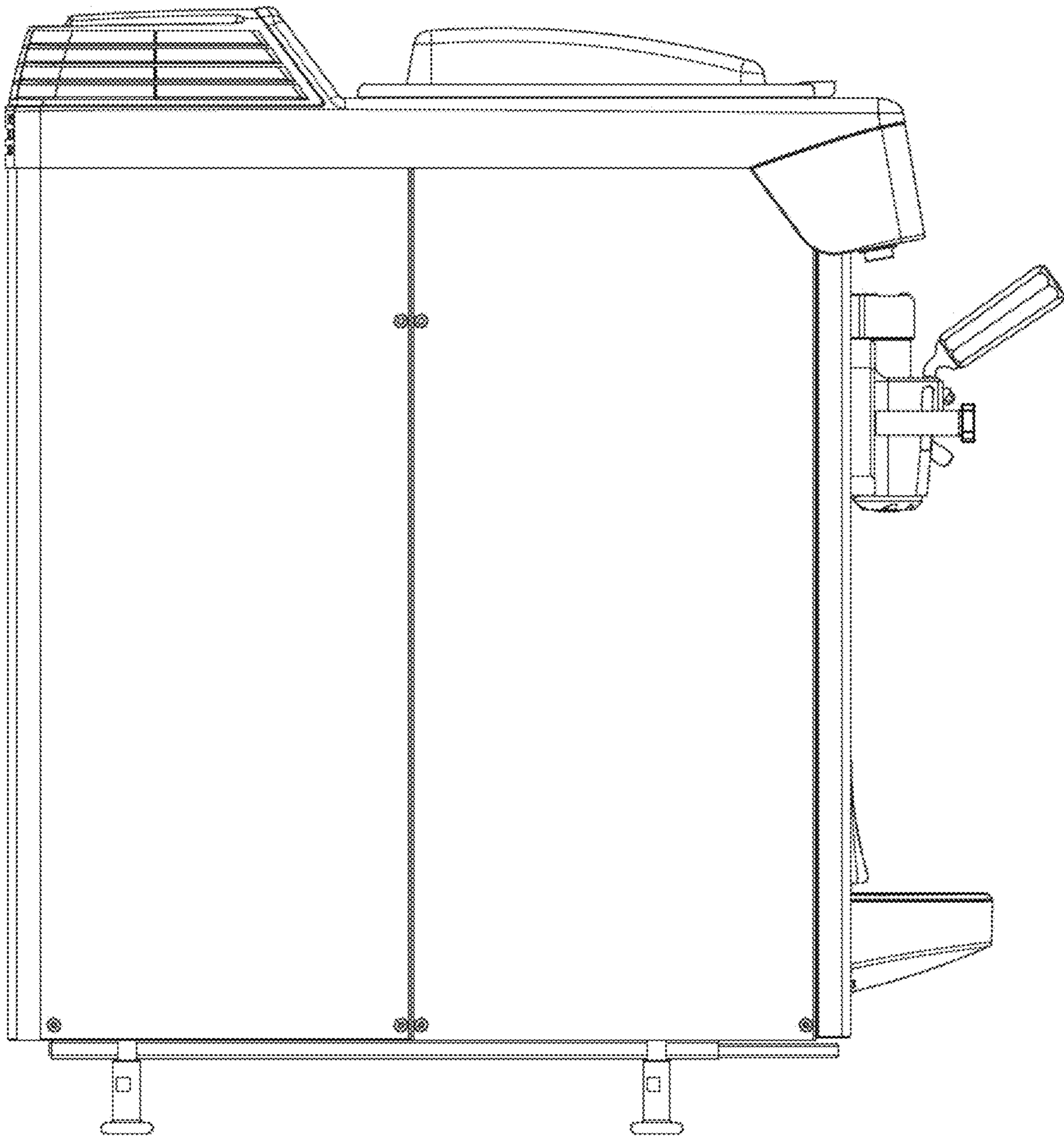


FIG. 19

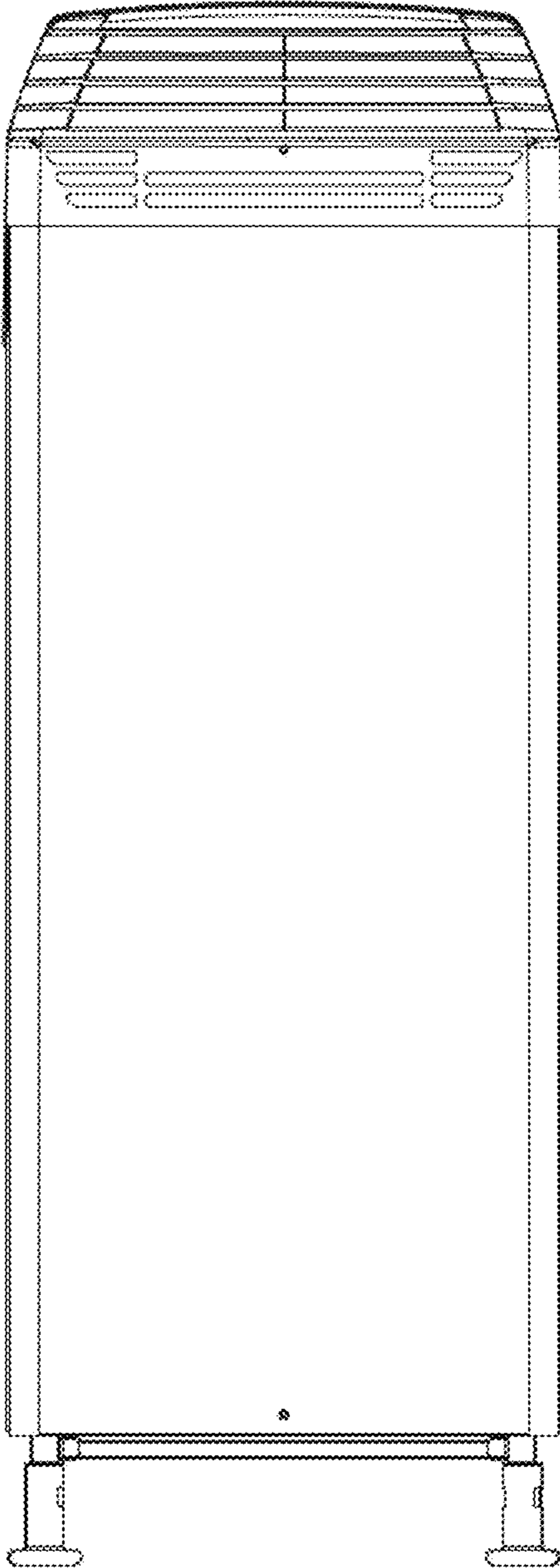


FIG. 20

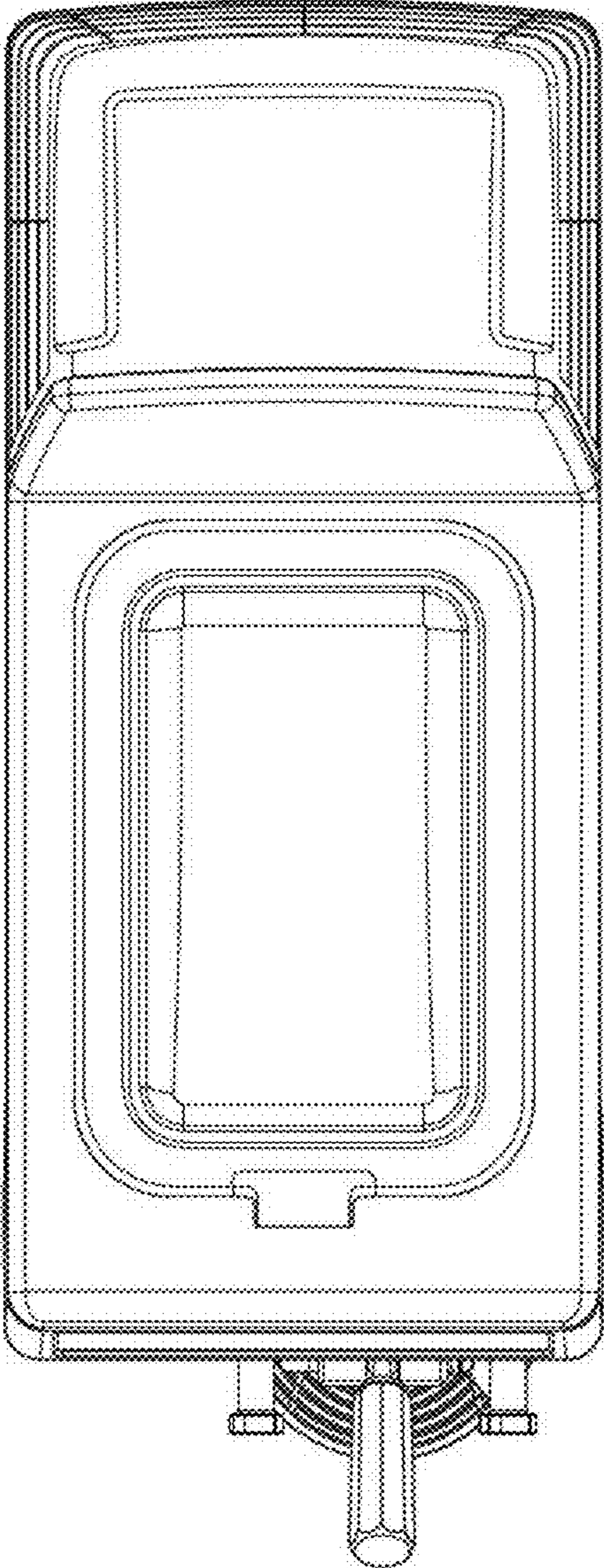


FIG. 21

