

US00D873866S

(12) **United States Design Patent**
Jensen

(10) **Patent No.:** **US D873,866 S**
(45) **Date of Patent:** **** Jan. 28, 2020**

(54) **LAWN MOWER BLADE**
(71) Applicant: **Clayton Jensen**, Maryfield (CA)
(72) Inventor: **Clayton Jensen**, Maryfield (CA)
(**) Term: **15 Years**
(21) Appl. No.: **29/665,737**
(22) Filed: **Oct. 5, 2018**

(30) **Foreign Application Priority Data**

Apr. 11, 2018 (CA) 180784

(51) **LOC (12) Cl.** **15-03**

(52) **U.S. Cl.**
USPC **D15/17**

(58) **Field of Classification Search**
USPC D15/14, 17, 28; D8/4-12, 16, 20
CPC A01D 34/67; A01D 34/69; A01D 34/4116;
A01D 34/4168; A01D 34/47; A01D
34/53; A01D 34/005; A01D 34/03; A01D
34/412; A01D 34/416; A01D 34/4165;
A01D 34/00; A01D 34/43; A01D 34/63;
A01D 34/661; A01D 34/664; A01D
34/73; A01D 34/006; A01D 34/64; A01D
34/82; A01D 34/001; A01D 34/008;
A01D 34/828; A01D 34/74; A01D 34/78;
A01D 34/824; A01D 2101/00; A01D
43/063; A01D 43/077; A01D 43/14;
A01D 42/005; A01D 42/04; Y10S 56/17;
Y10S 56/20

See application file for complete search history.

(56) **References Cited**

U.S. PATENT DOCUMENTS

5,343,681 A * 9/1994 de Jong A01D 34/736
56/255
D449,054 S * 10/2001 Neuerburg D15/17

D526,334 S * 8/2006 Tapper D15/17
D627,797 S * 11/2010 Neuerburg D15/17
D633,110 S * 2/2011 Neuerburg D15/17
D640,288 S * 6/2011 Shimbashi D15/17
D695,790 S 12/2013 Carra
D759,126 S * 6/2016 Johnson A01D 34/736
D15/17
D767,639 S * 9/2016 Johnson D15/17
D768,727 S * 10/2016 Johnson D15/17
D801,394 S 10/2017 Southwell et al.
D812,443 S * 3/2018 Gonzalez D8/20

* cited by examiner

Primary Examiner — Mark A Goodwin

(74) *Attorney, Agent, or Firm* — Bennett Jones LLP

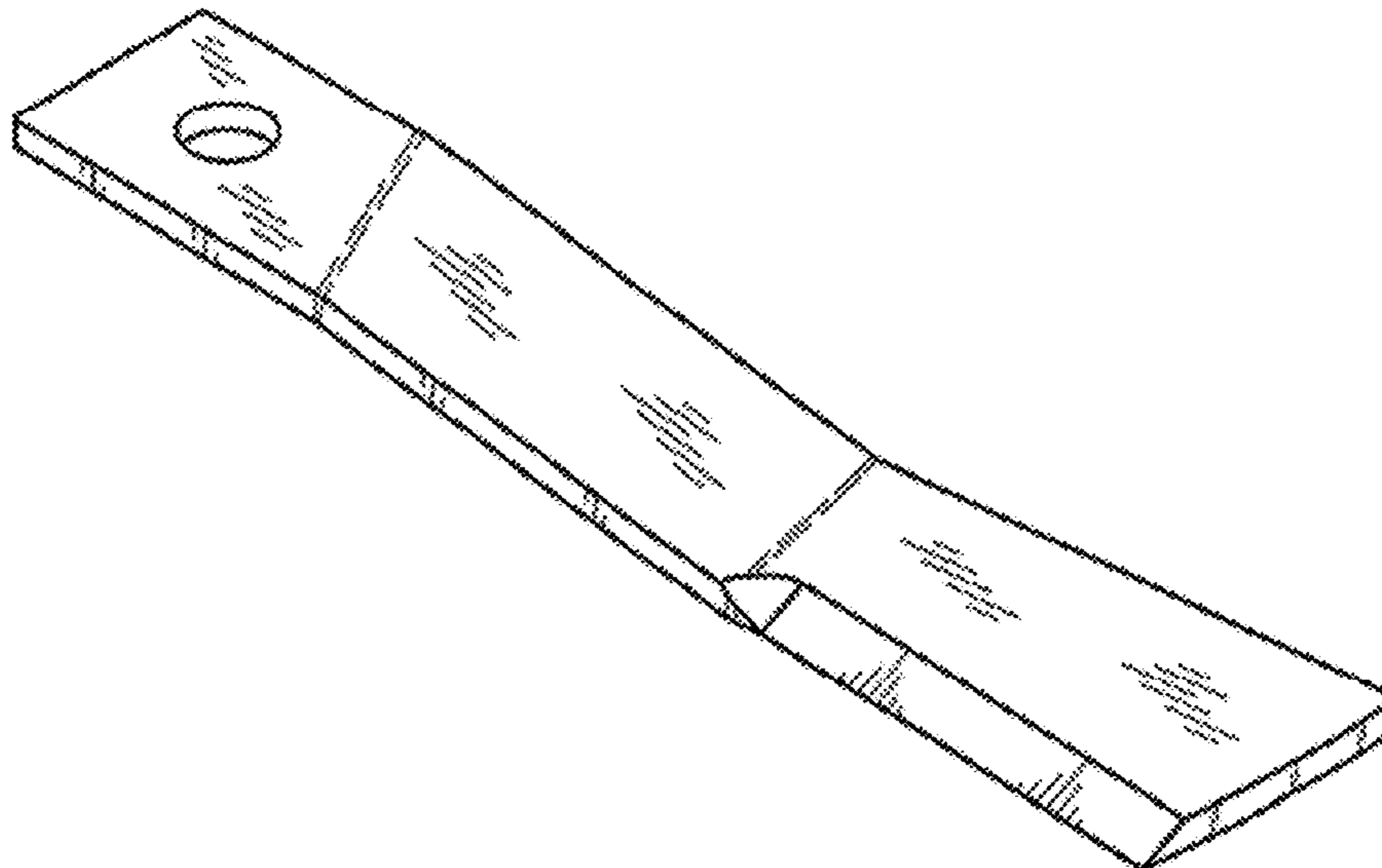
(57) **CLAIM**

The ornamental design for a lawn mower blade, as shown and described herein.

DESCRIPTION

FIG. 1 is a perspective view of a lawn mower blade of the present invention;
FIG. 2 is a top plan view of the design shown in FIG. 1;
FIG. 3 is a bottom plan view of the design shown in FIG. 1;
FIG. 4 is a front elevation view of the design shown in FIG. 1;
FIG. 5 is a back elevation view of the lawn mower blade of the design shown in FIG. 1;
FIG. 6 is a left side elevation view of the lawn mower blade of the design shown in FIG. 1; and,
FIG. 7 is a right side elevation view of the lawn mower blade of the design shown in FIG. 1.

1 Claim, 2 Drawing Sheets



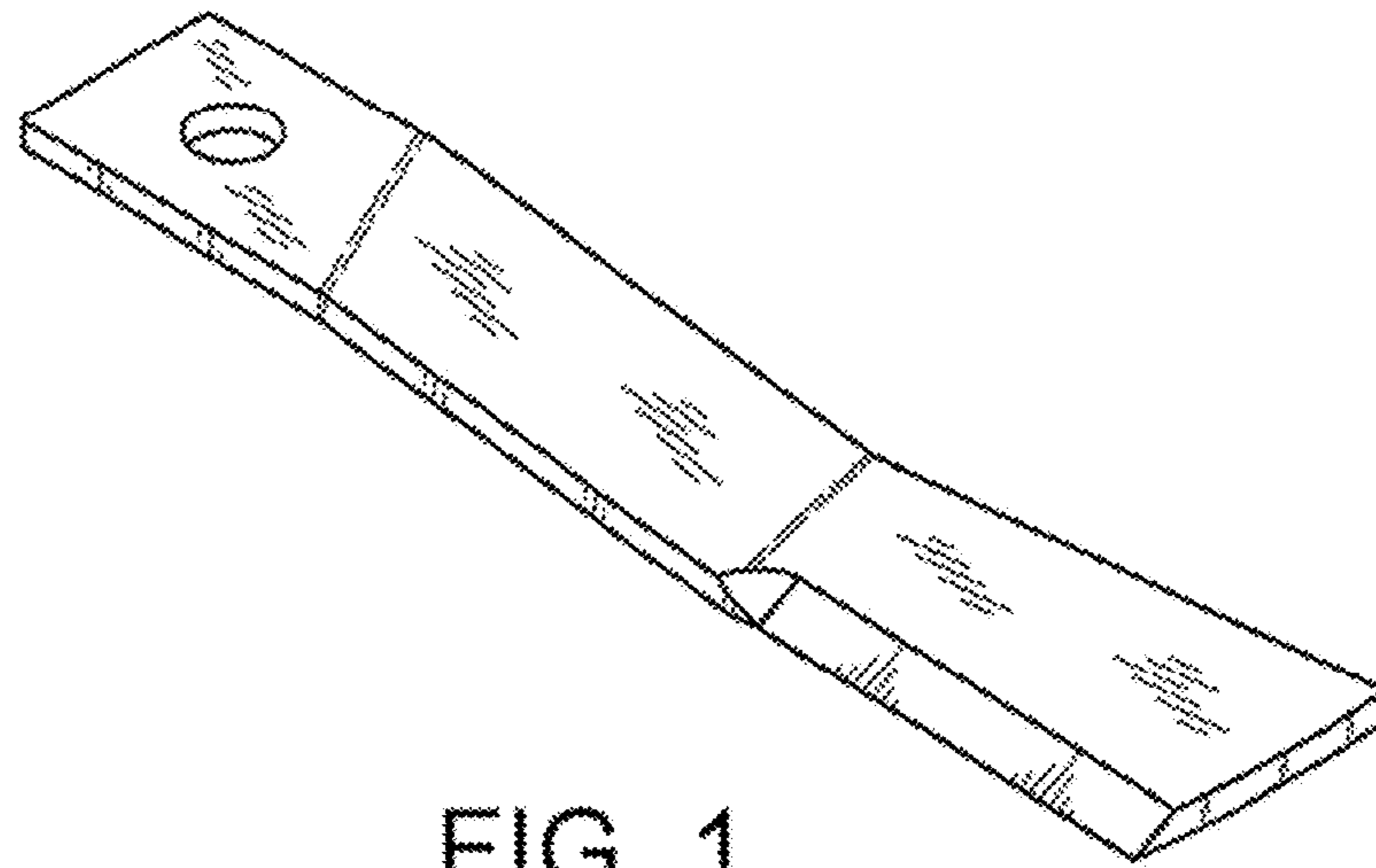


FIG. 1

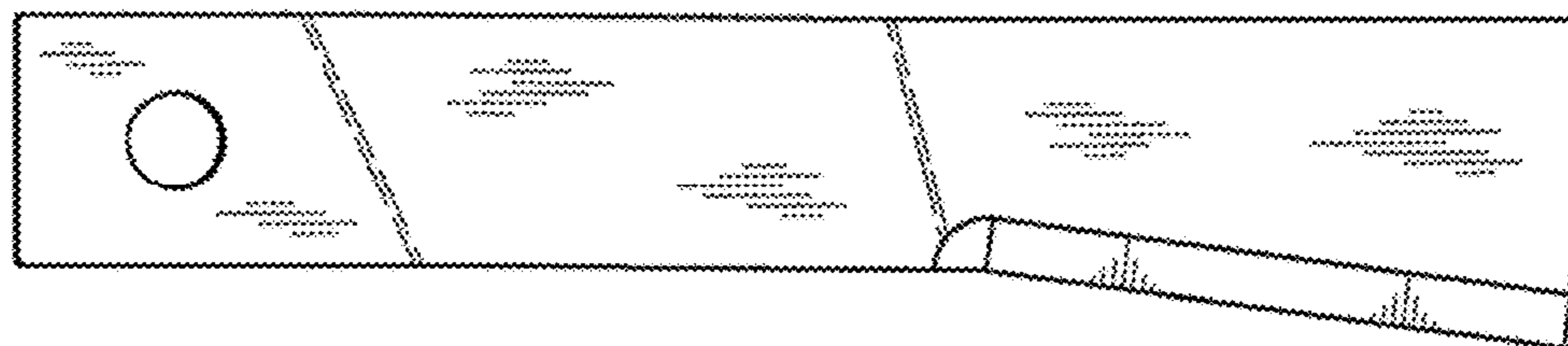


FIG. 2

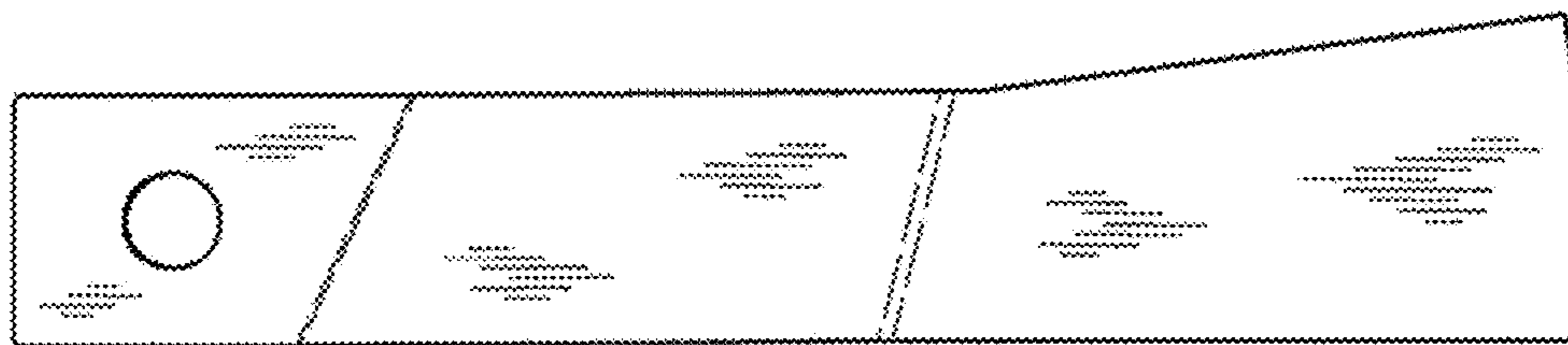


FIG. 3

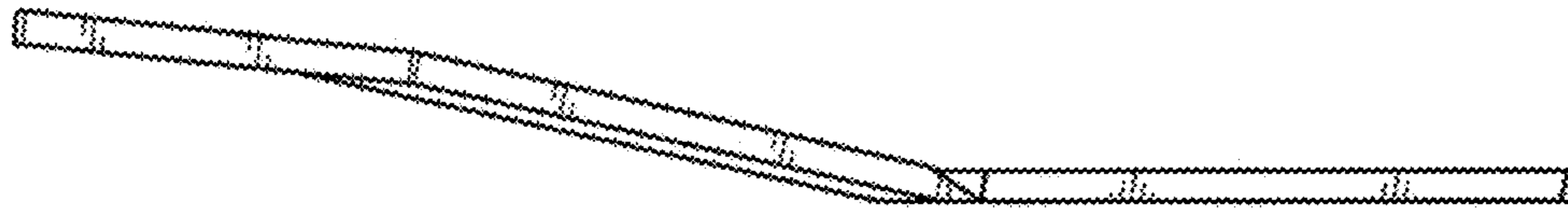


FIG. 4

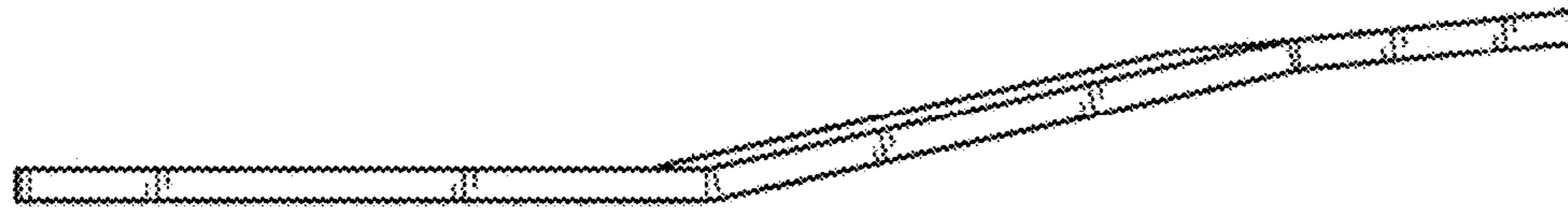


FIG. 5

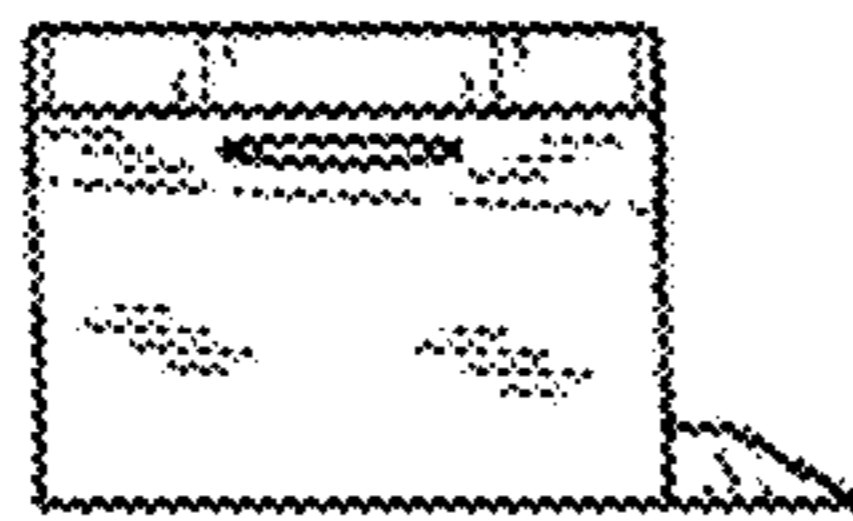


FIG. 6

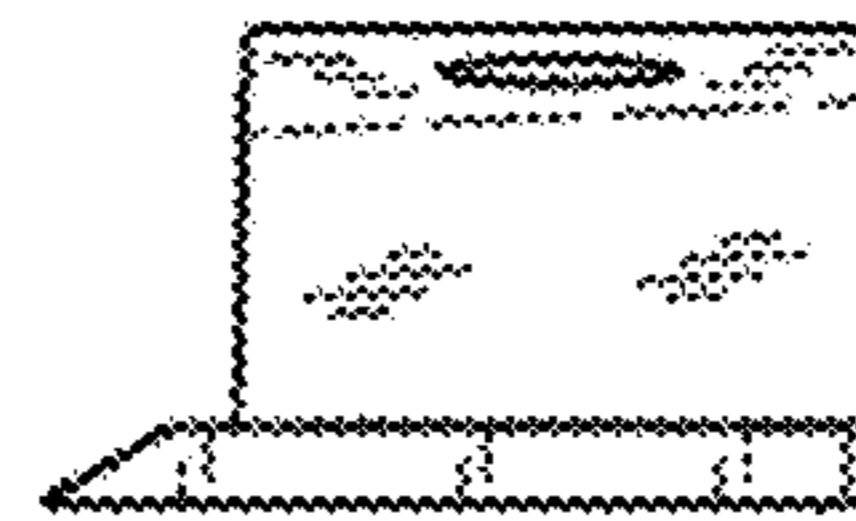


FIG. 7