



US00D873865S

(12) **United States Design Patent**
Campbell et al.

(10) **Patent No.:** **US D873,865 S**
(45) **Date of Patent:** **** Jan. 28, 2020**

- (54) **PARTICULATE SPREADER**
- (71) Applicant: **Chapin Manufacturing, Inc.**, Batavia, NY (US)
- (72) Inventors: **William J. Campbell**, Akron, NY (US);
Edward Horeth, Rochester, NY (US)
- (73) Assignee: **Chapin Manufacturing, Inc.**, Batavia, NY (US)
- (**) Term: **15 Years**
- (21) Appl. No.: **29/666,467**
- (22) Filed: **Oct. 12, 2018**
- (51) **LOC (12) Cl.** **15-03**
- (52) **U.S. Cl.**
USPC **D15/13**
- (58) **Field of Classification Search**
USPC D15/11, 13, 14, 16, 17, 18, 21, 27, 28;
222/625, 502, 45, 228, 162, 174, 614,
222/624, 650, 608; 239/681-689, 666,
239/663, 650, 652, 655, 664, 665
CPC E01C 19/2005; E01C 19/20; E01C
2019/206; E01H 10/007; B05B 9/007;
A01C 7/02; A01C 15/02; A01C 17/008;
A01G 29/00
See application file for complete search history.

- 5,501,405 A * 3/1996 Doornek A01C 15/007
239/683
 - D373,367 S * 9/1996 Havlovitz D15/13
 - D376,155 S * 12/1996 Havlovitz D15/13
 - D384,679 S * 10/1997 Havlovitz D15/13
 - 5,842,648 A * 12/1998 Havlovitz A01C 7/02
239/650
 - 5,860,604 A 1/1999 Kooiker
 - D413,903 S * 9/1999 Spear D15/13
 - D413,904 S * 9/1999 Spear D15/13
 - D414,783 S * 10/1999 Spear D15/13
 - D425,915 S * 5/2000 Truan D15/13
 - 6,138,927 A * 10/2000 Spear A01C 15/02
239/666
 - D556,787 S * 12/2007 Taber D15/13
 - 7,380,734 B2 6/2008 Magnusson
- (Continued)

(56) **References Cited**

U.S. PATENT DOCUMENTS

- 2,973,884 A * 3/1961 West A01C 7/085
222/625
- D282,931 S * 3/1986 Doering D15/13
- 4,580,730 A 4/1986 Amerine
- 4,671,434 A 6/1987 Johnston et al.
- D338,894 S * 8/1993 Simpson D15/13
- 5,333,795 A * 8/1994 Jessen A01C 15/02
239/157
- D359,963 S * 7/1995 Pink D15/13

OTHER PUBLICATIONS

Precision Products, Inc., Spreader, Model No. DS4500RDGY, <http://precisionprodinc.com/details.php?model=DS4500RDGY>, printed Jun. 14, 2016.

Primary Examiner — Mark A Goodwin
(74) *Attorney, Agent, or Firm* — Woods Oviatt Gilman LLP; Katherine H. McGuire, Esq.

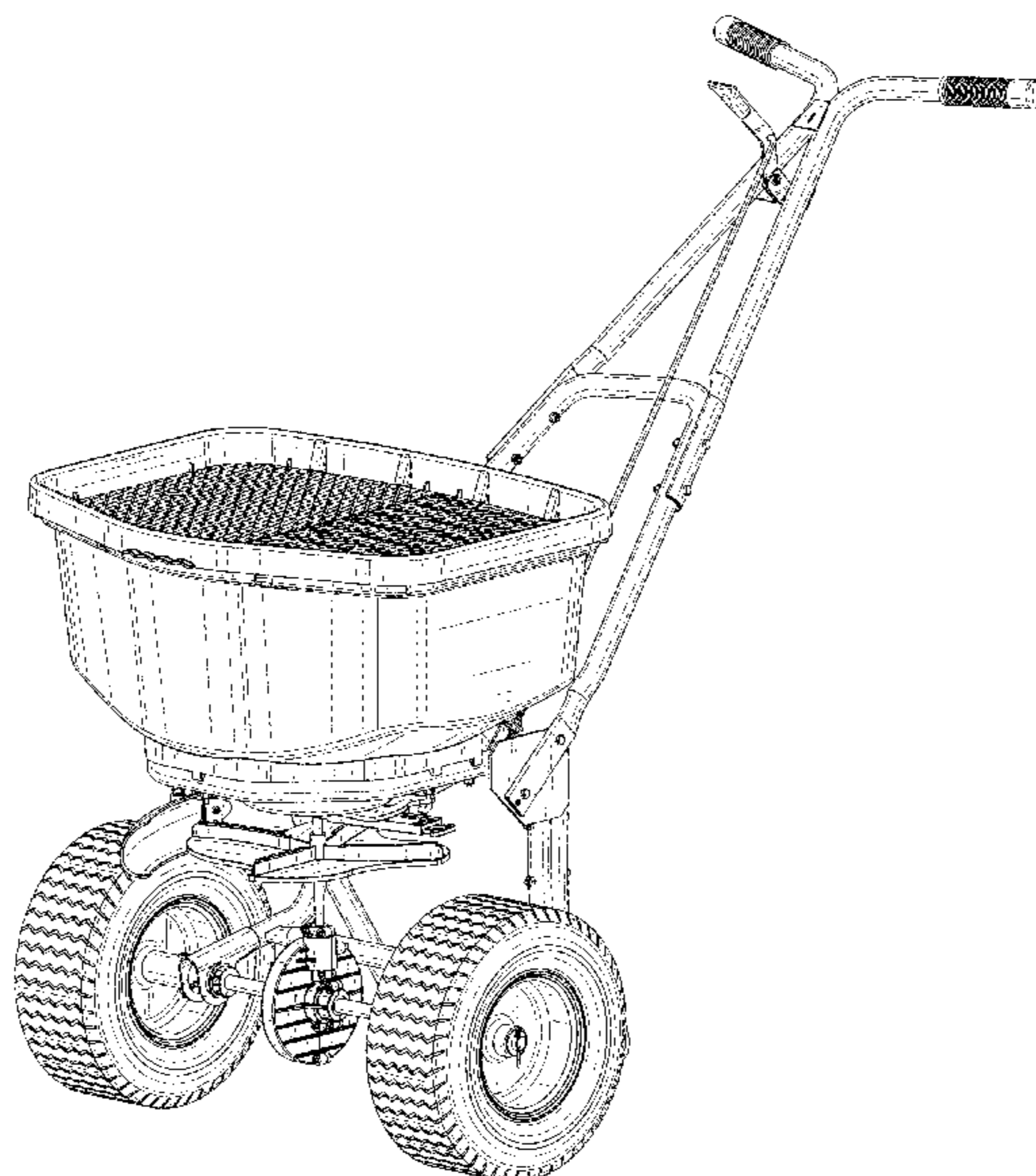
(57) **CLAIM**

The ornamental design for a particulate spreader, as shown and described.

DESCRIPTION

FIG. 1 is a front perspective view of a particulate spreader showing our new design;
FIG. 2 is a front view thereof;
FIG. 3 is a back view thereof;
FIG. 4 is a right side view thereof;
FIG. 5 is a left side view thereof;
FIG. 6 is a top plan view thereof; and,
FIG. 7 is a bottom plan view thereof.

1 Claim, 7 Drawing Sheets



(56)

References Cited

U.S. PATENT DOCUMENTS

D602,045 S * 10/2009 Choi D15/13
 D602,046 S * 10/2009 Choi D15/13
 D610,590 S * 2/2010 Choi D15/13
 D610,591 S * 2/2010 Choi D15/13
 D623,667 S * 9/2010 Cichy D15/13
 D662,522 S * 6/2012 Simpson D15/13
 D673,586 S * 1/2013 Truan D15/13
 D689,527 S * 9/2013 MacLean-Blevins D15/13
 D724,105 S * 3/2015 Kendall D15/13
 D729,850 S * 5/2015 Kendall D15/13
 D730,410 S * 5/2015 Kendall D15/13
 9,433,143 B2 9/2016 Sammons et al.
 9,657,451 B2 5/2017 Delorme et al.
 D829,773 S * 10/2018 Stewart D15/13
 D853,446 S * 7/2019 Horeth D15/13
 D860,261 S * 9/2019 Hsu D15/13
 2002/0162907 A1 * 11/2002 Courtney A01C 15/008
 239/665
 2008/0078850 A1 * 4/2008 Bowsher A01C 17/008
 239/687
 2013/0105592 A1 * 5/2013 Kendall B05B 7/1404
 239/7
 2016/0106028 A1 * 4/2016 Kendall A01C 17/008
 239/1
 2017/0359951 A1 12/2017 Horeth et al.

* cited by examiner



FIG. 1

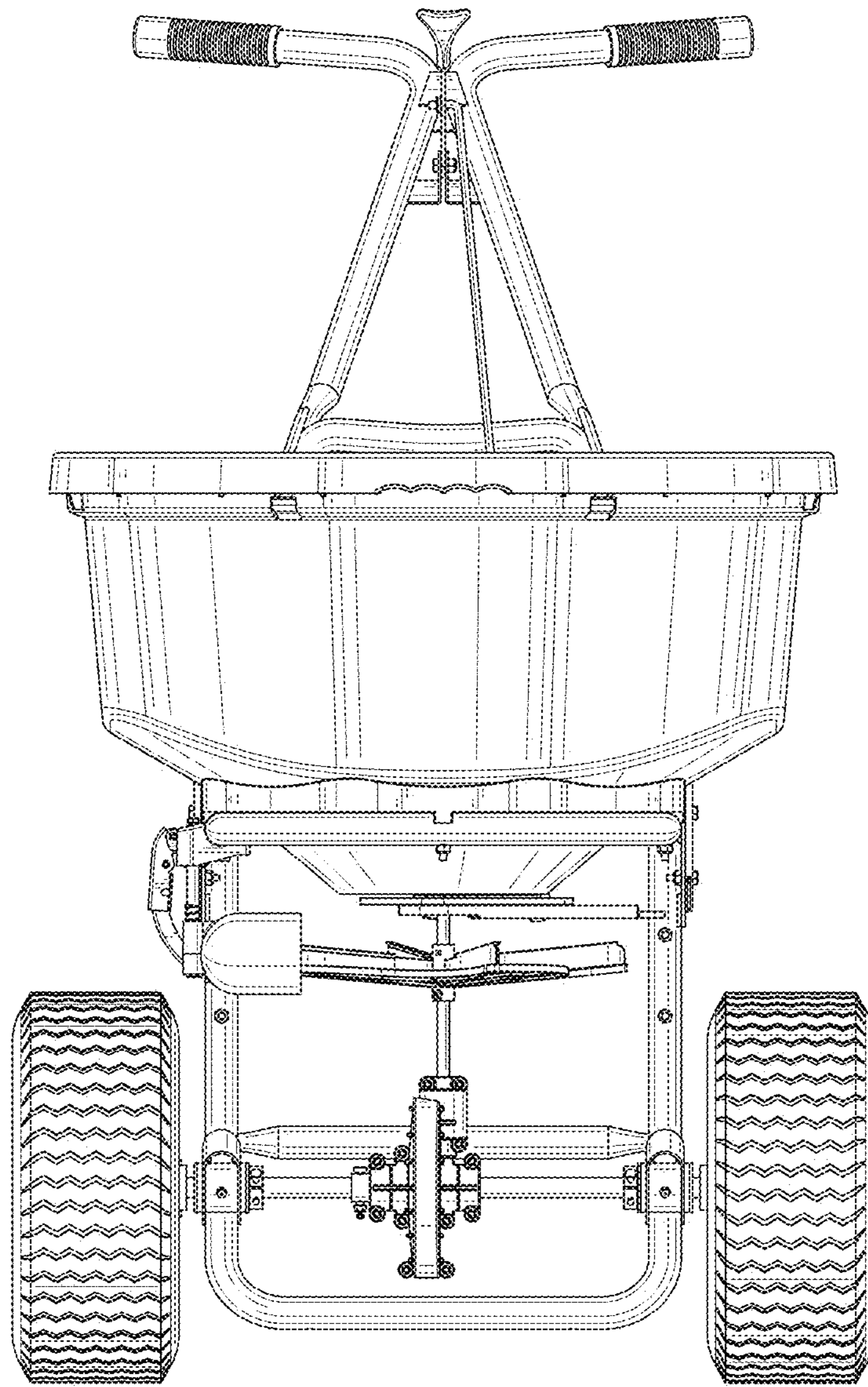


FIG. 2

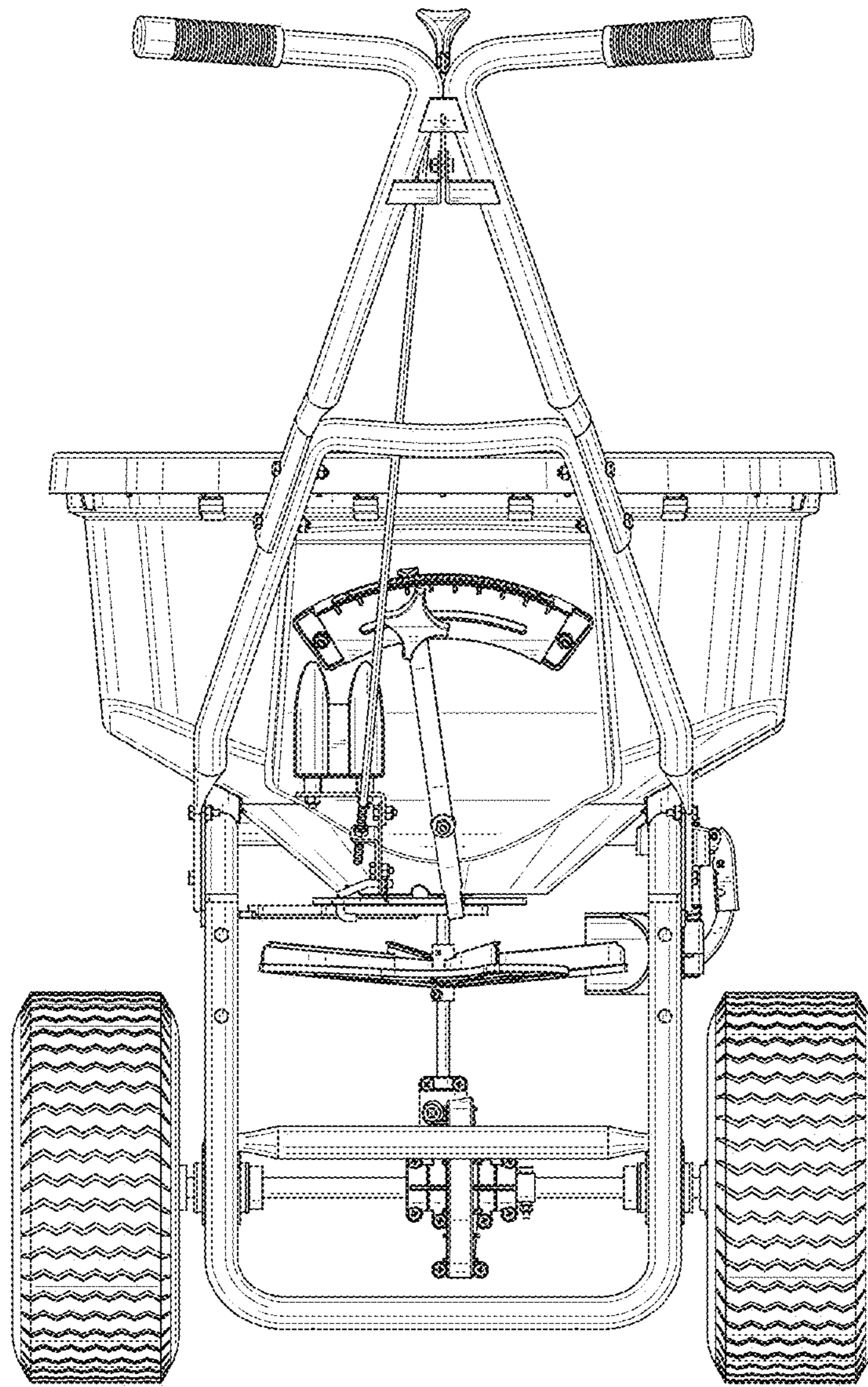


FIG. 3

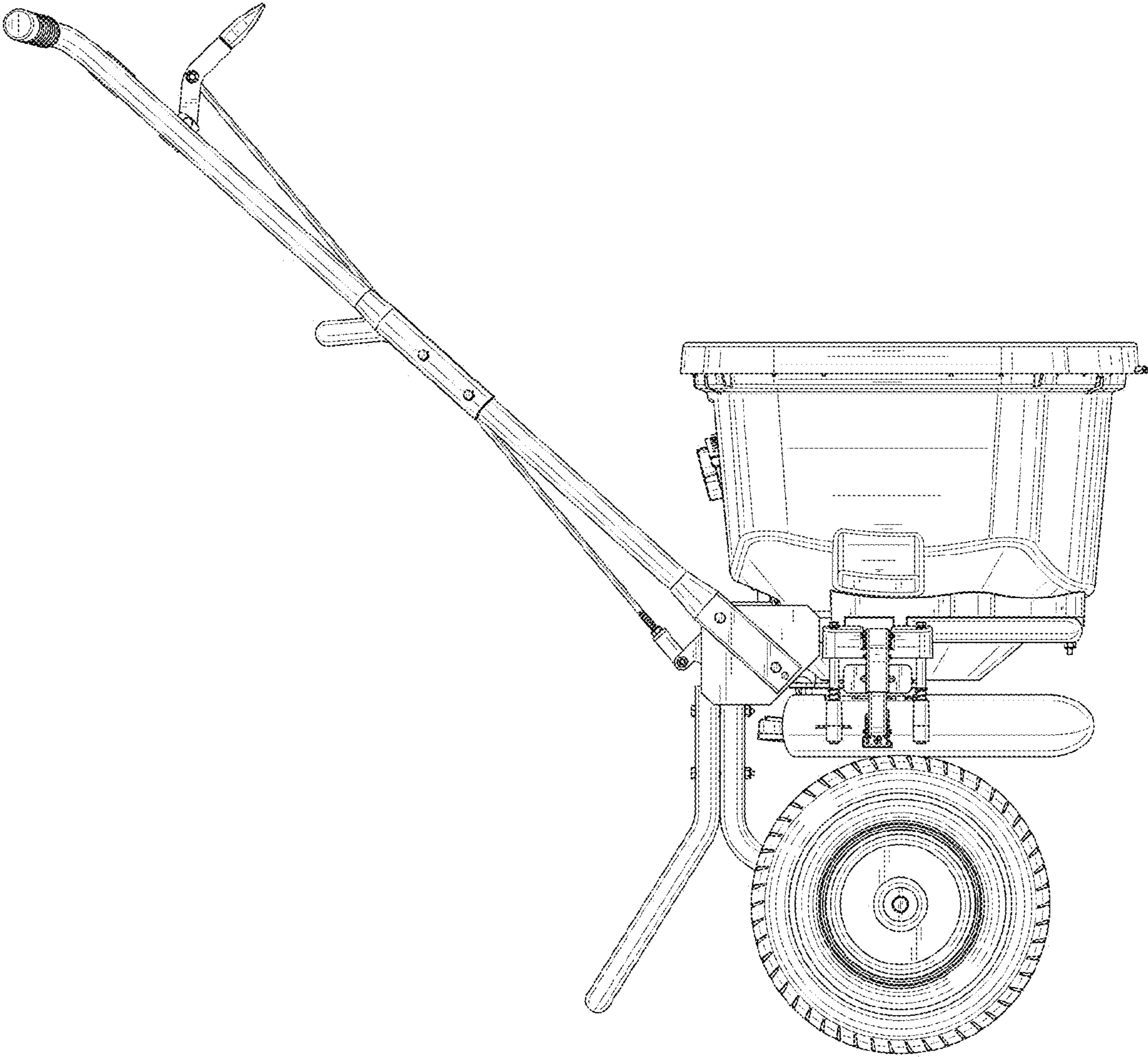


FIG. 4

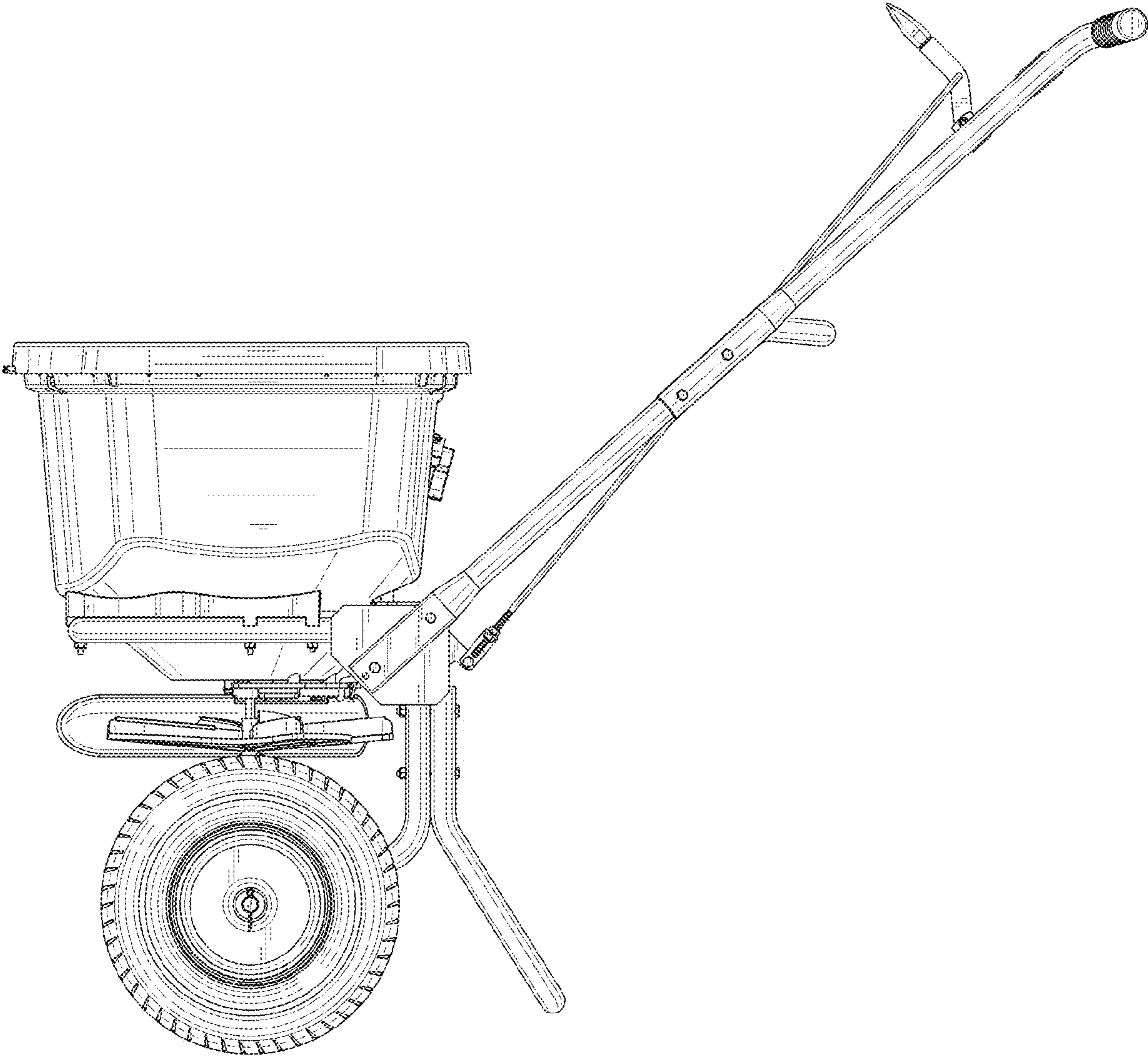


FIG. 5



FIG. 6

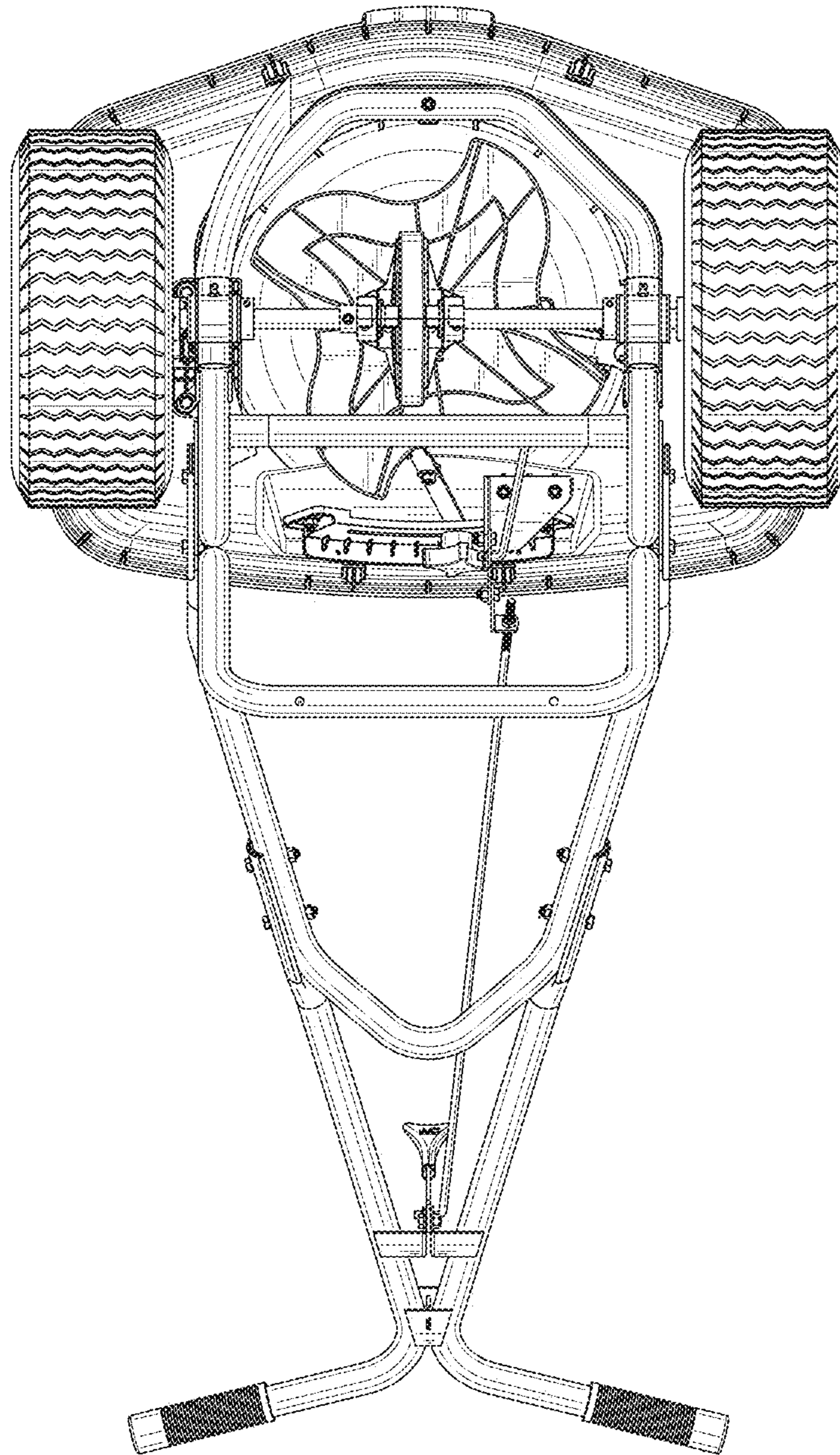


FIG. 7