



US00D873864S

(12) **United States Design Patent**
Bell et al.

(10) **Patent No.:** **US D873,864 S**

(45) **Date of Patent:** **** Jan. 28, 2020**

- (54) **GRAIN DRYING ADAPTER**
- (71) Applicant: **ConleyMax Inc.**, Calgary (CA)
- (72) Inventors: **Patrick G. Bell**, Calgary (CA);
William N. Beckie, Calgary (CA)
- (73) Assignee: **ConleyMax Inc.**, Calgary, Alberta (CA)
- (**) Term: **15 Years**
- (21) Appl. No.: **29/598,907**
- (22) Filed: **Mar. 29, 2017**
- (51) **LOC (12) Cl.** **15-03**
- (52) **U.S. Cl.**
USPC **D15/10; D15/144**
- (58) **Field of Classification Search**
USPC **D15/10, 17, 28, 144**
CPC **F26B 19/005; F26B 9/103; F26B 3/06;**
F26B 3/02; F26B 2200/06
See application file for complete search history.

- 5,468,187 A * 11/1995 Edwards, Jr. A23N 12/005
460/126
 - 2004/0022627 A1* 2/2004 Hanchett F04D 29/441
415/211.2
 - 2010/0170105 A1* 7/2010 Burns F26B 9/063
34/475
 - 2011/0167667 A1* 7/2011 Zoucha F26B 17/14
34/267
 - 2018/0283787 A1* 10/2018 Bell F26B 9/063
 - 2019/0293350 A1* 9/2019 Bell F26B 19/005
- * cited by examiner

Primary Examiner — Mark A Goodwin

(57) **CLAIM**

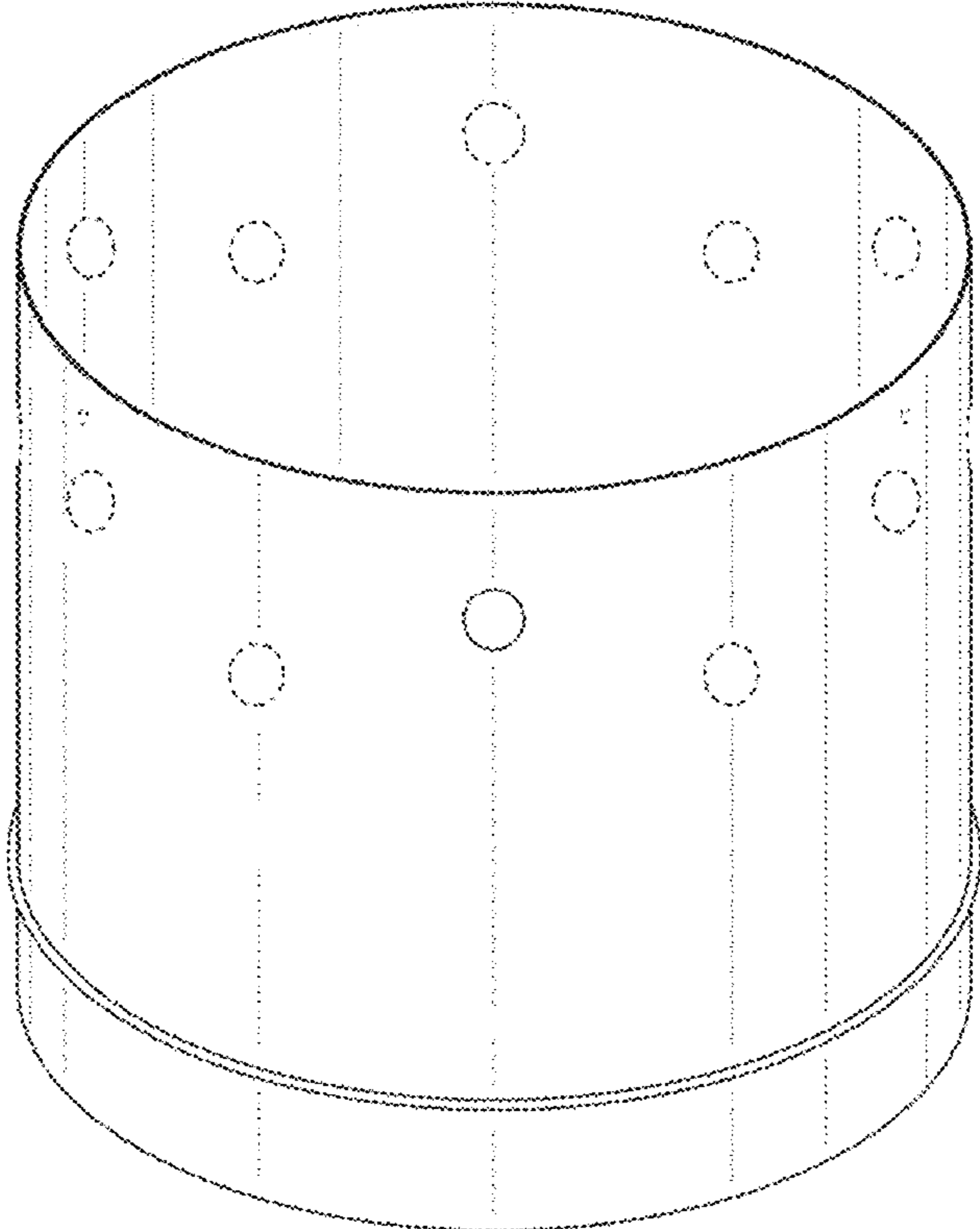
The ornamental design for a grain drying adapter, as shown and described.

DESCRIPTION

FIG. 1 is a perspective view of a third embodiment of a grain drying adapter;
 FIG. 2 is a front side view thereof;
 FIG. 3 is a back side view thereof;
 FIG. 4 is a left side view thereof;
 FIG. 5 is a right side view thereof;
 FIG. 6 is a top view thereof; and,
 FIG. 7 is a bottom view thereof.
 The broken lines form no part of the claimed design.

1 Claim, 7 Drawing Sheets

- (56) **References Cited**
U.S. PATENT DOCUMENTS
- 2,714,258 A * 8/1955 Smith F26B 21/00
34/214
- 4,307,701 A * 12/1981 Balon F24H 3/0488
126/110 B
- 4,754,557 A * 7/1988 Anderson F26B 9/103
34/174
- D308,526 S * 6/1990 Stalder D15/10
- D338,892 S * 8/1993 Crawford D15/10



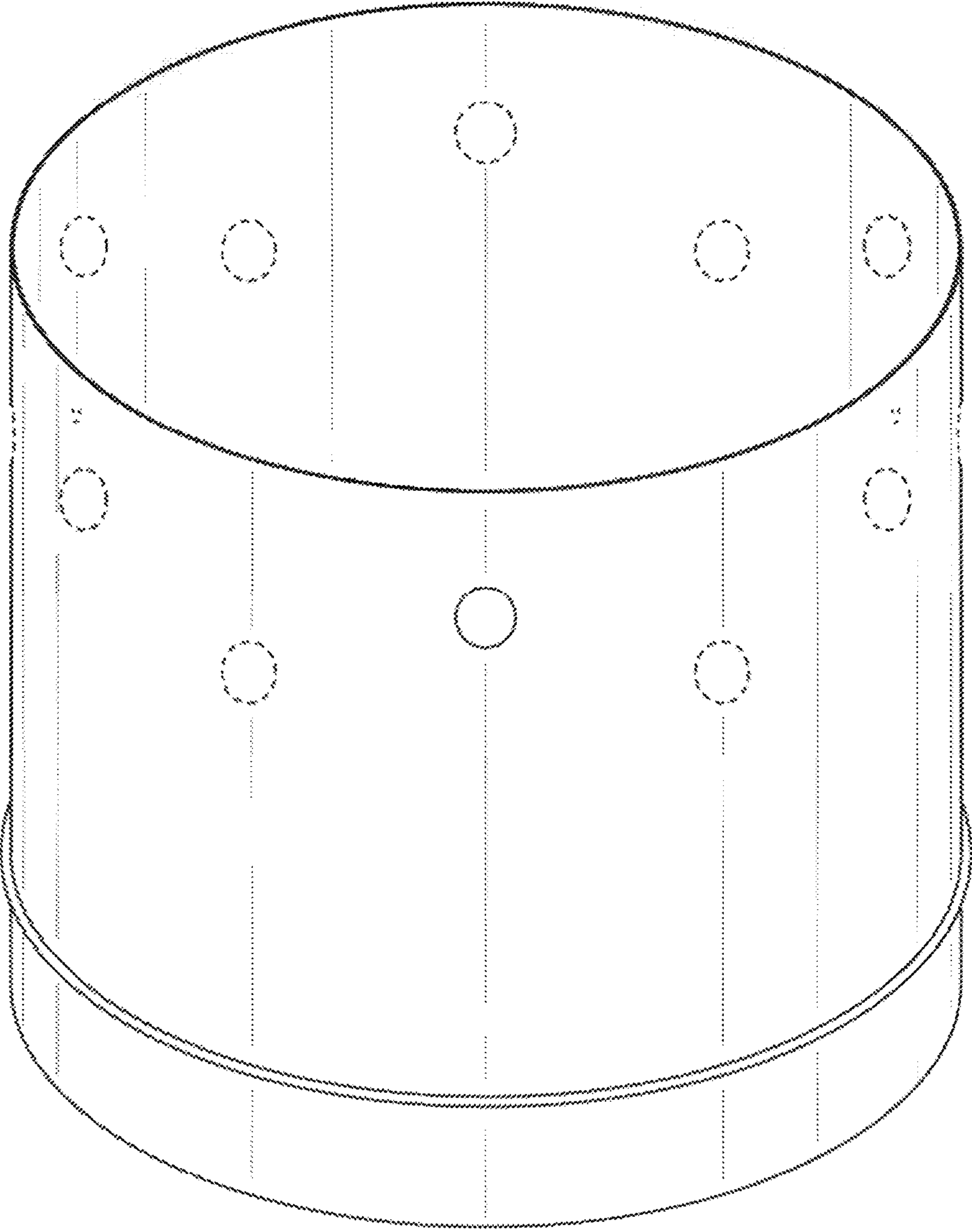


FIG. 1

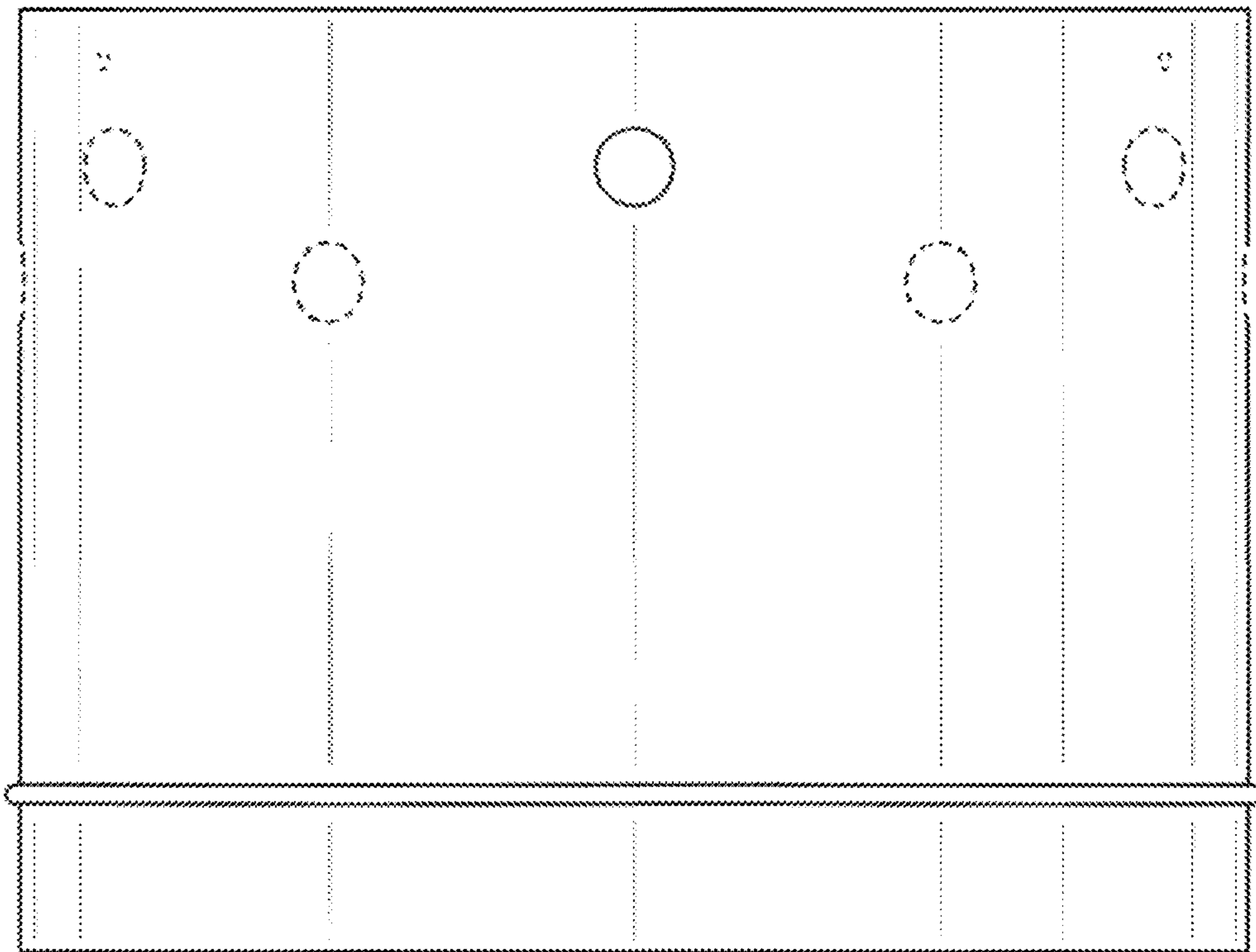


FIG. 2

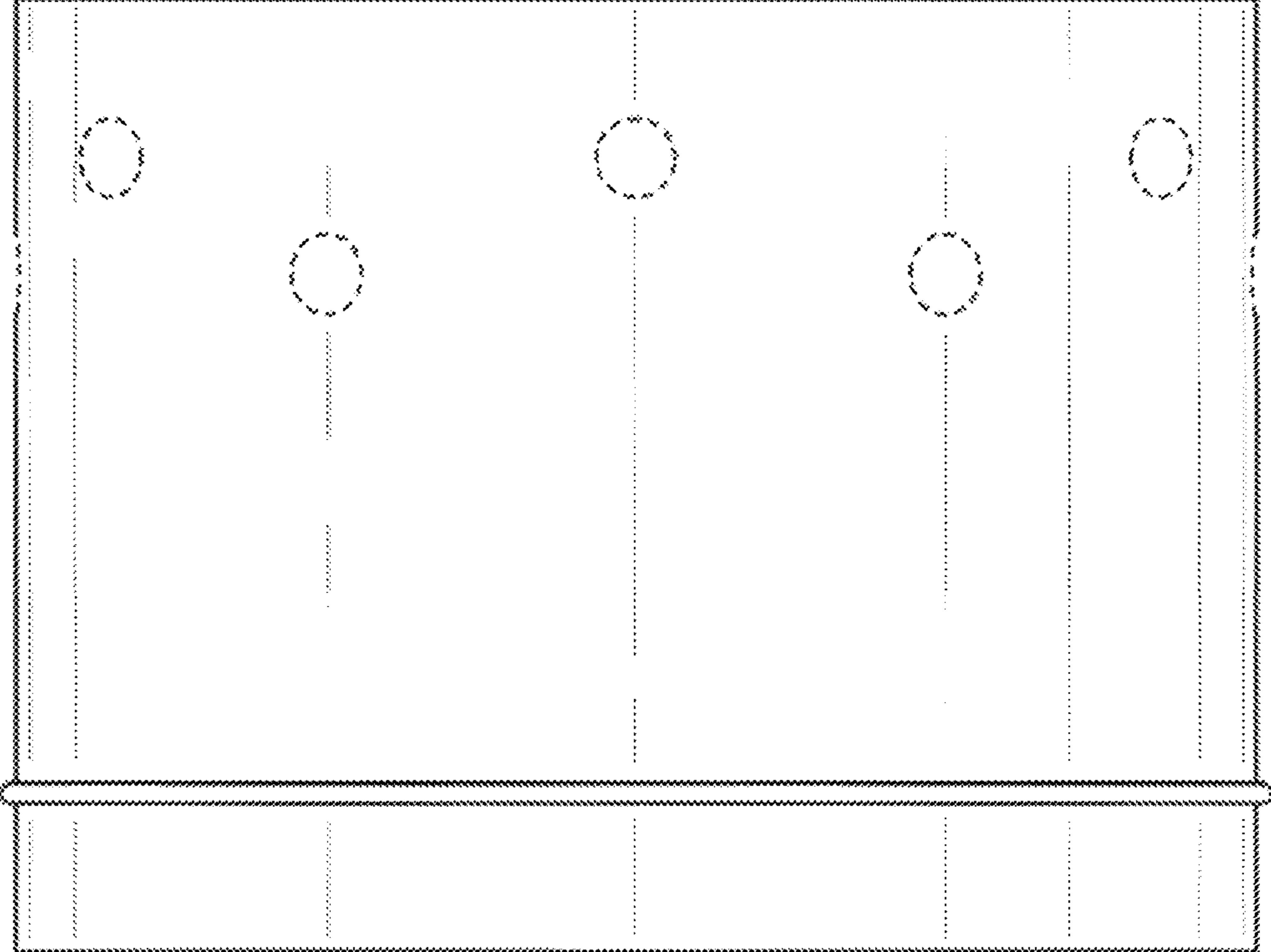


FIG. 3

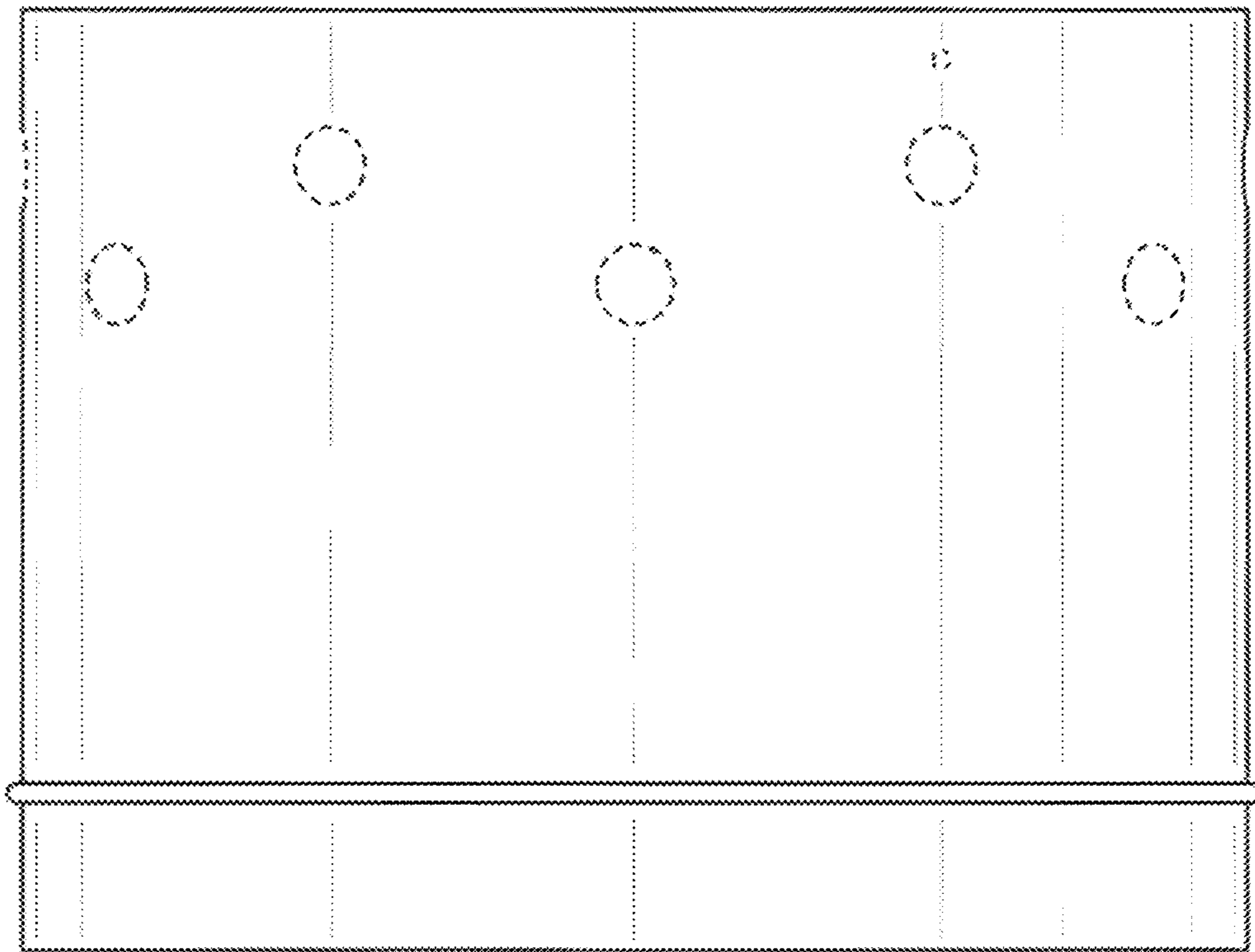


FIG. 4

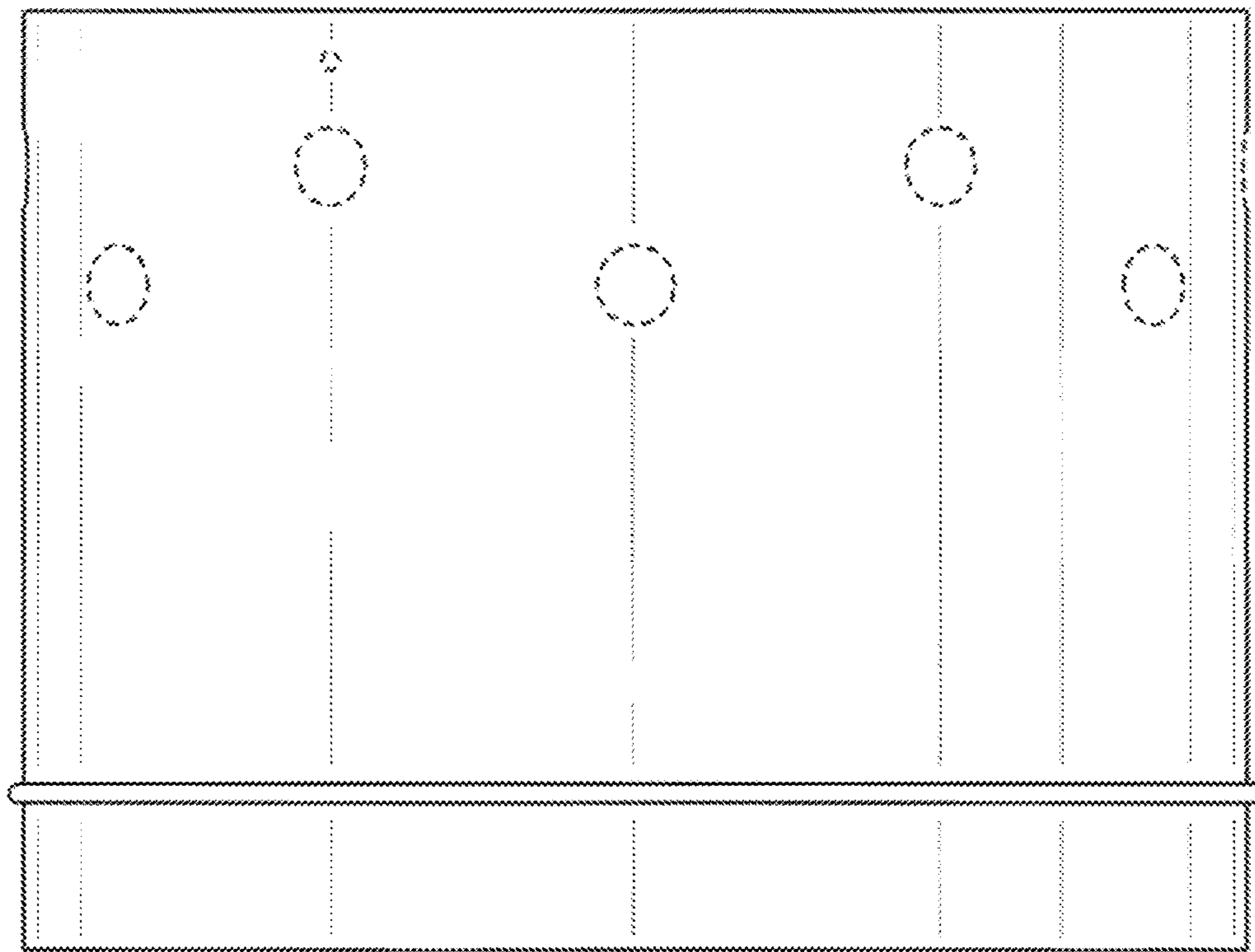


FIG. 5

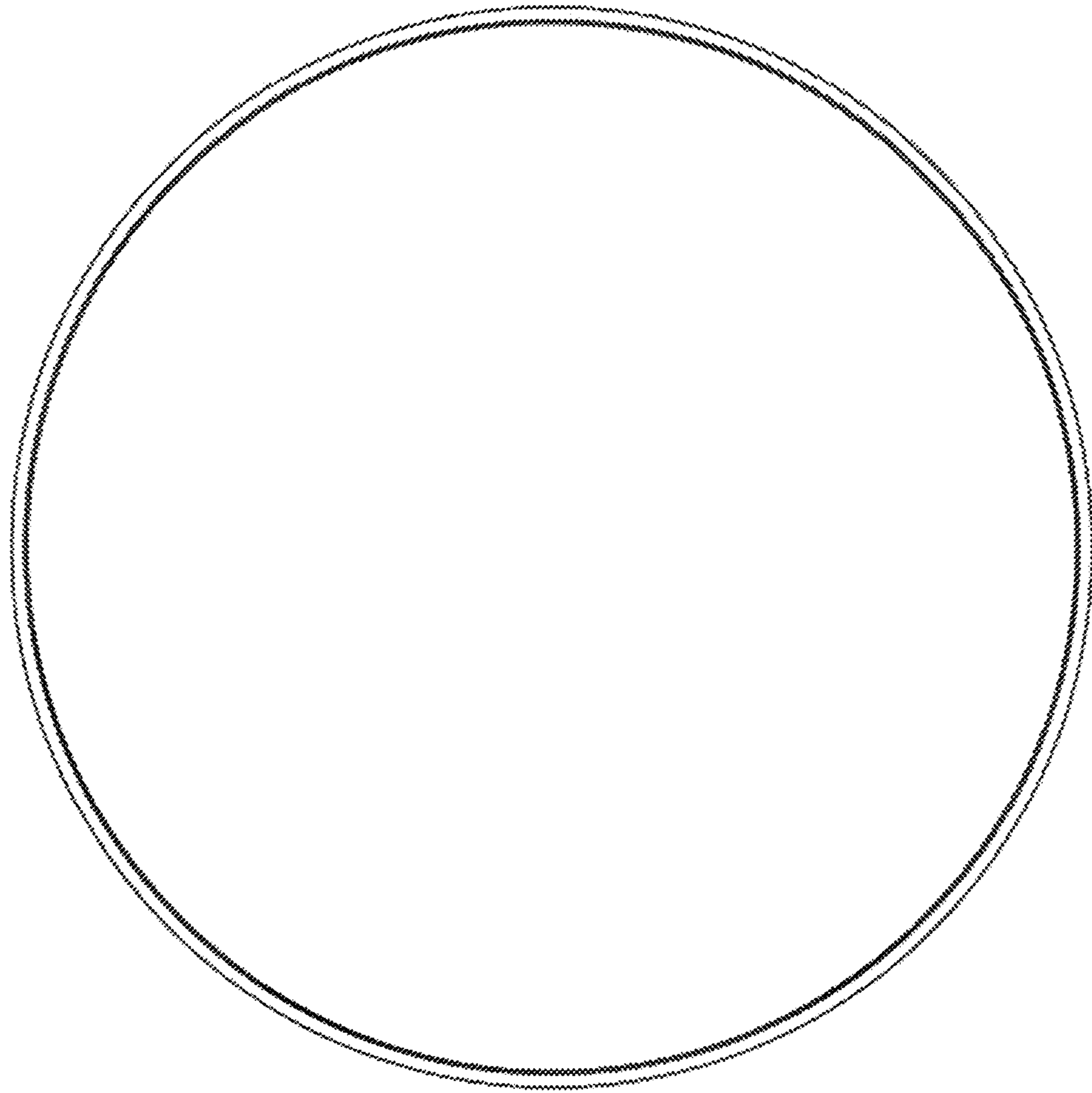


FIG. 6

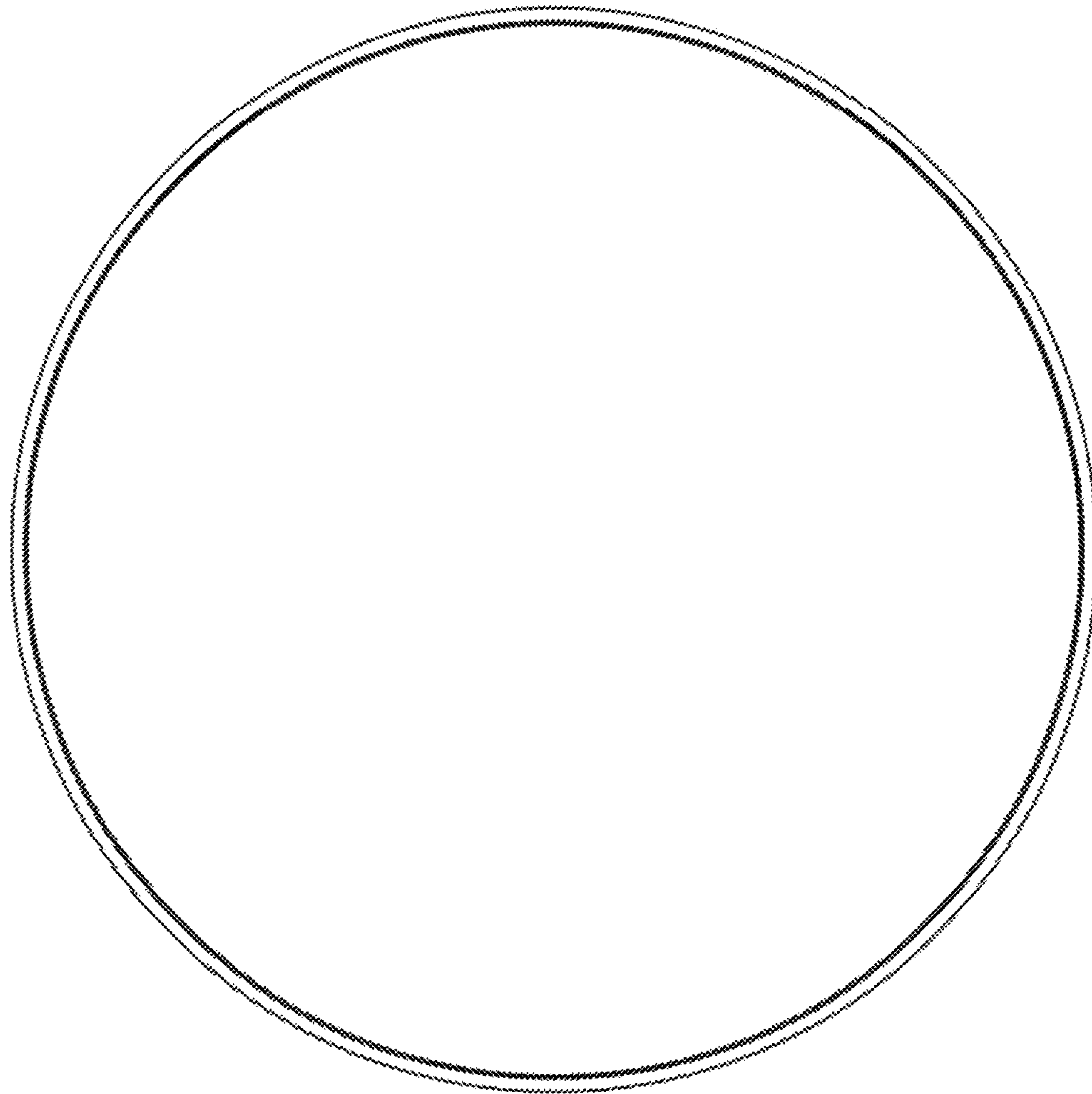


FIG. 7