



US00D873863S

(12) **United States Design Patent**
Marini

(10) **Patent No.:** **US D873,863 S**

(45) **Date of Patent:** **** Jan. 28, 2020**

(54) **TIRE SEALING AND INFLATION DEVICE**

(71) Applicant: **TEK Global S.r.l.**, Pesaro (IT)

(72) Inventor: **Maurizio Marini**, Pesaro (IT)

(73) Assignee: **TEK Global S.r.l.**, Pesaro (IT)

(**) Term: **15 Years**

(21) Appl. No.: **35/504,539**

(22) Filed: **Jun. 28, 2017**

(80) **Hague Agreement Data**

Int. Filing Date: **Jun. 28, 2017**

Int. Reg. No.: **DM/099900**

Int. Reg. Date: **Jun. 28, 2017**

Int. Reg. Pub. Date: **Mar. 9, 2018**

(51) **LOC (12) Cl.** **15-02**

(52) **U.S. Cl.**

USPC **D15/7**

CPC **F02M 37/04** (2013.01)

(58) **Field of Classification Search**

USPC D15/7-9; D23/231, 232, 225;
417/355-363, 410.1, 411, 416, 405, 900,
417/269, 539; 60/408, 412; 184/26-37;
415/140-147; 123/495, 509; 137/565.34

CPC F02M 37/04; F02M 37/14; F04B 53/92;
F04B 1/005; F04D 13/06; F04D 29/22;
F04D 29/046; F04D 29/2266

See application file for complete search history.

(56) **References Cited**

U.S. PATENT DOCUMENTS

4,187,058 A * 2/1980 Fish B60C 23/10

141/98

4,389,166 A * 6/1983 Harvey F04B 35/04

417/234

D278,244 S *	4/1985	Boetger	D15/7
D362,669 S *	9/1995	Conroy	D15/7
D507,799 S *	7/2005	Chen	D15/7
D647,924 S *	11/2011	Upham	D15/7
D656,962 S *	4/2012	Boldsen	D15/7
D670,313 S *	11/2012	Ohm	D15/7
D671,560 S *	11/2012	Ohm	D15/7
D679,291 S *	4/2013	Ohm	D15/7
D694,267 S *	11/2013	Ohm	D15/7
D800,788 S *	10/2017	Petersen	D15/7
D814,524 S *	4/2018	Costle	D15/7
D823,346 S *	7/2018	Petersen	D15/7
D838,746 S *	1/2019	Gan	D15/7

* cited by examiner

Primary Examiner — Richard E Chilcot

(74) *Attorney, Agent, or Firm* — Schwegman Lundberg & Woessner, P.A.

(57) **CLAIM**

The ornamental design for a tire sealing and inflation device, as shown and described.

DESCRIPTION

Tire sealing and inflation device

1.1 : Perspective view

1.2 : Top view

1.3 : Bottom view

1.4 : Right view

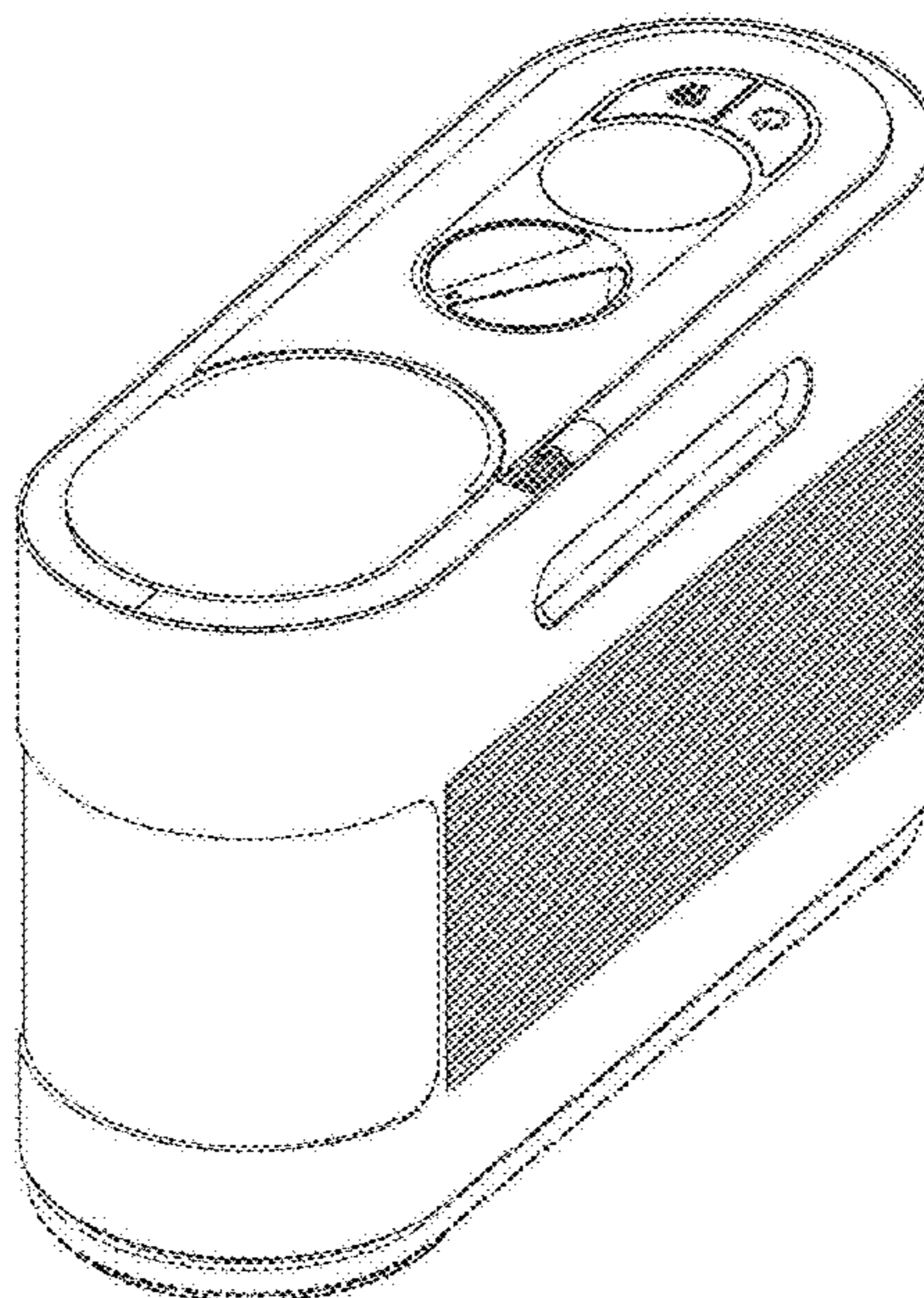
1.5 : Left view

1.6 : Front view

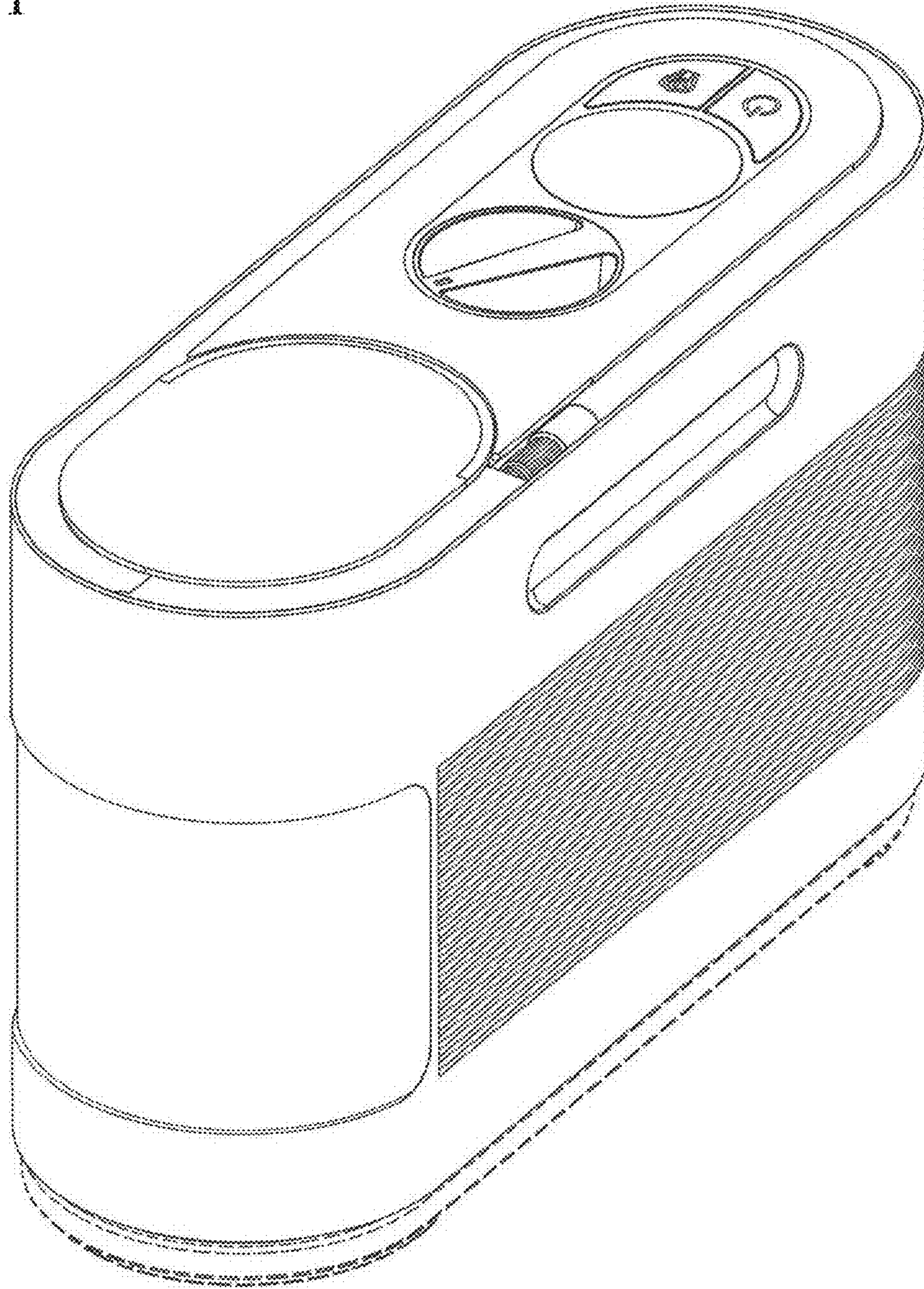
1.7 : Back view

The features shown in broken lines form no part of the claimed design.

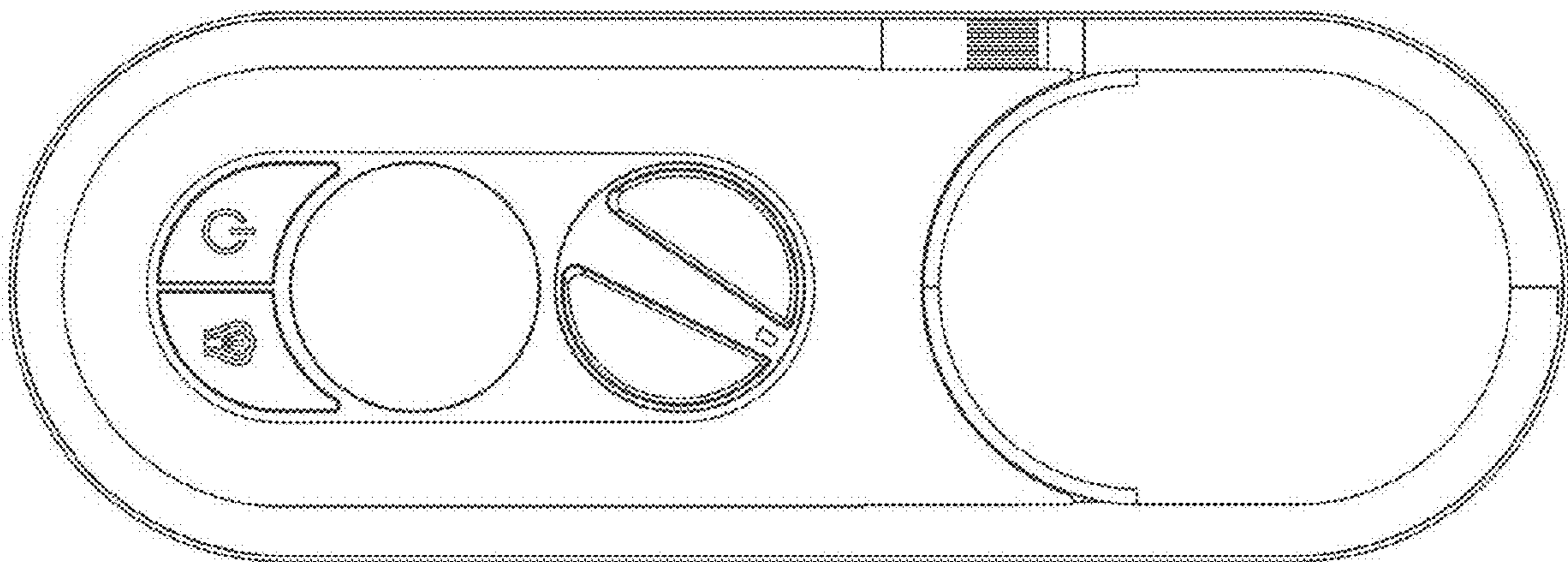
1 Claim, 7 Drawing Sheets



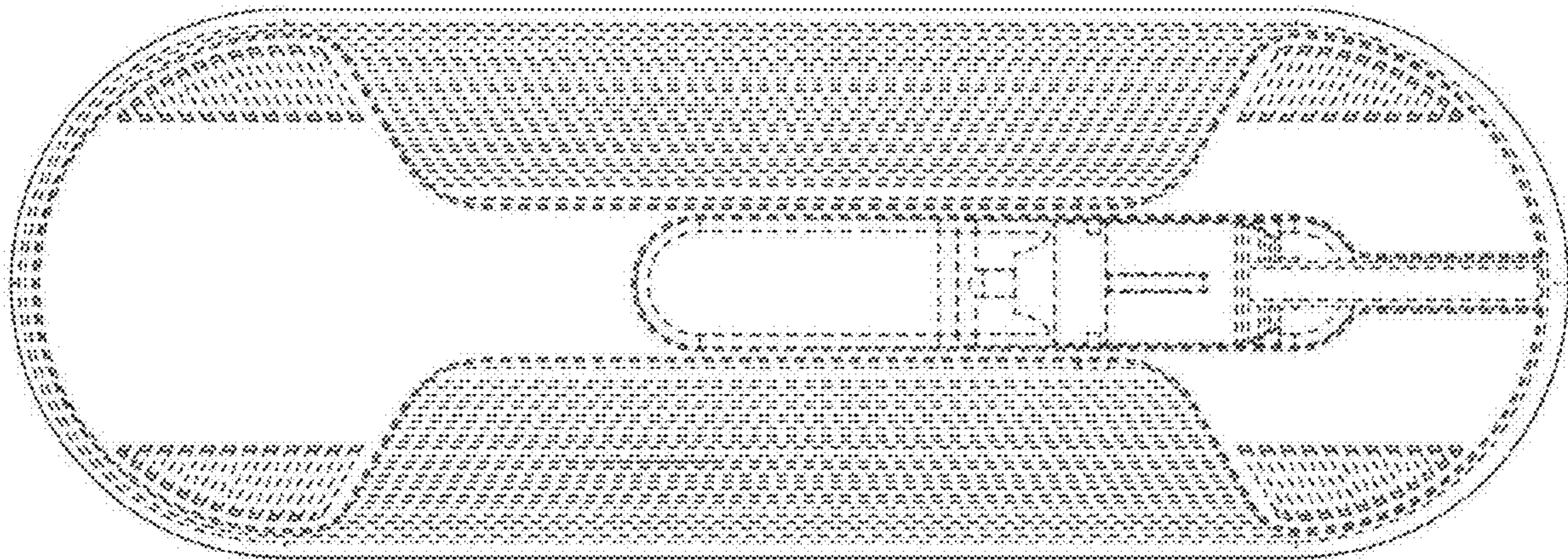
1 . 1



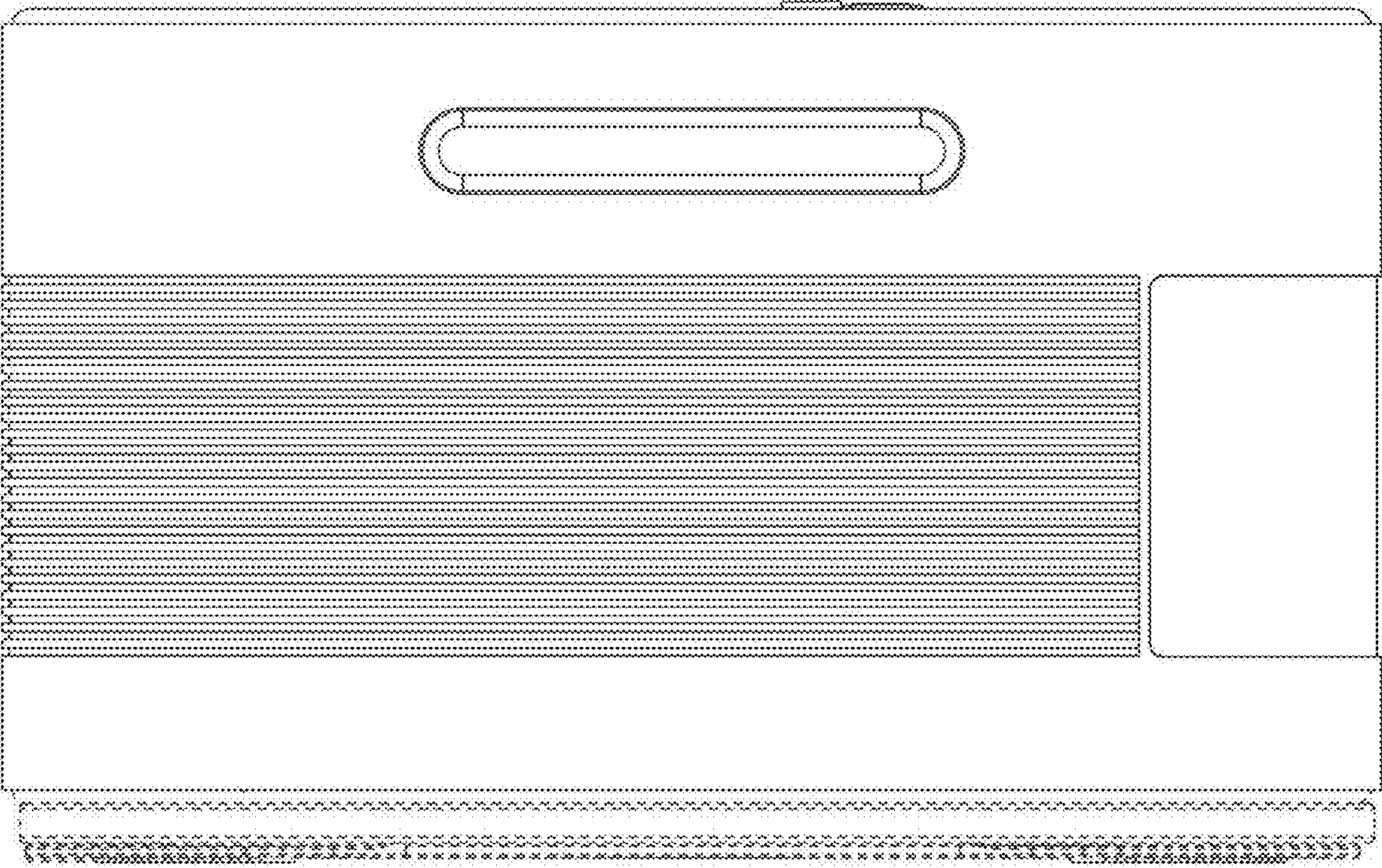
1.2



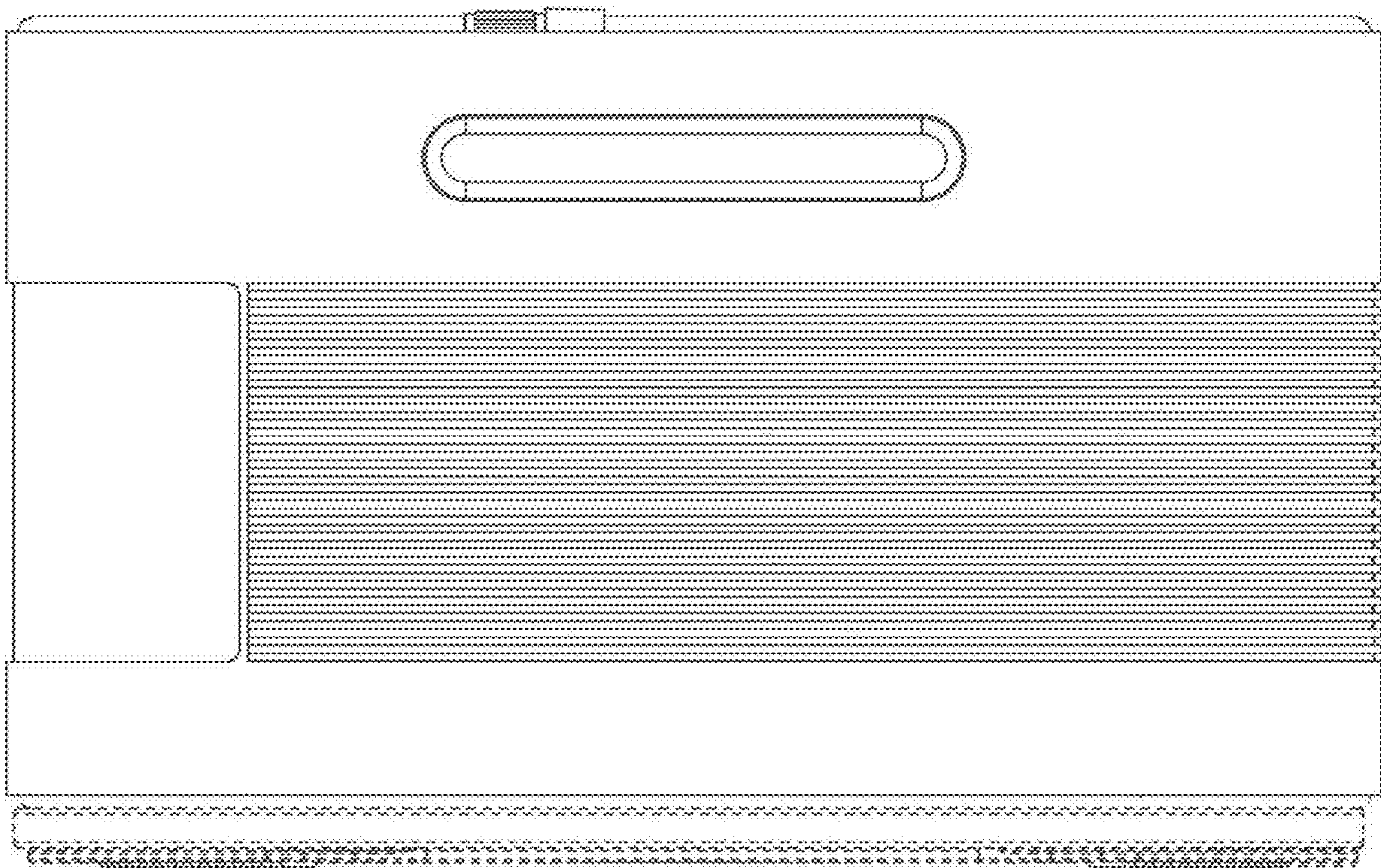
1.3



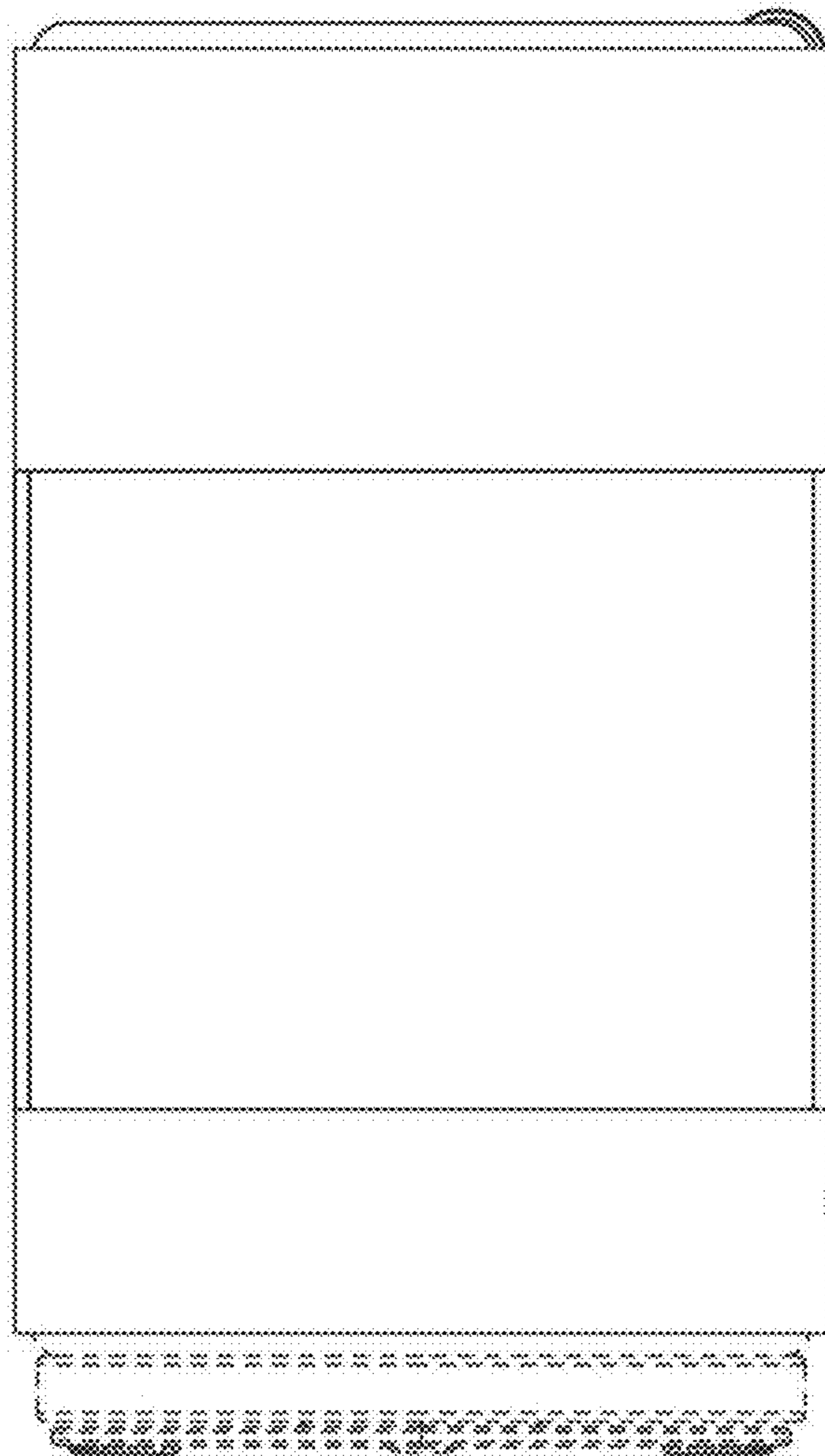
1.4



1.5



1.6



1.7

