



US00D873856S

(12) **United States Design Patent** (10) **Patent No.:** **US D873,856 S**  
**Tamayo et al.** (45) **Date of Patent:** **\*\* Jan. 28, 2020**

(54) **DISPLAY SCREEN WITH ANIMATED GRAPHICAL USER INTERFACE**

(71) Applicant: **Capital One Services, LLC**, McLean, VA (US)

(72) Inventors: **Bryan Joseph Tamayo**, Allen, TX (US); **Geoffrey Wayne Dagley**, McKinney, TX (US); **Staevan Alan Duckworth**, The Colony, TX (US); **Qiaochu Tang**, The Colony, TX (US)

(73) Assignee: **Capital One Services, LLC**, McLean, VA (US)

(\*\*) Term: **15 Years**

(21) Appl. No.: **29/690,645**

(22) Filed: **May 9, 2019**

**Related U.S. Application Data**

(63) Continuation of application No. 29/639,811, filed on Mar. 8, 2018.

(51) **LOC (12) Cl.** ..... **14-04**

(52) **U.S. Cl.**  
USPC ..... **D14/492; D14/490**

(58) **Field of Classification Search**  
USPC ..... D14/485–495  
CPC ... B60K 37/00; G06F 3/0481; G06F 3/04845; G06F 3/04817; G06F 17/212; G06F 19/3406; G06T 13/80; G06T 15/02  
See application file for complete search history.

(56) **References Cited**

**U.S. PATENT DOCUMENTS**

D472,902 S \* 4/2003 Nashida ..... D14/491  
D588,151 S \* 3/2009 Okada ..... D14/488  
7,502,785 B2 \* 3/2009 Chen ..... G06F 16/164

7,573,522 B2 \* 8/2009 Kim ..... H04N 5/23293  
348/208.12  
D640,269 S \* 6/2011 Chen ..... D14/487  
D663,744 S \* 7/2012 Tanghe ..... D14/489  
D761,268 S \* 7/2016 Oh ..... D14/485  
D762,671 S \* 8/2016 Chan ..... D14/485  
D768,147 S \* 10/2016 Yoo ..... D14/485  
D776,124 S \* 1/2017 Lee ..... D14/485  
D781,915 S \* 3/2017 Vazquez ..... D14/494  
D795,294 S \* 8/2017 Faulkner ..... D14/489  
D797,793 S \* 9/2017 Nichols ..... D14/486  
D798,334 S \* 9/2017 Dye ..... D14/489

(Continued)

*Primary Examiner* — Philip S Hyder

*Assistant Examiner* — Cary M Robinson

(74) *Attorney, Agent, or Firm* — Finnegan, Henderson, Farabow, Garrett & Dunner, LLP

(57) **CLAIM**

The ornamental design for a display screen with animated graphical user interface, as shown and described.

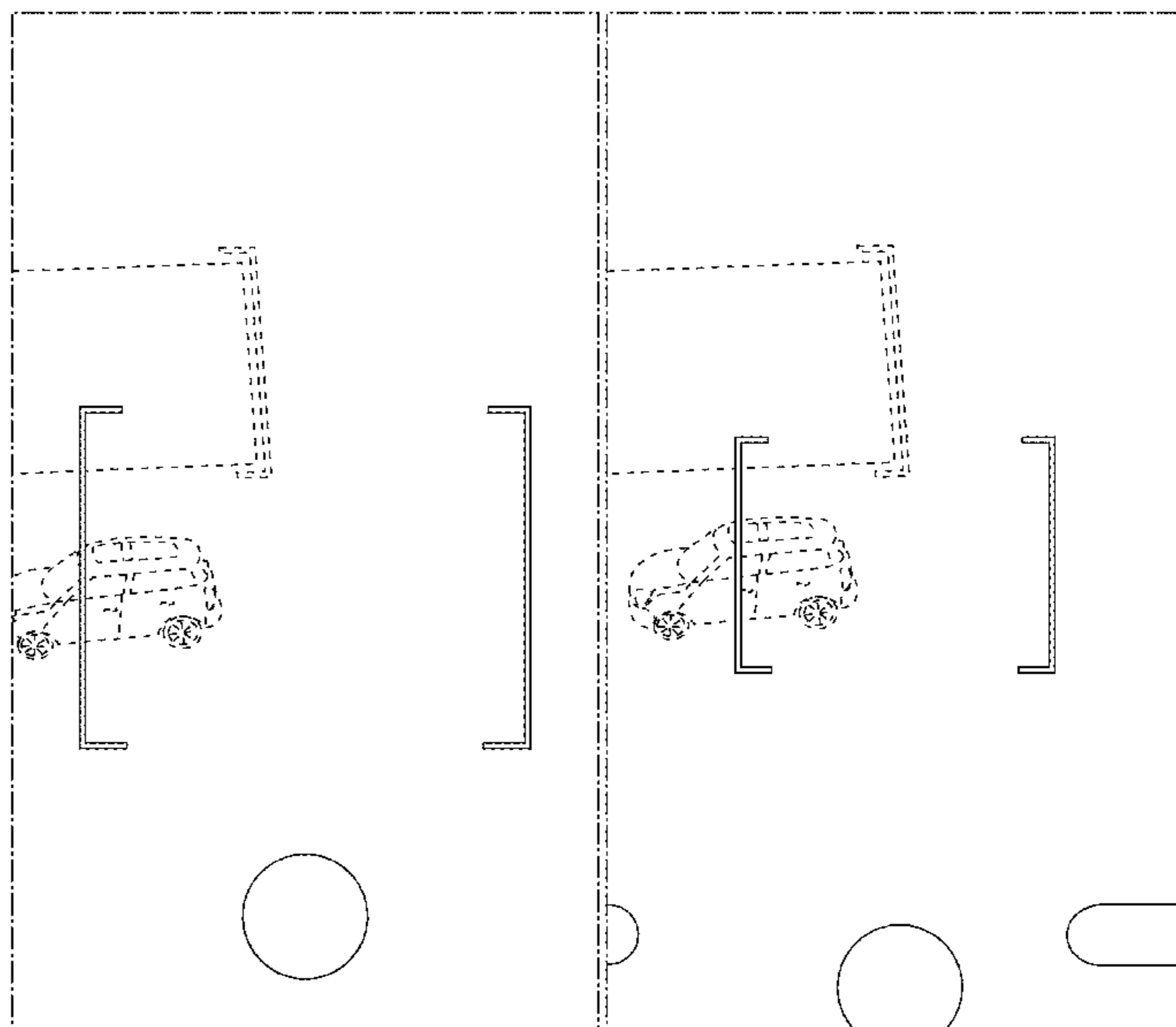
**DESCRIPTION**

FIG. 1 is a front view of a display screen with animated graphical user interface, showing our new design; FIG. 2 is a front view of a second image thereof; FIG. 3 is a front view of a third image thereof; FIG. 4 is a front view of a fourth image thereof; FIG. 5 is a front view of a fifth image thereof; and, FIG. 6 is a front view of a sixth image thereof.

The appearance of the animated graphical user interface sequentially transitions between the images shown in FIGS. 1-6. The process or period in which one image transitions to another image forms no part of the claimed design.

The broken lines of uneven length show the display screen and form no part of the claimed design. The broken lines of even length illustrate portions of the display screen with animated graphical user interface that form no part of the claimed design.

**1 Claim, 6 Drawing Sheets**



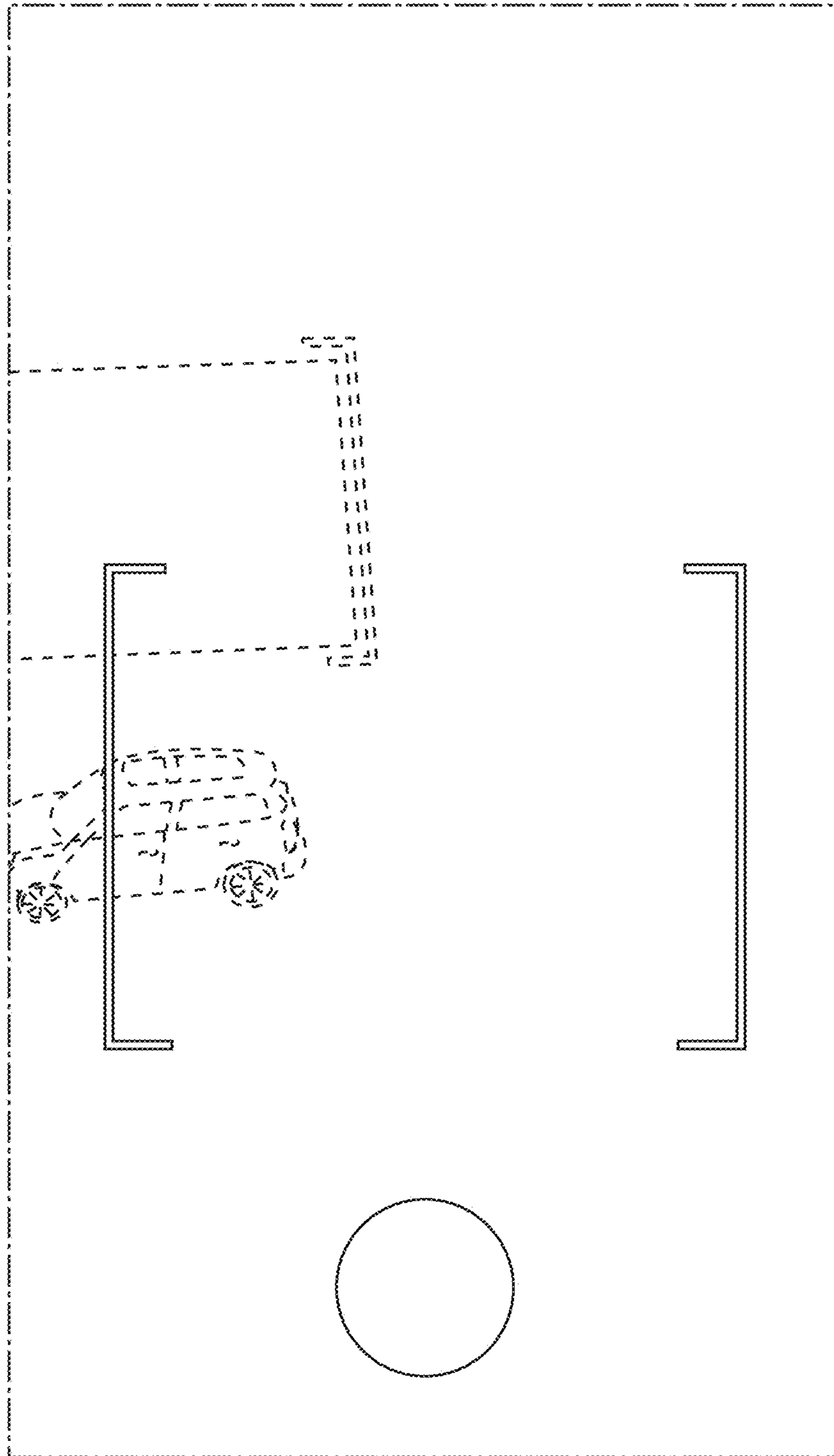
(56)

**References Cited**

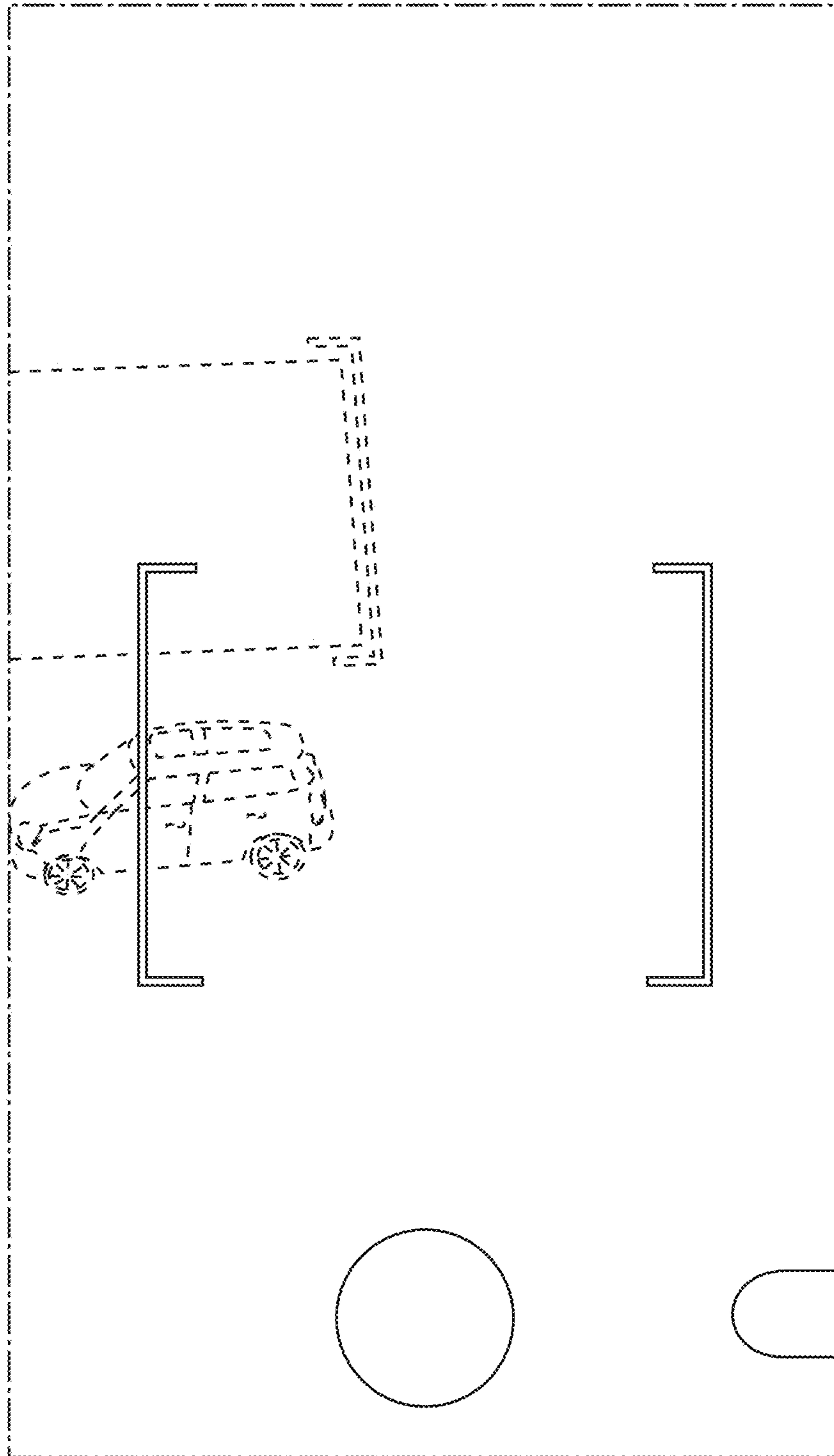
U.S. PATENT DOCUMENTS

D802,607 S \* 11/2017 Apodaca ..... D14/485  
D803,858 S \* 11/2017 Su ..... D14/486  
D810,781 S \* 2/2018 Park ..... D14/492  
D832,290 S \* 10/2018 Tran ..... G06Q 50/22  
D14/486  
D835,669 S \* 12/2018 Hong ..... D14/492  
D835,670 S \* 12/2018 Hong ..... D14/492  
2013/0265270 A1 \* 10/2013 Tempas ..... A61H 23/02  
345/174  
2014/0192229 A1 \* 7/2014 Kim ..... G06K 9/00302  
348/231.3  
2014/0192232 A1 \* 7/2014 Park ..... H04N 5/76  
348/231.99  
2016/0110085 A1 \* 4/2016 Barton ..... H04L 12/2823  
715/736

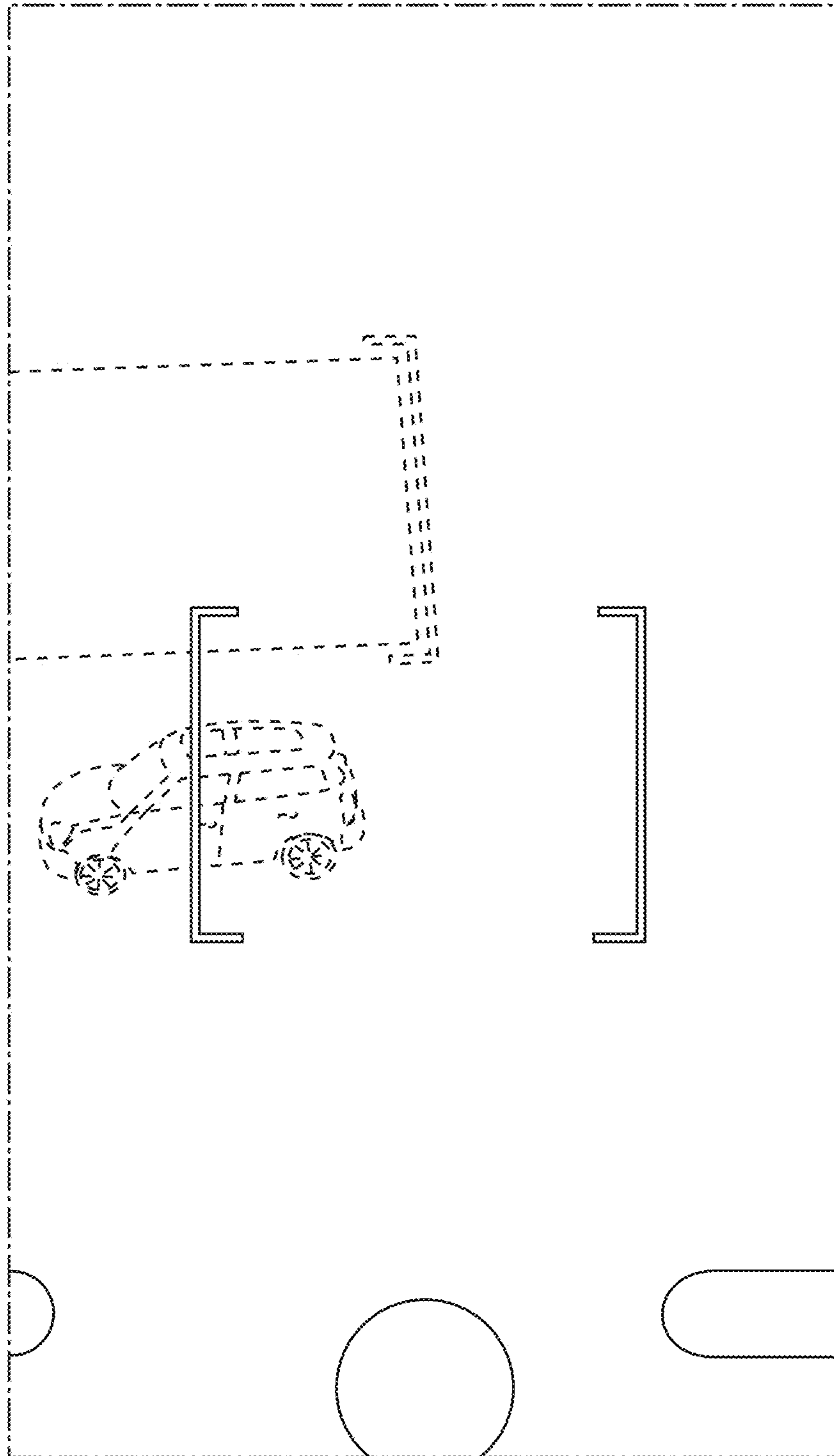
\* cited by examiner



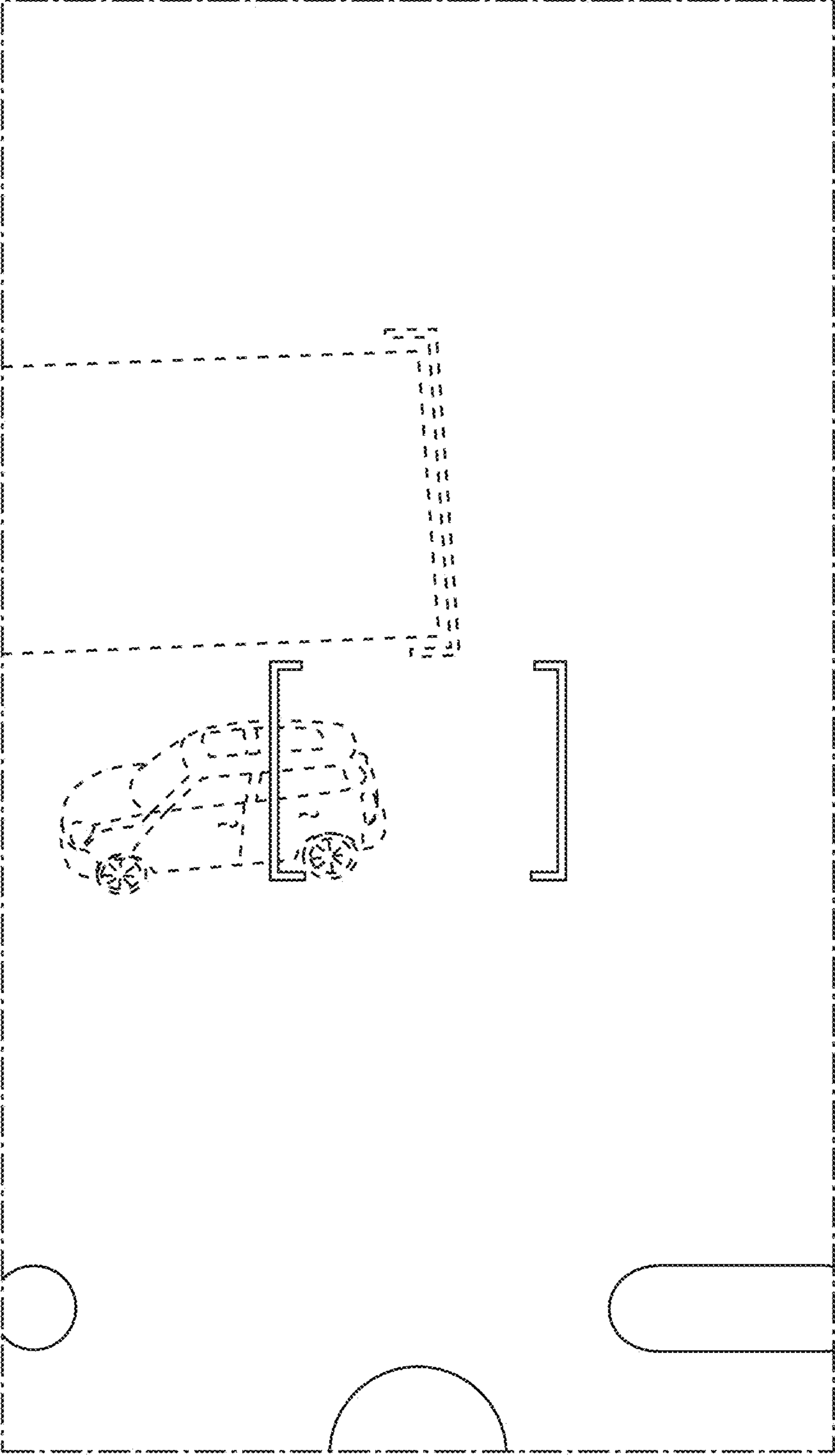
**FIG. 1**



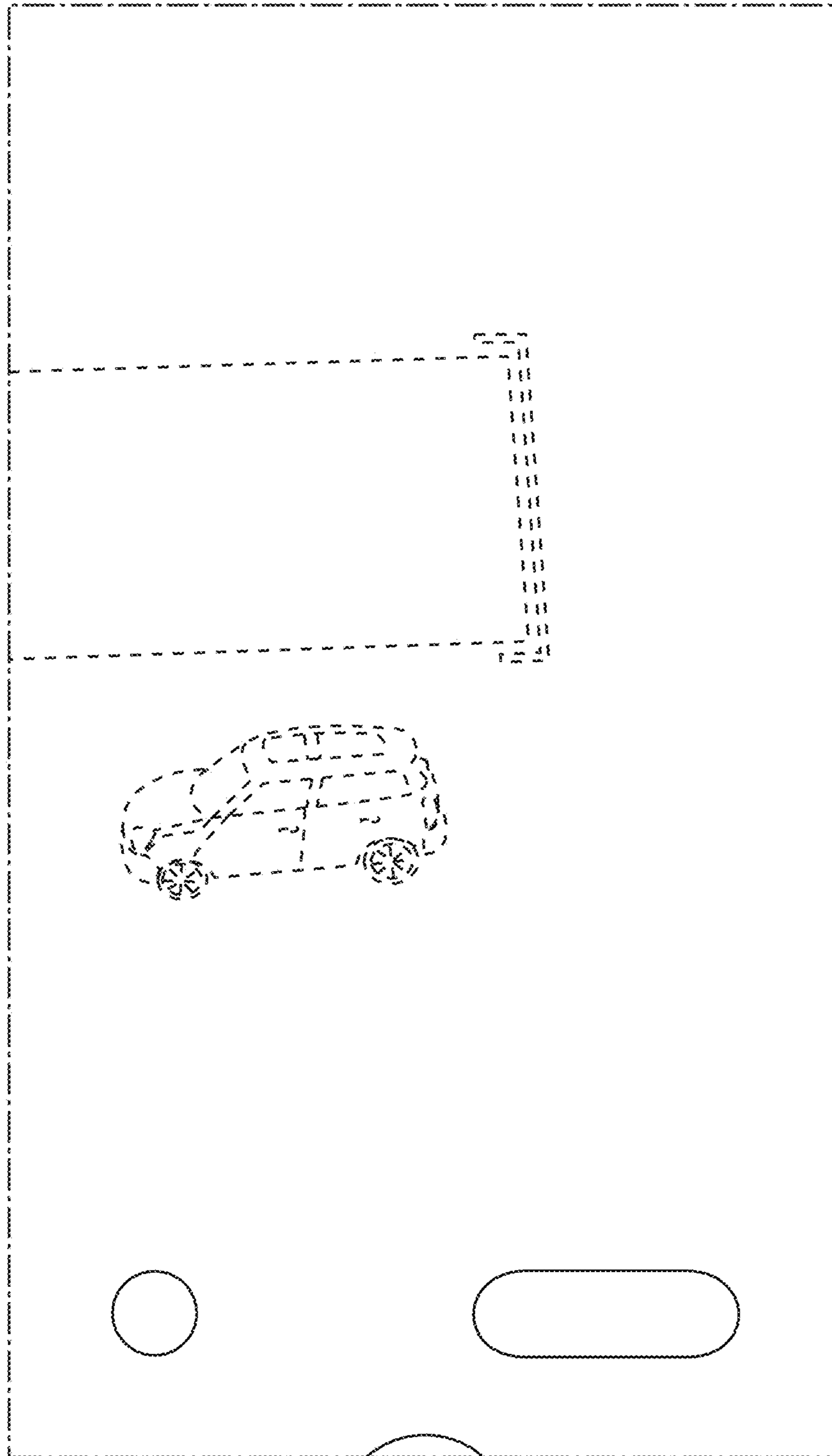
**FIG. 2**



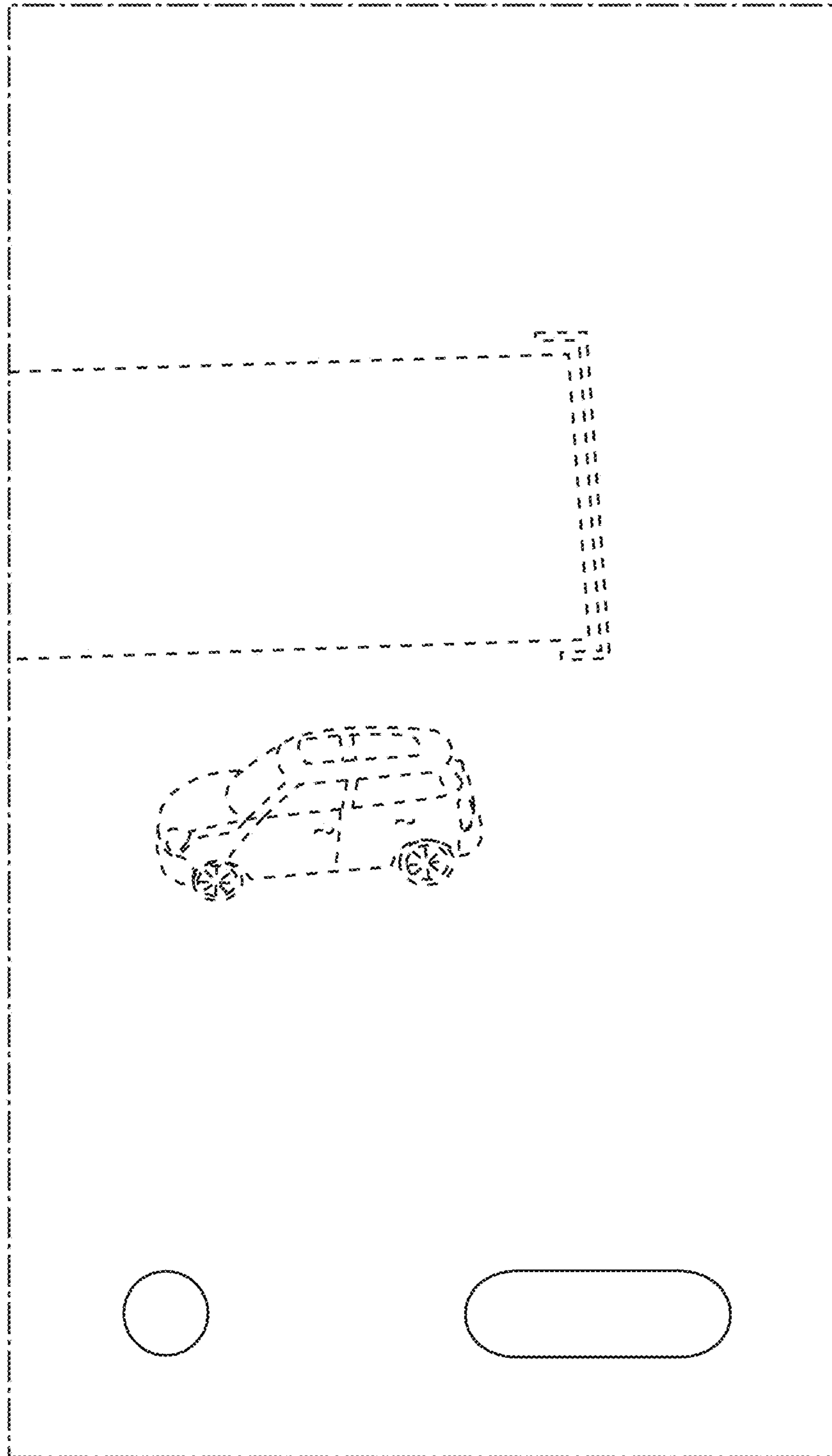
**FIG. 3**



**FIG. 4**



**FIG. 5**



**FIG. 6**