



US00D873830S

(12) **United States Design Patent**
Cheng

(10) **Patent No.:** **US D873,830 S**
(45) **Date of Patent:** **** Jan. 28, 2020**

(54) **DOCKING STATION FOR TABLET
COMPUTER**

(71) Applicant: **Getac Technology Corporation,**
Hsinchu County (TW)

(72) Inventor: **Chi Cheng,** Taipei (TW)

(73) Assignee: **GETAC TECHNOLOGY
CORPORATION,** Hsinchu County
(TW)

(**) Term: **15 Years**

(21) Appl. No.: **29/653,469**

(22) Filed: **Jun. 15, 2018**

(51) **LOC (12) Cl.** **14-02**

(52) **U.S. Cl.**
USPC **D14/434**

(58) **Field of Classification Search**
USPC D14/434, 356, 358, 447, 496, 149, 221,
D14/224, 224.1, 238.1, 240, 251, 252,
D14/253, 209.1, 217, 168, 172; D13/107,
D13/108
CPC G06F 1/16; G06F 1/1616; G06F 1/1626;
G06F 1/1632; G06F 1/1675; G06F
1/1688; F16M 11/10; F16M 11/24; H05K
5/0234; H04M 1/04

See application file for complete search history.

(56) **References Cited**

U.S. PATENT DOCUMENTS

D585,897 S *	2/2009	Carnevali	D14/434
D586,348 S *	2/2009	Leung	D12/415
D675,212 S *	1/2013	Chen	D14/447
D704,633 S *	5/2014	Ryu	D13/108
D715,773 S *	10/2014	Kim	D14/218
D722,062 S *	2/2015	Zwerner	D14/447
D730,888 S *	6/2015	Malsan	D14/253

(Continued)

Primary Examiner — Marie D. Fast Horse

(74) *Attorney, Agent, or Firm* — Locke Lord LLP; Tim
Tingkang Xia, Esq.

(57) **CLAIM**

The ornamental design for a docking station for tablet
computer, as shown and described.

DESCRIPTION

FIG. 1 is a top, front and right side perspective view showing
a first embodiment of my new design;

FIG. 2 is a top, rear and left side perspective view thereof;
FIG. 3 is a bottom, front and right side perspective view
thereof;

FIG. 4 is a front view thereof;

FIG. 5 is a rear view thereof;

FIG. 6 is a left side view thereof;

FIG. 7 is a right side view thereof;

FIG. 8 is a top view thereof;

FIG. 9 is a bottom view thereof;

FIG. 10 is a reference perspective view of a tablet computer
installed on my new design;

FIG. 11 is a top, front and right side perspective view
showing a second embodiment of my new design;

FIG. 12 is a top, rear and left side perspective view thereof;

FIG. 13 is a bottom, front and right side perspective view
thereof;

FIG. 14 is a front view thereof;

FIG. 15 is a rear view thereof;

FIG. 16 is a left side view thereof;

FIG. 17 is a right side view thereof;

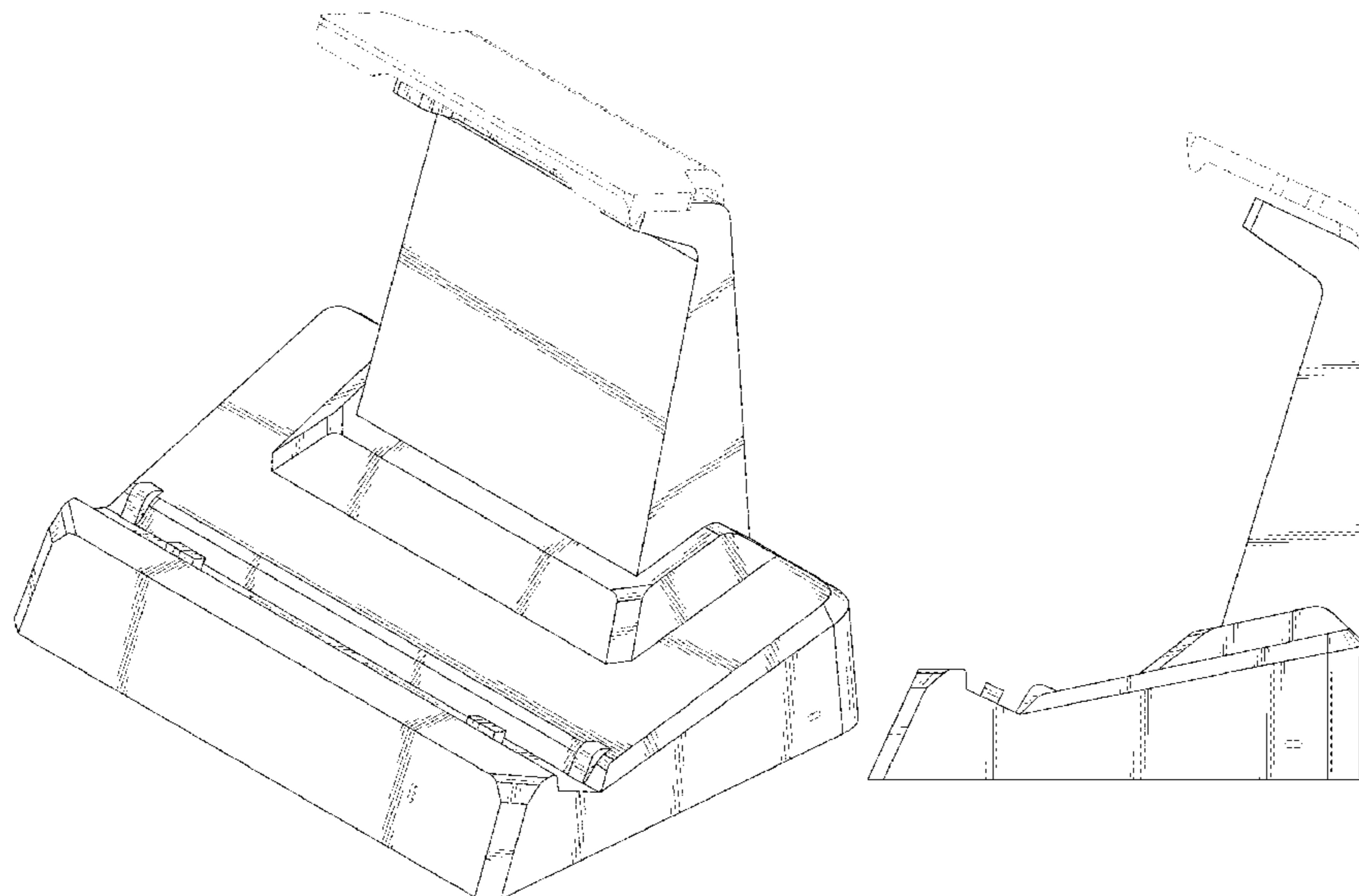
FIG. 18 is a top view thereof;

FIG. 19 is a bottom view thereof; and,

FIG. 20 is a reference perspective view of a tablet computer
installed on my new design.

The broken lines are directed to environment and are for
illustrative purposes only. The broken lines form no part of
the claimed design.

1 Claim, 18 Drawing Sheets



(56)

References Cited

U.S. PATENT DOCUMENTS

D742,885 S	*	11/2015	Chen	D14/434
D771,635 S	*	11/2016	Kuo	D14/434
D782,975 S	*	4/2017	Chen	D13/108
D788,778 S	*	6/2017	Magi	D14/434
D789,886 S	*	6/2017	Socha-Leialoha	D13/108
D817,874 S	*	5/2018	Tsai	D13/108
D829,650 S	*	10/2018	Buller	D13/108
D859,394 S	*	9/2019	Skogrand-Khatib	D14/253

* cited by examiner

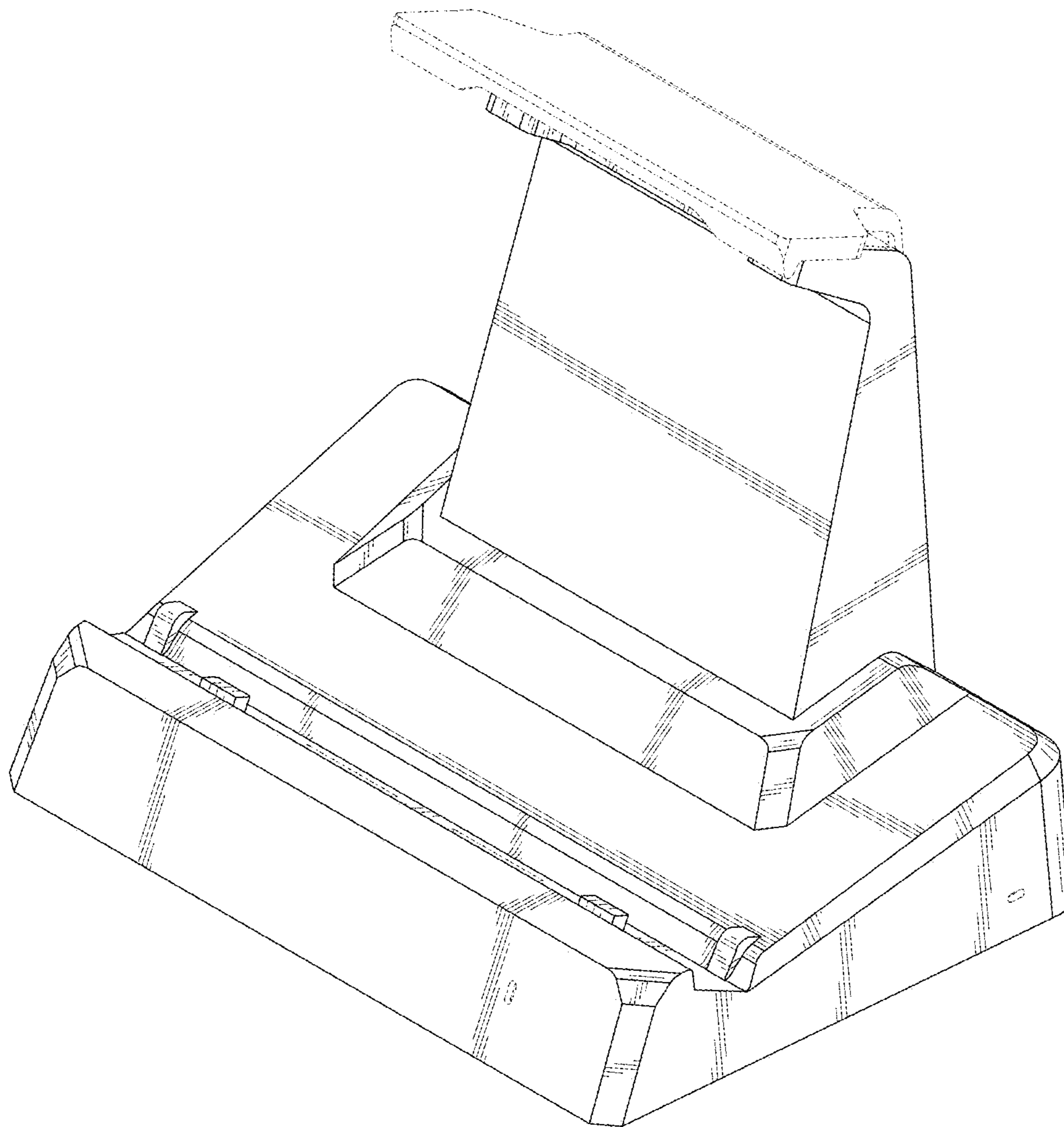


FIG. 1

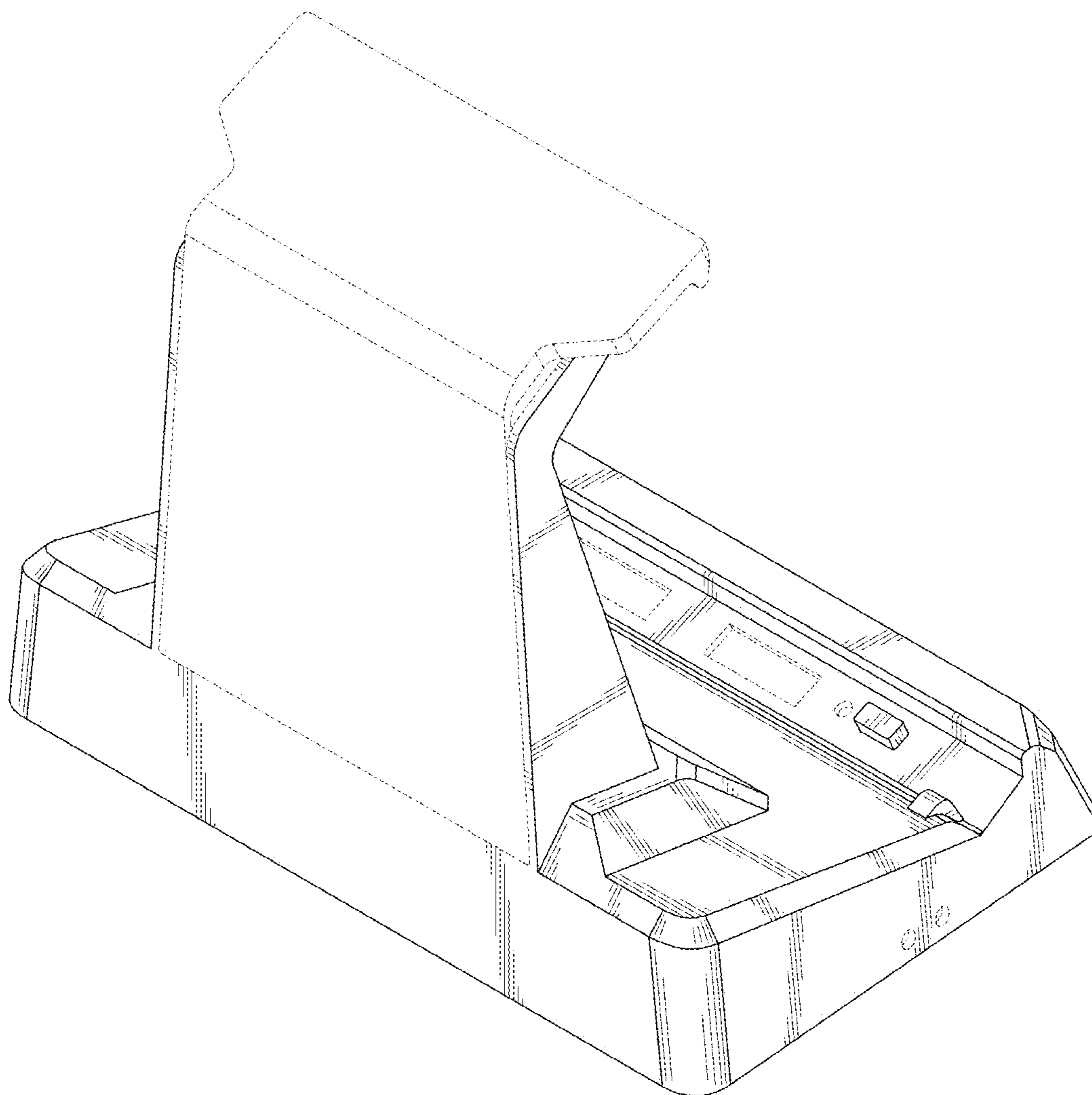


FIG. 2

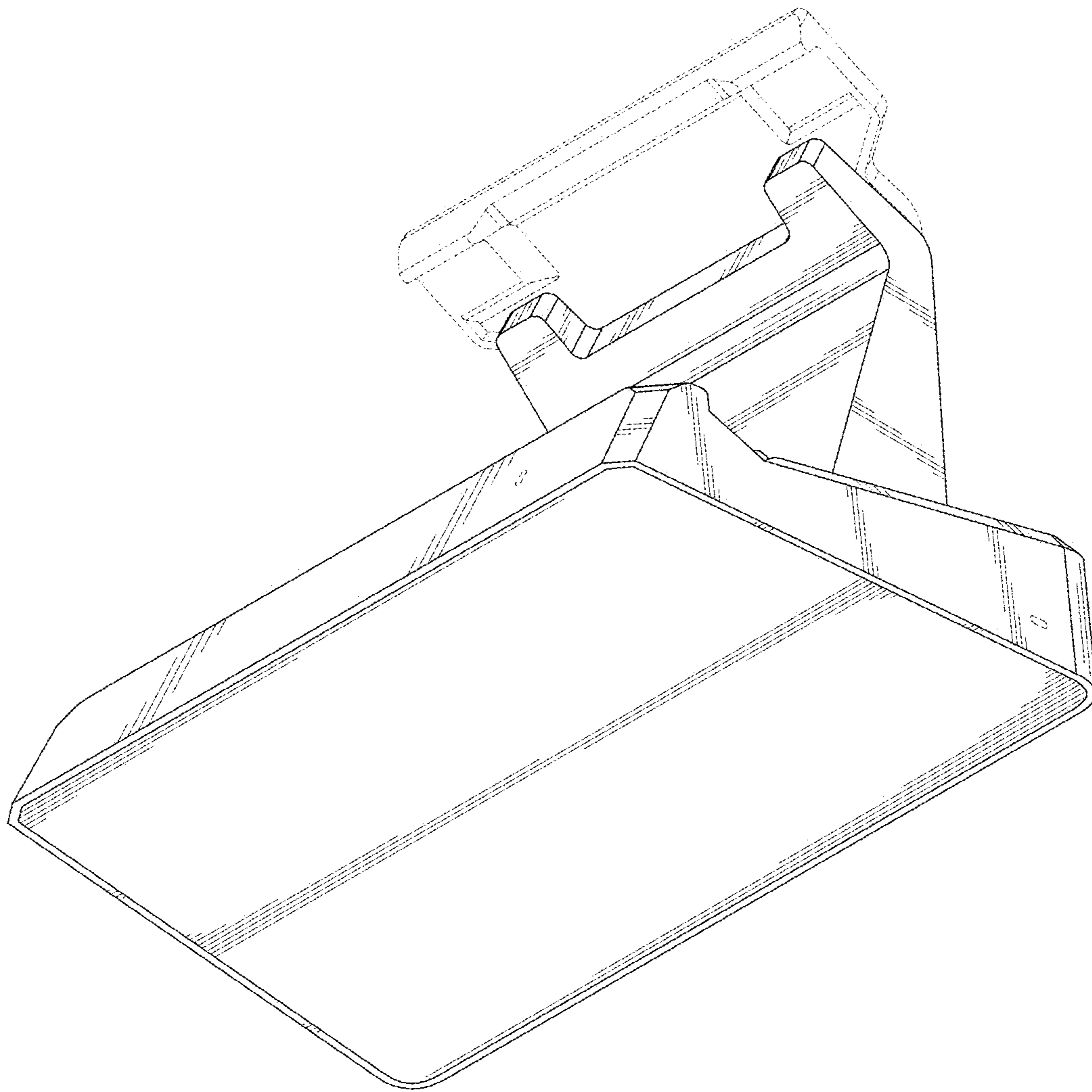


FIG. 3

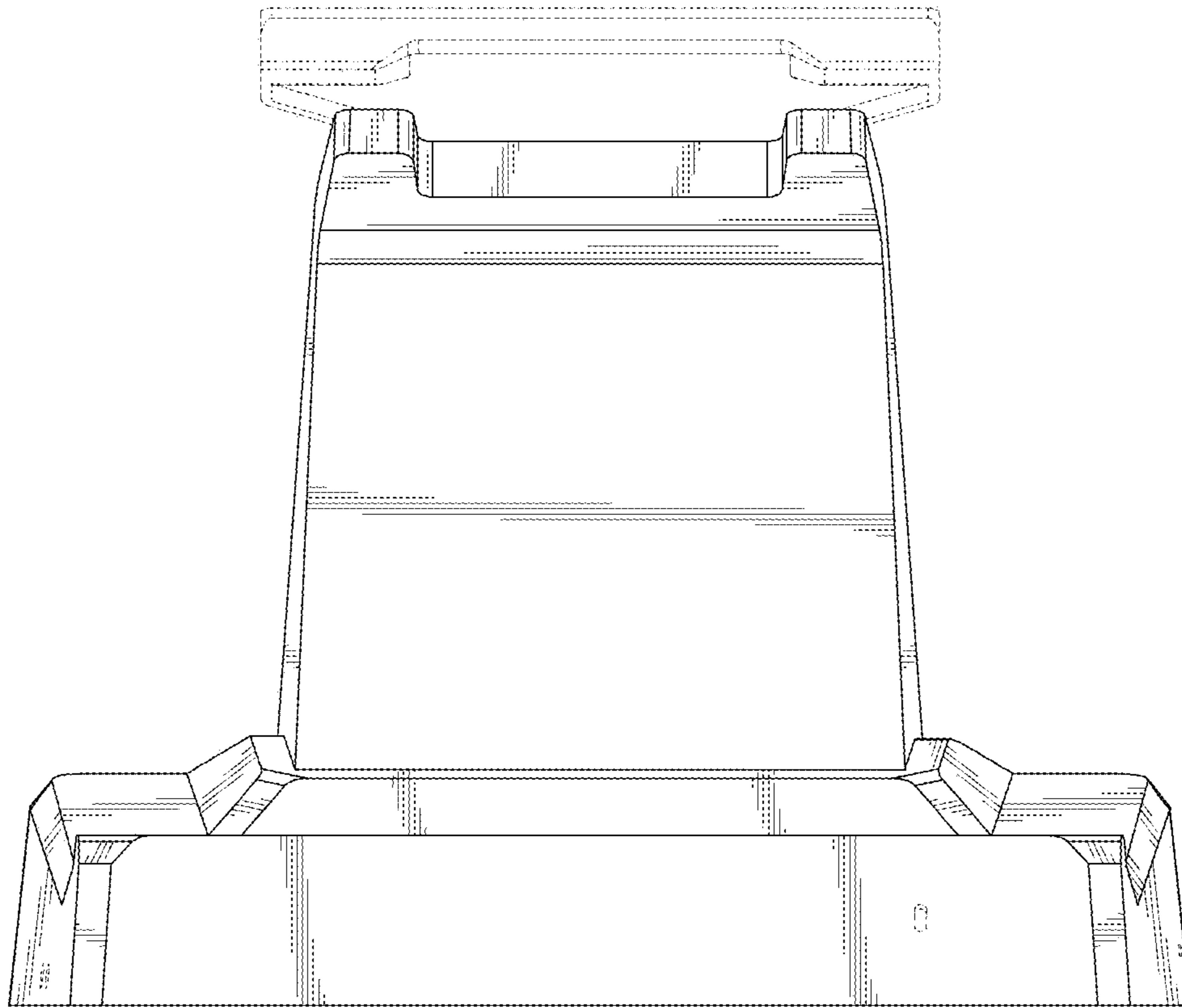


FIG. 4

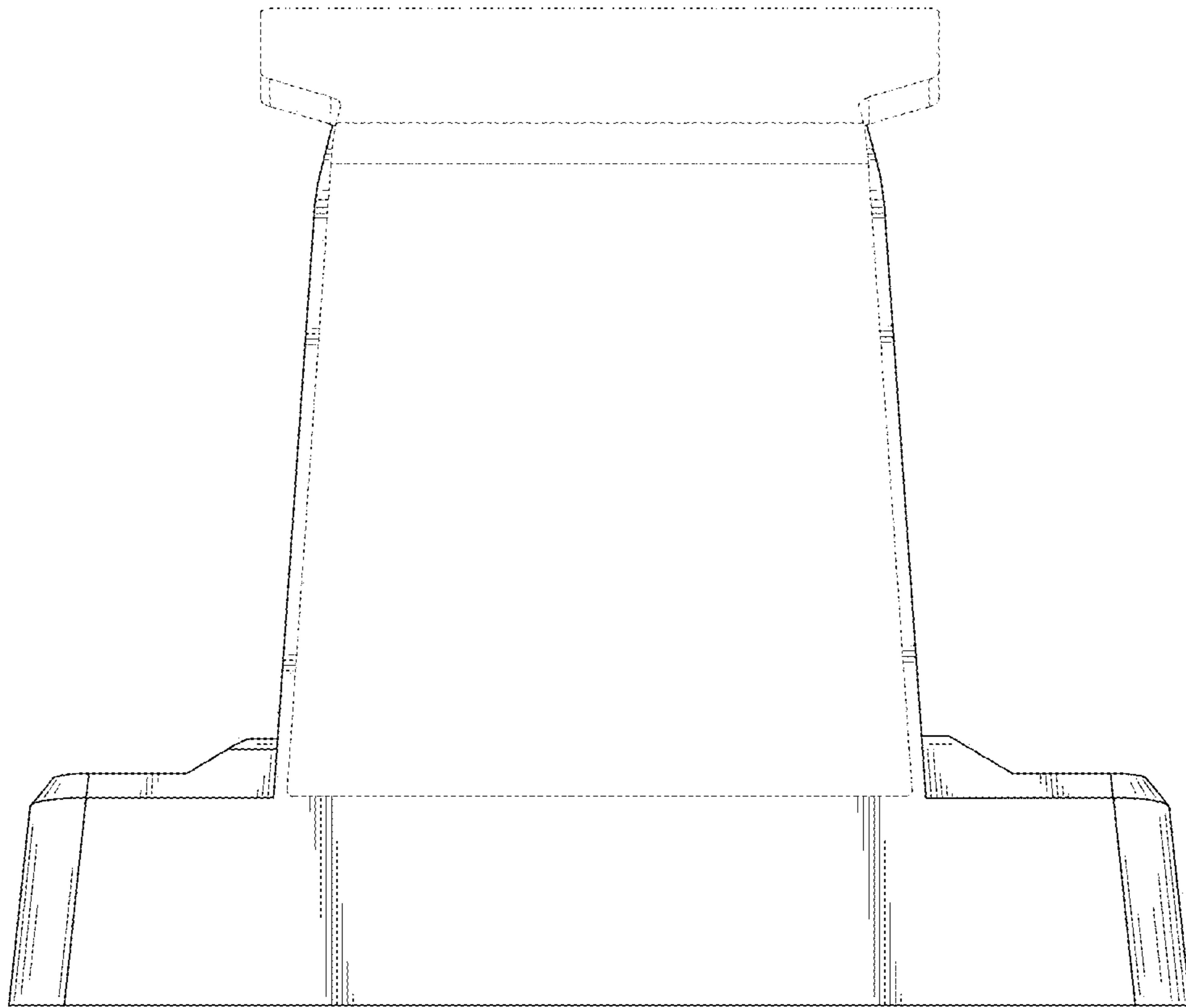


FIG. 5

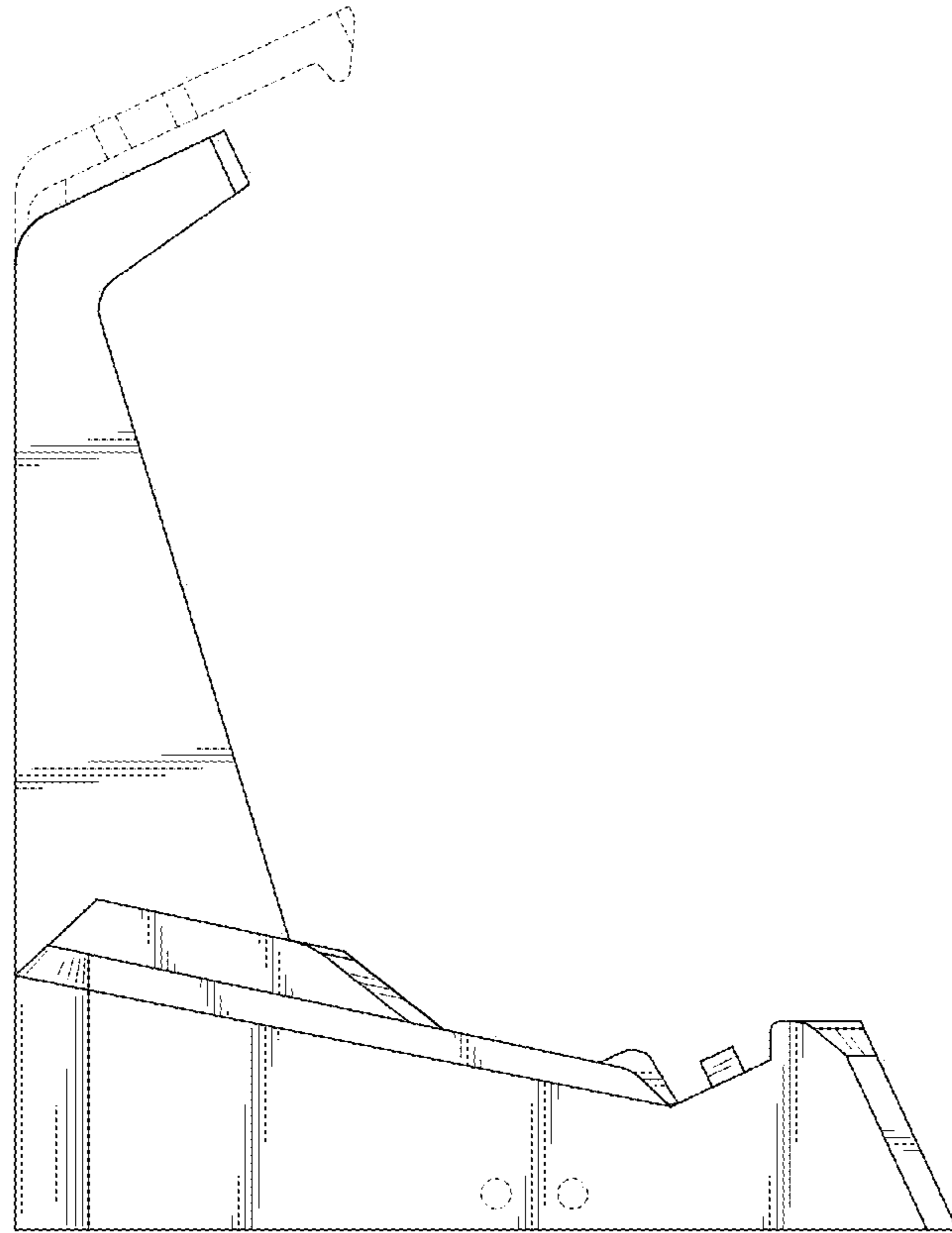


FIG. 6

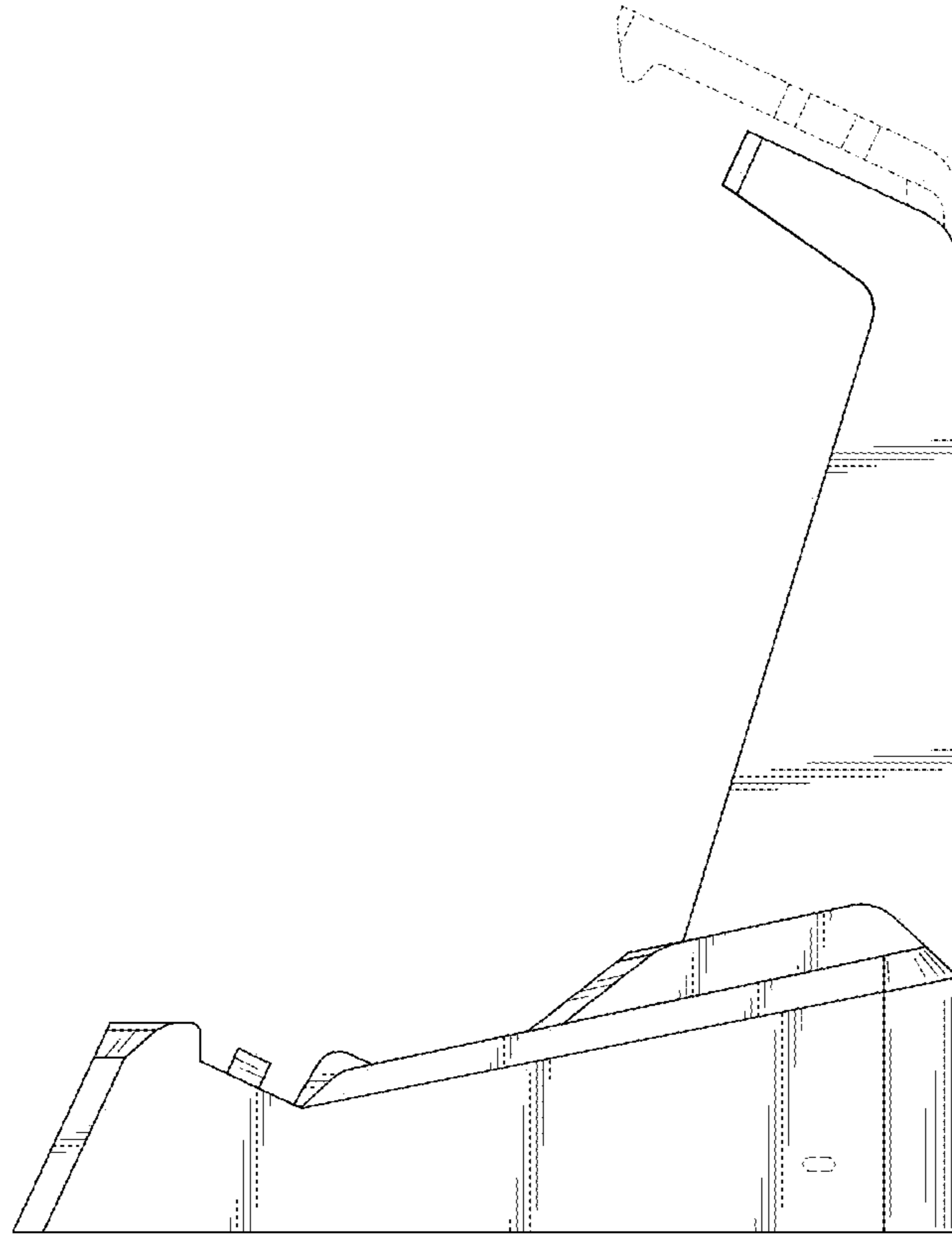


FIG. 7

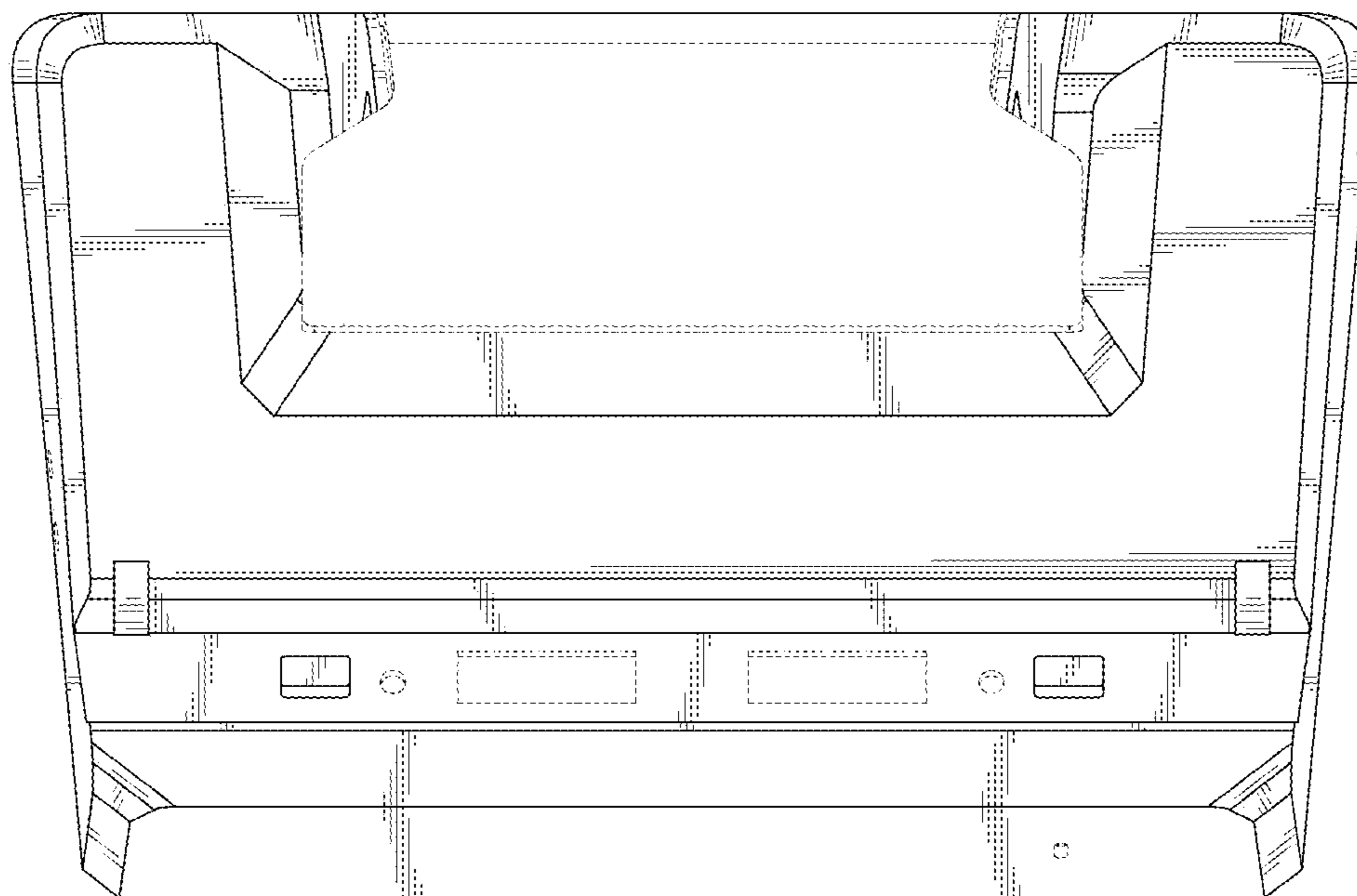


FIG. 8

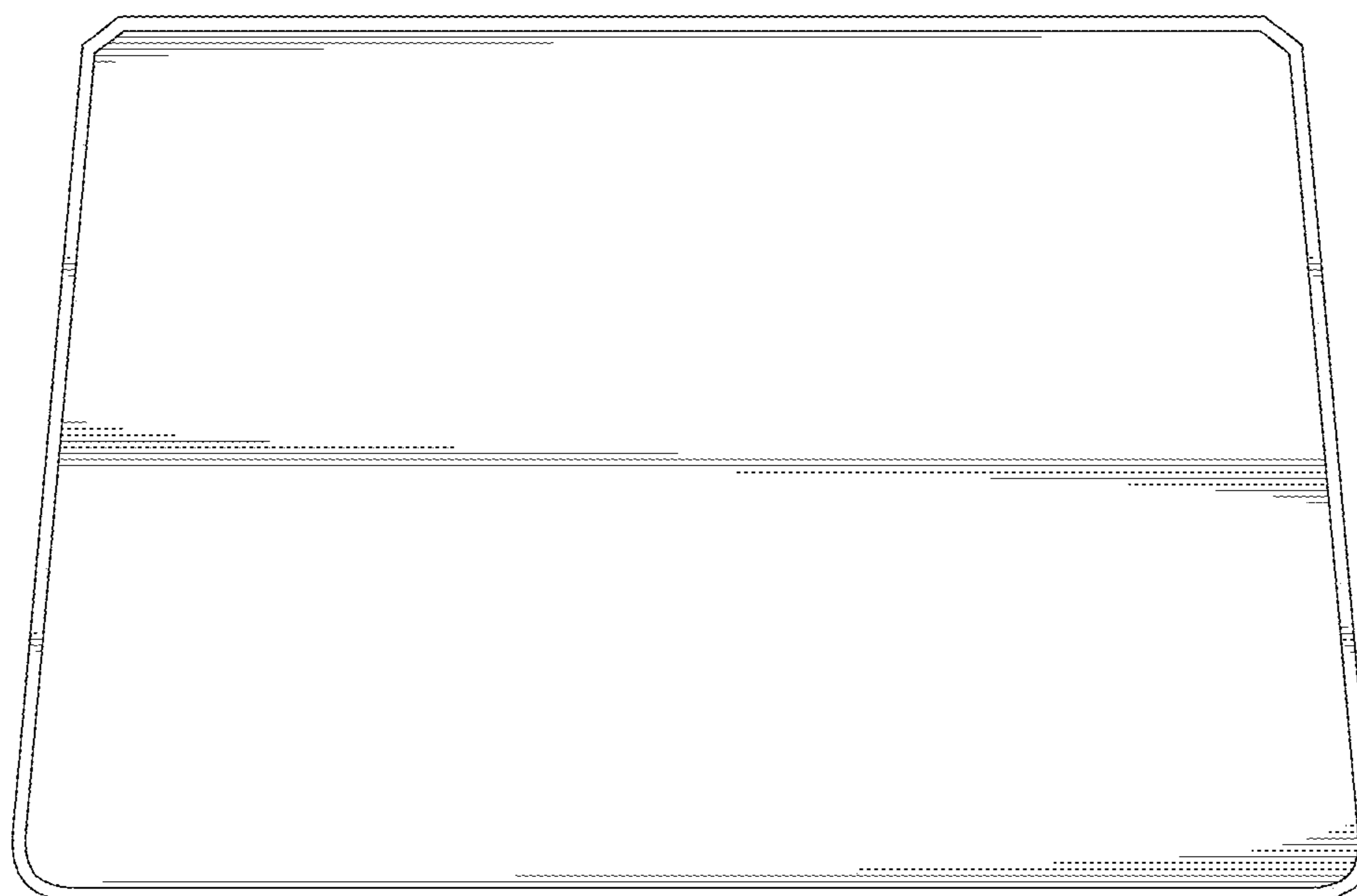


FIG. 9

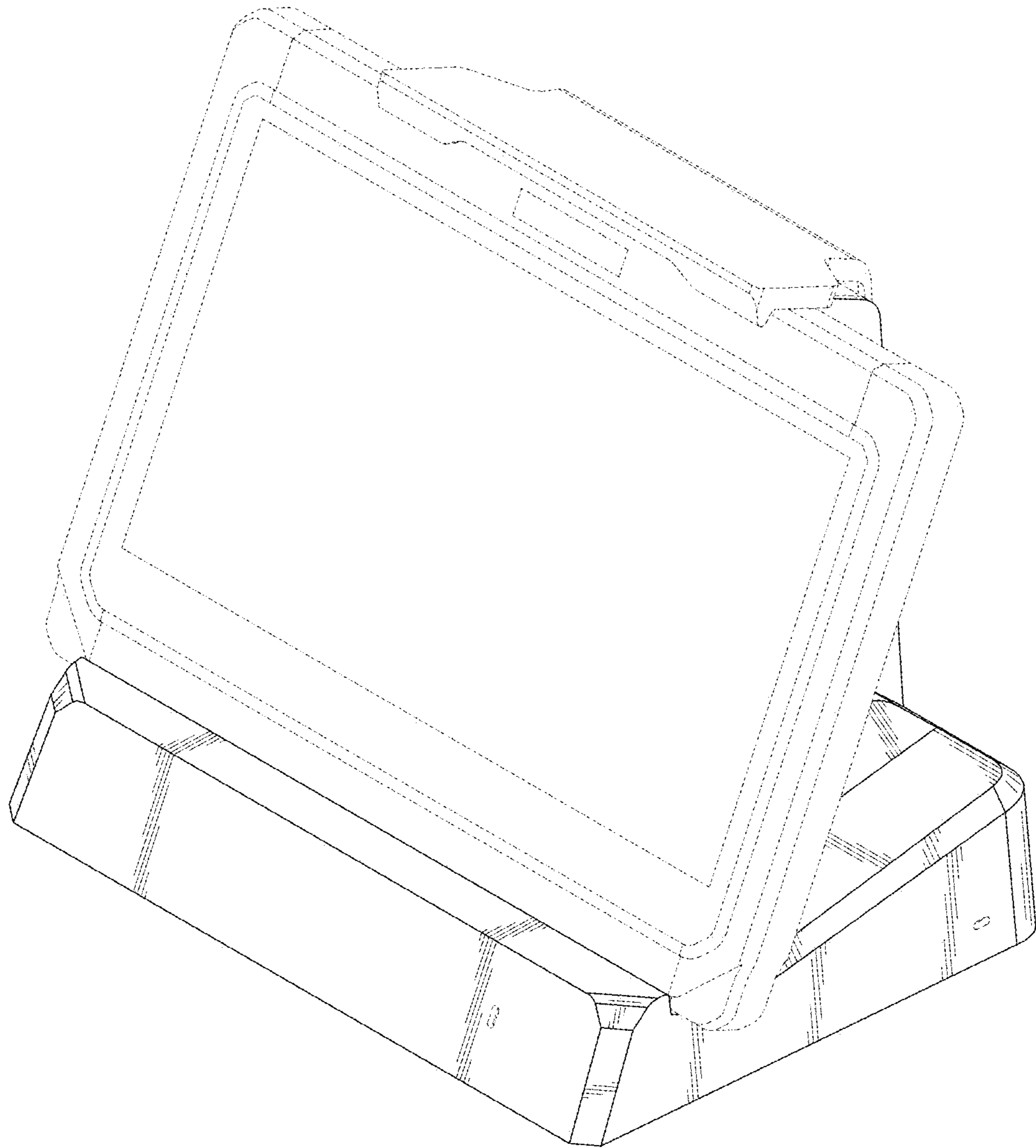


FIG. 10

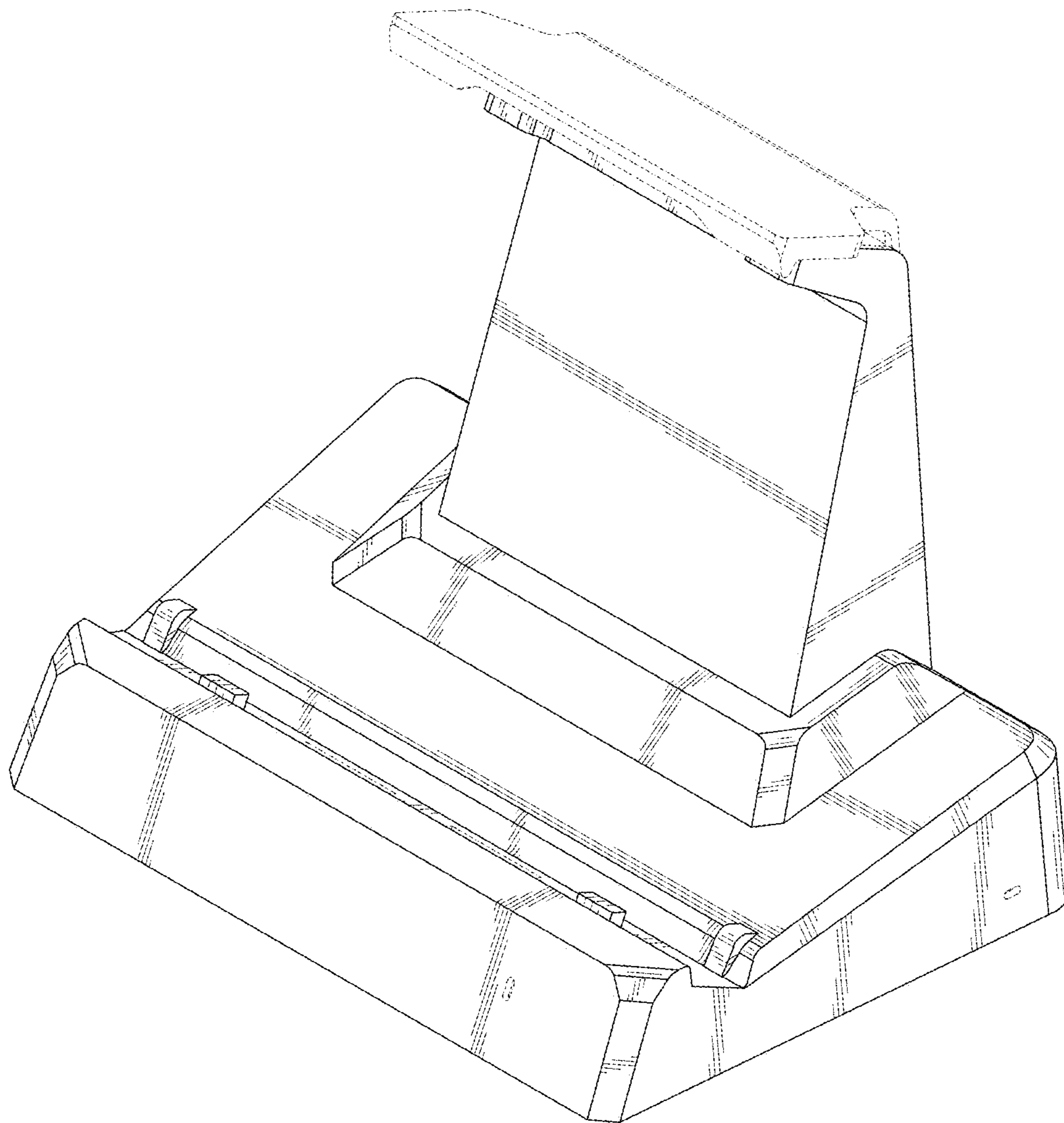


FIG. 11

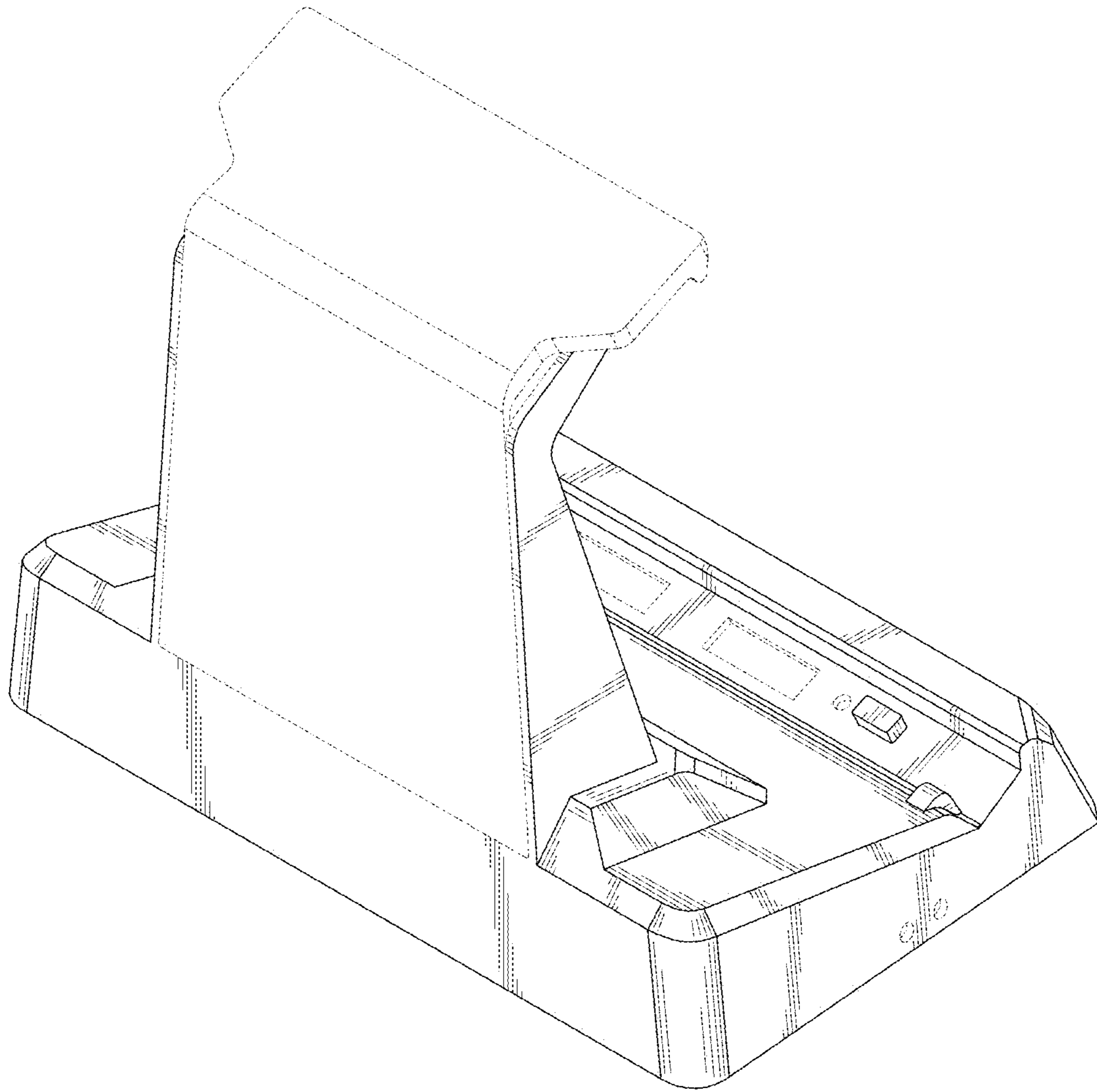


FIG. 12

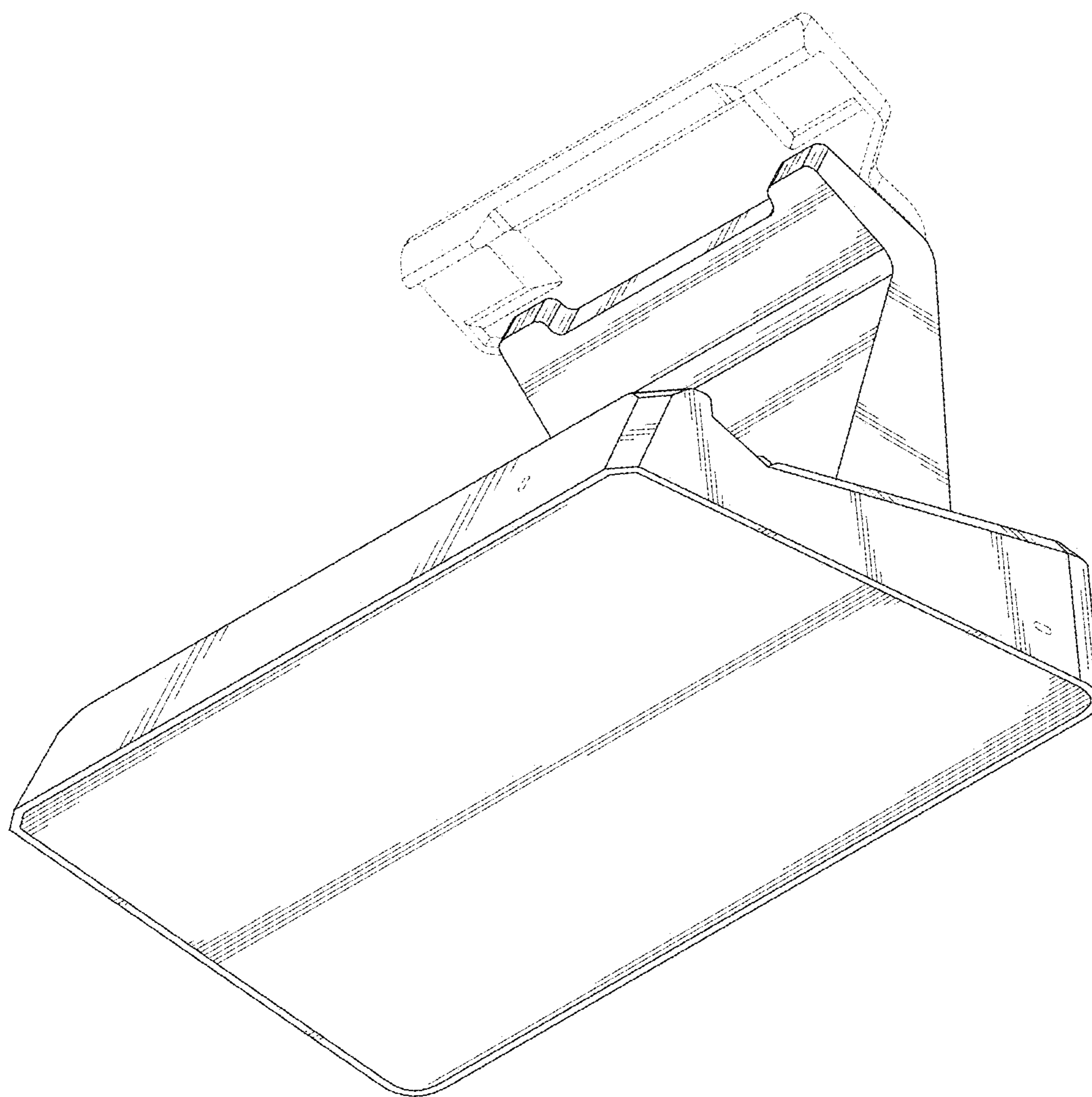


FIG. 13

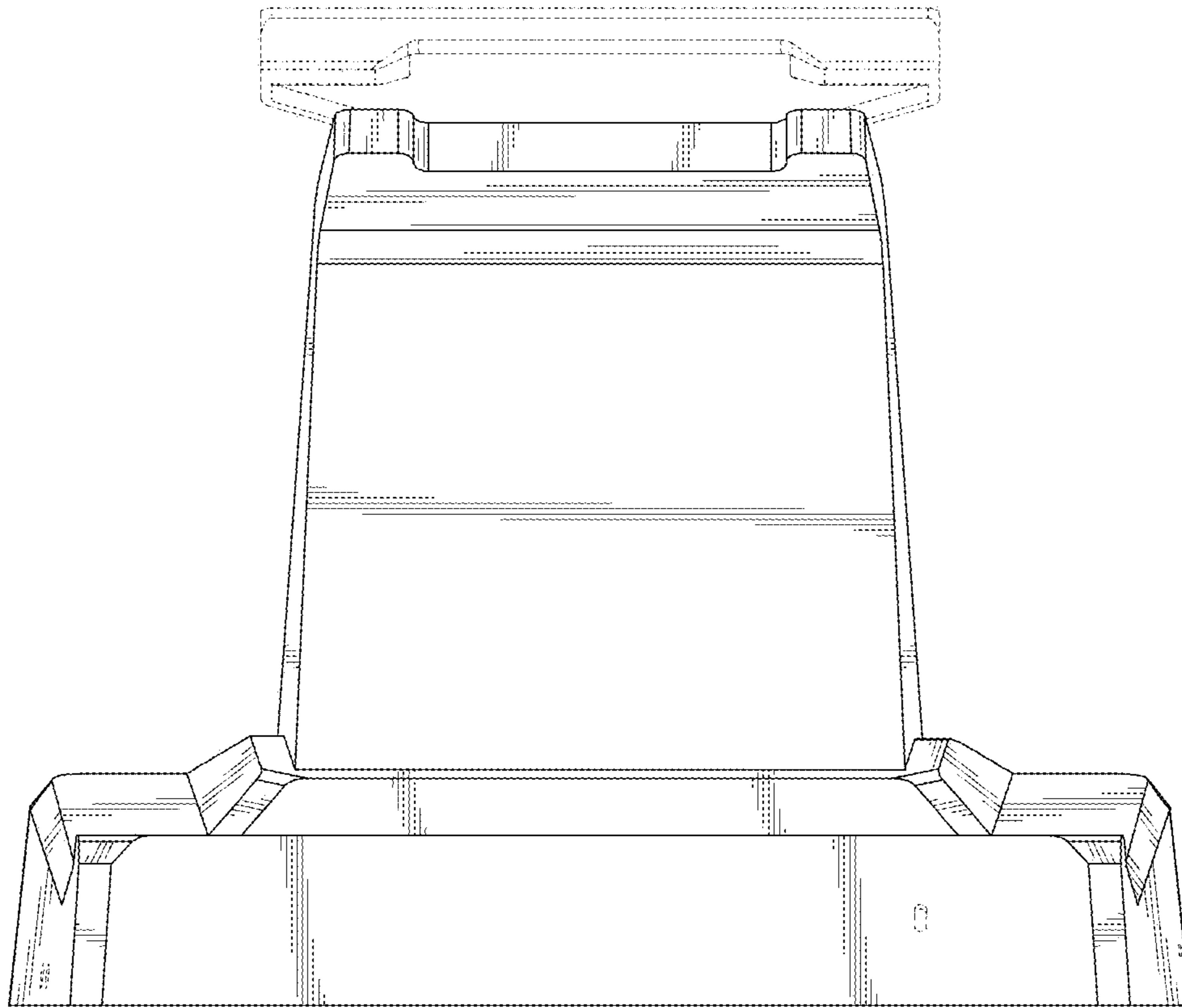


FIG. 14

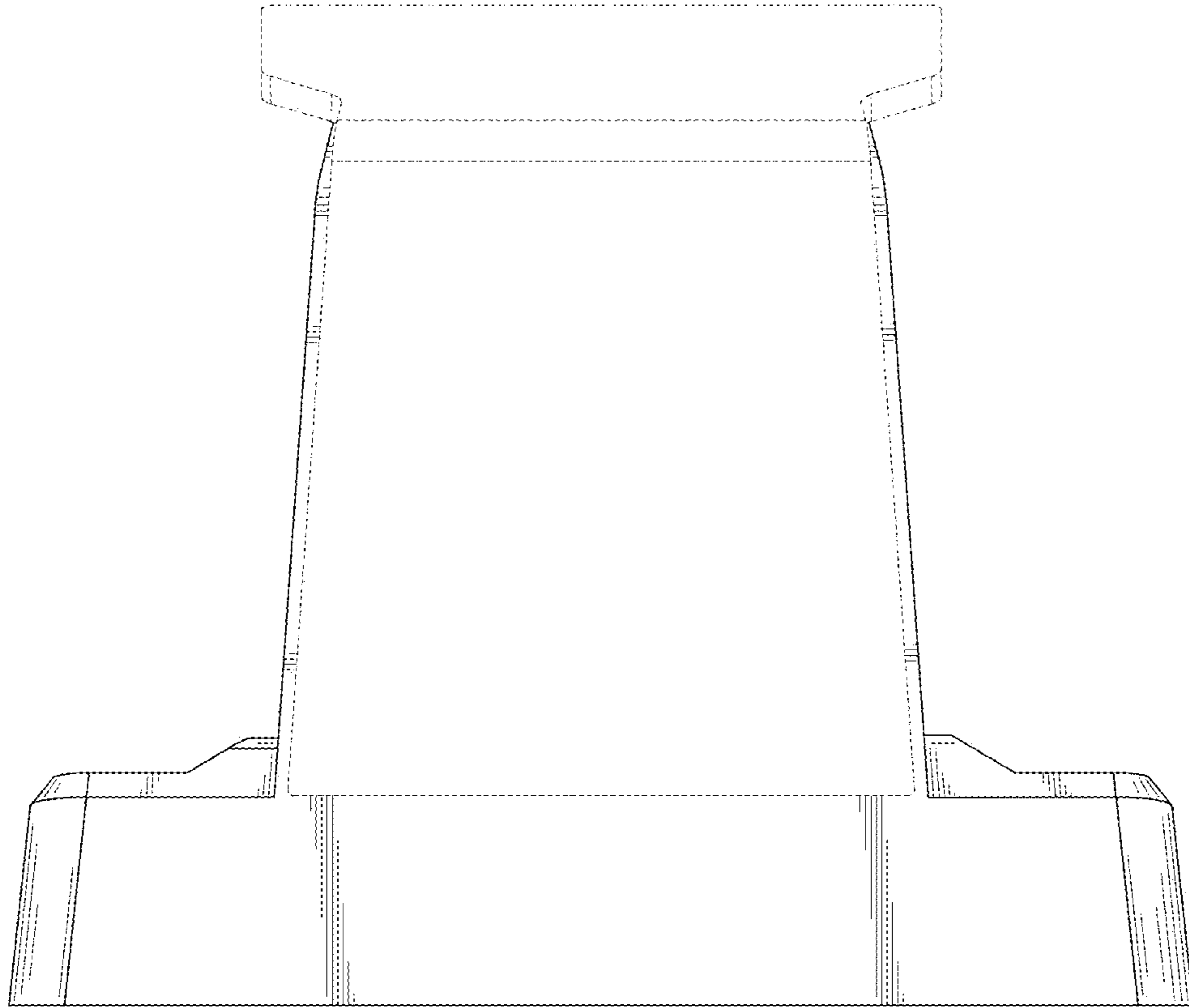


FIG. 15

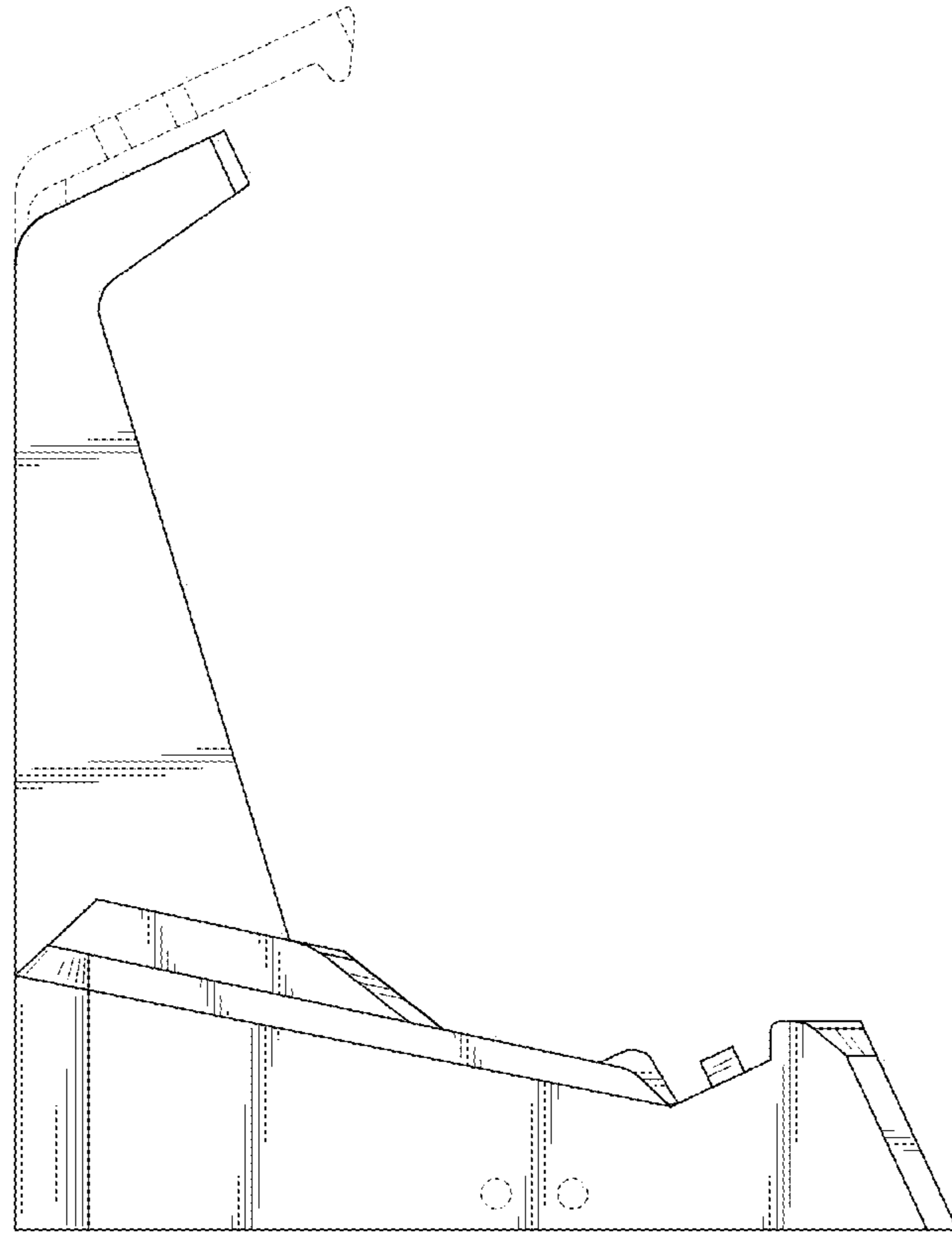


FIG. 16

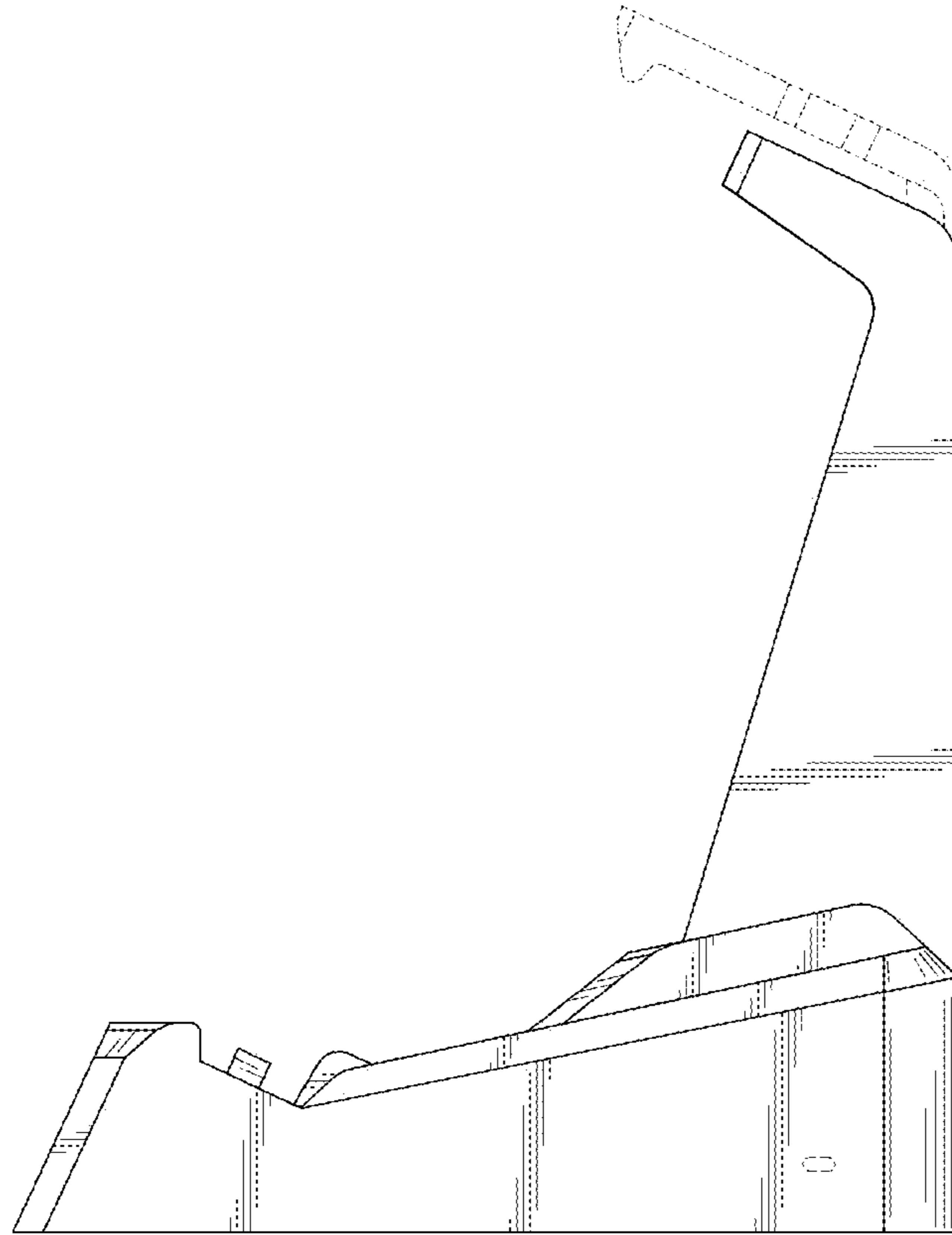


FIG. 17

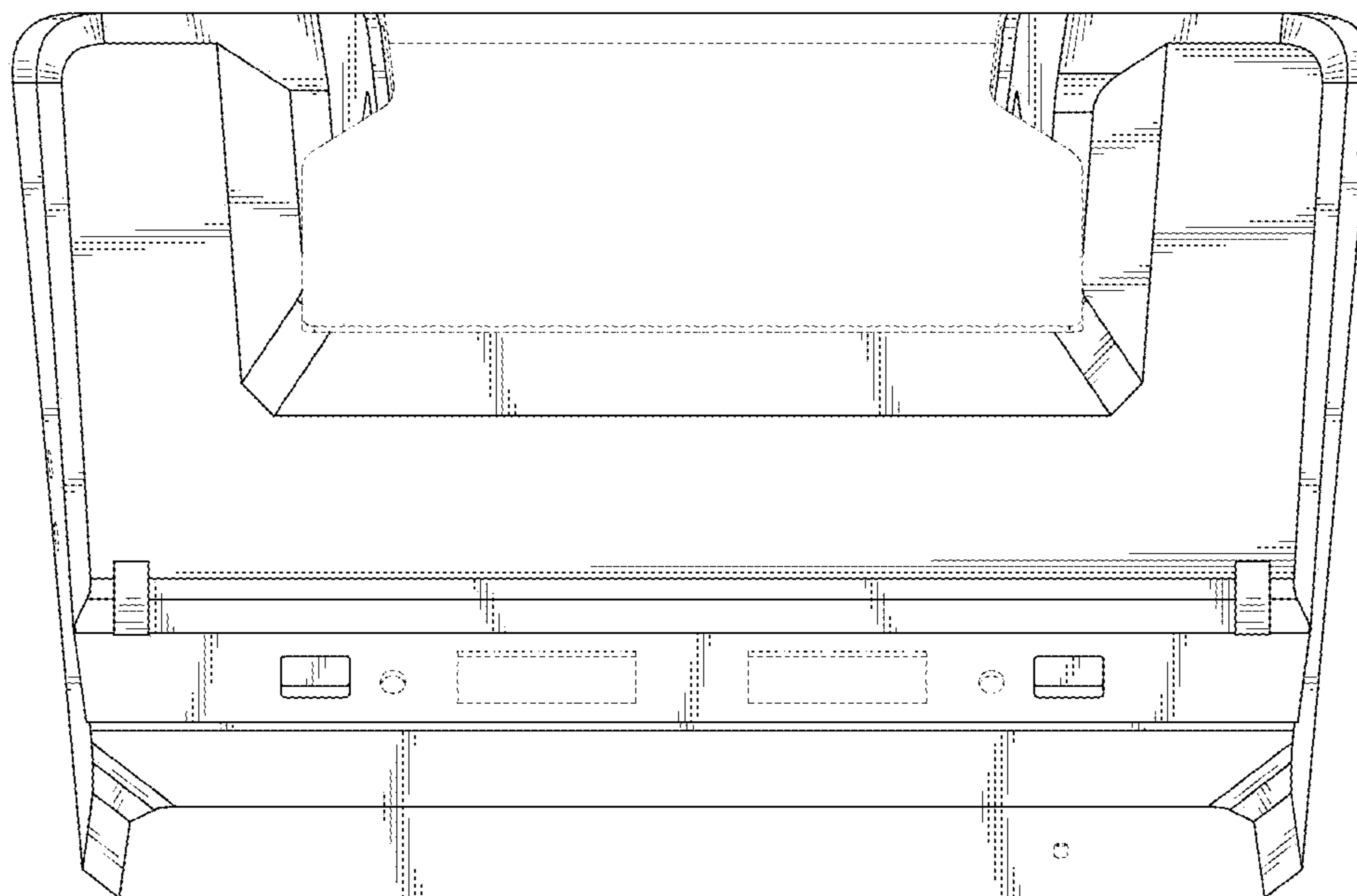


FIG. 18

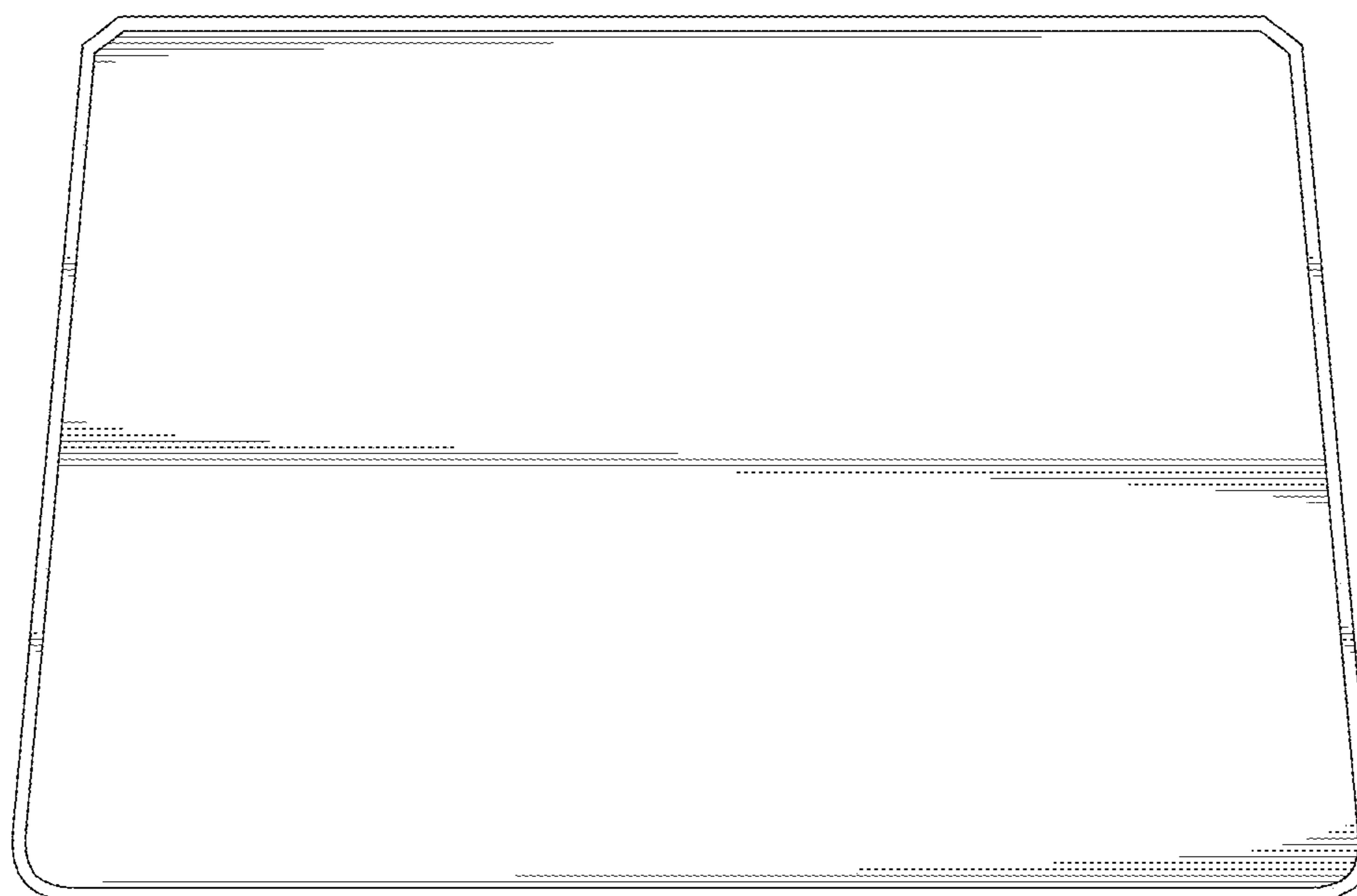


FIG. 19

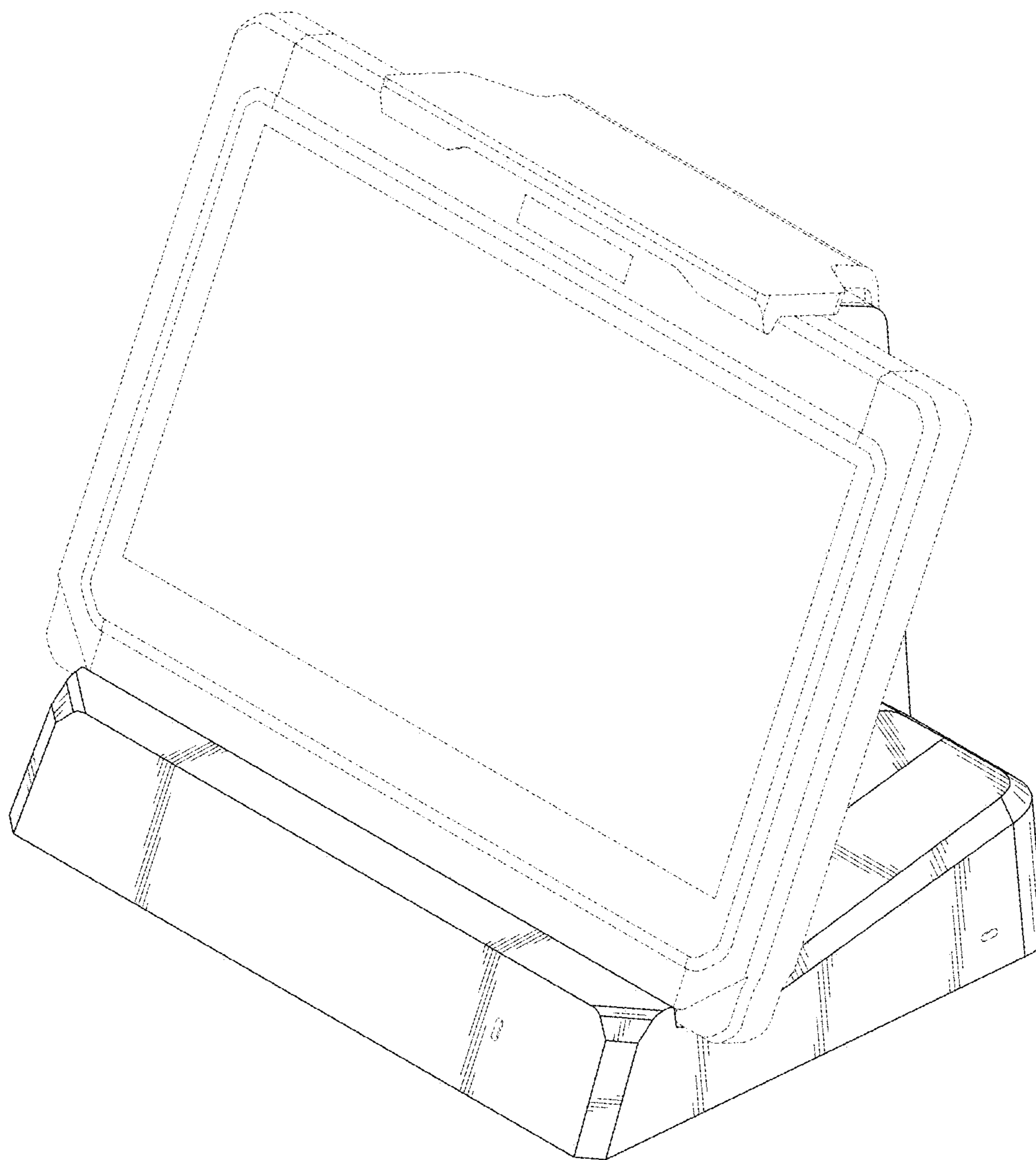


FIG. 20