



US00D873829S

(12) **United States Design Patent** (10) **Patent No.:** **US D873,829 S**
Akana et al. (45) **Date of Patent:** **** Jan. 28, 2020**

(54) **DISPLAY STAND AND ELECTRONIC DEVICE**

(71) Applicant: **Apple Inc.**, Cupertino, CA (US)

(72) Inventors: **Jody Akana**, San Francisco, CA (US);
Bartley K. Andre, Palo Alto, CA (US);
Shota Aoyagi, San Francisco, CA (US);
Anthony Michael Ashcroft, San Francisco, CA (US);
Jeremy Bataillou, San Francisco, CA (US);
Daniel J. Coster, San Francisco, CA (US);
Daniele De Iuliis, San Francisco, CA (US);
M. Evans Hankey, San Francisco, CA (US);
Julian Hoenig, San Francisco, CA (US);
Richard P. Howarth, San Francisco, CA (US);
Jonathan P. Ive, San Francisco, CA (US);
Duncan Robert Kerr, San Francisco, CA (US);
Matthew Dean Rohrbach, San Francisco, CA (US);
Peter Russell-Clarke, San Francisco, CA (US);
Benjamin Andrew Shaffer, San Jose, CA (US);
Mikael Silvanto, San Francisco, CA (US);
Christopher J. Stringer, Woodside, CA (US);
Eugene Antony Whang, San Francisco, CA (US);
Rico Zörkendörfer, San Francisco, CA (US)

(73) Assignee: **Apple Inc.**, Cupertino, CA (US)

(**) Term: **15 Years**

(21) Appl. No.: **29/622,812**

(22) Filed: **Oct. 19, 2017**

Related U.S. Application Data

(63) Continuation of application No. 29/572,679, filed on Jul. 29, 2016, now Pat. No. Des. 800,735, which is a continuation of application No. 29/501,842, filed on Sep. 9, 2014, now Pat. No. Des. 762,649, which is a

continuation of application No. 29/501,043, filed on Aug. 29, 2014, now Pat. No. Des. 762,648.

(51) **LOC (12) CI.** **14-02**

(52) **U.S. CI.**
USPC **D14/434**; D14/447; D14/451

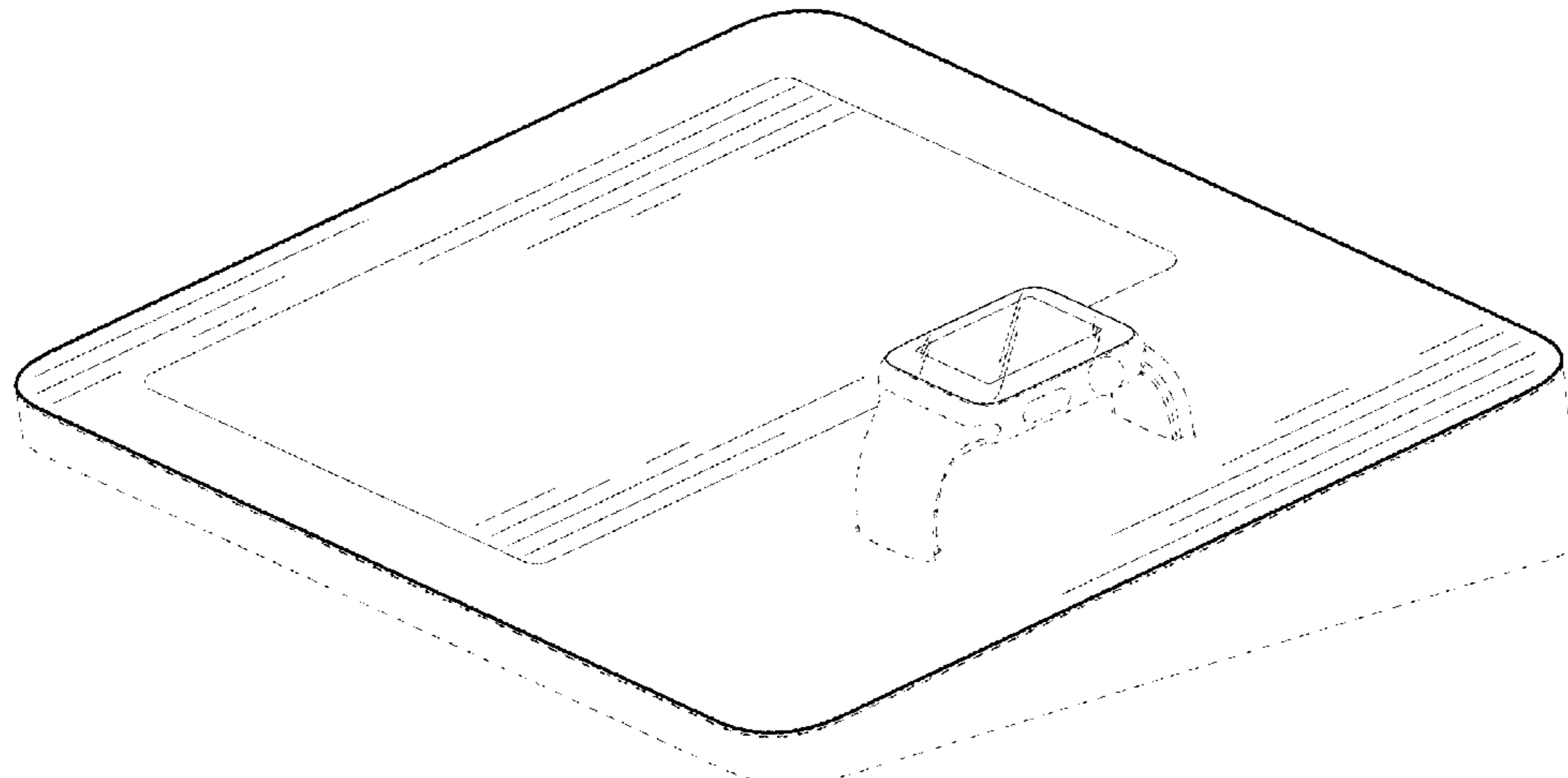
(58) **Field of Classification Search**
USPC D14/432-434, 314, 447, 448, 358, 373, D14/374, 496, 340-346, 127, 129, 142, D14/144, 162, 168, 203.8, 217, 238.1, D14/251, 252, 257; D13/107, 108, 146; D10/30, 2, 31, 62, 70, 103, 109.2, 124; D11/2, 3; D6/657, 672, 673, 675, 682, D6/682.1, 682.3, 682.4, 675.1, 675.4; D20/10, 19, 20; 248/346.03, 176.1; 361/679.41, 679.31, 679.32, 679.4, 361/679.43, 679.55, 679.58, 679.33; 320/109, 112-115; 710/15, 303; 455/557; 439/347, 534; D9/715, 721, D9/722, 501, 415, 457
CPC H02J 7/0042; H02J 7/00; H01R 31/065; H01M 10/44; H04B 1/03; H04B 1/385; H01H 2223/04; G04G 17/083; G06F 1/163; F16M 11/10

See application file for complete search history.

(56) **References Cited**

U.S. PATENT DOCUMENTS

D268,307 S *	3/1983	Korn	D6/682.2
D284,084 S	6/1986	Ferrara, Jr.		
D295,748 S	5/1988	Day et al.		
4,862,151 A	8/1989	Grauz et al.		
D318,961 S	8/1991	Edelson		
D319,434 S	8/1991	Lund		
D322,189 S *	12/1991	Schechter	D6/682
D328,537 S *	8/1992	Edwards	D30/161
D337,322 S	7/1993	Yang		
D338,685 S	8/1993	Dakich		
D339,537 S	9/1993	Willnauer et al.		
5,280,229 A	1/1994	Faude et al.		
D343,745 S *	2/1994	Wenger	D9/420
D353,586 S *	12/1994	Renk	D14/126
D392,474 S	3/1998	Frasketi		
D392,958 S	3/1998	Gaete		
D414,166 S	9/1999	De Paris		
D442,939 S	5/2001	Goldenburg		



D450,707 S	11/2001	Francavilla et al.	
D483,771 S	12/2003	Esswein	
D488,440 S	4/2004	Senda	
D495,336 S	8/2004	Andre et al.	
D502,179 S	2/2005	Cha et al.	
D513,501 S *	1/2006	Asanuma	D14/129
D527,018 S	8/2006	Christianson	
D541,764 S *	5/2007	Lozano	D14/126
D543,183 S	5/2007	Cho et al.	
D555,655 S	11/2007	Iu	
D583,821 S	12/2008	Richter	
D584,529 S *	1/2009	Neff	D6/675.4
D585,056 S	1/2009	Ekelund	
D587,703 S	3/2009	Yoon	
D596,618 S	7/2009	Zha	
D599,792 S	9/2009	Lin	
D611,451 S *	3/2010	Wang	D14/209.1
D615,066 S *	5/2010	Huang	D14/130
D618,614 S	6/2010	Symons	
D623,188 S	9/2010	Son et al.	
D624,530 S *	9/2010	Hoggarth	D14/224
D626,129 S	10/2010	Lutz	
D627,777 S	11/2010	Akana et al.	
D637,596 S	5/2011	Akana et al.	
D637,601 S	5/2011	Symons	
D639,267 S	6/2011	DeLorenzo et al.	
D641,713 S *	7/2011	Petrillo	D13/168
D642,121 S	7/2011	Lee et al.	
D642,172 S	7/2011	Akana et al.	
D643,433 S	8/2011	Hsieh et al.	
D643,825 S *	8/2011	Hwang	D14/130
D651,606 S	1/2012	Luijben	
D658,616 S *	5/2012	Van Der Flier	D14/130
D661,308 S	6/2012	Capozzoli	
D662,100 S	6/2012	Van Den Nieuwenhuizen et al.	
D663,292 S *	7/2012	Hoggarth	D14/224
D670,692 S	11/2012	Akana et al.	
D673,571 S	1/2013	Akana et al.	
D673,572 S	1/2013	Akana et al.	
D673,952 S	1/2013	Toda et al.	
D687,441 S	8/2013	Janzen	
D688,671 S	8/2013	Avganim	
D690,137 S	9/2013	Kikkert et al.	
D690,138 S	9/2013	Kikkert et al.	
D692,420 S	10/2013	McManigal et al.	
D708,270 S	7/2014	Heirakuji et al.	
D723,572 S *	3/2015	Akana	D14/447
D724,025 S *	3/2015	Peek	D13/108
D724,597 S *	3/2015	Akana	D14/447
D726,665 S *	4/2015	Park	D14/125
D743,334 S *	11/2015	Peek	D13/108
D744,999 S *	12/2015	Chen	D14/341
D745,295 S *	12/2015	Ebert	D6/672
D762,648 S	8/2016	Akana et al.	
D762,649 S	8/2016	Akana et al.	
D762,650 S *	8/2016	Dang	D14/434
D763,263 S *	8/2016	Wierenga	D14/434
D771,139 S *	11/2016	Poulheim	D14/203.3
D776,053 S *	1/2017	Barnard	D13/108
D780,766 S *	3/2017	Akana	D14/447
D784,826 S *	4/2017	Bailey	D10/20
D792,362 S *	7/2017	Maxwell	D14/130
D794,984 S *	8/2017	Green	D6/682.5
D799,463 S *	10/2017	Deng	D14/252
D800,735 S *	10/2017	Akana	D14/451
D804,223 S *	12/2017	Lovelace	D6/673
D810,478 S *	2/2018	Akana	D6/682
D812,616 S *	3/2018	Potash	D14/383
D813,805 S *	3/2018	Zhong	D13/108
D814,413 S *	4/2018	Zhong	D13/108

D824,894 S *	8/2018	Marasco	D14/307
D825,575 S *	8/2018	Gao	D14/447
D831,641 S *	10/2018	Wall	D14/341
D835,112 S *	12/2018	Kim	D14/447
D839,190 S *	1/2019	Xie	D13/108
D841,373 S *	2/2019	Akana	D6/677
D842,627 S *	3/2019	Siminoff	D6/672
D842,628 S *	3/2019	Siminoff	D6/672
D844,008 S *	3/2019	Yamazaki	D14/434
2006/0250764 A1	11/2006	Howarth et al.	
2009/0156255 A1	6/2009	Shin et al.	
2014/0028688 A1	1/2014	Houjou et al.	

FOREIGN PATENT DOCUMENTS

JP 2014-166341 9/2014

OTHER PUBLICATIONS

Photos Reveal Secrets Behind Apple Watch Retail Display Units. macrumors.com. (Online) 12 pgs. Posted May 20, 2015. [Retrieved May 1, 2019] <https://www.macrumors.com/2015/05/20/apple-watch-display-unit-disassembled/>.*

Full Manufacturing Solution for Fitbit POS Displays. constantmanufacturing.co.uk. (Online) 5 pgs. Posted Apr. 21st [Retrieved May 1, 2019] <https://www.constantmanufacturing.co.uk/full-manufacturing-solution-fitbit-pos-displays/>.*

Manufacturing-A-Counter-POS-Display-Case-Study-2018. constantmanufacturing.co.uk (Online) 2 pgs. Posted Mar. 2018. [Retrieved May 1, 2019] <https://www.constantmanufacturing.co.uk/wp-content/uploads/2018/03/Manufacturing-A-Counter-POS-Display-Case-Study-2018.pdf>.*

Multimedia terminal and Display Stand. (Design—©Questel) orbit.com.[online PDF] 14 pgs. Print Dates range Mar. 13, 2015-May 4, 2018. [Retrieved on May 1, 2019] <https://sobjprd.questel.fr/export/QPTUJ214/pdf2/0ab8cae6-cd12-4afa-85b9-73dd92546400-221744.pdf>.*

* cited by examiner

Primary Examiner — Marie D. Fast Horse
(74) *Attorney, Agent, or Firm* — Sterne, Kessler, Goldstein & Fox P.L.L.C.

(57) **CLAIM**

The ornamental design for a display stand and electronic device, as shown and described.

DESCRIPTION

FIG. 1 is a top front perspective view of a display stand and electronic device showing the claimed design;

FIG. 2 is a front view thereof;

FIG. 3 is a rear view thereof;

FIG. 4 is a right side view thereof;

FIG. 5 is a left side view thereof; and,

FIG. 6 is a top view thereof.

The broken lines in the figures show portions of the display stand and electronic device that form no part of the claimed design.

1 Claim, 3 Drawing Sheets

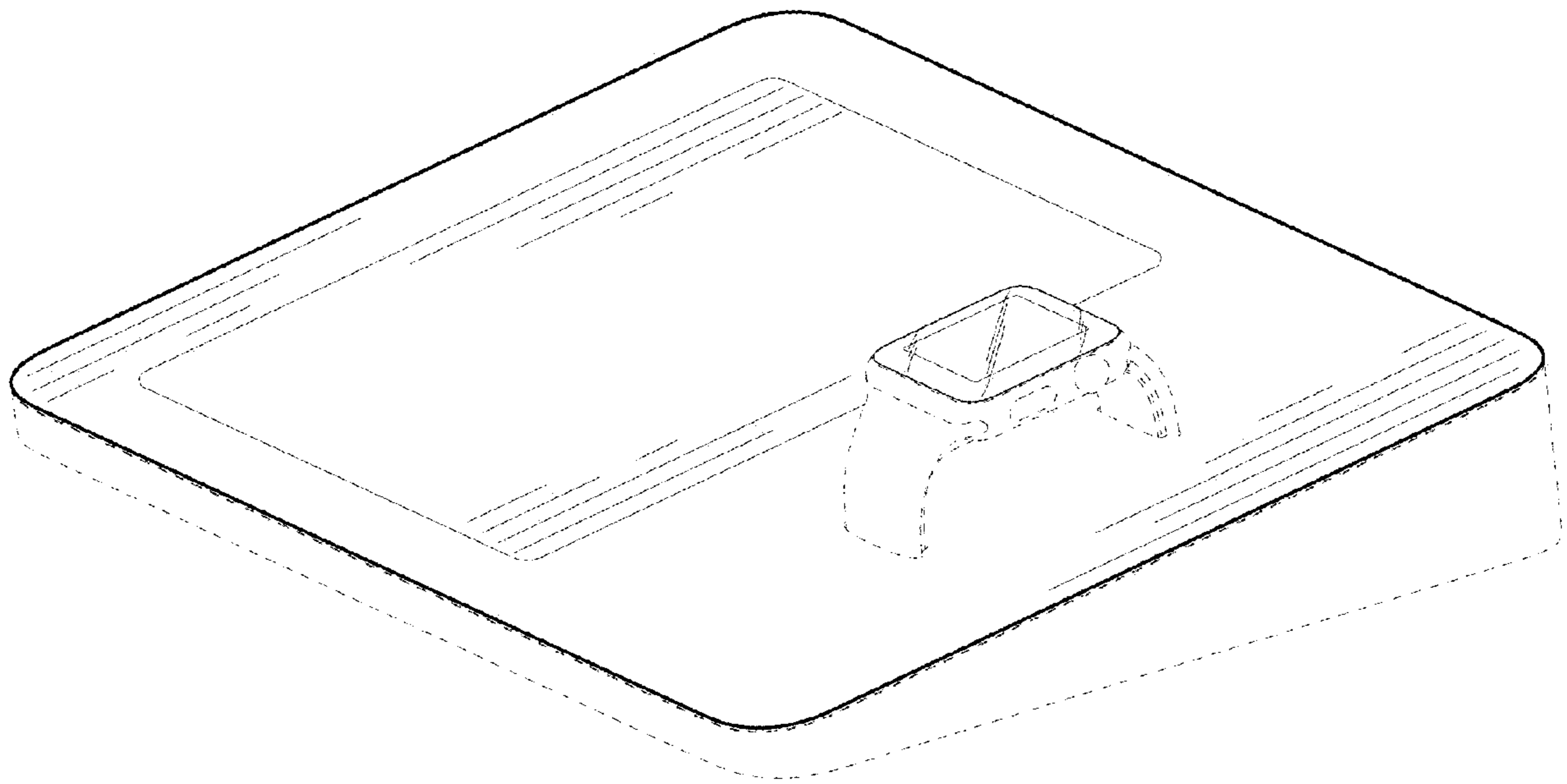


FIG. 1

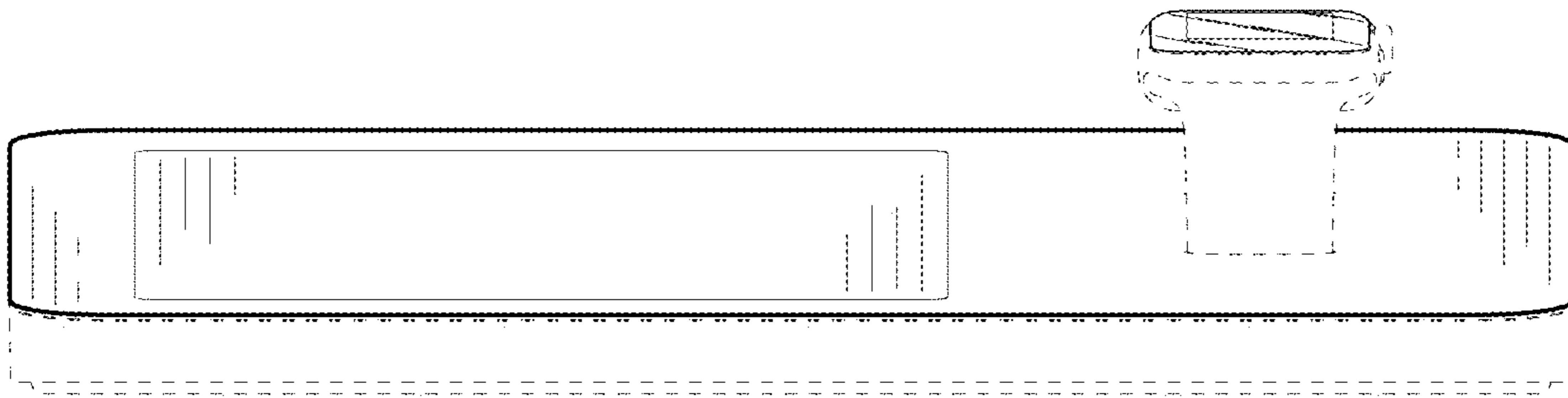


FIG. 2

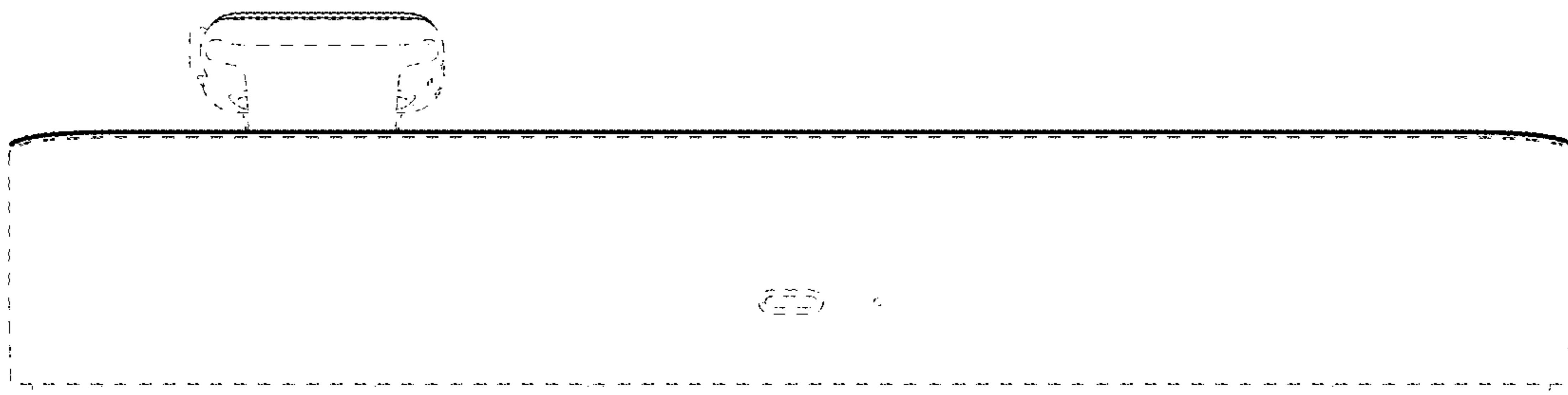


FIG. 3

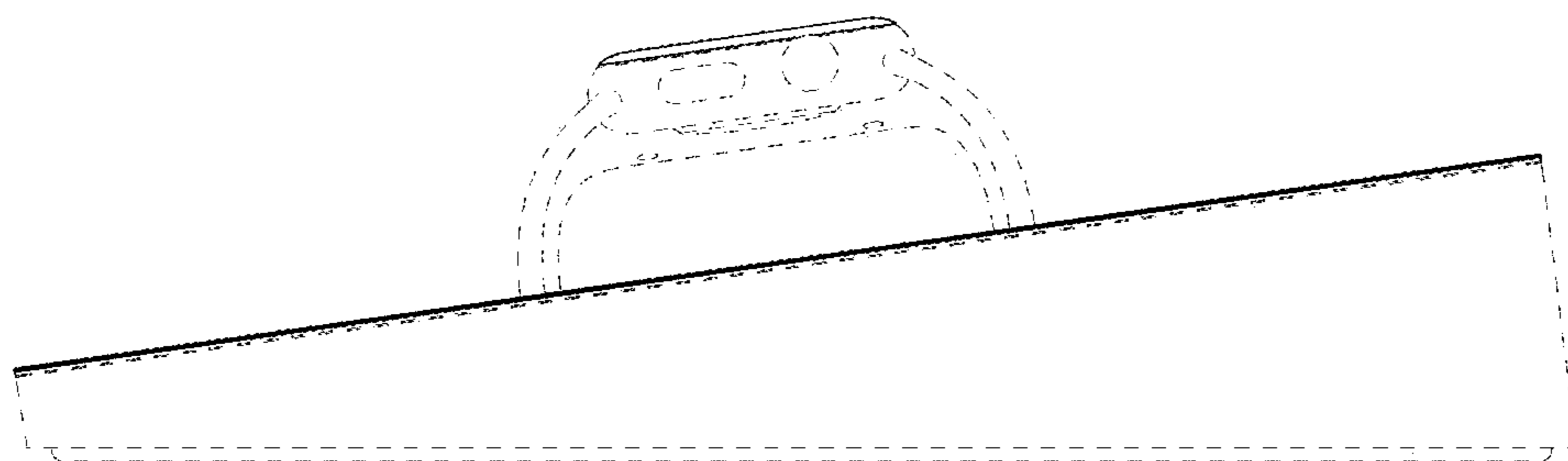


FIG. 4

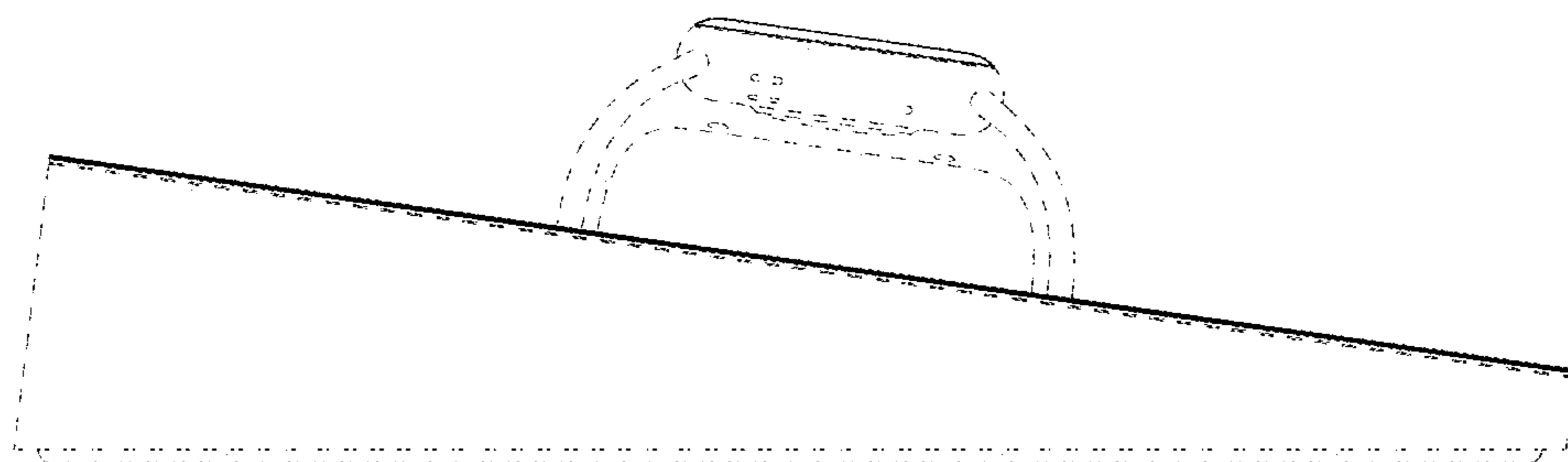


FIG. 5

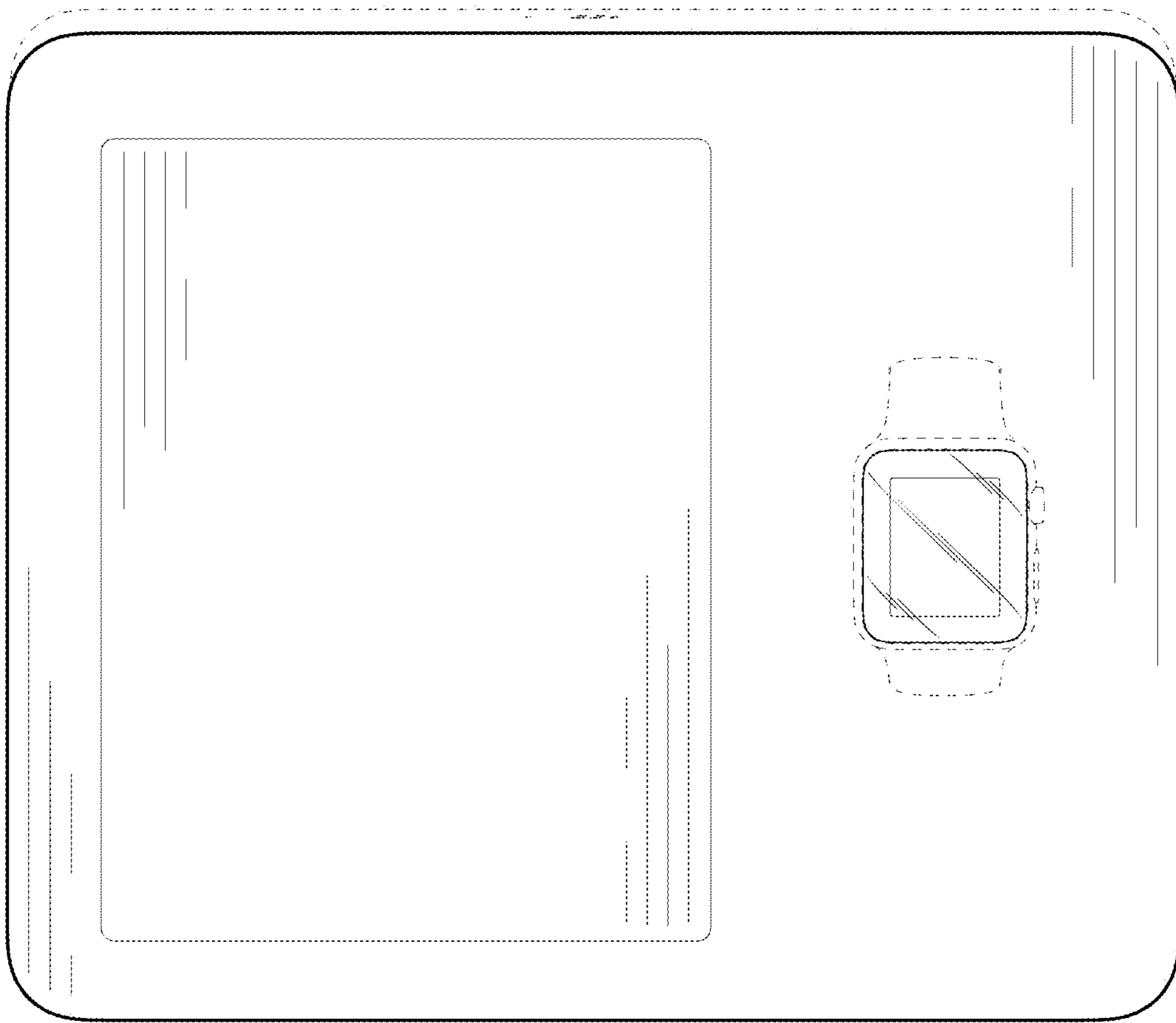


FIG. 6

UNITED STATES PATENT AND TRADEMARK OFFICE
CERTIFICATE OF CORRECTION

PATENT NO. : D873,829 S
APPLICATION NO. : 29/622812
DATED : January 28, 2020
INVENTOR(S) : Akana et al.

Page 1 of 1

It is certified that error appears in the above-identified patent and that said Letters Patent is hereby corrected as shown below:

On the Title Page

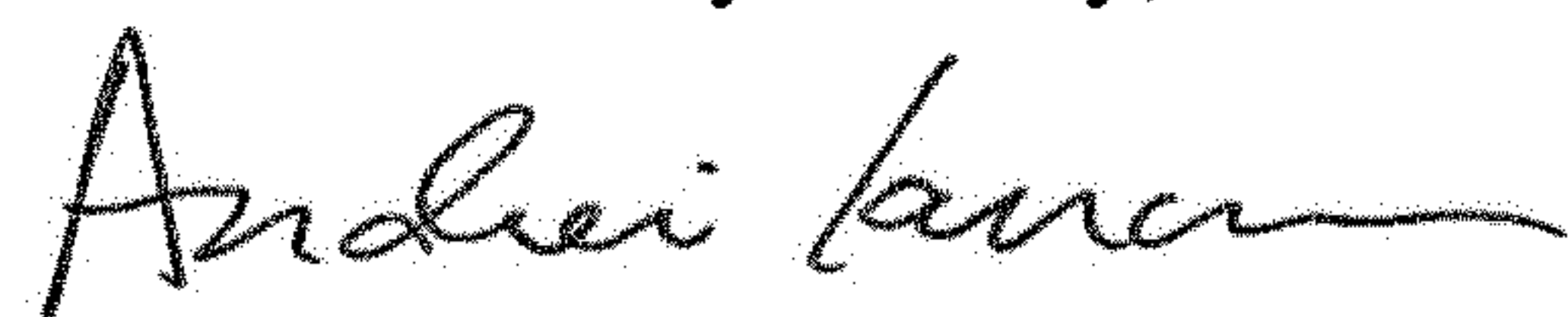
In the Related U.S. Application Data item (63), please replace:

“Continuation of application No. 29/572,679, filed on Jul. 29, 2016, now Pat. No. Des. 800,735, which is a continuation of application No. 29/501,842, filed on Sep. 9, 2014, now Pat. No. Des. 762,649, which is a continuation of application No. 29/501,043, filed on Aug. 29, 2014, now Pat. No. Des. 762,648.”

With:

-- Continuation of application No. 29/572,679, filed on Jul. 29, 2016, now Pat. No. Des. 800,735, which is a continuation of application No. 29/501,842, filed on Sep. 9, 2014, now Pat. No. Des. 762,649, and a continuation of application No. 29/501,043, filed on Aug. 29, 2014, now Pat. No. Des. 762,648. --

Signed and Sealed this
Twelfth Day of May, 2020



Andrei Iancu
Director of the United States Patent and Trademark Office