



US00D873827S

(12) **United States Design Patent**
Lu

(10) **Patent No.:** **US D873,827 S**
(45) **Date of Patent:** **** Jan. 28, 2020**

(54) **TOUCH PEN**

(71) Applicant: **Getac Technology Corporation,**
Hsinchu County (TW)

(72) Inventor: **Wei-Sen Lu,** Taipei (TW)

(73) Assignee: **GETAC TECHNOLOGY**
CORPORATION, Hsinchu County
(TW)

(**) Term: **15 Years**

(21) Appl. No.: **29/655,602**

(22) Filed: **Jul. 5, 2018**

(51) **LOC (12) Cl.** **14-02**

(52) **U.S. Cl.**
USPC **D14/411**

(58) **Field of Classification Search**
USPC D14/372, 496, 432, 371, 125, 126, 129,
D14/299, 411; D16/300-342; 351/158,
351/153, 144; 345/7-9, 905; 455/344;
348/115, 53, 121, 739
CPC G02B 27/017; G06F 3/016; G06F 3/033;
G06F 3/0317; G06F 3/03545; G06F
3/041; G06K 9/222
See application file for complete search history.

(56) **References Cited**

U.S. PATENT DOCUMENTS

D655,707 S * 3/2012 Miyauchi D14/411
D676,049 S * 2/2013 Lee D14/411

D678,282 S * 3/2013 Izen D14/411
D705,780 S * 5/2014 Nishizawa D14/411
D711,882 S * 8/2014 Yeo D14/411
D724,087 S * 3/2015 Sakatsume D14/411
D743,396 S * 11/2015 Wade D14/411
D753,117 S * 4/2016 Choi D14/411
D772,230 S * 11/2016 Lee D14/411
D797,742 S * 9/2017 Chang D14/411
D799,488 S * 10/2017 Nishizawa D14/411
D862,726 S * 10/2019 Mehregany D24/224

* cited by examiner

Primary Examiner — Austin Murphy

(74) *Attorney, Agent, or Firm* — Locke Lord LLP; Tim
Tingkang Xia, Esq.

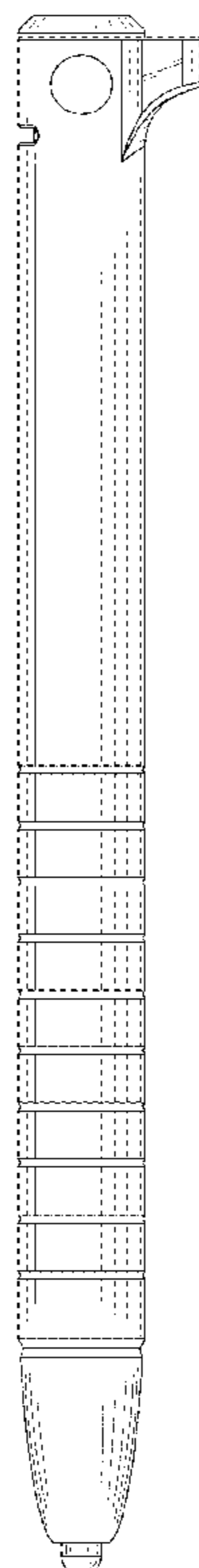
(57) **CLAIM**

The ornamental design for a touch pen, as shown and
described.

DESCRIPTION

FIG. 1 is a top front right perspective view showing on my
new design;
FIG. 2 is a bottom rear left perspective view thereof;
FIG. 3 is a front view thereof;
FIG. 4 is a rear view thereof;
FIG. 5 is a left side view thereof;
FIG. 6 is a right side view thereof;
FIG. 7 is a top view thereof; and,
FIG. 8 is a bottom view thereof.
The broken lines are directed to environment and are for
illustrative purposes only. The broken lines form no part of
the claimed design.

1 Claim, 8 Drawing Sheets



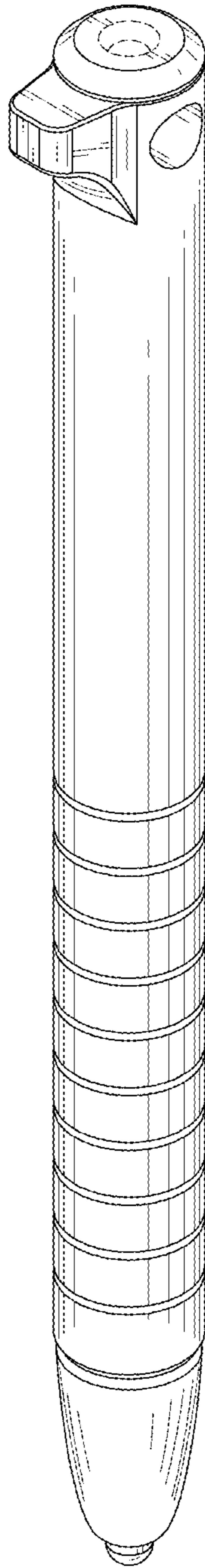


FIG. 1

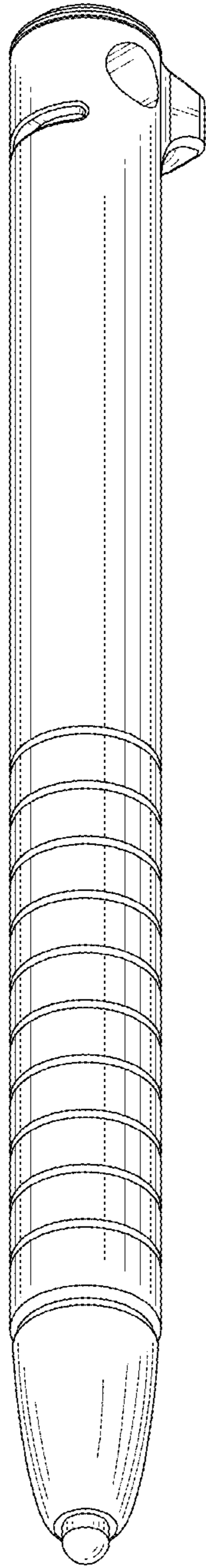


FIG. 2

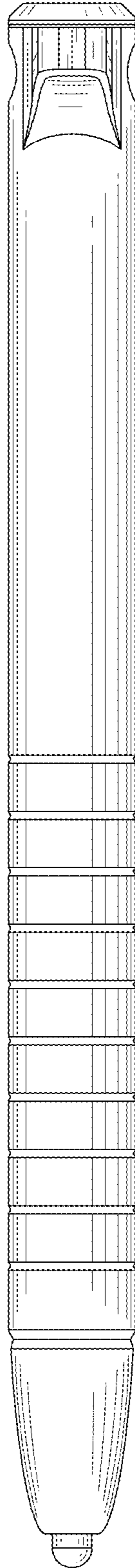


FIG. 3

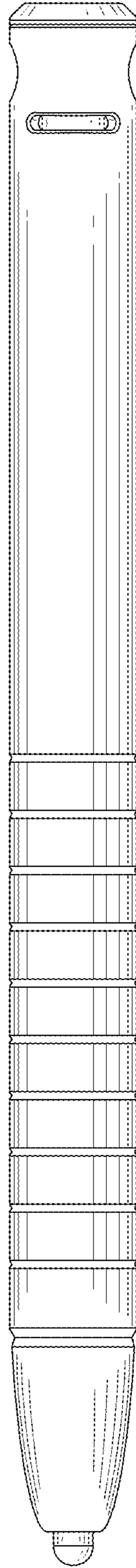


FIG. 4

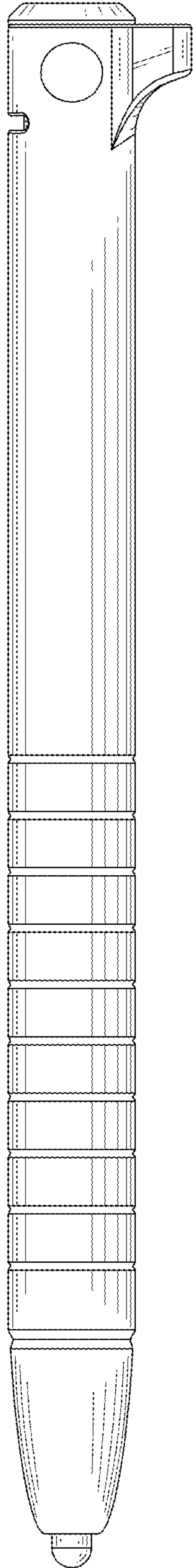


FIG. 5

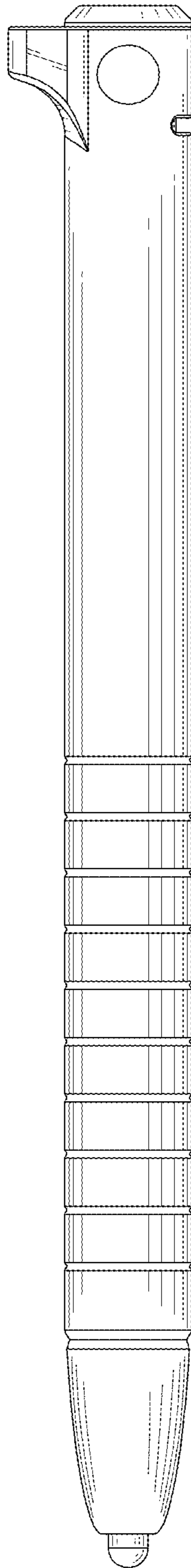


FIG. 6

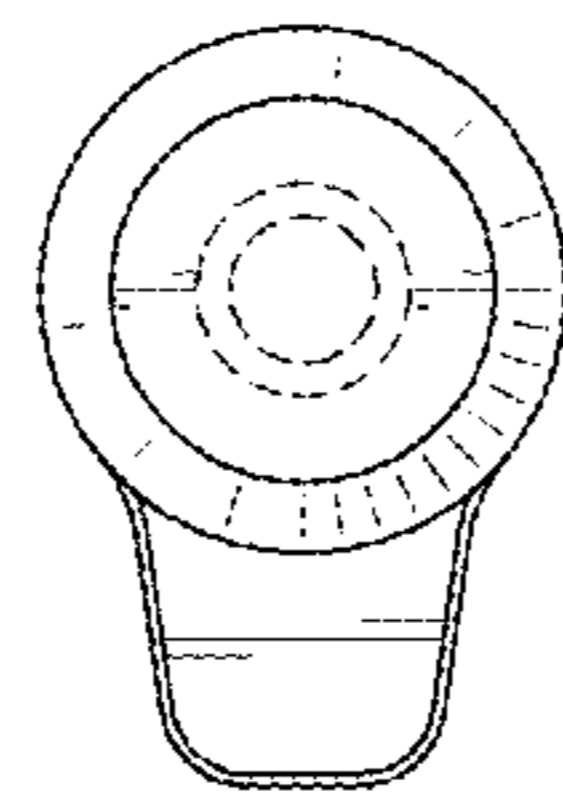


FIG. 7

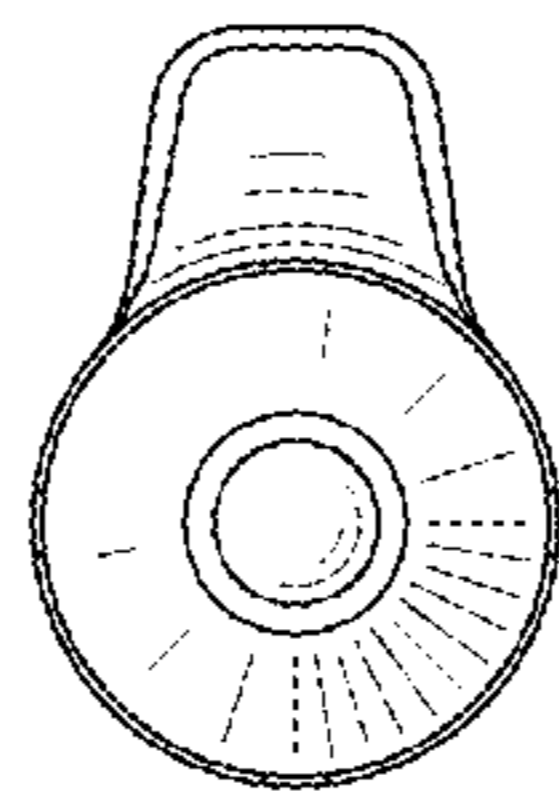


FIG. 8