



US00D873826S

(12) **United States Design Patent**
Yang et al.

(10) **Patent No.:** **US D873,826 S**
(45) **Date of Patent:** **** Jan. 28, 2020**

(54) **MONITOR FOR COMPUTER**

(56) **References Cited**

(71) Applicant: **LG ELECTRONICS INC.**, Seoul (KR)

U.S. PATENT DOCUMENTS

(72) Inventors: **Heesu Yang**, Seoul (KR); **Hyeongyeol Kim**, Seoul (KR); **Junghan Ryu**, Seoul (KR); **Gangho Woo**, Seoul (KR)

D626,924 S *	11/2010	Miyaji	D14/126
D753,084 S *	4/2016	Cho	D14/126
D773,418 S *	12/2016	Won	D14/126
D774,482 S *	12/2016	Hong	D14/126
D784,983 S *	4/2017	Kim	D14/374
D796,465 S *	9/2017	Kim	D14/126
D817,290 S *	5/2018	Lee	D14/126
D818,450 S *	5/2018	Lee	D14/126
D819,614 S *	6/2018	Lee	D14/239
D828,313 S *	9/2018	Lee	D14/126
D828,837 S *	9/2018	Kim	D14/374
D835,593 S *	12/2018	Shin	D14/126
D836,584 S *	12/2018	Kim	D14/126

(73) Assignee: **LG ELECTRONICS INC.**, Seoul (KR)

(**) Term: **15 Years**

(21) Appl. No.: **35/506,285**

* cited by examiner

(22) Filed: **Jul. 4, 2018**

Primary Examiner — Michael A. Pratt

(80) **Hague Agreement Data**

(74) *Attorney, Agent, or Firm* — Birch, Stewart, Kolasch & Birch, LLP

Int. Filing Date: **Jul. 4, 2018**

Int. Reg. No.: **DM/101958**

Int. Reg. Date: **Jul. 4, 2018**

Int. Reg. Pub. Date: **Jan. 4, 2019**

(57) **CLAIM**

The ornamental design for monitor for computer, as shown and described.

(30) **Foreign Application Priority Data**

Jan. 11, 2018 (KR) 30-2018-0001736

(51) **LOC (12) Cl.** **14-02**

(52) **U.S. Cl.**
USPC **D14/374**

(58) **Field of Classification Search**

USPC D14/126, 336, 371, 374, 377

CPC G06F 2200/1612; G06F 1/1605; G06F 21/84; G06F 2200/1631

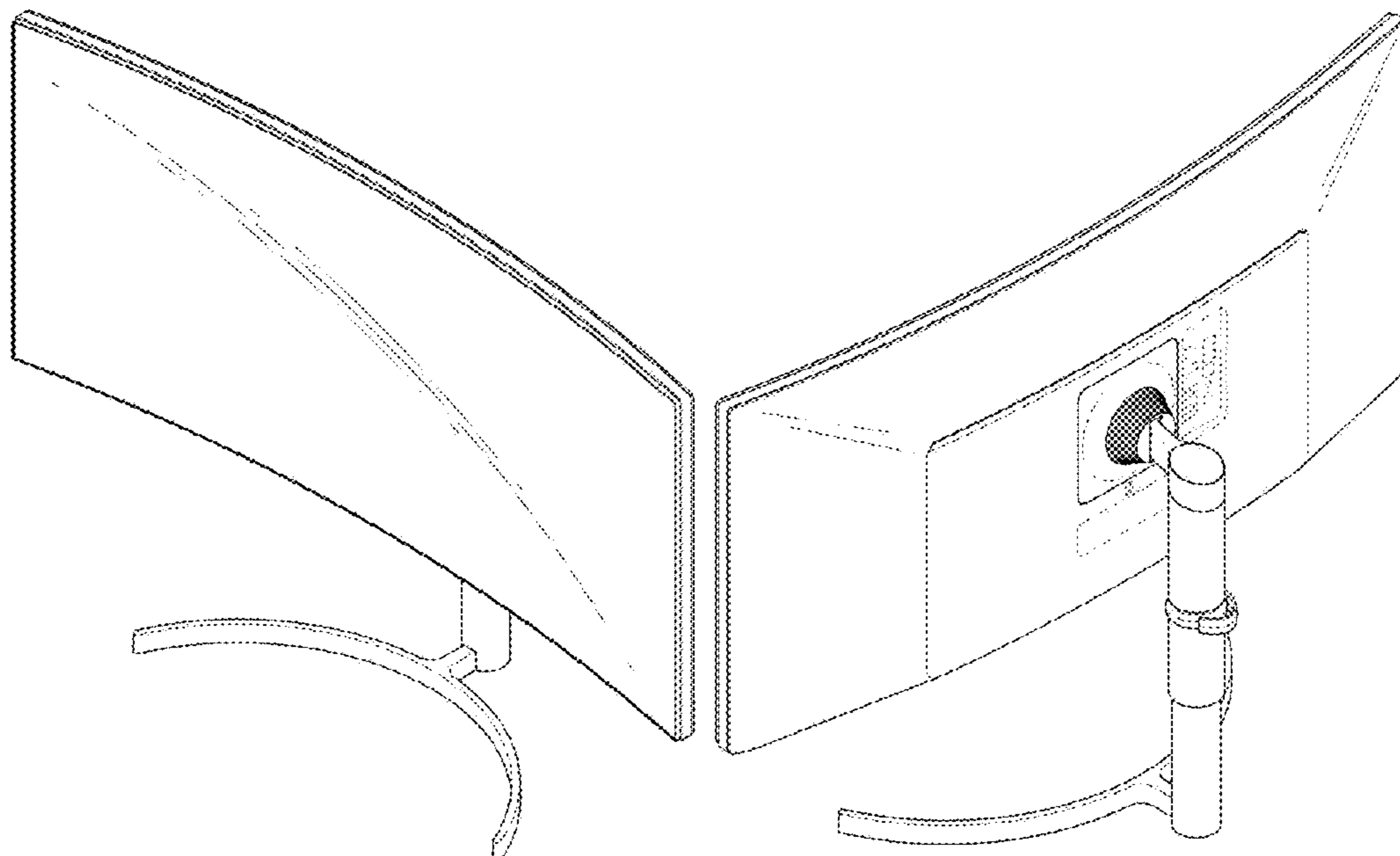
See application file for complete search history.

DESCRIPTION

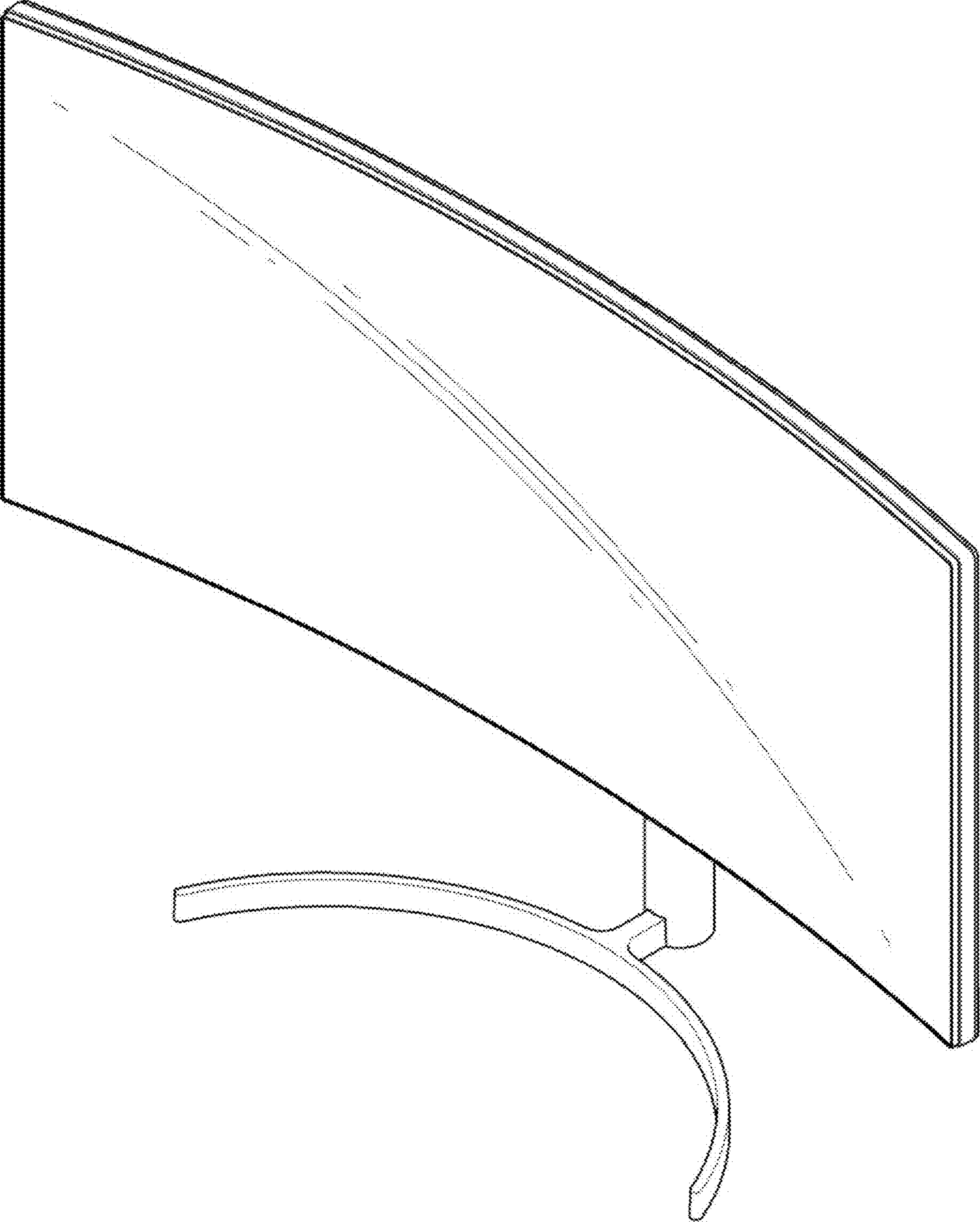
- 1. Monitor for computer
- 1.1 : Perspective
- 1.2 : Rear perspective view
- 1.3 : Front
- 1.4 : Back
- 1.5 : Left
- 1.6 : Right
- 1.7 : Top
- 1.8 : Bottom

The broken lines indicate unclaimed portion of the article that form no part of the claimed design.

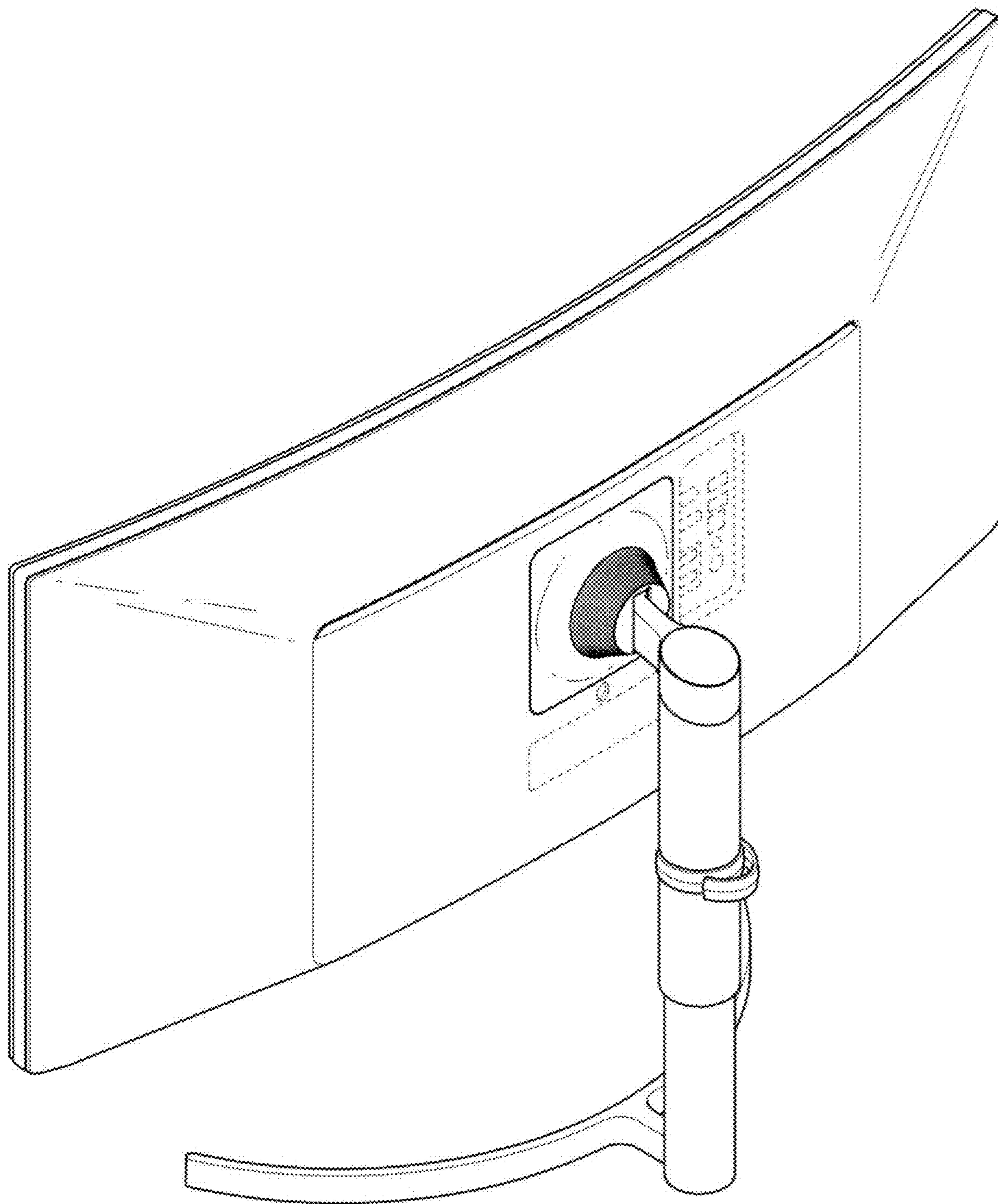
1 Claim, 8 Drawing Sheets



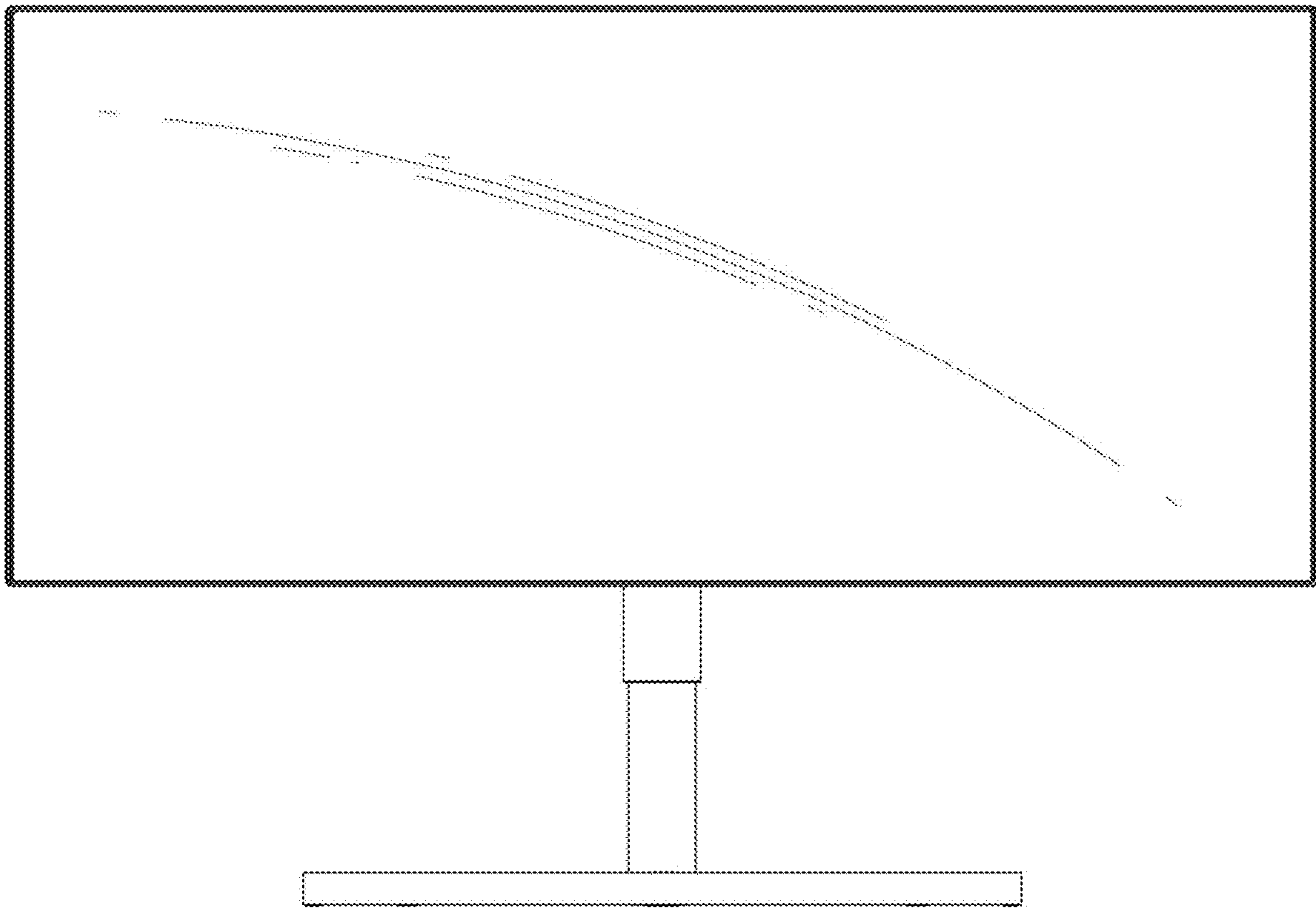
1.1



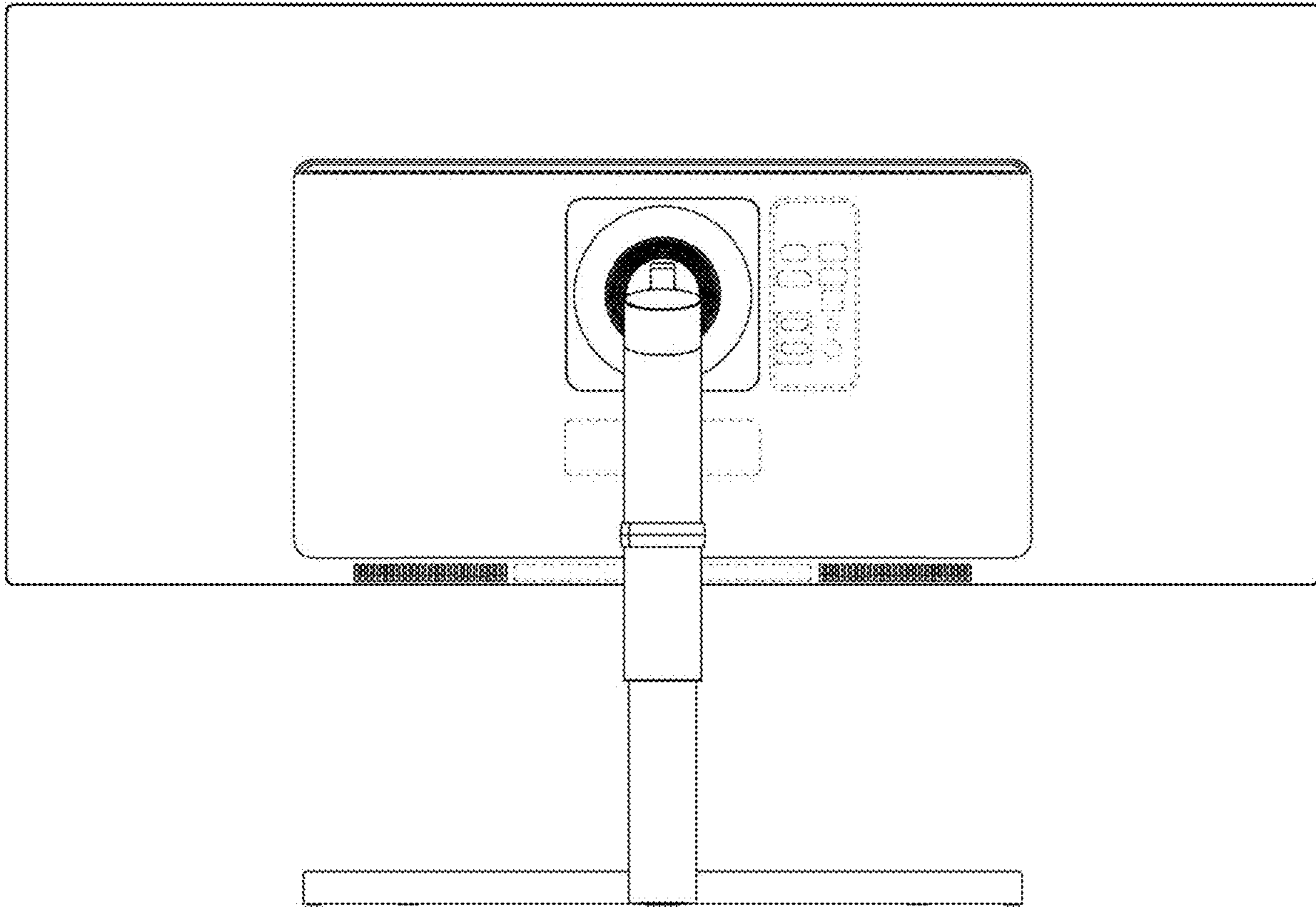
1.2



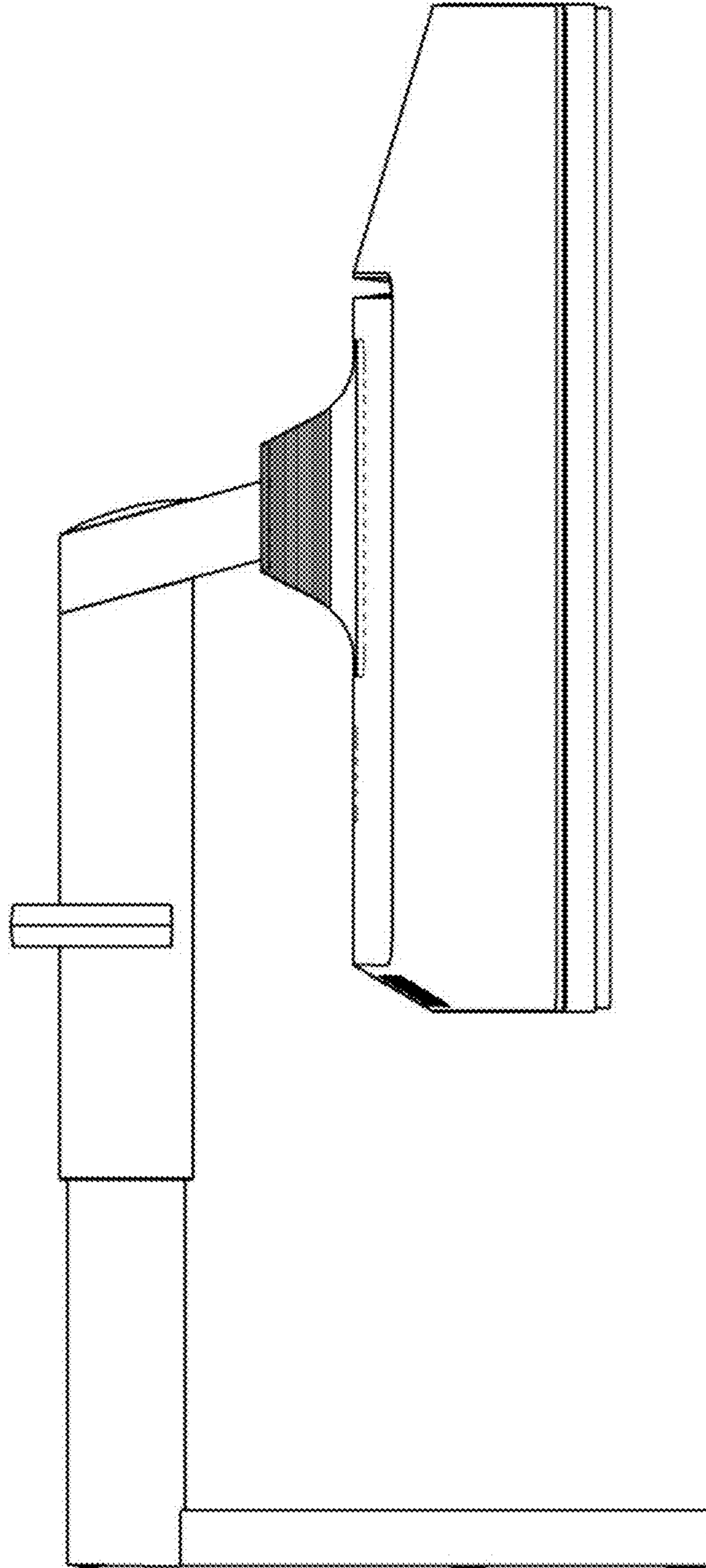
1.3



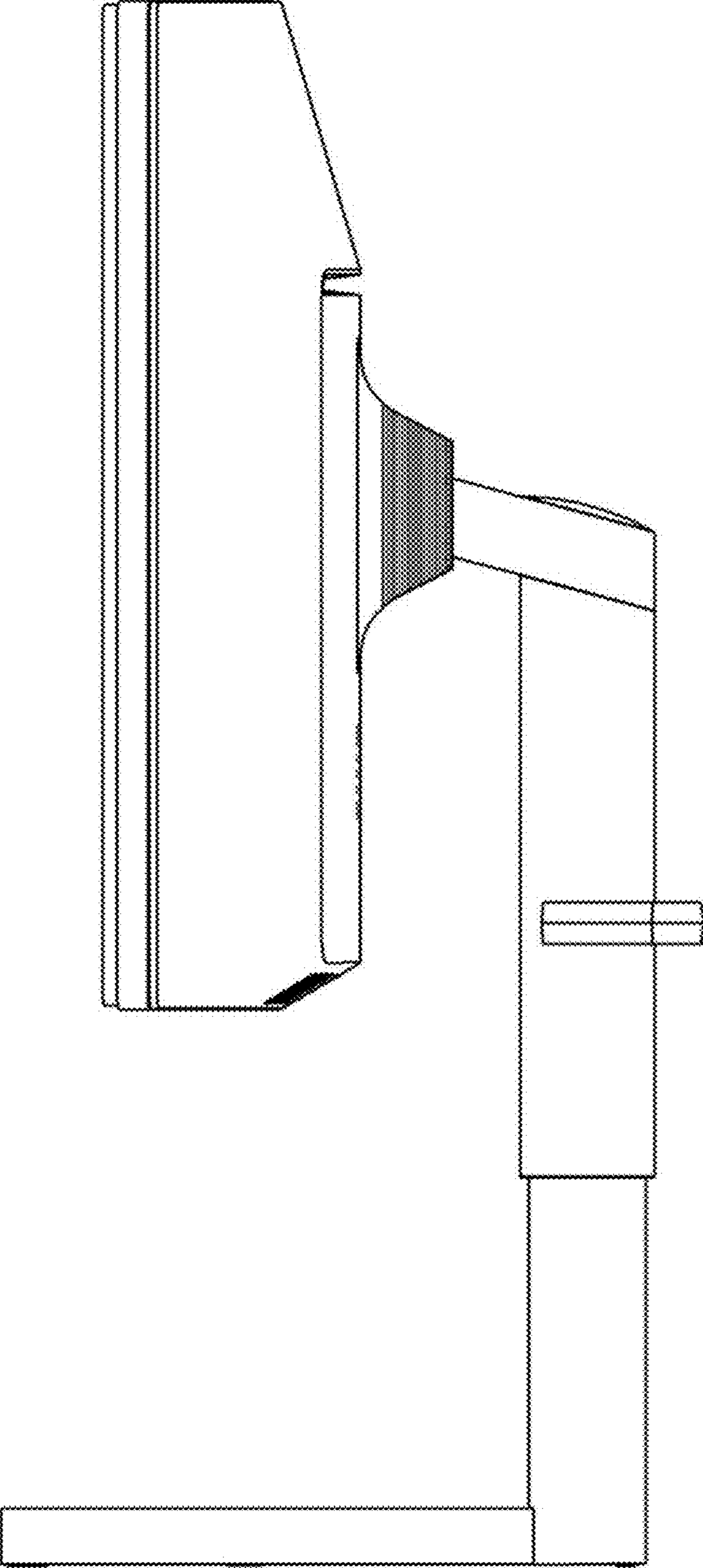
1.4



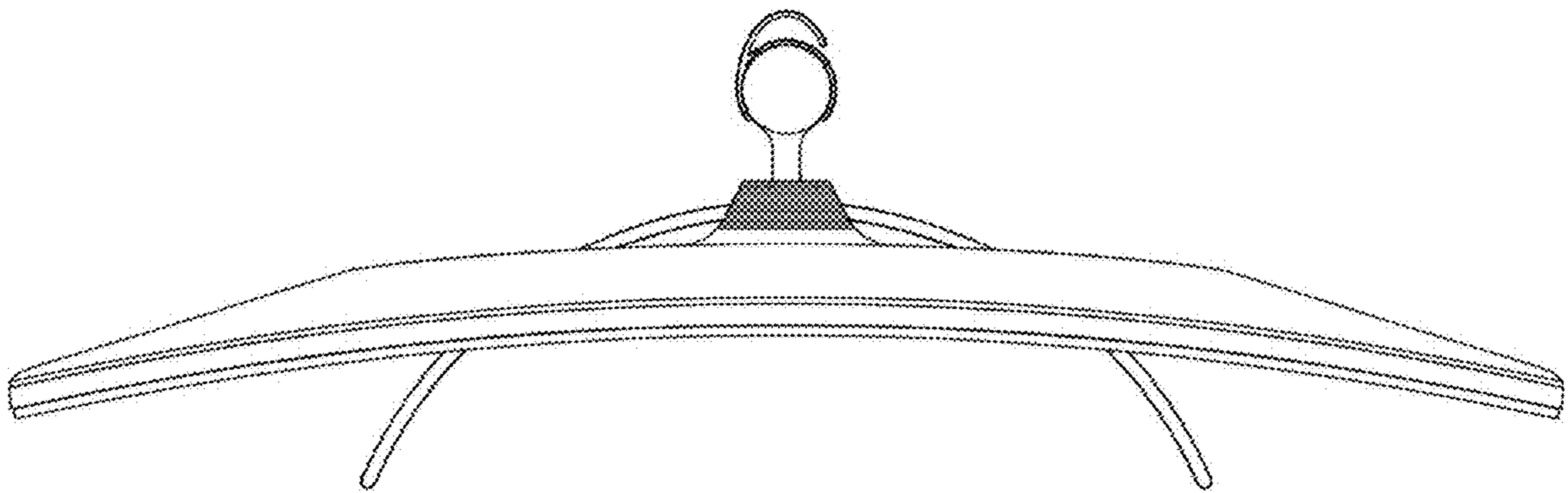
1.5



1.6



1.7



1.8

