



US00D873824S

(12) **United States Design Patent**
Chen et al.

(10) **Patent No.:** **US D873,824 S**
(45) **Date of Patent:** **** Jan. 28, 2020**

(54) **HOUSING OF HEAD-MOUNTED VIRTUAL REALITY DISPLAY DEVICE**

(71) Applicant: **Acer Incorporated**, New Taipei (TW)

(72) Inventors: **Wei-Chang Chen**, New Taipei (TW);
Jung-Wei Tsao, New Taipei (TW);
Jhih-Hsien Wu, New Taipei (TW);
Chung-Hsien Lee, New Taipei (TW)

(73) Assignee: **Acer Incorporated**, New Taipei (TW)

(**) Term: **15 Years**

(21) Appl. No.: **29/674,660**

(22) Filed: **Dec. 22, 2018**

(30) **Foreign Application Priority Data**

Aug. 22, 2018 (TW) 107304935

(51) **LOC (12) Cl.** **14-02**

(52) **U.S. Cl.**
USPC **D14/372**

(58) **Field of Classification Search**
USPC D14/372, 496, 432, 371, 125, 126, 129,
D14/299; D16/300-342; 351/158, 153,
351/144; 345/7-9, 905; 455/344;
348/115, 53, 121, 739
CPC G02B 27/017; G02B 27/0158; G02B
27/0161; G02B 27/0181; G02B 27/0185;
G02B 27/0189
See application file for complete search history.

(56) **References Cited**

U.S. PATENT DOCUMENTS

D750,074 S * 2/2016 Coz D14/372
D757,003 S * 5/2016 Goossens D14/372
D792,398 S * 7/2017 Costa D14/372

D793,390 S * 8/2017 Huang D14/372
9,723,117 B2 * 8/2017 Buckley G02B 27/0176
D800,113 S * 10/2017 Wessman D14/372
D800,114 S * 10/2017 Woo D14/372
D806,074 S * 12/2017 Kuwahara D14/372
9,869,865 B2 * 1/2018 Vinzant G02B 27/0176
D853,231 S * 7/2019 Costa D9/420
2016/0180591 A1 * 6/2016 Shiu G02B 27/0172
345/633

(Continued)

Primary Examiner — Austin Murphy

(74) *Attorney, Agent, or Firm* — JCIPRNET

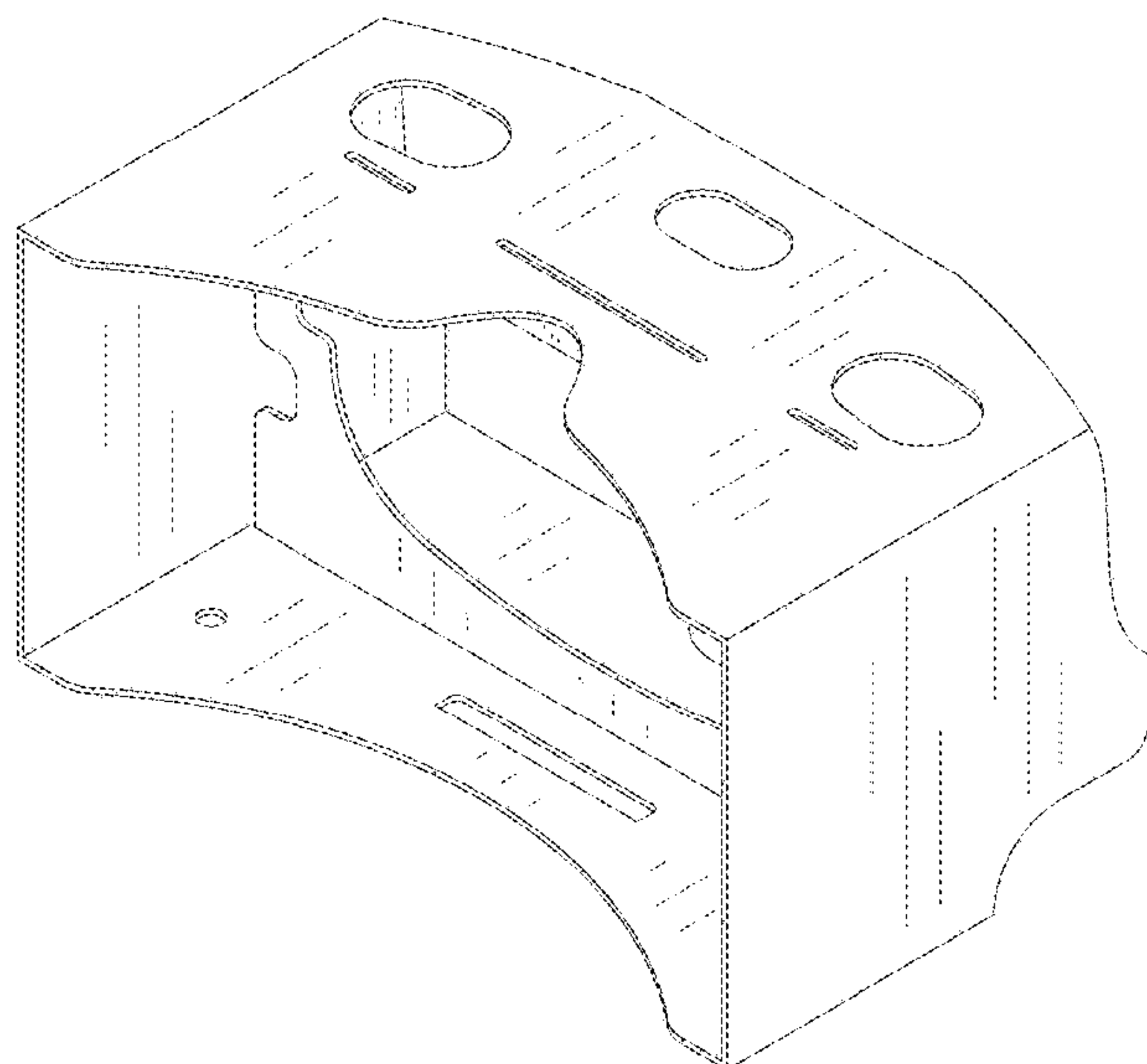
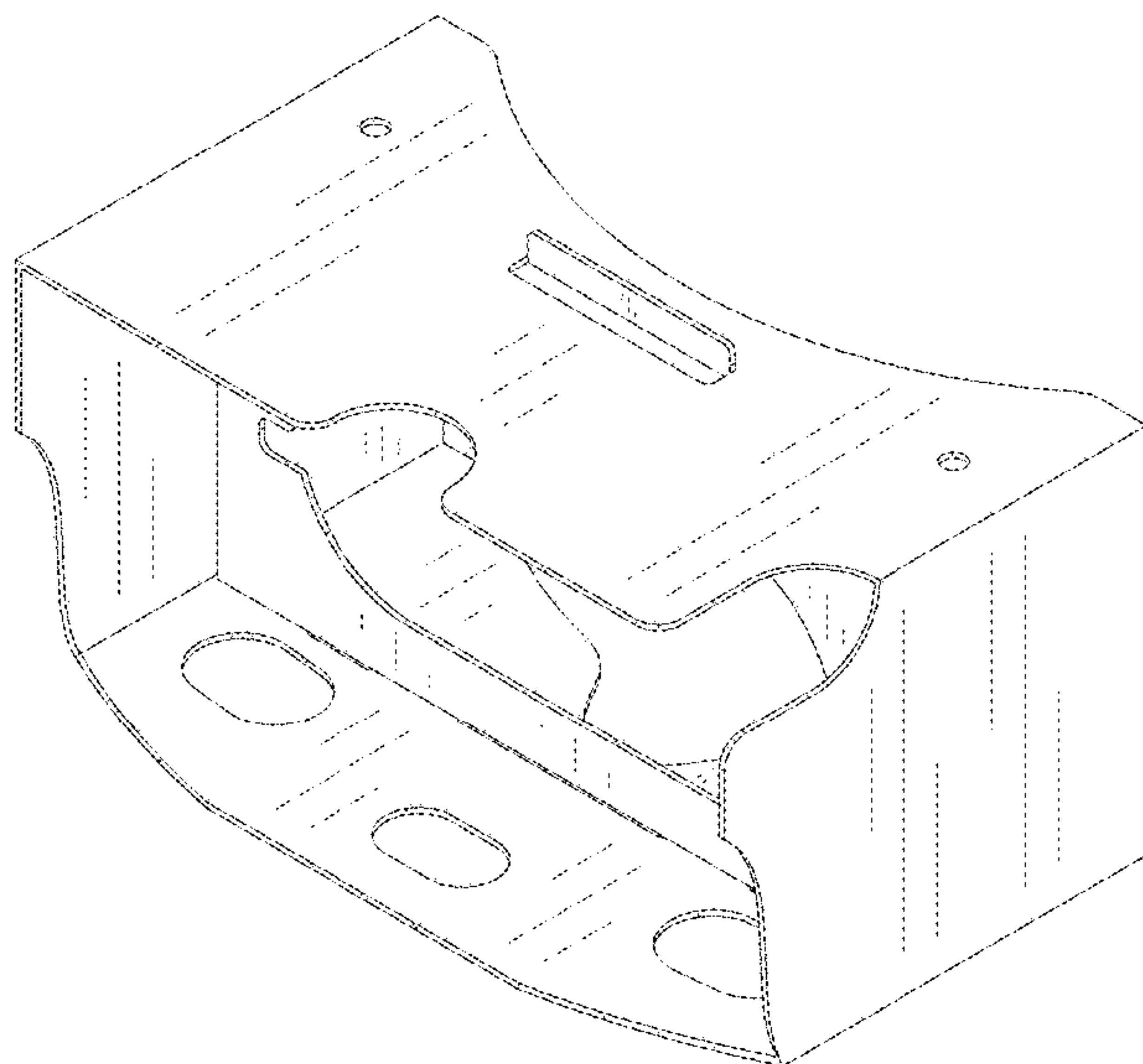
(57) **CLAIM**

The ornamental design for a housing of head-mounted virtual reality display device, as shown and described.

DESCRIPTION

FIG. 1 is a perspective view of a housing of head-mounted virtual reality display device showing our new design; FIG. 2 is another perspective view thereof; FIG. 3 is a front view thereof; FIG. 4 is a rear view thereof; FIG. 5 is a left side view thereof; FIG. 6 is a right side view thereof; FIG. 7 is a top view thereof; FIG. 8 is a bottom view thereof; FIG. 9 is a cross-sectional view taken along line 9-9 in FIG. 3; FIG. 10 is a cross-sectional view taken along line 10-10 in FIG. 3; and, FIG. 11 is a perspective view thereof in a using state, which the housing of head-mounted virtual reality display device is combined with a virtual reality display to be combined into a head-mounted virtual reality display device and worn on a user's head. The dashed broken lines in FIG. 11 are for the purpose of depicting environment that form no part of the claim design.

1 Claim, 10 Drawing Sheets



(56)

References Cited

U.S. PATENT DOCUMENTS

2016/0349836 A1* 12/2016 Goossens G06F 3/011
2017/0031164 A1* 2/2017 Costa G02B 27/22

* cited by examiner

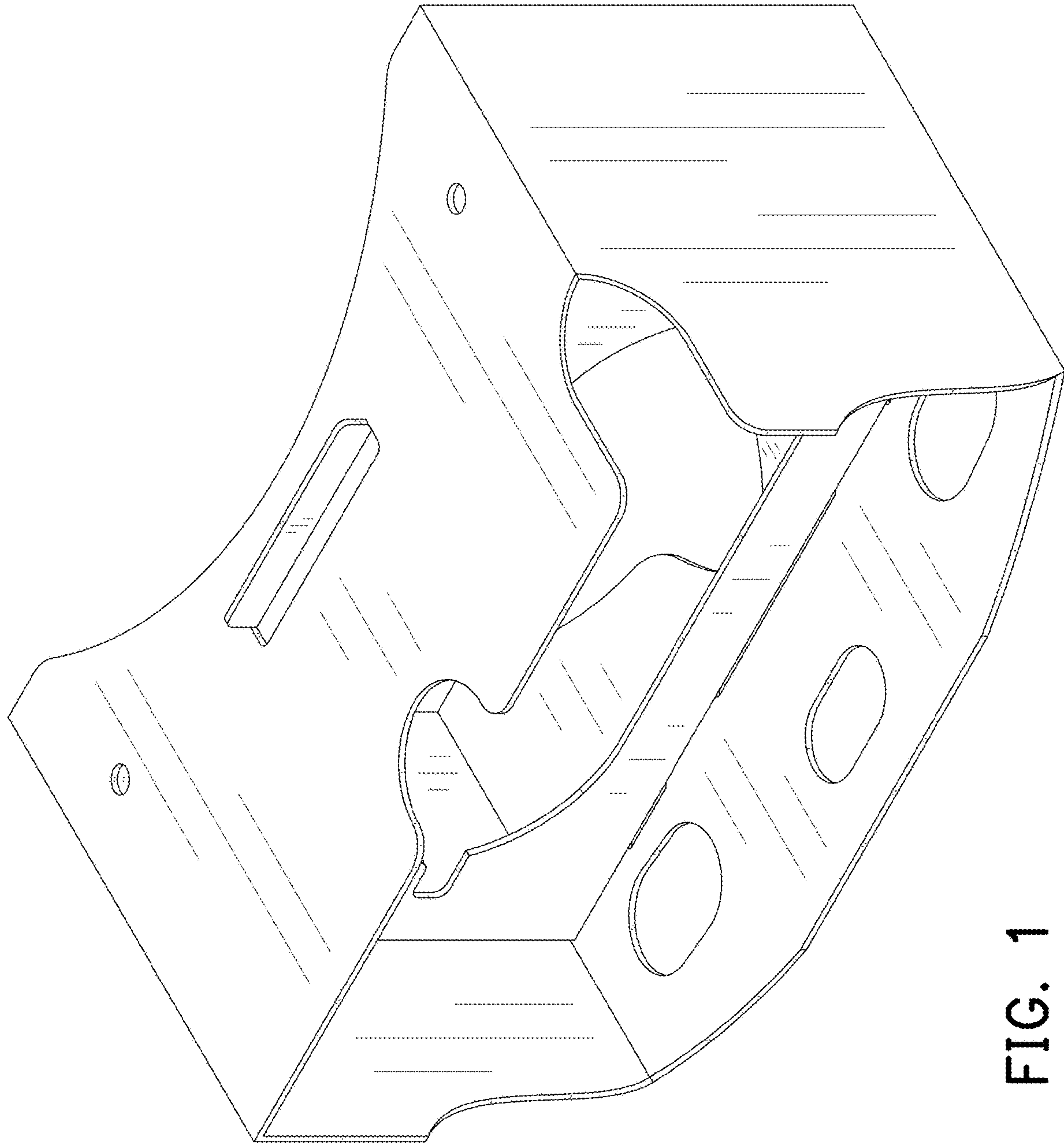


FIG. 1

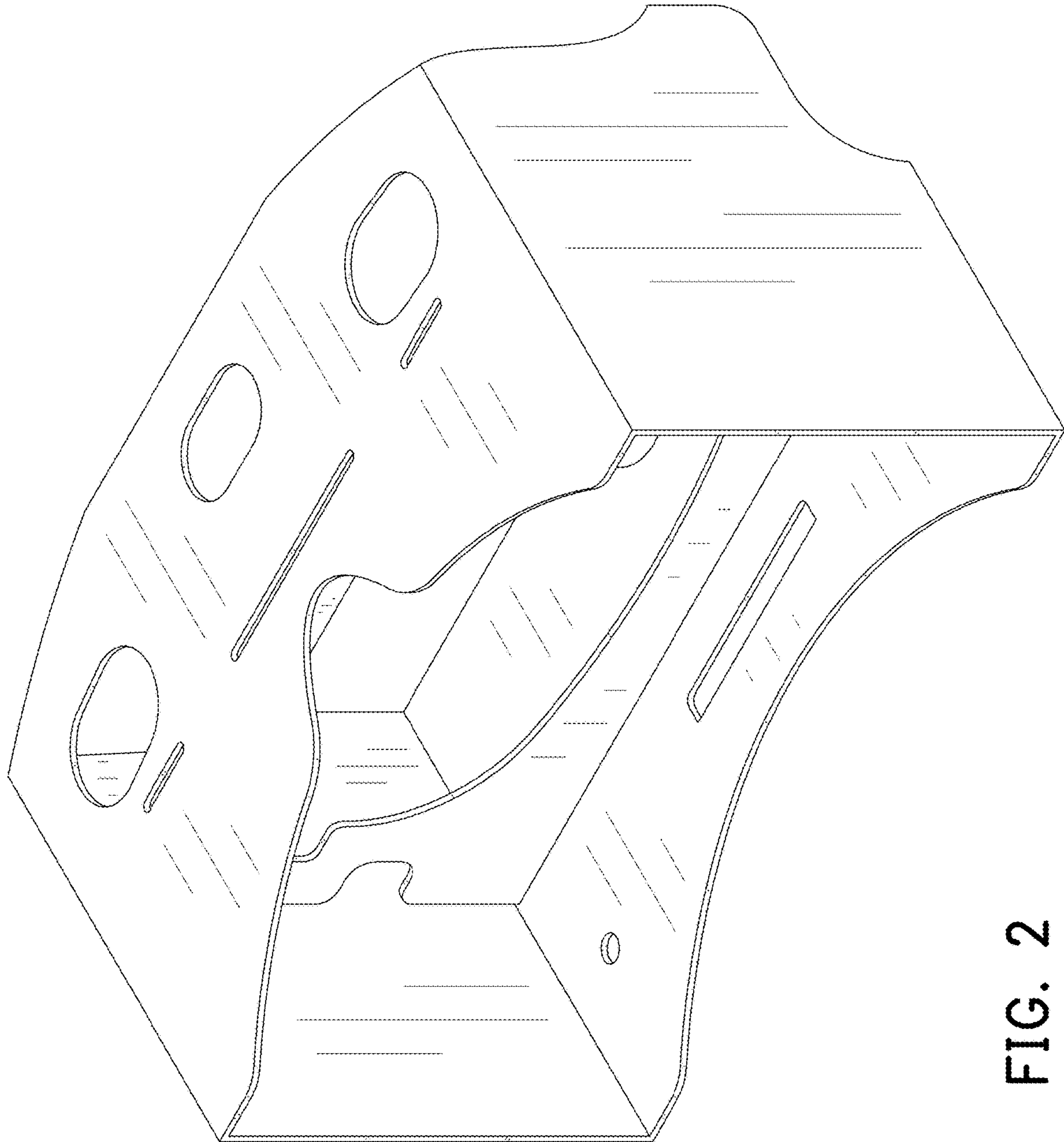


FIG. 2

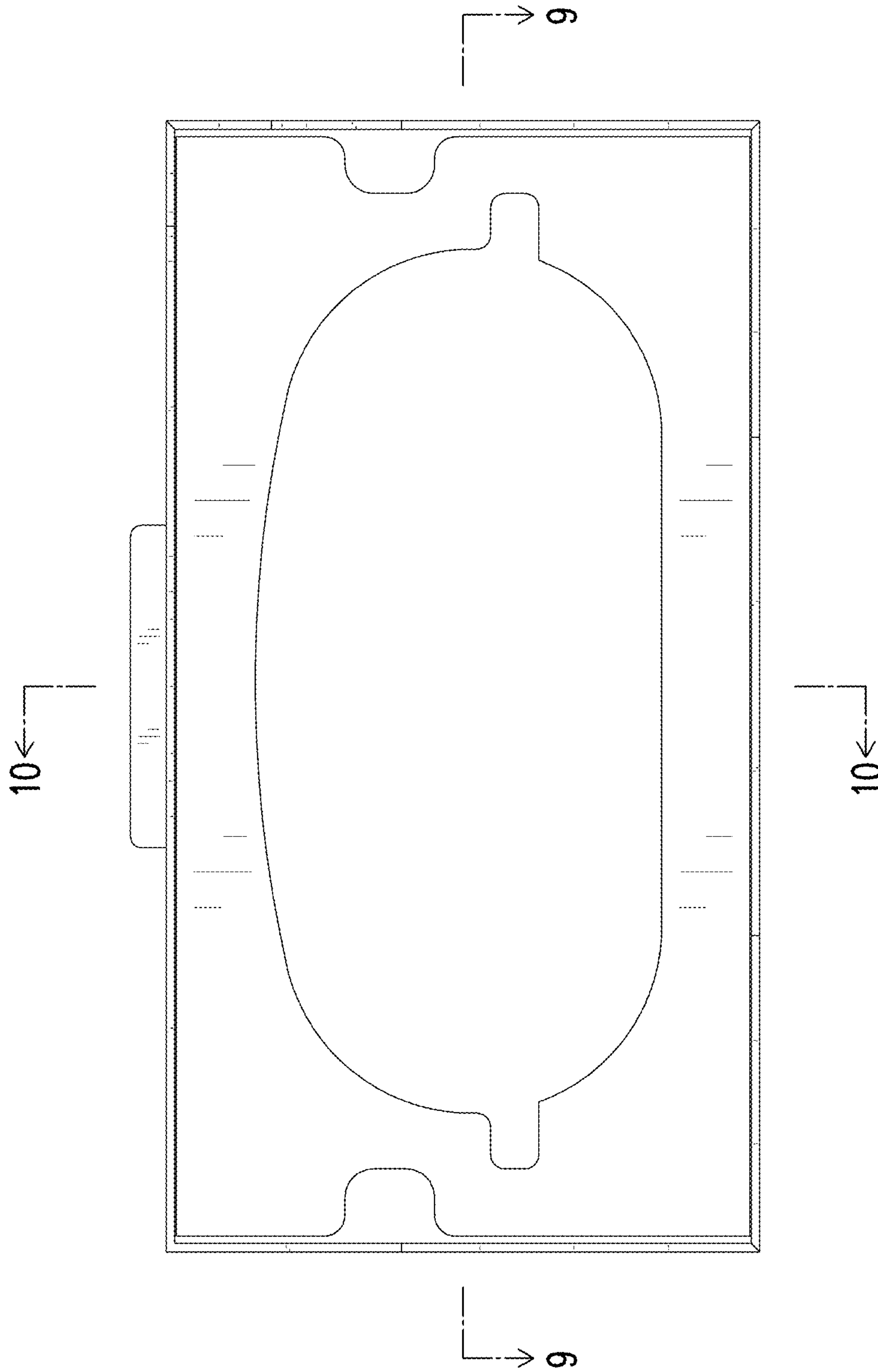


FIG. 3

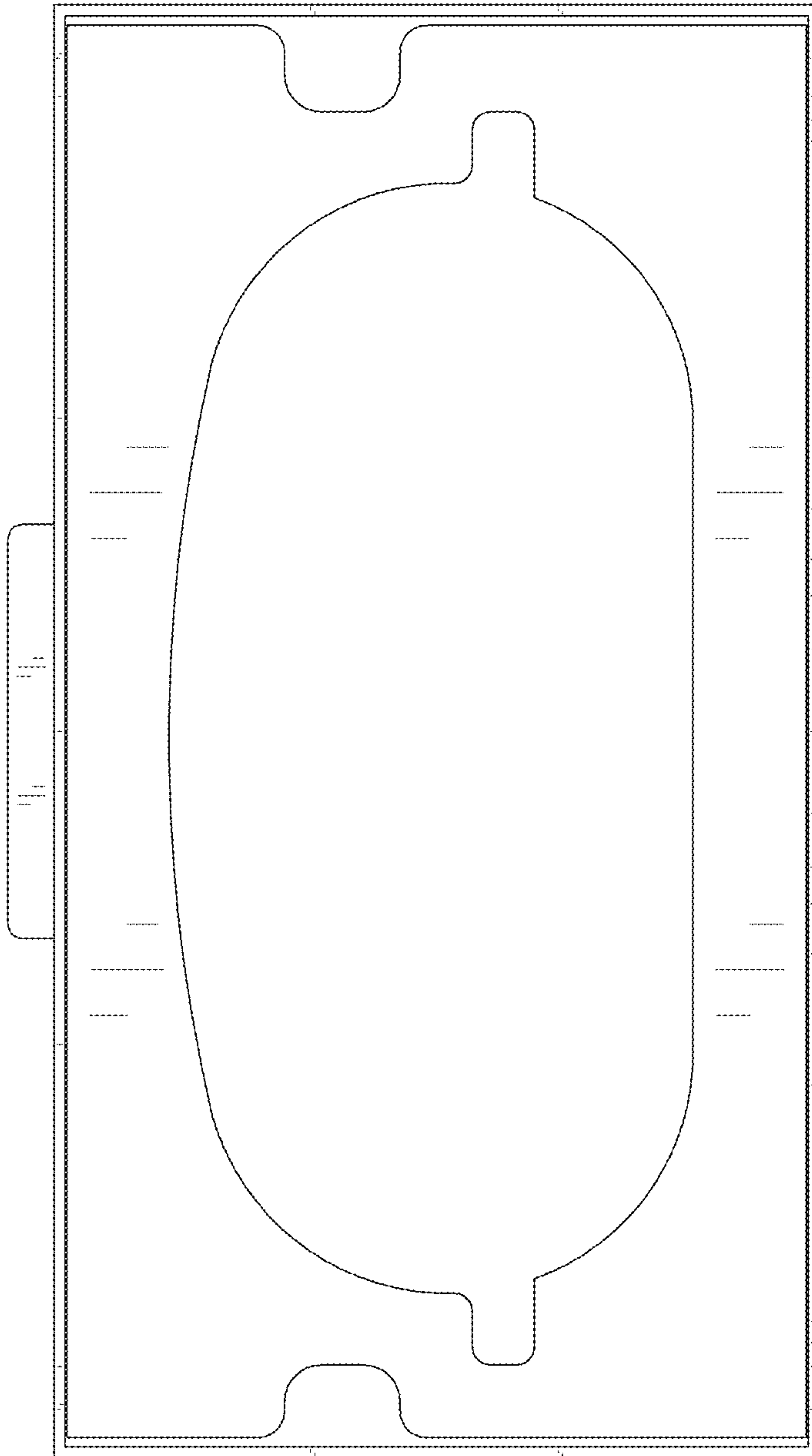


FIG. 4

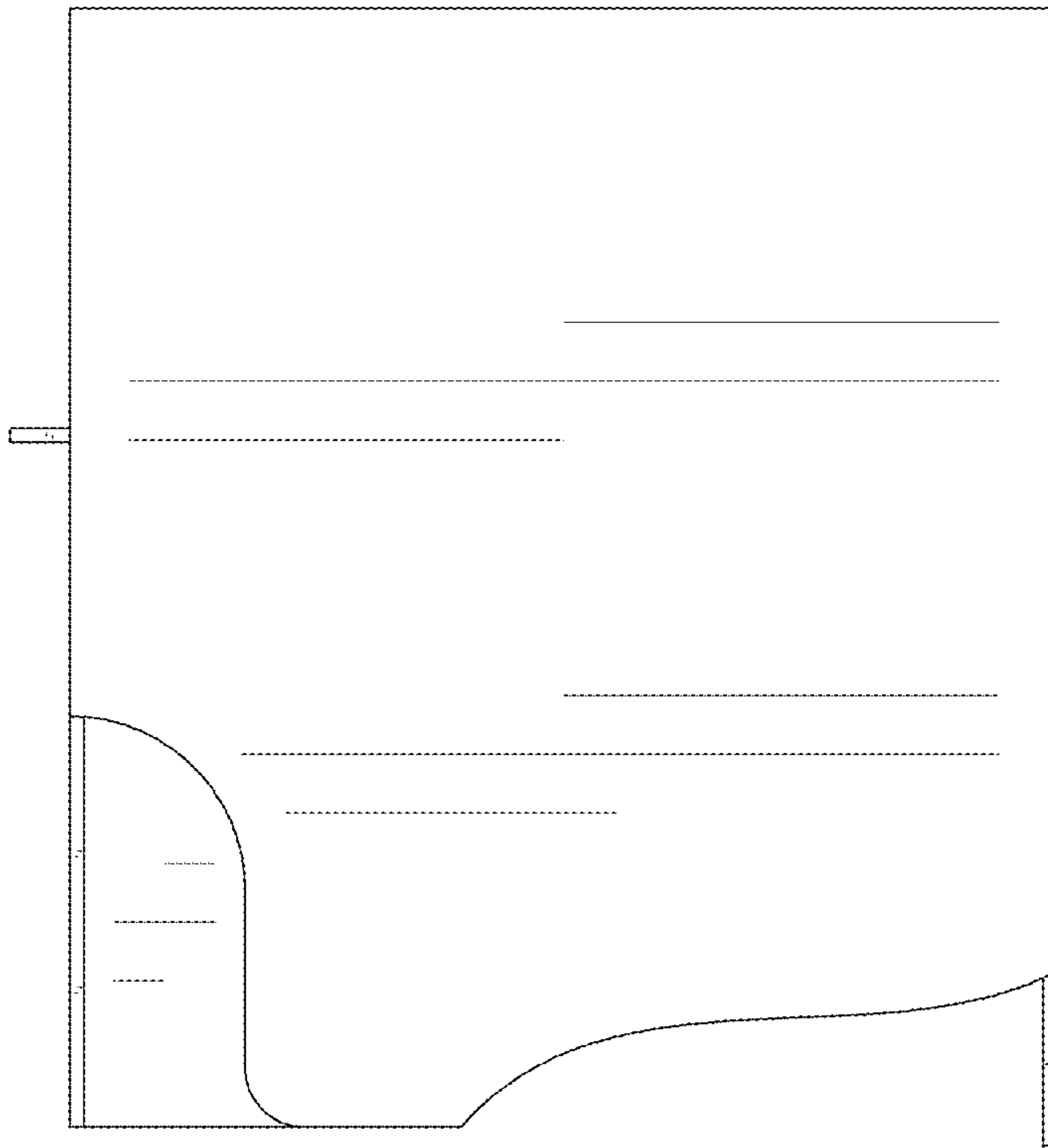


FIG. 5

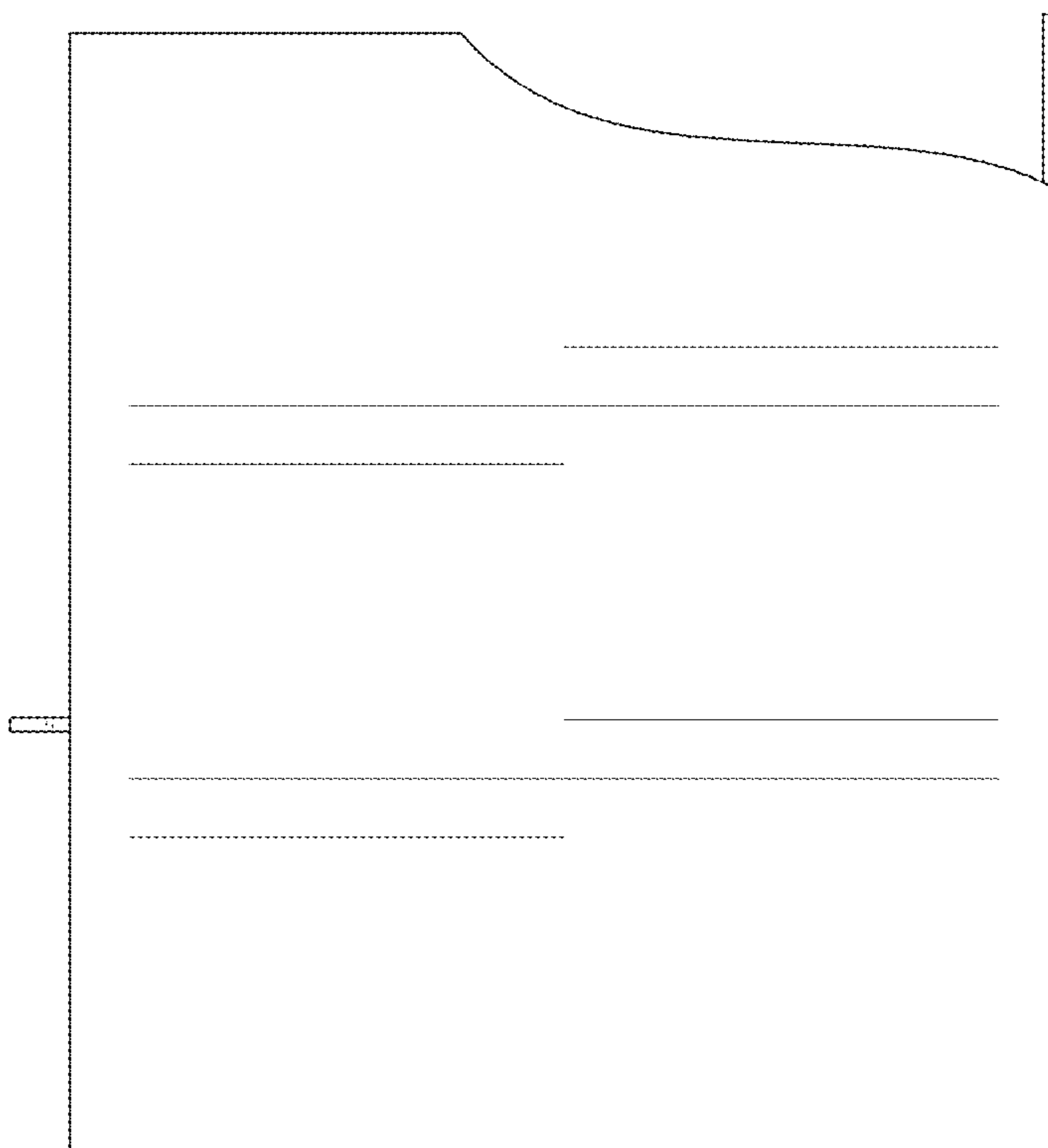


FIG. 6

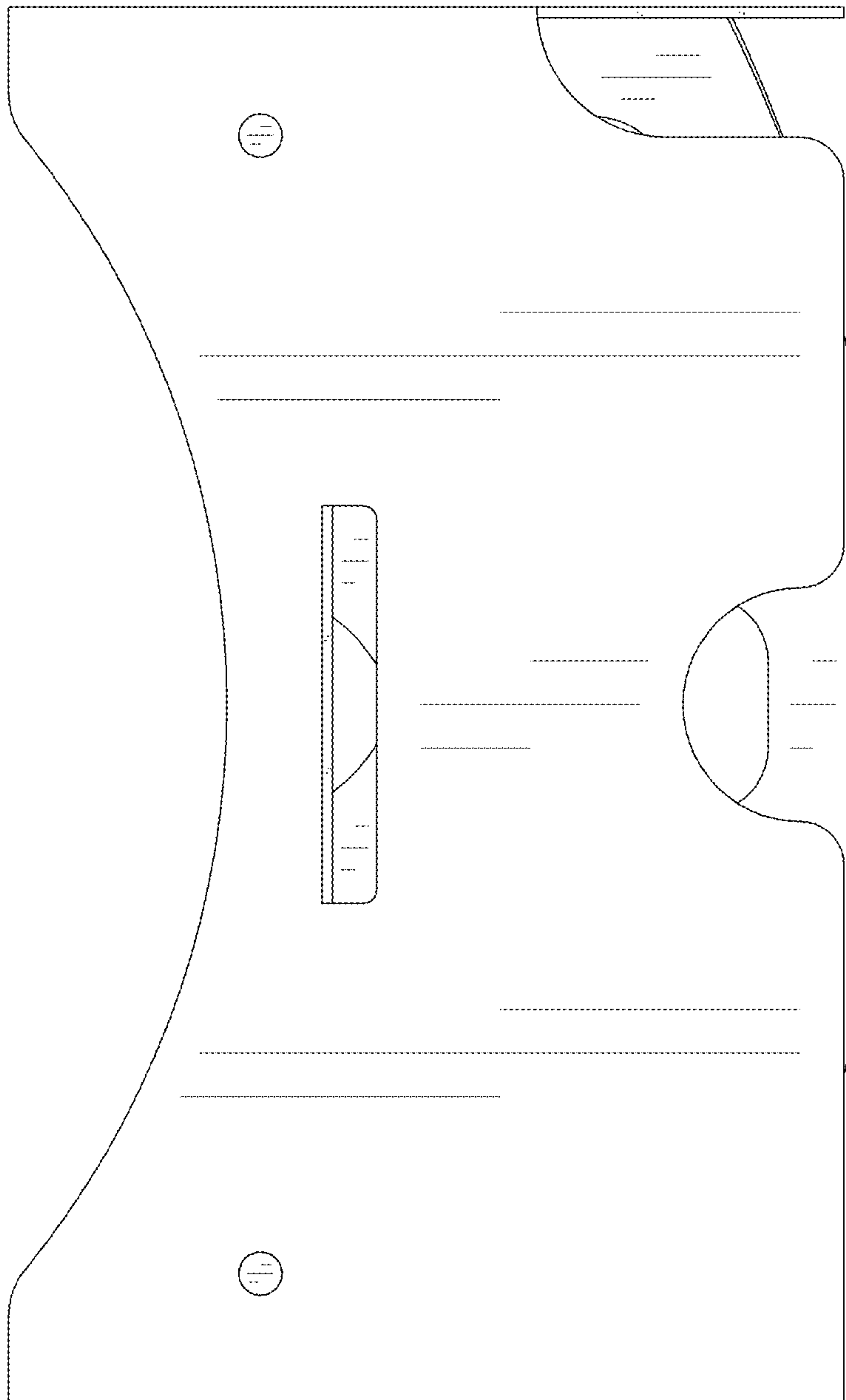


FIG. 7

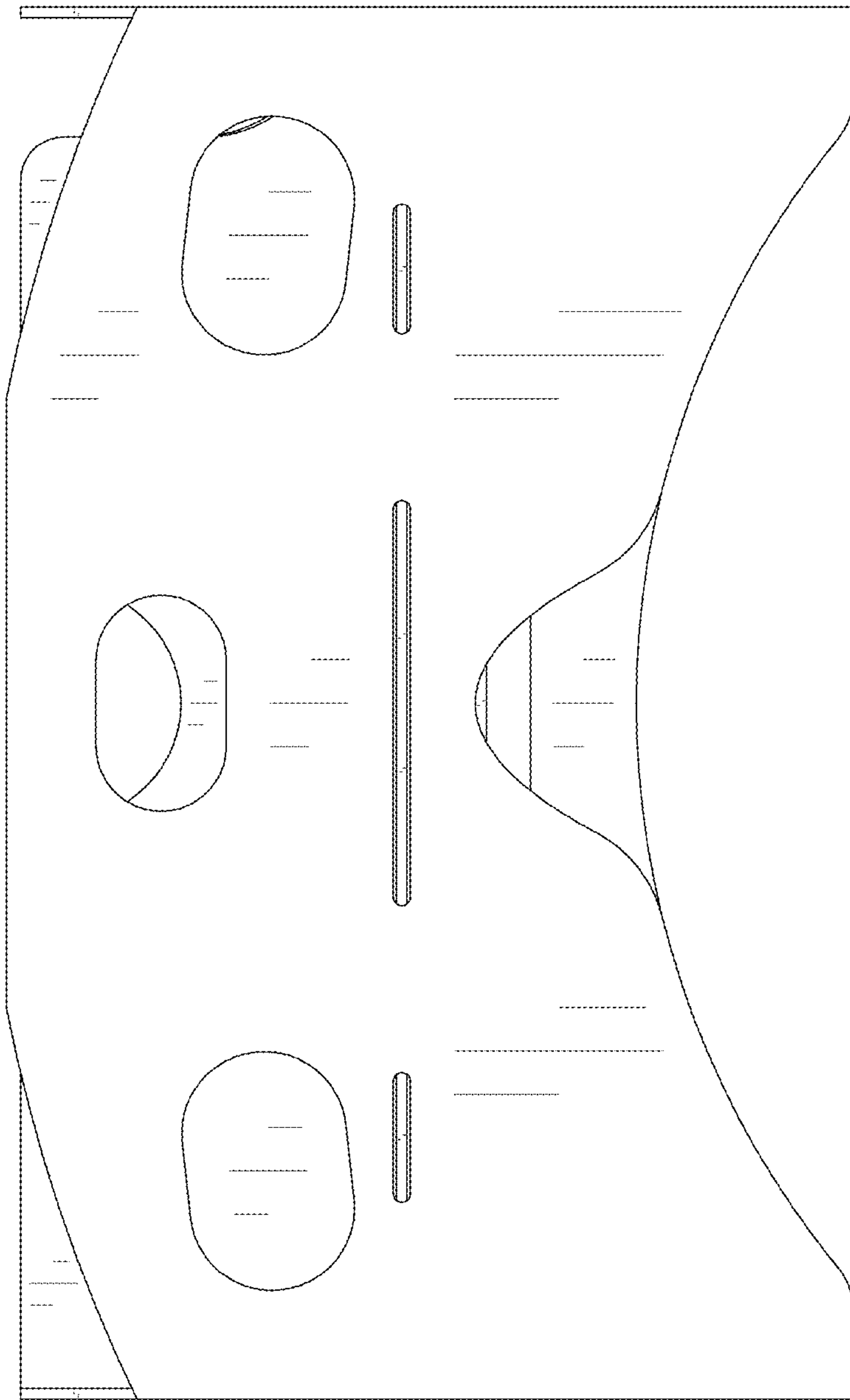


FIG. 8

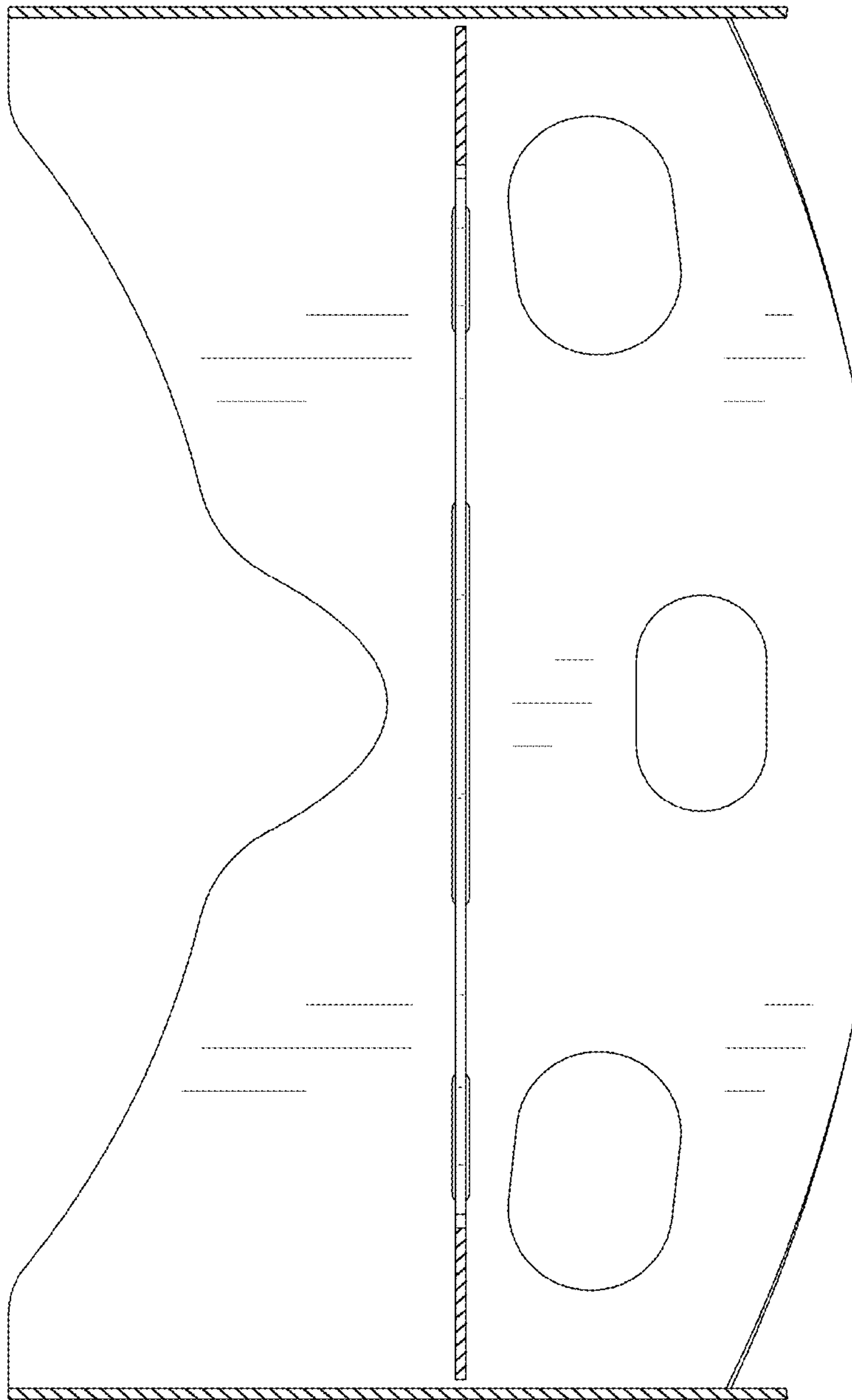


FIG. 9

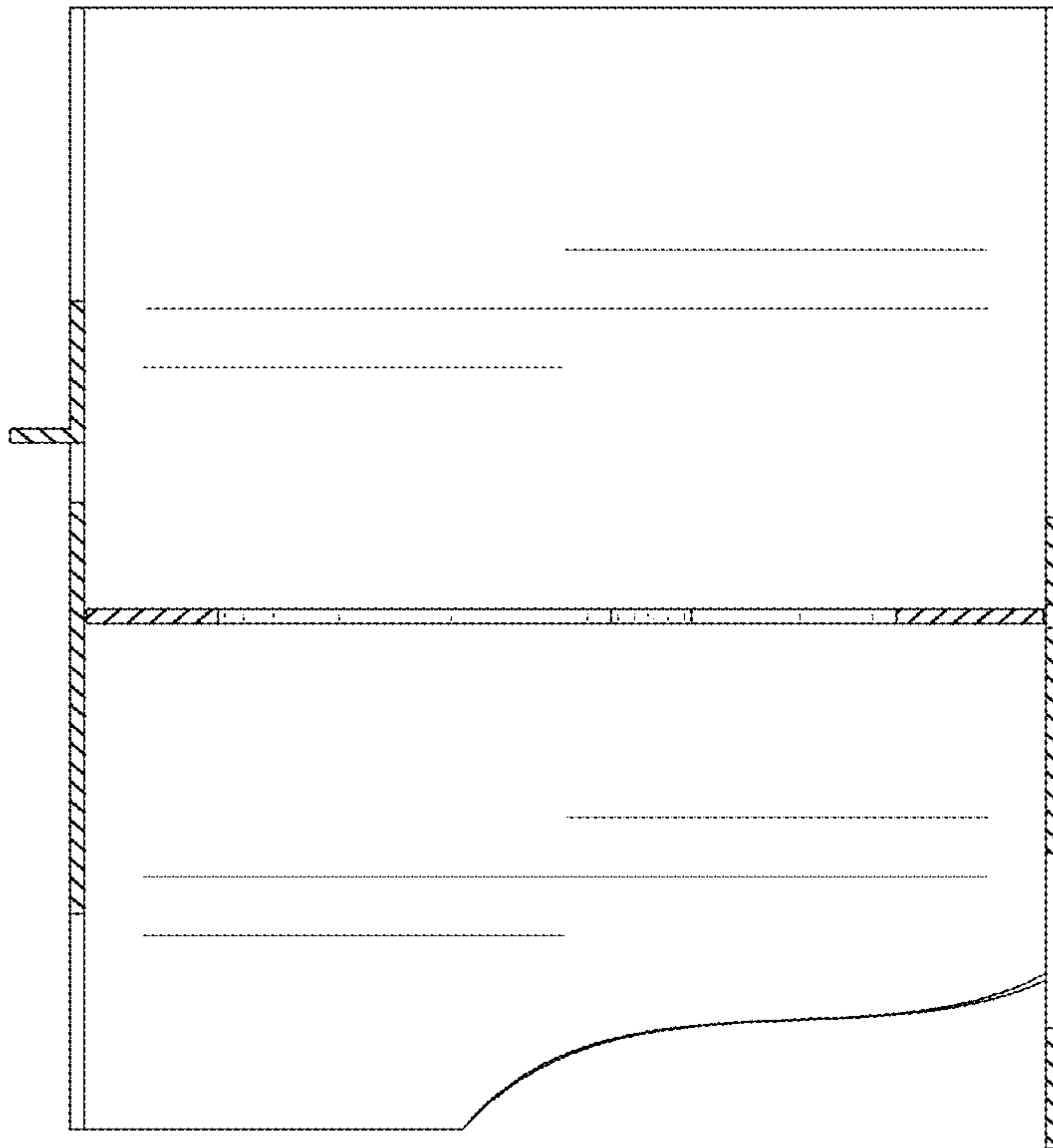


FIG. 10

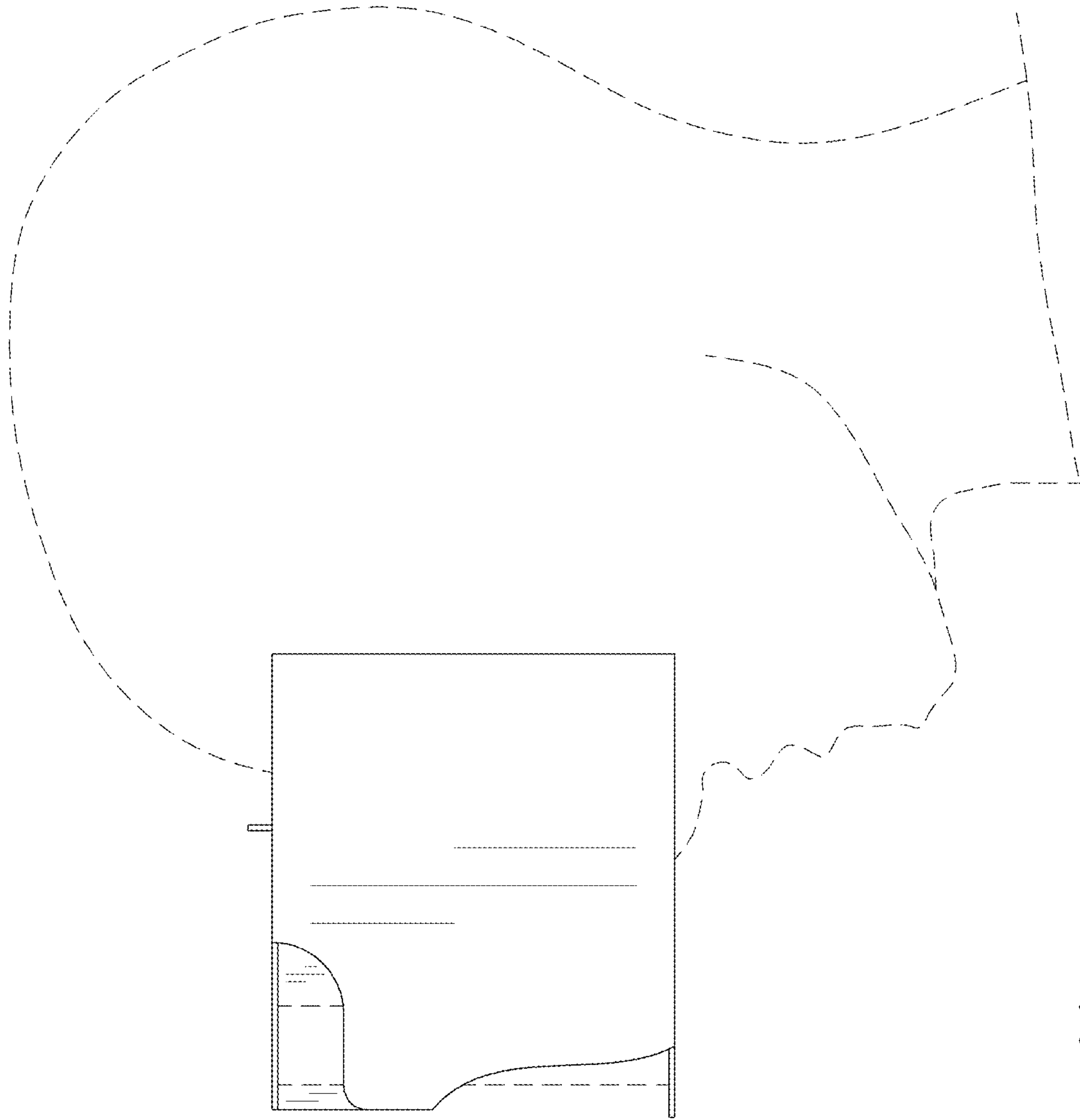


FIG. 11